



US00D691921S

(12) **United States Design Patent**
Kasamatsu

(10) **Patent No.:** **US D691,921 S**
(45) **Date of Patent:** **** Oct. 22, 2013**

(54) **AUTOMOBILE, TOY REPLICA AND/OR
OTHER REPLICAS**

D614,083 S * 4/2010 Wainfan D12/86
D621,750 S * 8/2010 Majdandzic D12/92
D626,033 S * 10/2010 Browne D12/86
D668,581 S * 10/2012 Kim et al. D12/86

(75) Inventor: **Shogo Kasamatsu**, Wako (JP)

* cited by examiner

(73) Assignee: **Honda Motor Co., Ltd.**, Tokyo (JP)

Primary Examiner — Melody Brown

(**) Term: **14 Years**

(74) *Attorney, Agent, or Firm* — Plumsea Law Group, LLC

(21) Appl. No.: **29/419,027**

(22) Filed: **Apr. 24, 2012**

(57) **CLAIM**

The ornamental design for an automobile, toy replica and/or other replica, as shown and described.

(30) **Foreign Application Priority Data**

Oct. 28, 2011 (JP) 2011-024934

DESCRIPTION

(51) **LOC (9) Cl.** **12-08**

(52) **U.S. Cl.**
USPC **D12/86**

(58) **Field of Classification Search**
USPC D12/86, 90-92; D21/424, 433, 434;
296/181.1, 181.5

See application file for complete search history.

FIG. 1 is a perspective view from the front left side of an automobile, toy replica and/or other replicas.
FIG. 2 is a perspective view from the front right side thereof.
FIG. 3 is a front elevation view thereof, the rear view is a mirror image thereof.
FIG. 4 is a left side elevation view thereof.
FIG. 5 is a right side elevation view thereof; and,
FIG. 6 is a top plan view thereof.
The portion of the article shown in broken lines is for the purpose of showing environmental structure only and forms no part of the claimed design.

(56) **References Cited**

U.S. PATENT DOCUMENTS

D396,662 S * 8/1998 Belker et al. D12/86
D495,275 S * 8/2004 Castiglione et al. D12/86

1 Claim, 6 Drawing Sheets

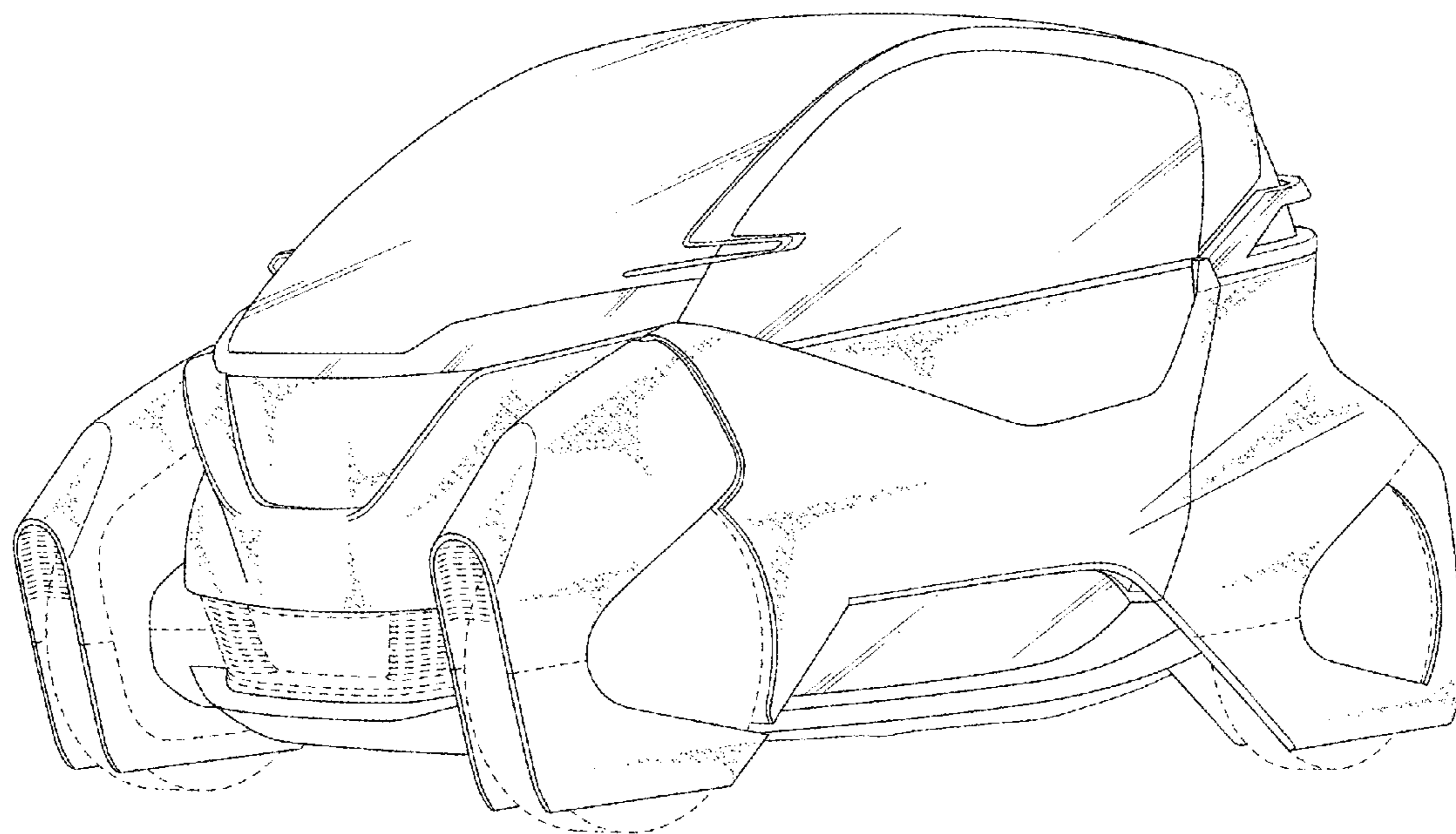


FIG. 1

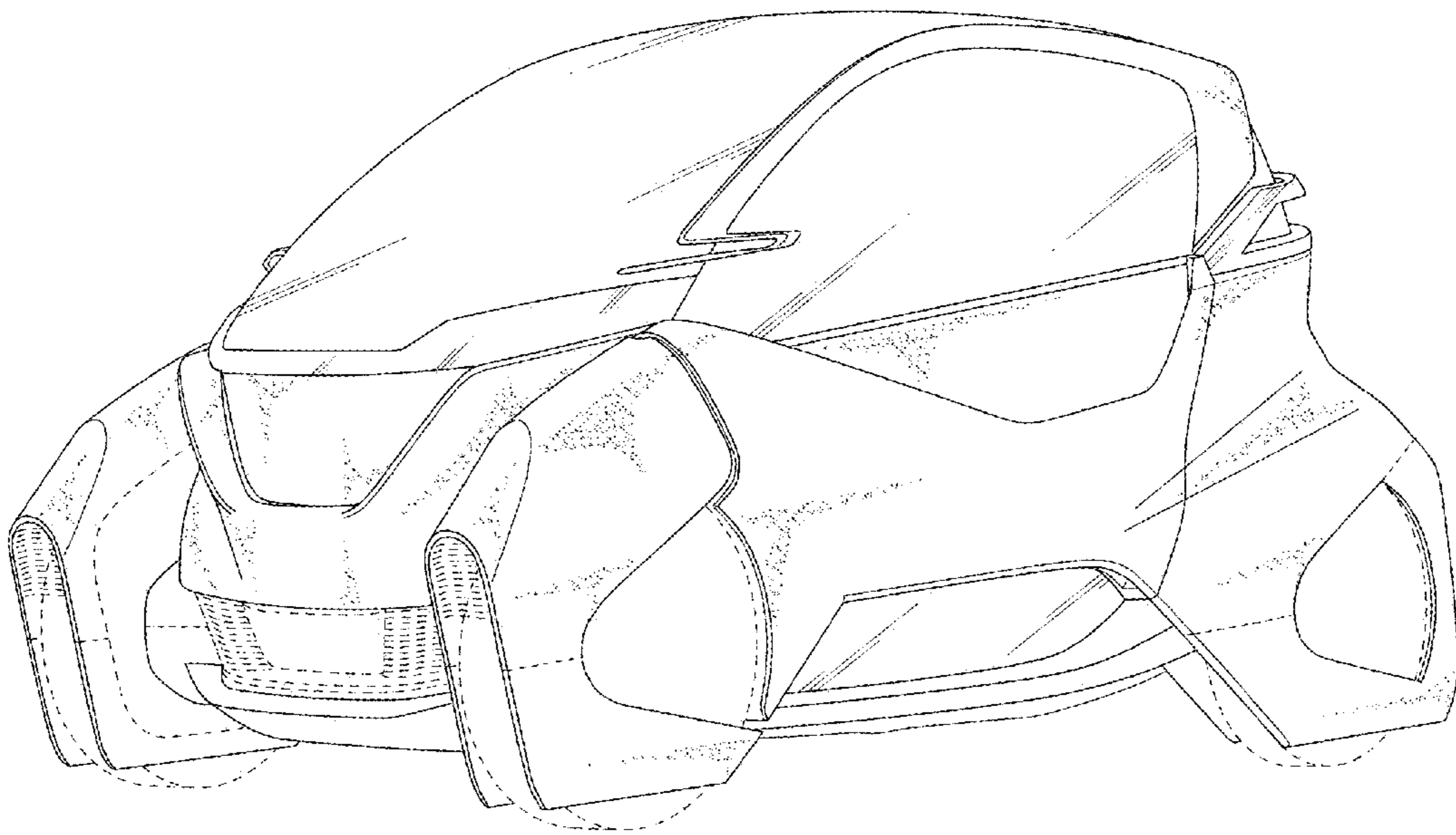


FIG. 2

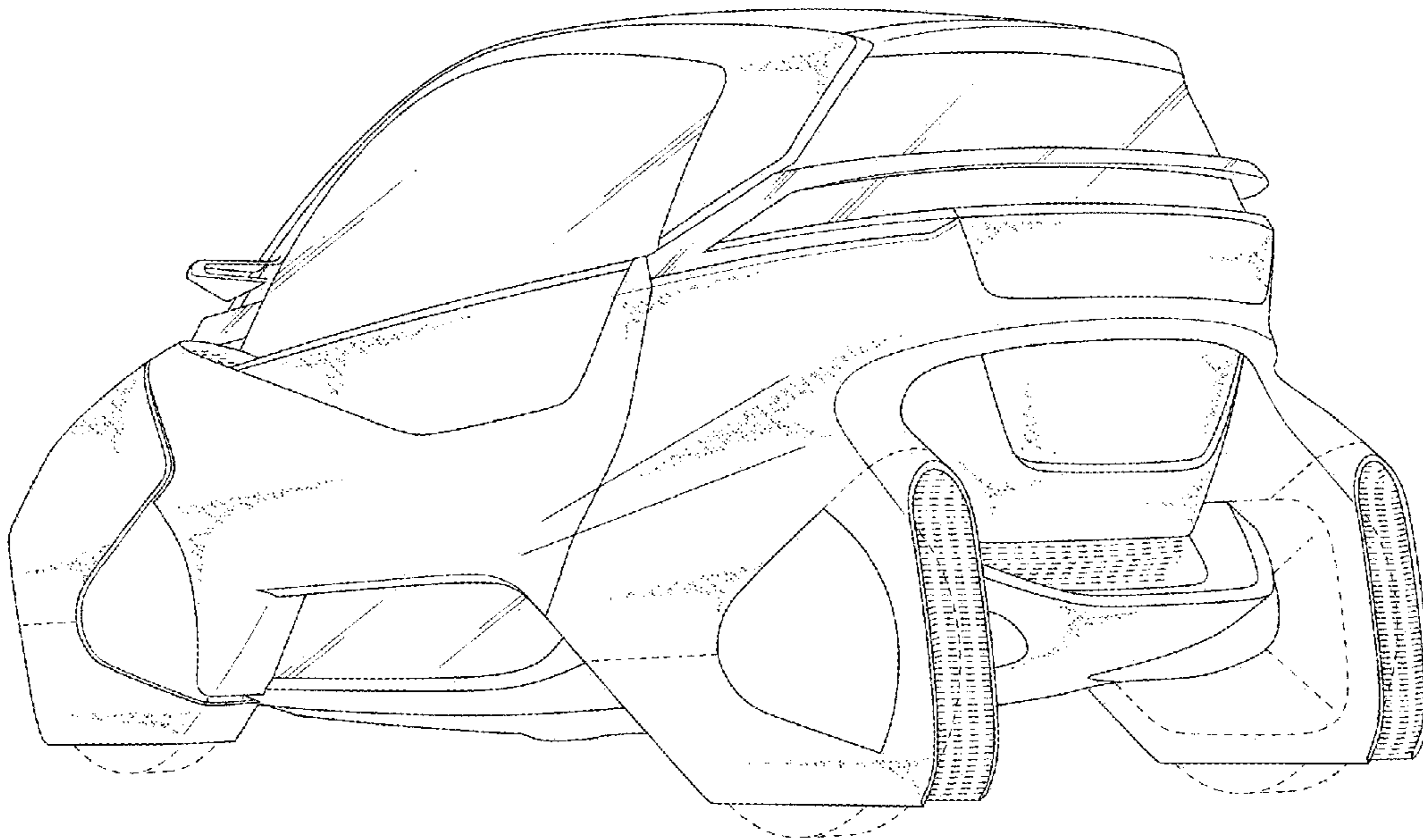


FIG. 3

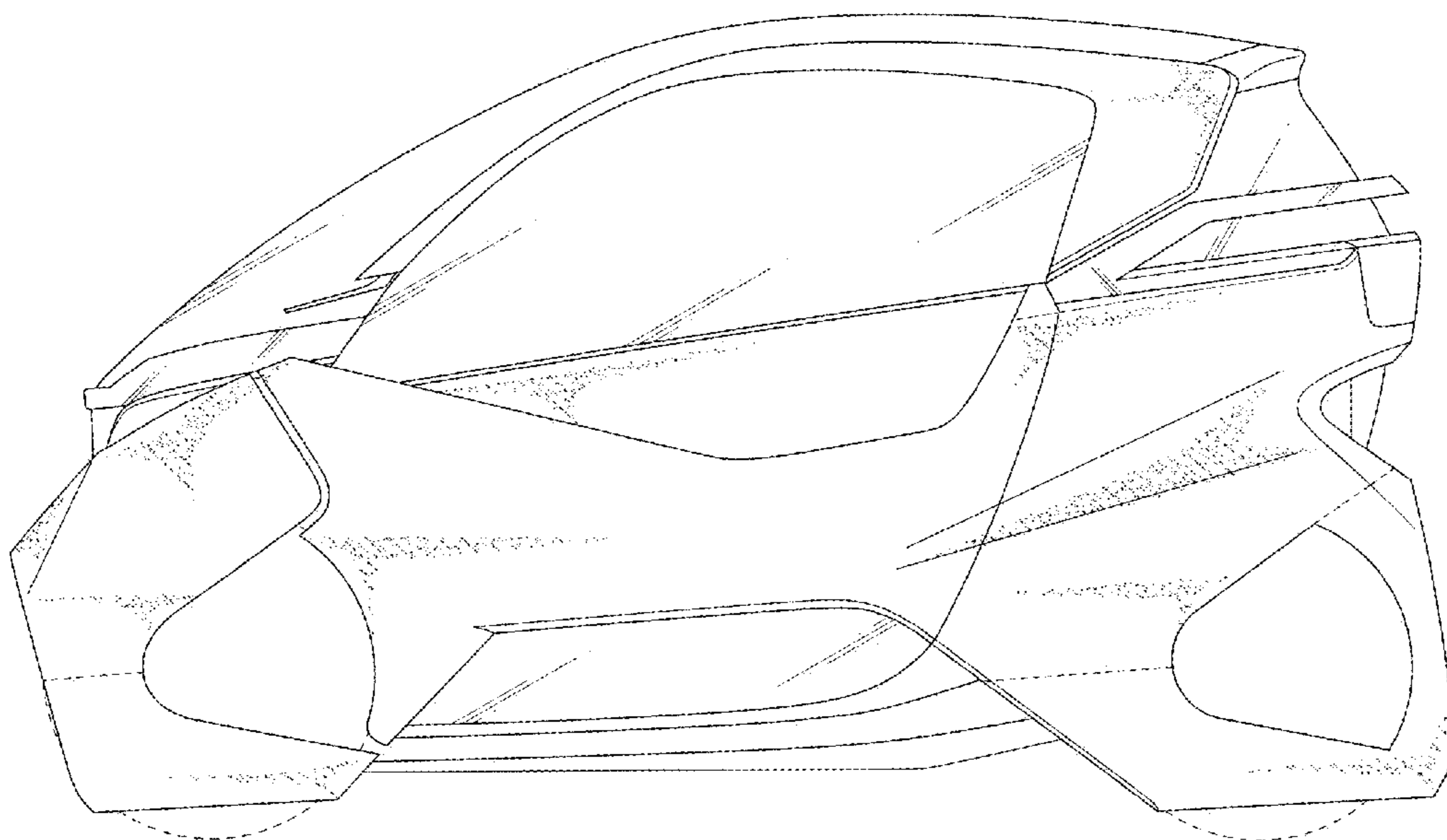


FIG. 4

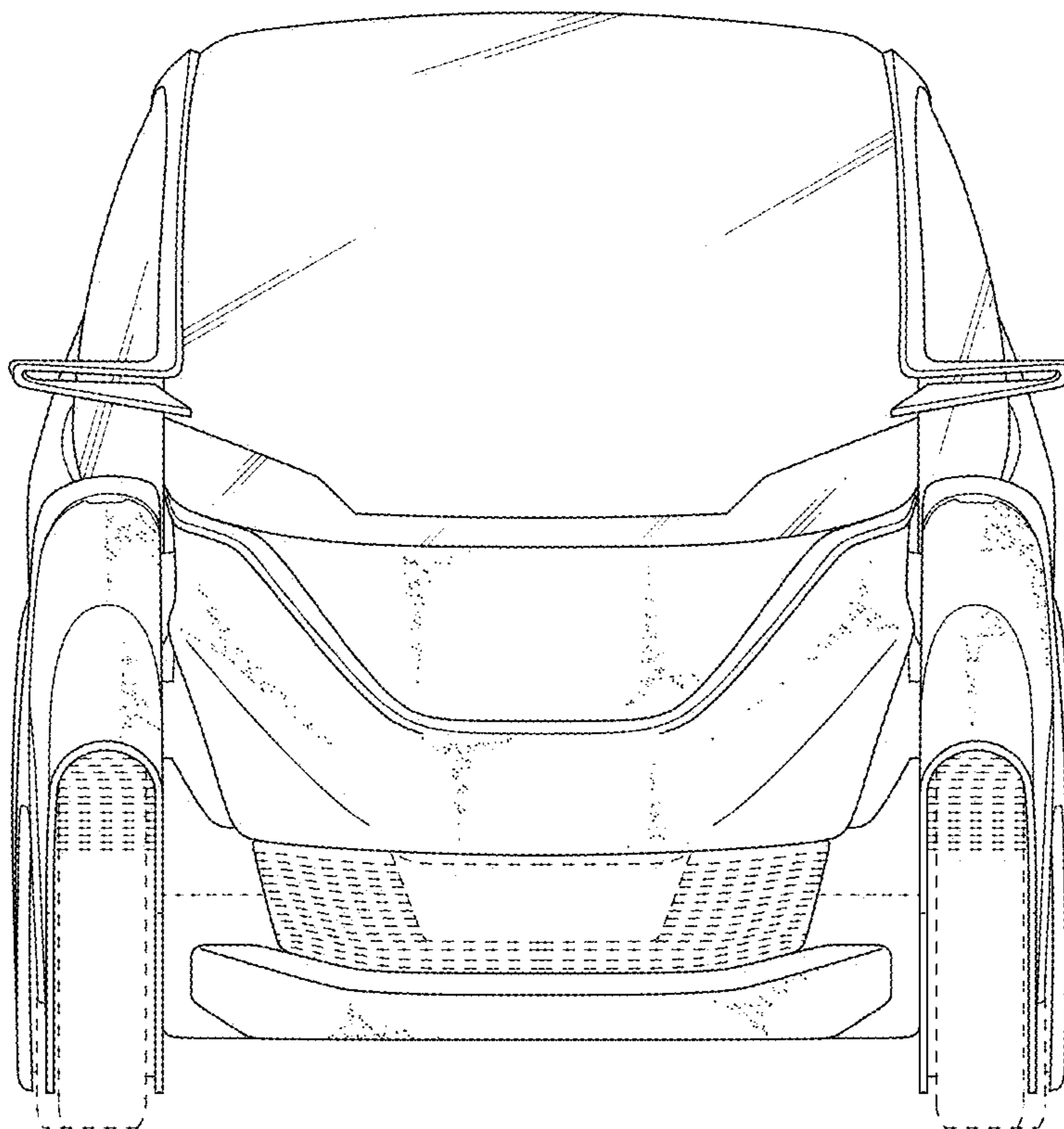


FIG. 5

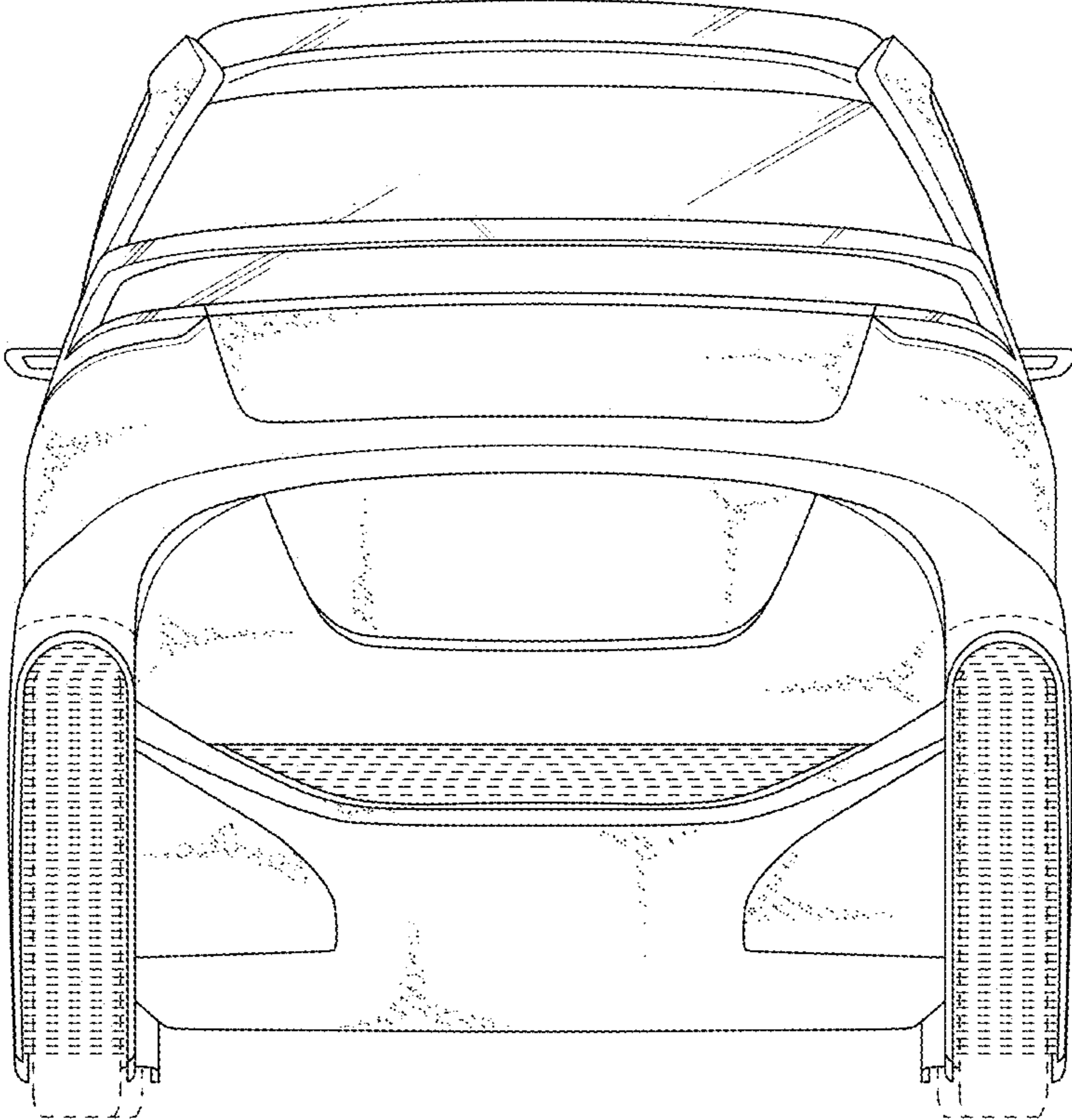


FIG. 6

