



US00D691920S

(12) **United States Design Patent**
Smith

(10) **Patent No.:** **US D691,920 S**

(45) **Date of Patent:** **** Oct. 22, 2013**

(54) **GOLF ACCESSORY BELT BUCKLE**

D613,201 S * 4/2010 Orr D11/231
D641,661 S * 7/2011 Zhang D11/231
D668,997 S * 10/2012 Douglas D11/231

(71) Applicant: **Colin Smith**, Las Vegas, NV (US)

* cited by examiner

(72) Inventor: **Colin Smith**, Las Vegas, NV (US)

Primary Examiner — T. Chase Nelson

(**) Term: **14 Years**

Assistant Examiner — Mark Cavanna

(21) Appl. No.: **29/439,824**

(74) *Attorney, Agent, or Firm* — QuickPatents; Kevin Prince

(22) Filed: **Dec. 14, 2012**

(57) **CLAIM**

(51) **LOC (9) Cl.** **02-07**

I claim the ornamental design for a golf accessory belt buckle, as shown and described.

(52) **U.S. Cl.**

USPC **D11/231**

(58) **Field of Classification Search**

USPC D11/200–241; 24/303, 307; 224/163,
224/183, 918–919, 223, 673, 681; 40/640,
40/661.02, 1.5; D2/625–627; 473/406

See application file for complete search history.

DESCRIPTION

(56) **References Cited**

U.S. PATENT DOCUMENTS

D159,033 S * 6/1950 Yarbrough D11/238
D159,621 S * 8/1950 Howard D11/238
3,136,547 A * 6/1964 Schaper 473/406
3,208,123 A * 9/1965 Koos 224/183
6,253,974 B1 * 7/2001 Park 224/163
D474,130 S * 5/2003 Rezanian D11/231
D501,426 S * 2/2005 Robbins D11/238
D501,427 S * 2/2005 Robbins D11/238

FIG. 1 is an exploded perspective view of a golf accessory belt buckle, showing my new design;

FIG. 2 is a perspective view thereof;

FIG. 3 is an exploded front elevational view of FIG. 1;

FIG. 4 is an exploded rear elevational view of FIG. 1;

FIG. 5 is an exploded left-side elevational view of FIG. 1;

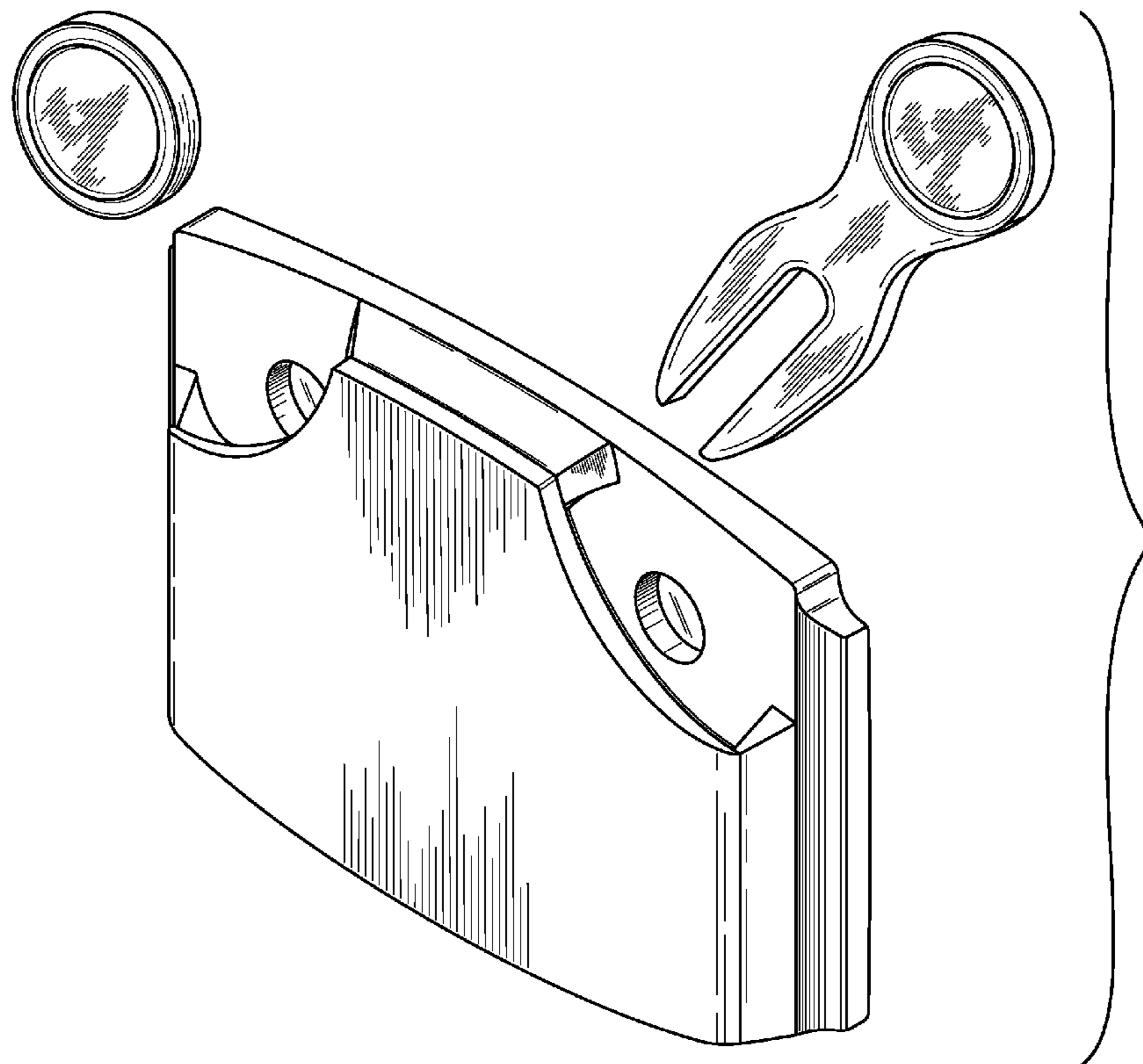
FIG. 6 is an exploded right-side elevational view of FIG. 1;

FIG. 7 is an exploded top plan view of FIG. 1; and,

FIG. 8 is an exploded bottom plan view of FIG. 1.

The broken line boundaries in FIG. 7 define portions of the golf accessory belt buckle that are not claimed. The broken lines and surfaces they enclose form no part of the claimed design.

1 Claim, 6 Drawing Sheets



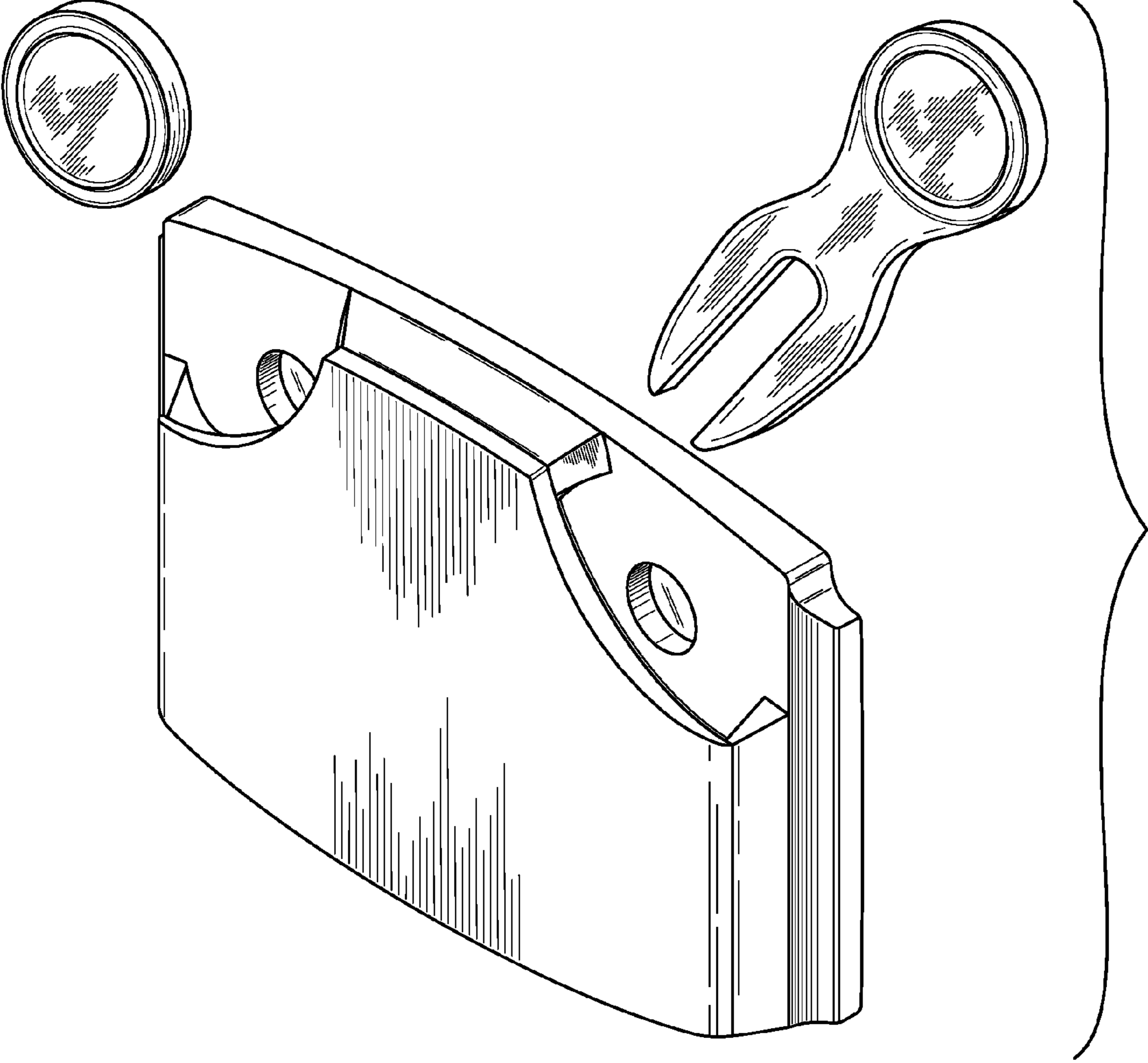


FIG. 1

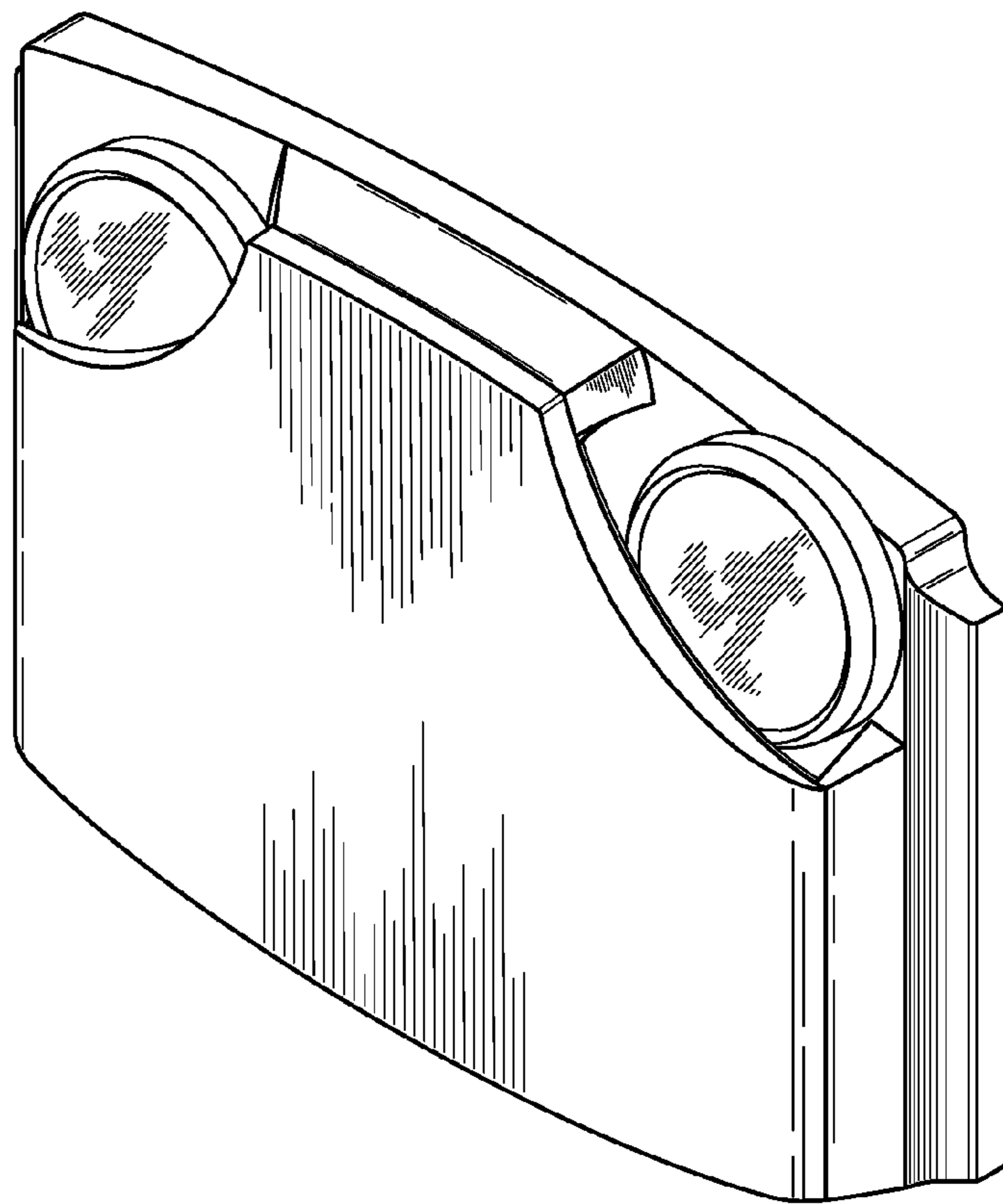


FIG. 2

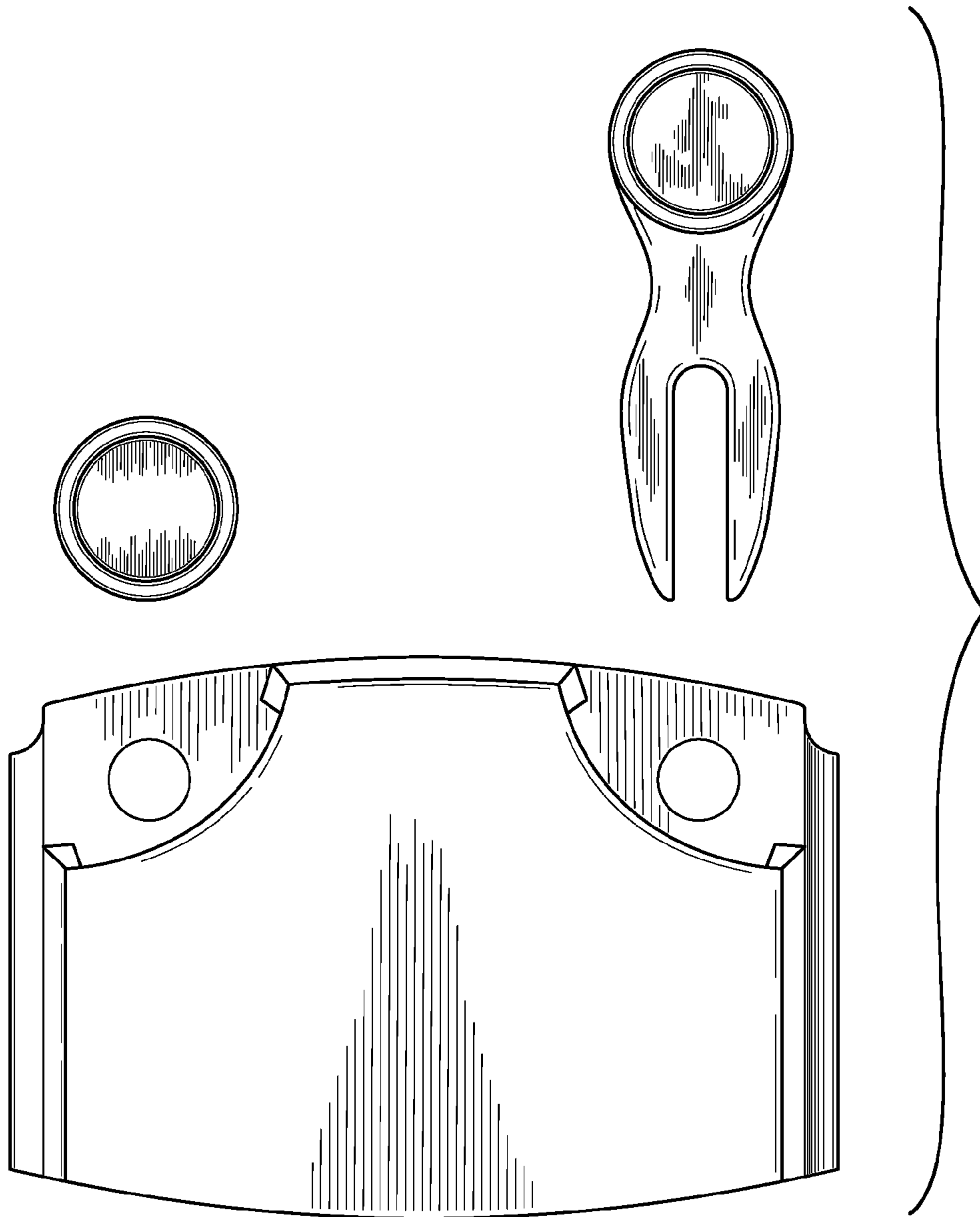


FIG. 3

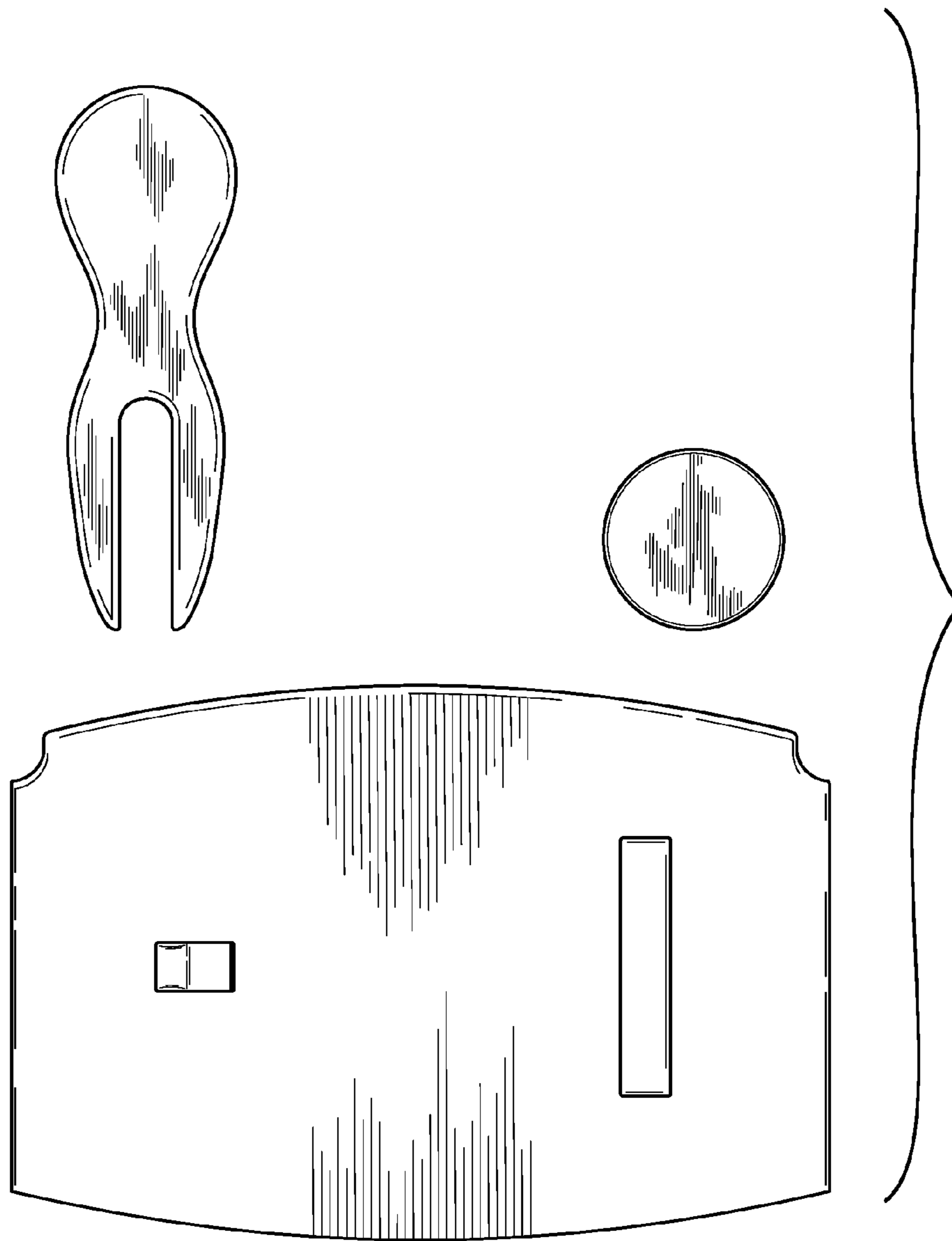


FIG. 4

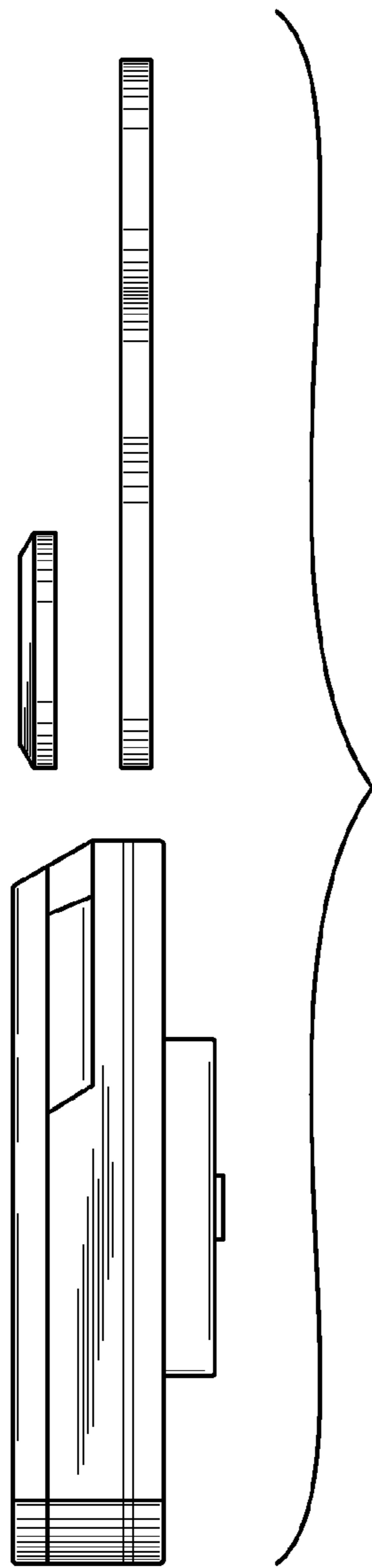


FIG. 5

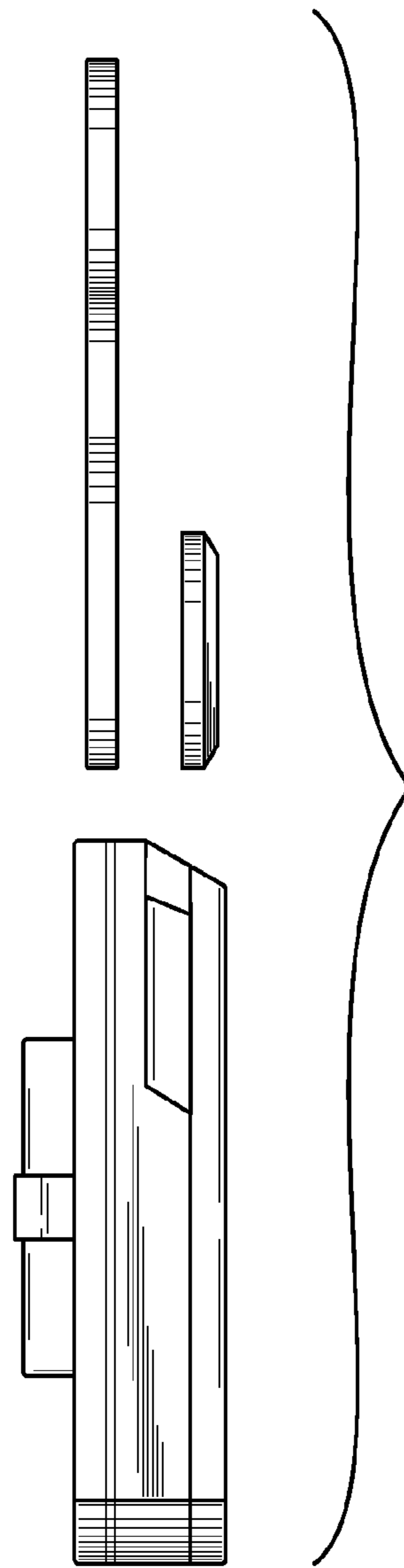


FIG. 6

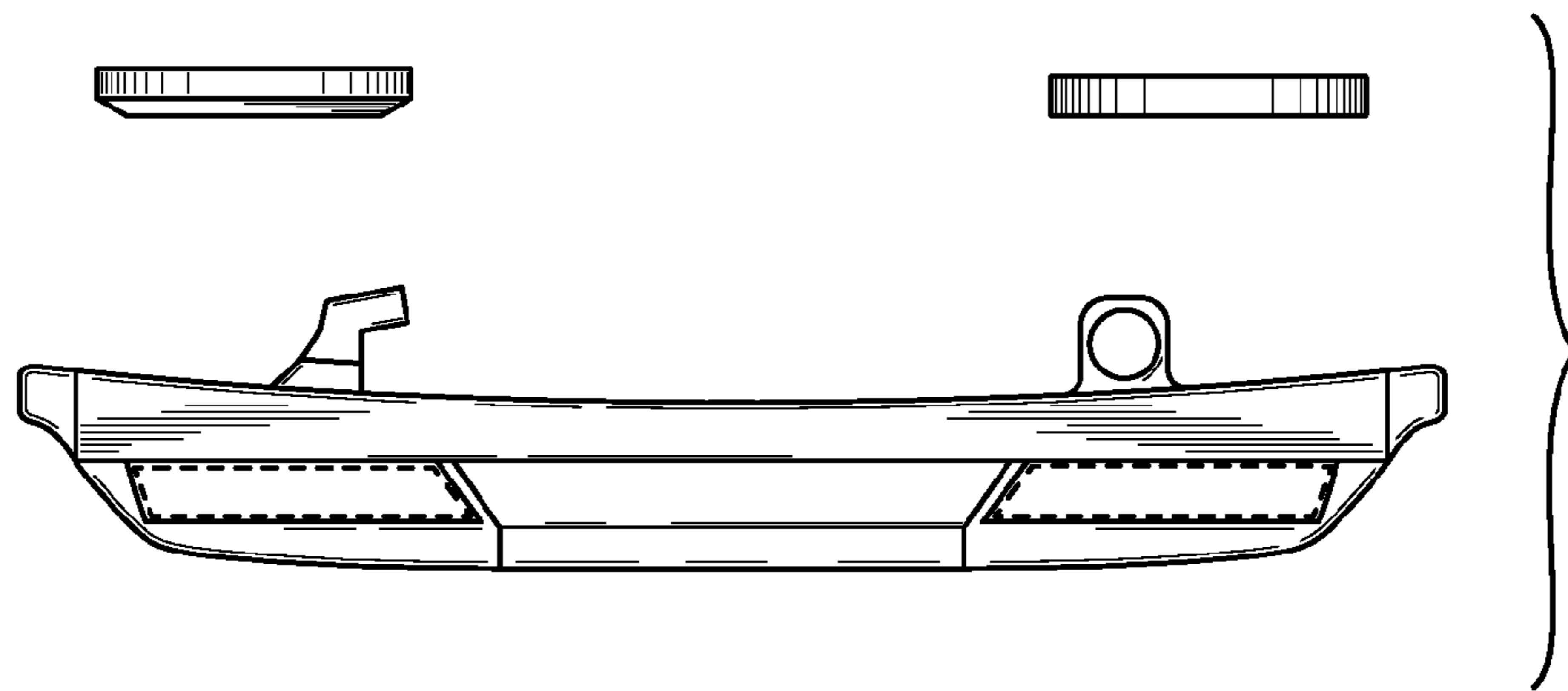


FIG. 7

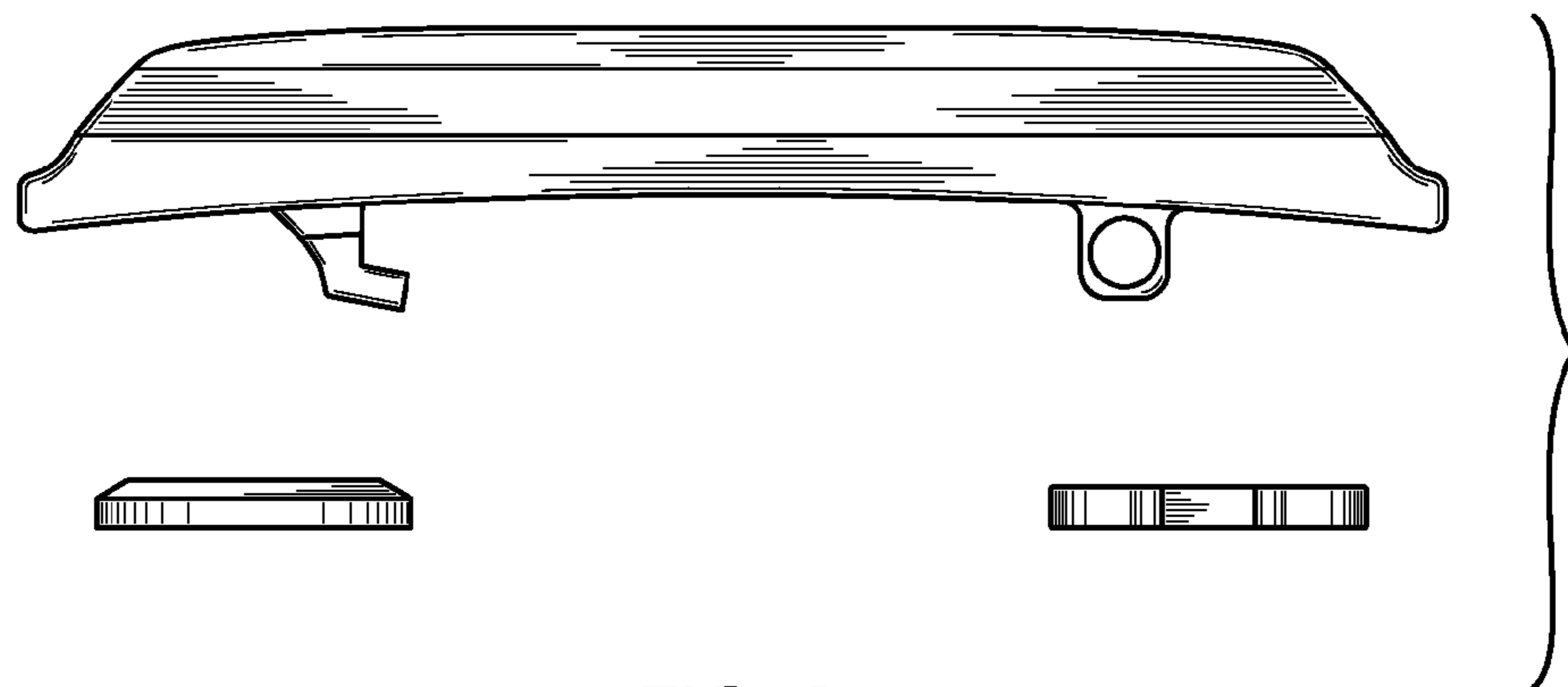


FIG. 8