



US00D691919S

(12) **United States Design Patent**
Keyaki et al.

(10) **Patent No.:** **US D691,919 S**
(45) **Date of Patent:** **** Oct. 22, 2013**

(54) **PULL TAB OF SLIDER FOR SLIDE FASTENER**

D607,777 S * 1/2010 Lobel D11/221
D646,196 S * 10/2011 Yamagishi D11/221
D671,451 S 11/2012 Keyaki et al.

(71) Applicant: **YKK Corporation**, Tokyo (JP)

* cited by examiner

(72) Inventors: **Keiichi Keyaki**, Toyama (JP); **Yohei Miyazaki**, Toyama (JP)

Primary Examiner — Ralf Seifert

(73) Assignee: **YKK Corporation** (JP)

(74) *Attorney, Agent, or Firm* — Kilpatrick Townsend Stockton LLP

(**) Term: **14 Years**

(57) **CLAIM**

(21) Appl. No.: **29/446,745**

The ornamental design for a pull tab of a slider for a slide fastener, as shown and described.

(22) Filed: **Feb. 27, 2013**

DESCRIPTION

(30) **Foreign Application Priority Data**

Aug. 28, 2012 (JP) 2012-020574

(51) **LOC (9) Cl.** **02-07**

(52) **U.S. Cl.**
USPC **D11/221**

(58) **Field of Classification Search**
USPC D11/200, 201, 221; 24/381–383,
24/385–387, 414–417, 421–422, 427–431,
24/433; 2/265
See application file for complete search history.

FIG. 1 is a first perspective view of the front, bottom and right side of a pull tab of a slider for a slide fastener showing my (our) new design;
FIG. 2 is a second perspective view of the rear, bottom and left side thereof;
FIG. 3 is a front view thereof;
FIG. 4 is a rear view thereof;
FIG. 5 is a right side view thereof, the left side view being mirror image thereof;
FIG. 6 is a top plan view thereof;
FIG. 7 is a bottom view thereof; and,
FIG. 8 is a reference view of usage.

The portions of the article in broken lines are shown for illustrative purposes only and form no part of the claimed design.

(56) **References Cited**

U.S. PATENT DOCUMENTS

D392,595 S * 3/1998 Moor D11/221
D579,376 S * 10/2008 Hsiao D11/221

1 Claim, 7 Drawing Sheets

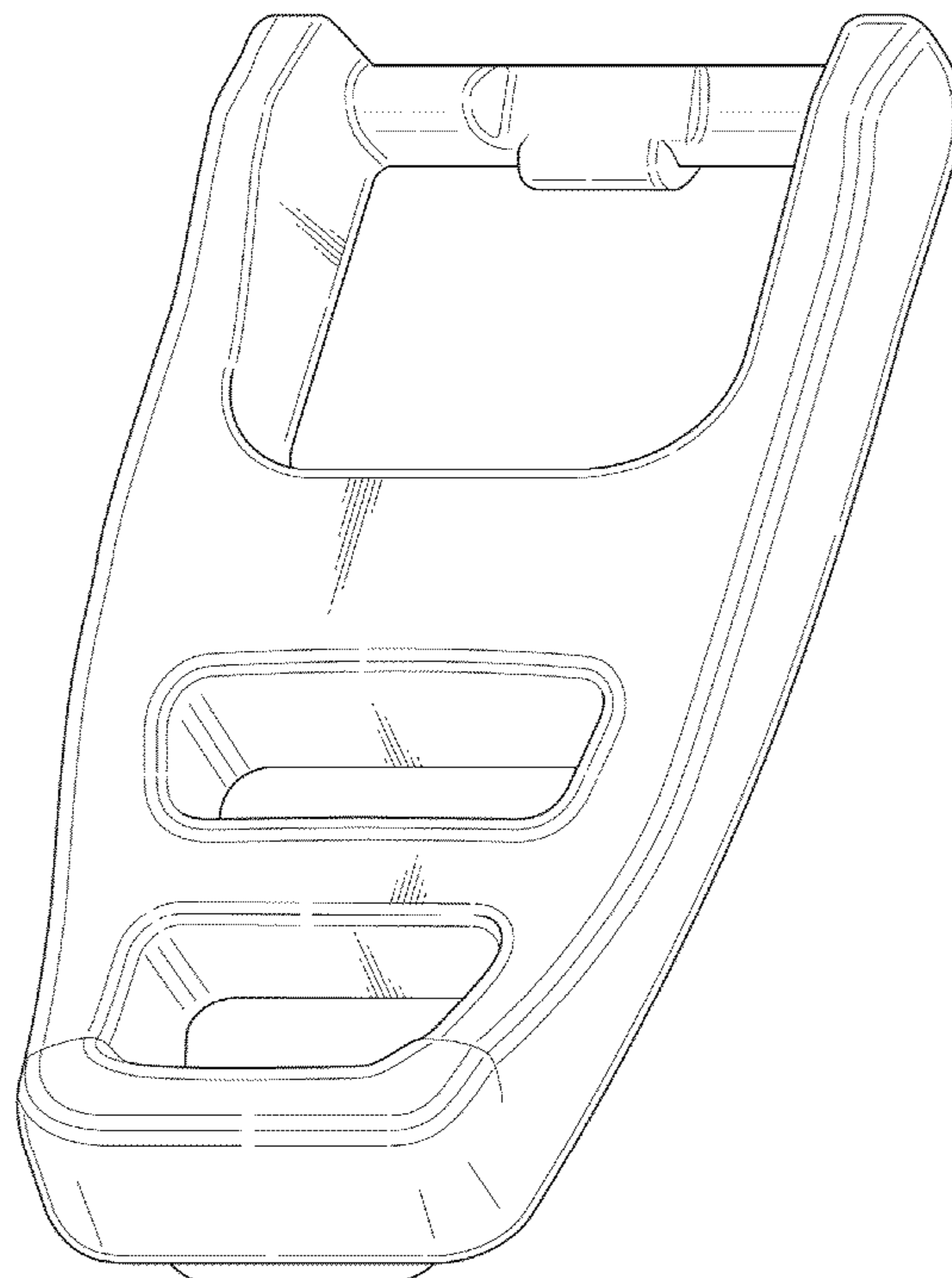


Fig. 1

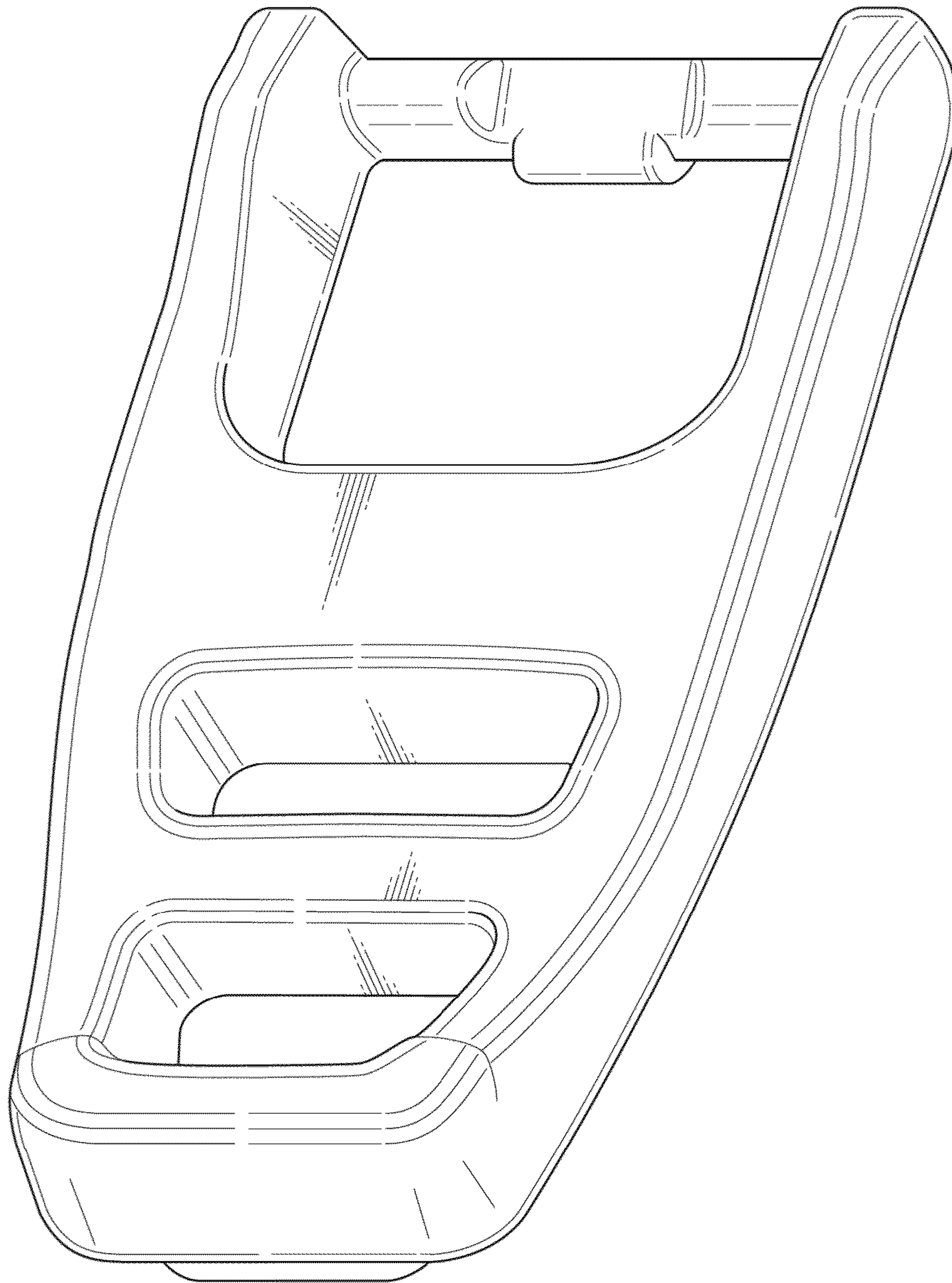


Fig. 2

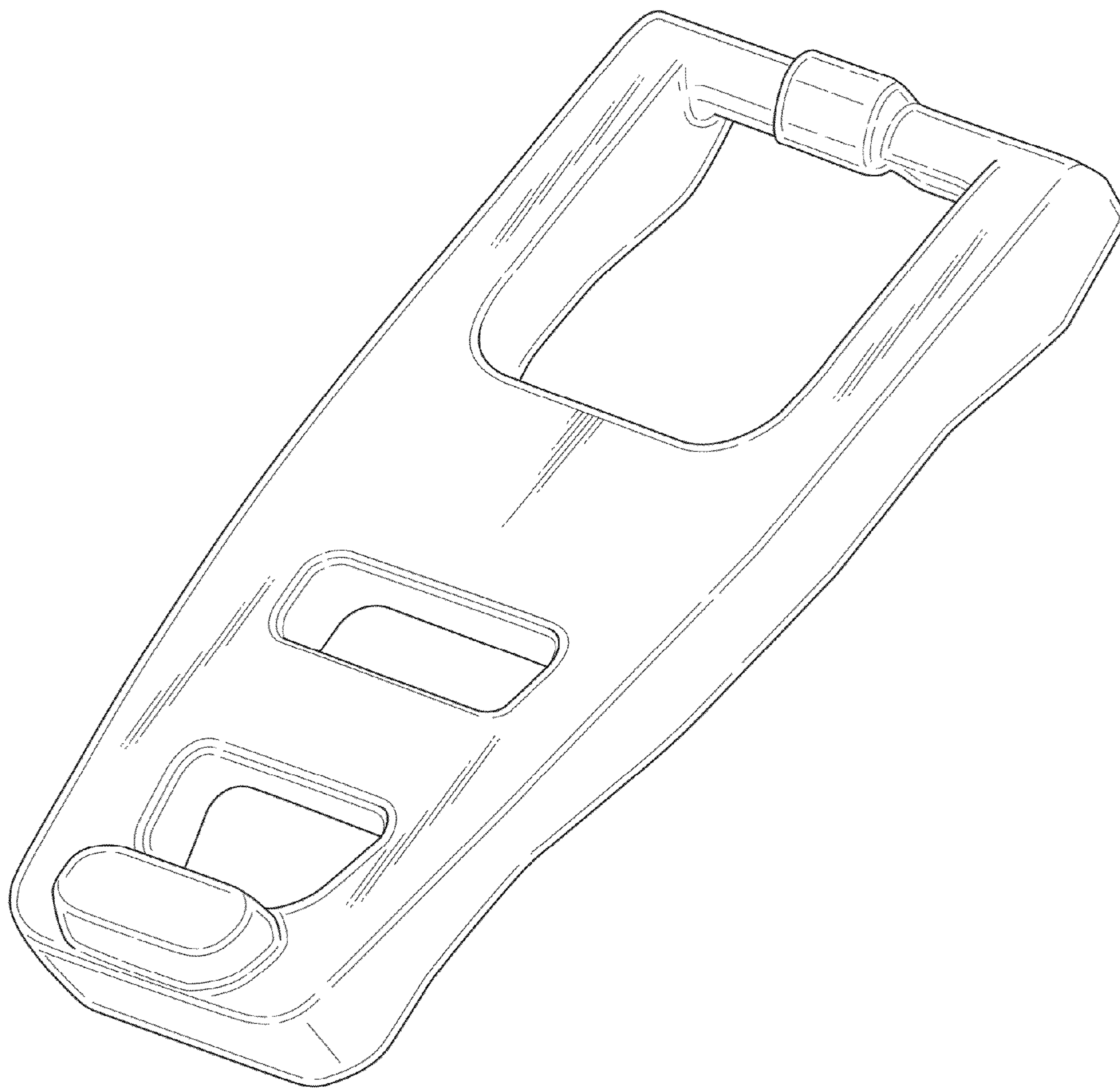


Fig. 3

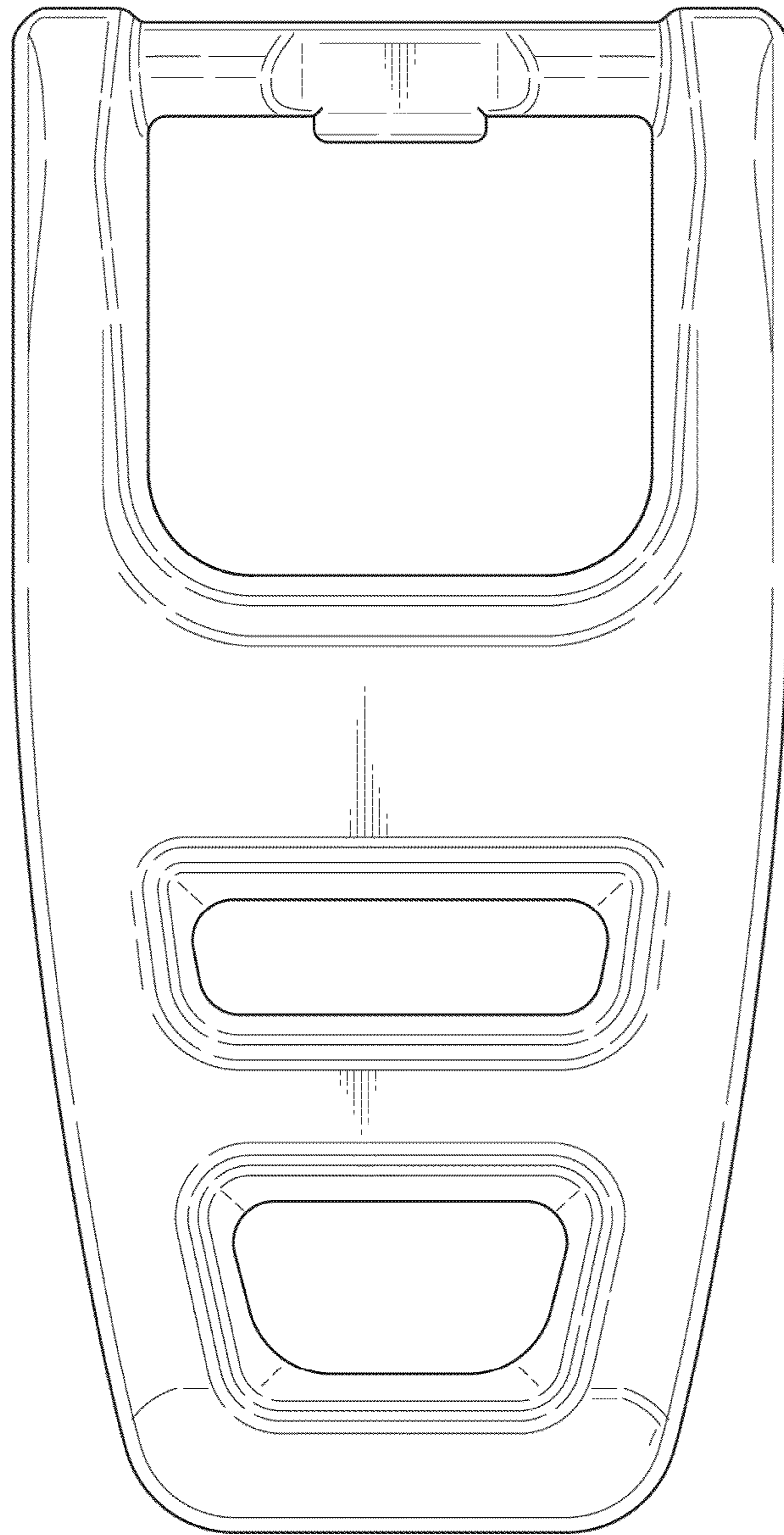


Fig. 4

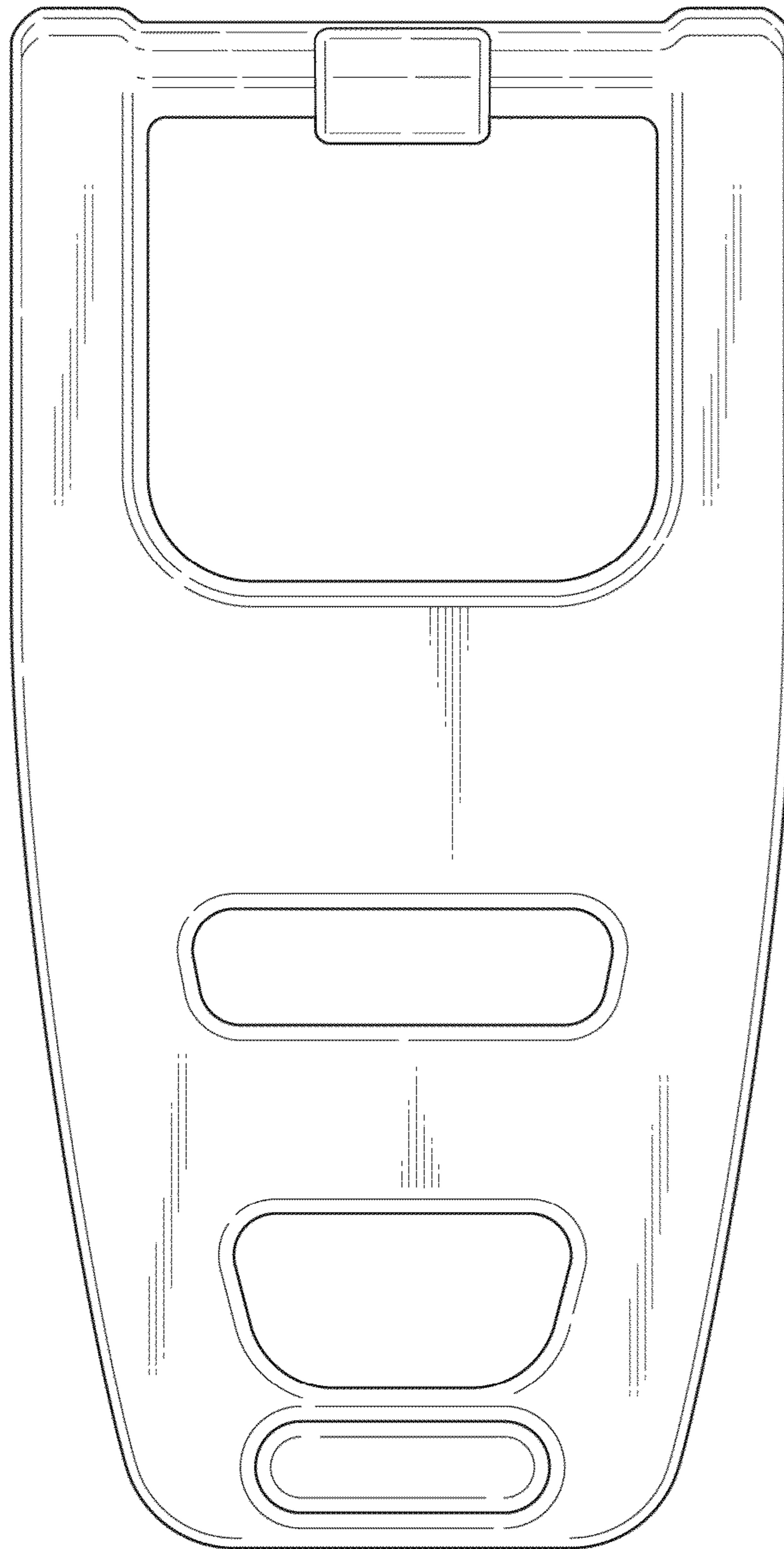


Fig. 5

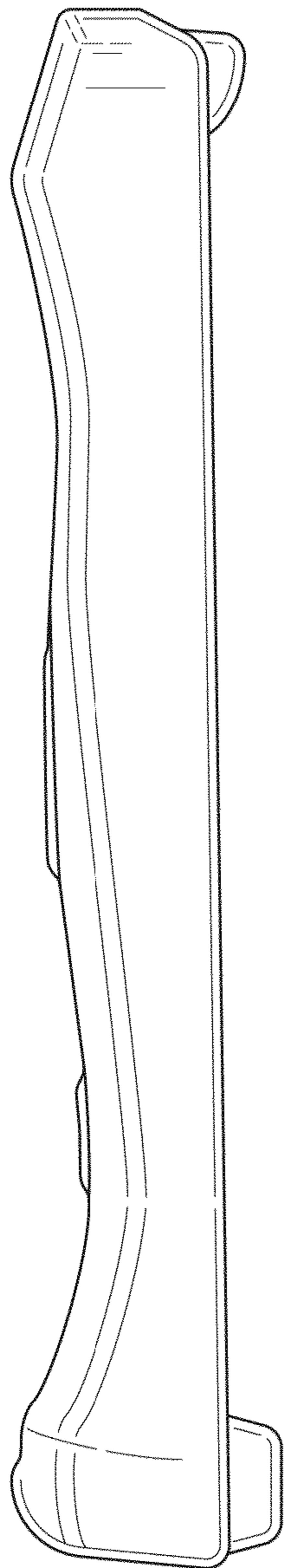


Fig. 6

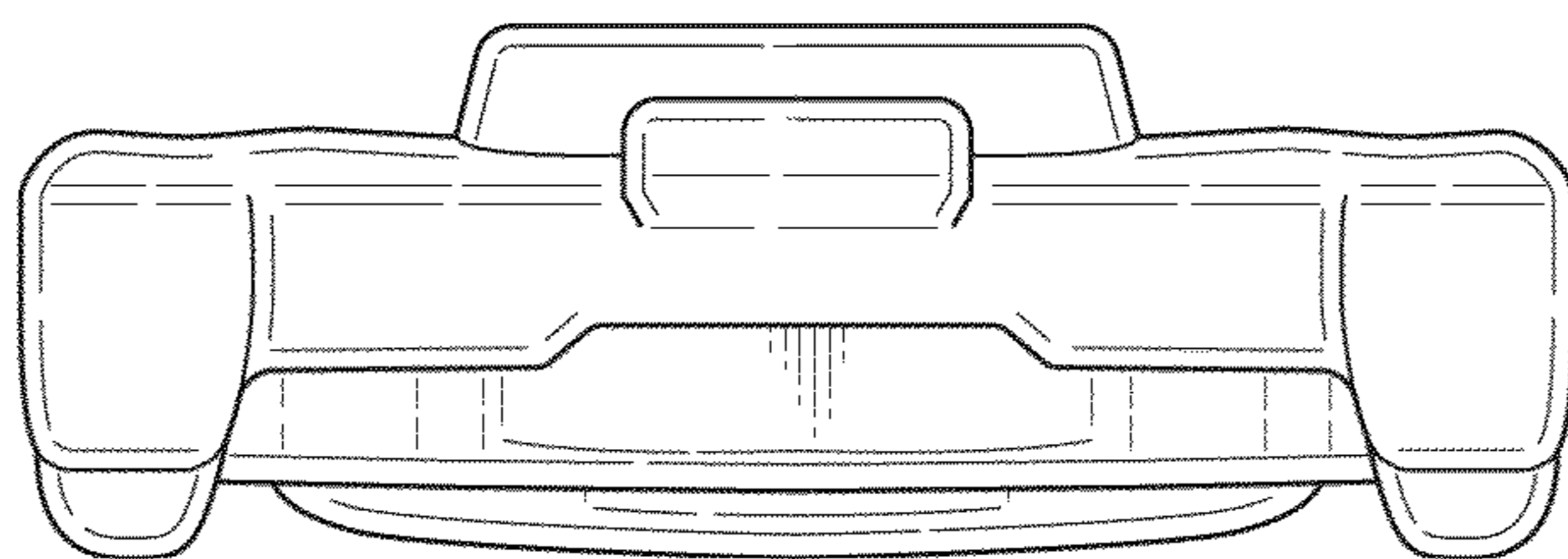


Fig. 7

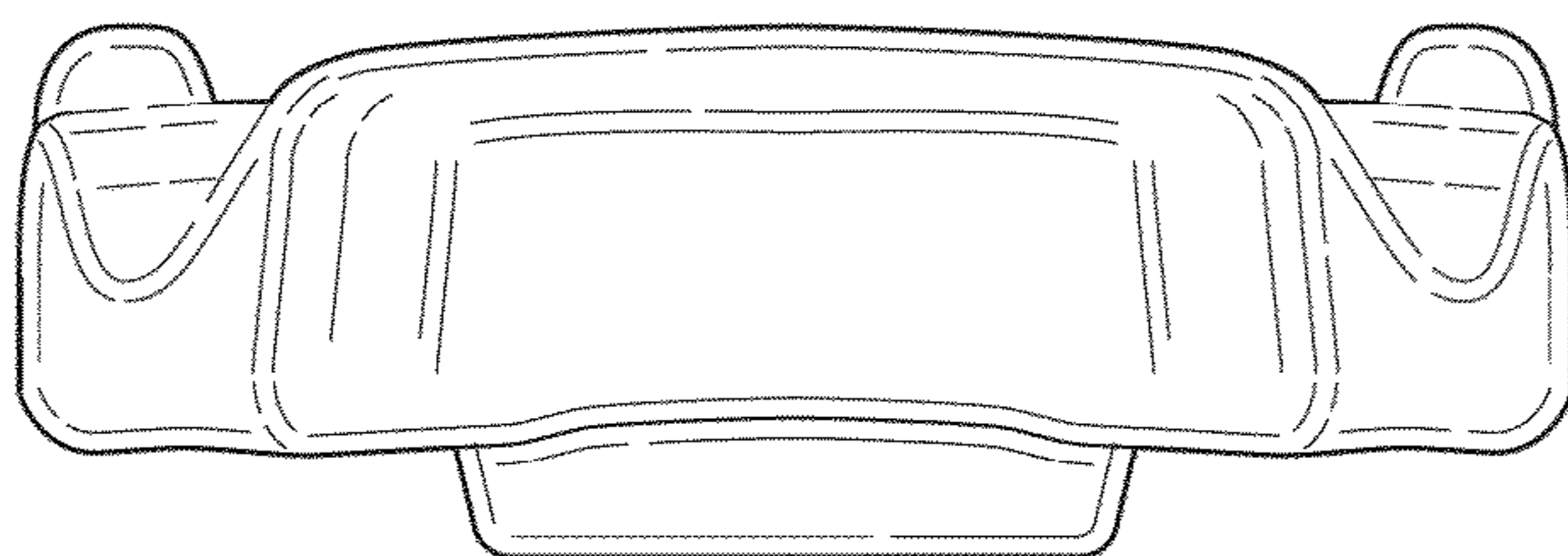


Fig. 8

