



US00D691918S

(12) **United States Design Patent**
Mio et al.

(10) **Patent No.:** **US D691,918 S**

(45) **Date of Patent:** **** Oct. 22, 2013**

(54) **SLIDER FOR ZIP FASTENER**

D627,258 S * 11/2010 Miyazaki et al. D11/221

8,122,573 B2 2/2012 Takazawa

(71) Applicant: **YKK Corporation**, Tokyo (JP)

D671,863 S * 12/2012 Keyaki et al. D11/221

D671,864 S * 12/2012 Keyaki et al. D11/221

(72) Inventors: **Nanahiko Mio**, Milan (IT); **Hsu Hsien Hsiang**, Taipei (TW); **Yen Chin Wen**, Taipei (TW)

* cited by examiner

Primary Examiner — Ralf Seifert

(73) Assignee: **YKK Corporation** (JP)

(74) *Attorney, Agent, or Firm* — Kilpatrick Townsend & Stockton LLP

(**) Term: **14 Years**

(21) Appl. No.: **29/446,455**

(57) **CLAIM**

(22) Filed: **Feb. 23, 2013**

The ornamental design for a slider for zip fastener, as shown and described.

(30) **Foreign Application Priority Data**

Aug. 24, 2012 (EM) 002092304-0006

DESCRIPTION

(51) **LOC (9) Cl.** **02-07**

(52) **U.S. Cl.**
USPC **D11/221**

(58) **Field of Classification Search**
USPC D11/200, 201, 221; 24/381–383,
24/385–387, 414–417, 421–422, 427–431,
24/433; 2/265

See application file for complete search history.

FIG. 1 is a perspective view of the front, bottom and left side of a slider for zip fastener showing my (our) new design; FIG. 2 is a front view thereof; FIG. 3 is a rear view thereof; FIG. 4 is a left side view thereof; FIG. 5 is a right side view thereof; and, FIG. 6 is a bottom view thereof, the top plan view being mirror image thereof.

The portions of the article in broken lines are shown for illustrative purposes only and form no part of the claimed design.

(56) **References Cited**

U.S. PATENT DOCUMENTS

6,769,156 B1 * 8/2004 Chen 24/421
D610,947 S * 3/2010 Takazawa et al. D11/221

1 Claim, 5 Drawing Sheets

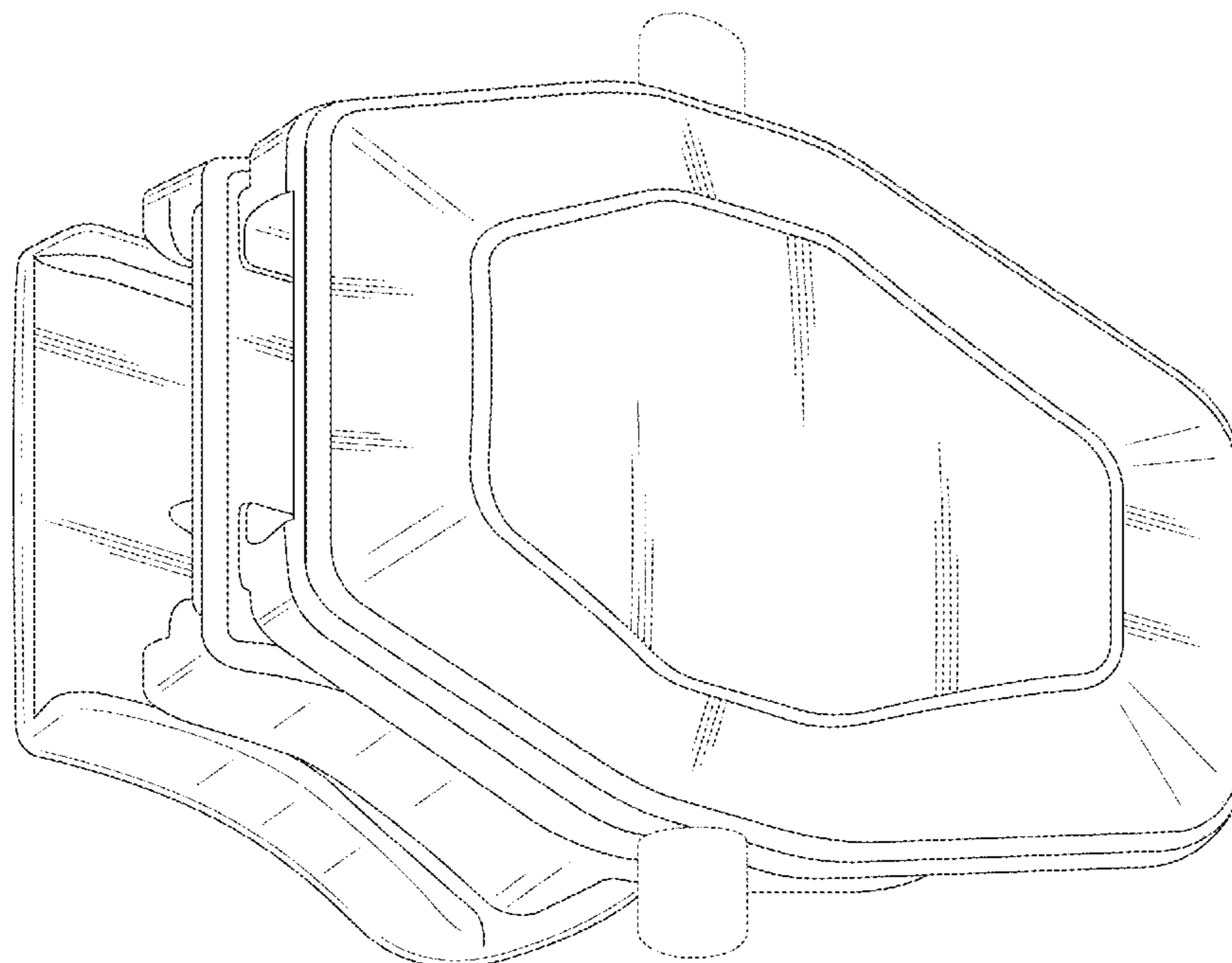


Fig. 1

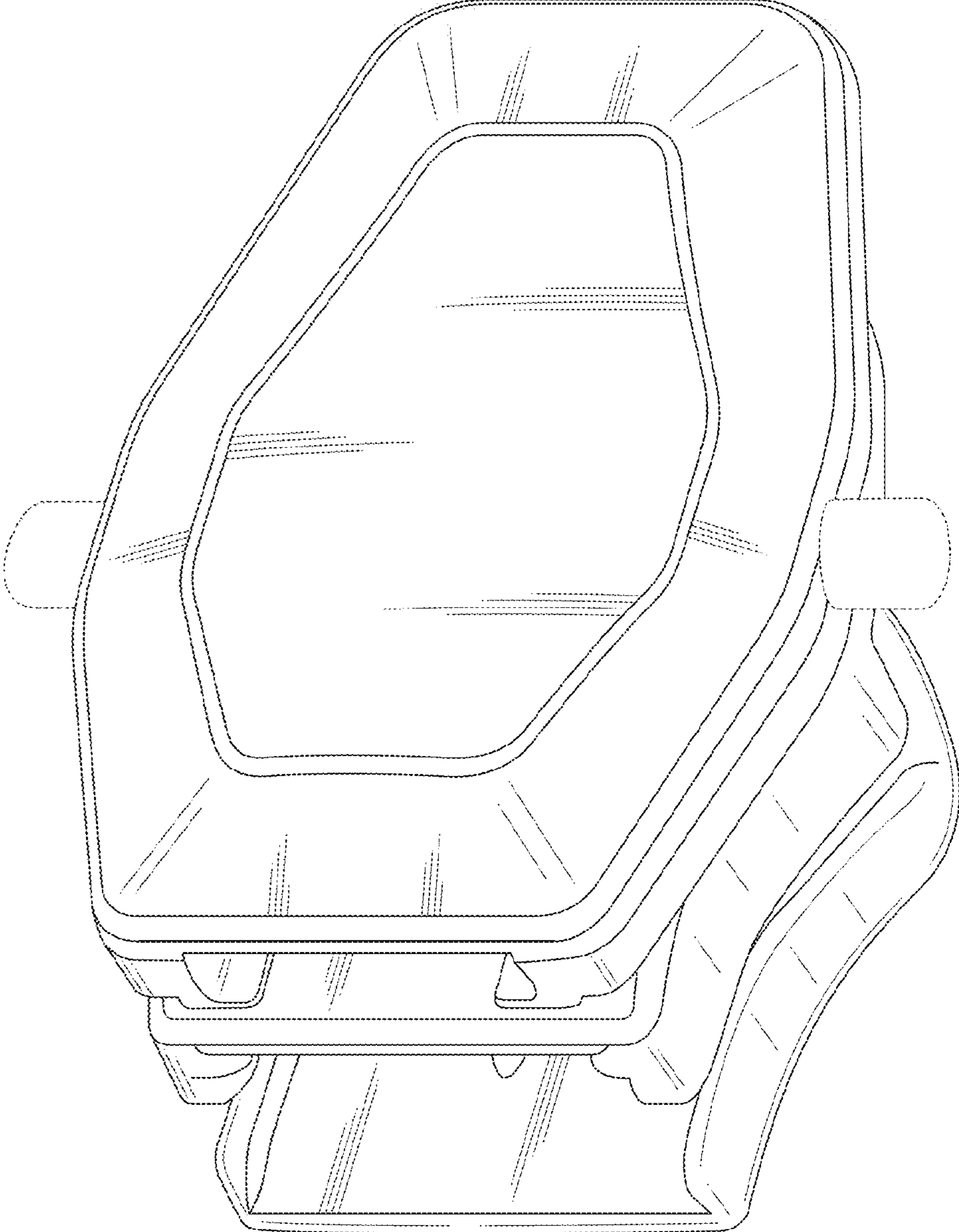


Fig. 2

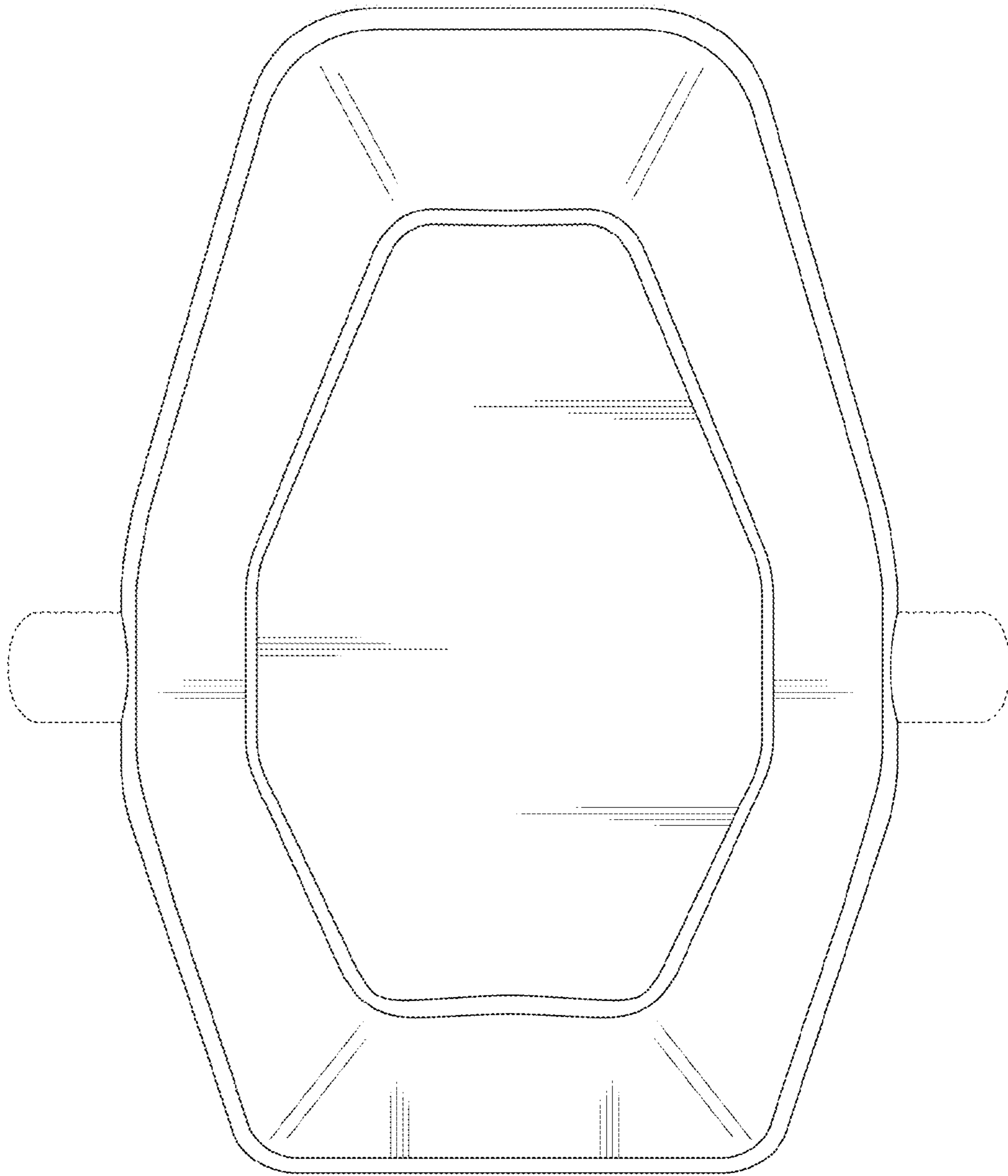


Fig. 3

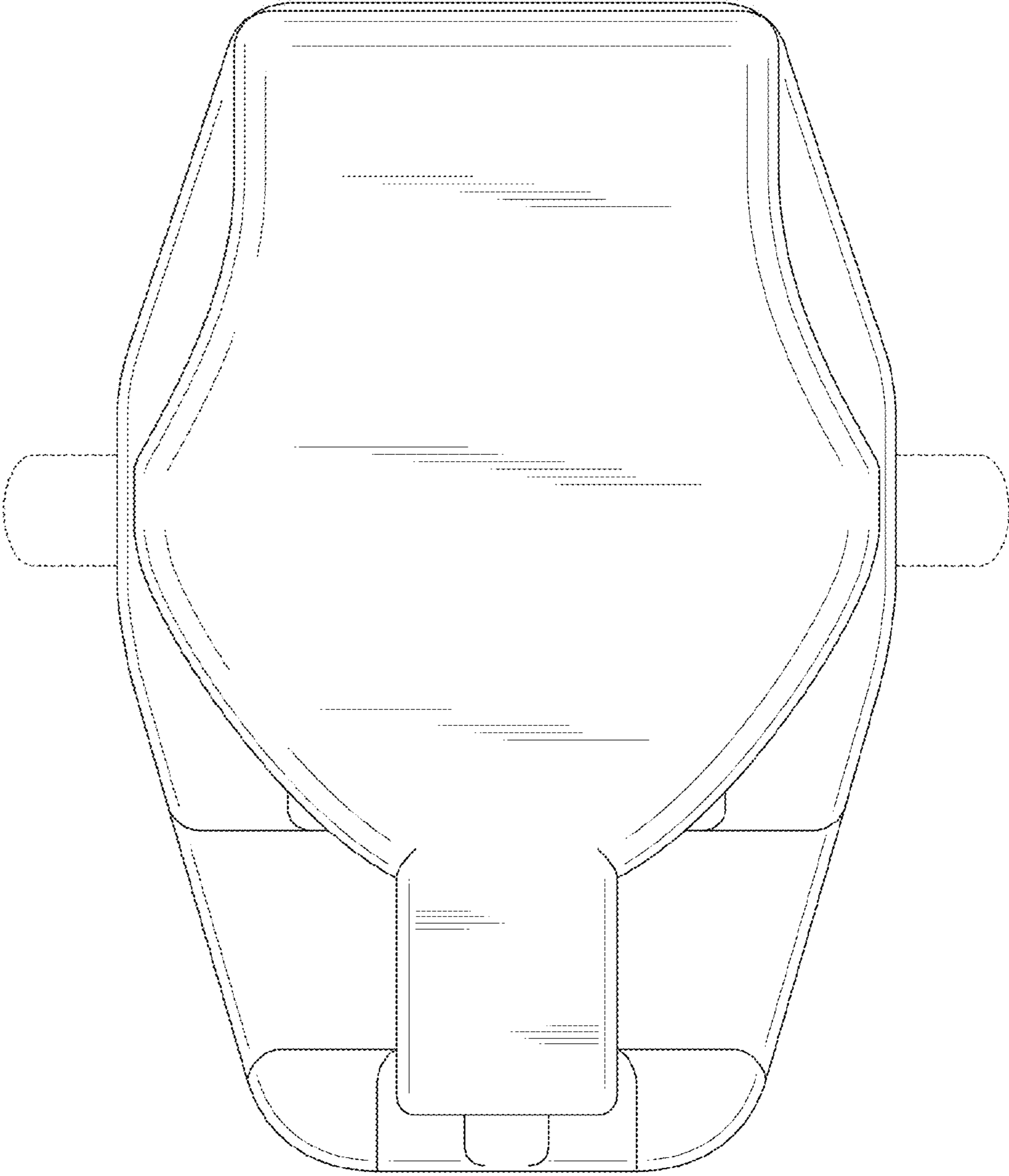


Fig. 5

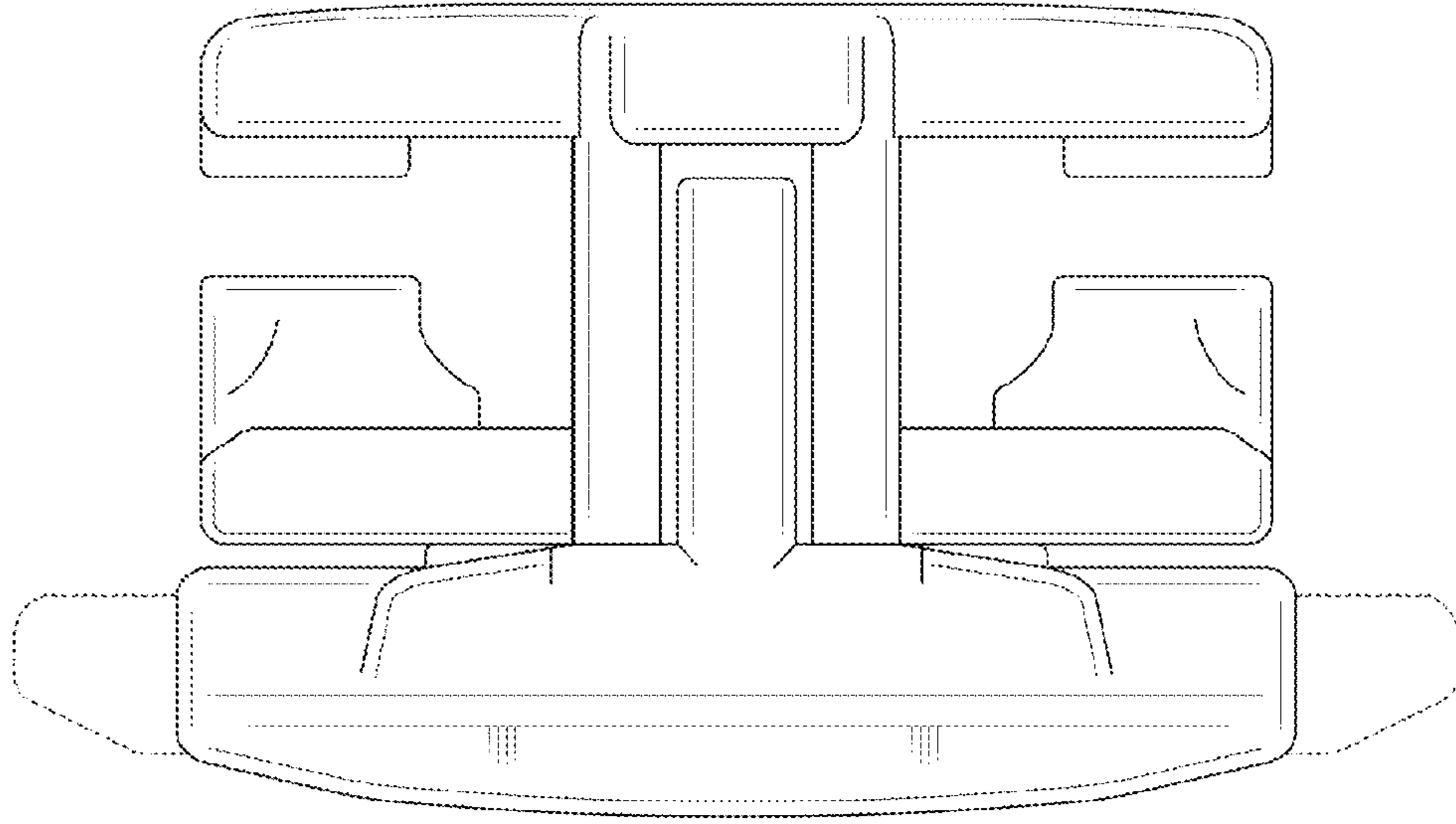


Fig. 4

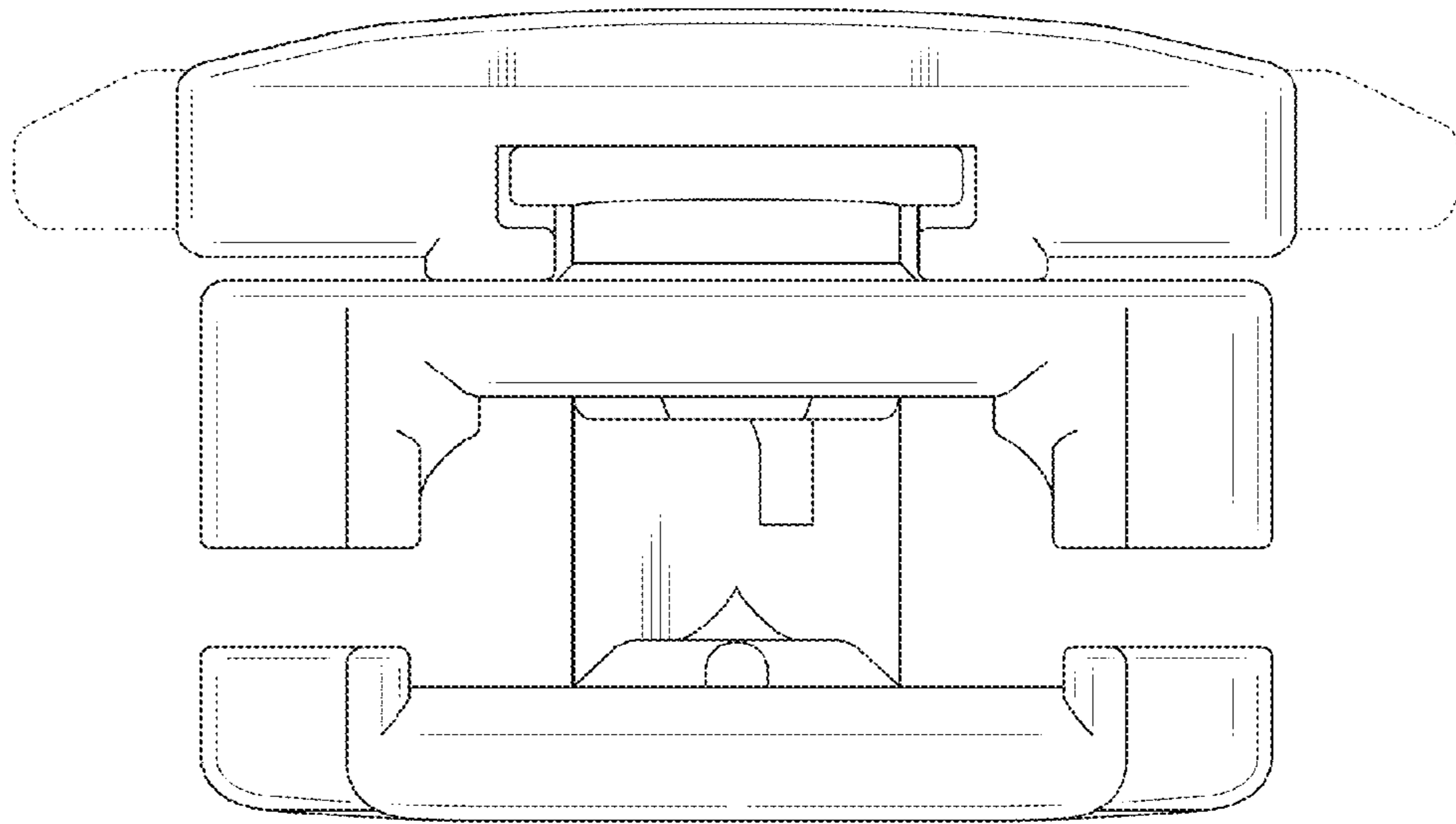


Fig. 6

