

US00D691916S

(12) **United States Design Patent**
Stuchlik

(10) **Patent No.:** **US D691,916 S**

(45) **Date of Patent:** **** Oct. 22, 2013**

(54) **STONE FOR JEWELRY**

(71) Applicant: **Preciosa a.s.**, Jablonec nad Nisou (CZ)

(72) Inventor: **Jan Stuchlik**, Jablonec nad Nisou (CZ)

(73) Assignee: **Preciosa a.s.**, Jablonec nad Nisou (CZ)

(**) Term: **14 Years**

(21) Appl. No.: **29/451,198**

(22) Filed: **Mar. 28, 2013**

Related U.S. Application Data

(62) Division of application No. 29/426,448, filed on Jul. 5, 2012.

(30) **Foreign Application Priority Data**

Jan. 16, 2012 (EM) 1975855-0006

(51) **LOC (9) Cl.** **11-01**

(52) **U.S. Cl.**
USPC **D11/90**

(58) **Field of Classification Search**
USPC D11/1-2, 26-29, 89-92; 63/26-28, 32
See application file for complete search history.

(56) **References Cited**

U.S. PATENT DOCUMENTS

D516,585 S *	3/2006	Granig et al.	D11/90
D531,080 S *	10/2006	Swarovski	D11/90
D589,394 S *	3/2009	Schneider et al.	D11/90
D590,292 S *	4/2009	Schneider et al.	D11/90
D616,327 S *	5/2010	Schneider et al.	D11/90

* cited by examiner

Primary Examiner — Ralf Seifert

(74) *Attorney, Agent, or Firm* — Notaro, Michalos & Zaccaria P.C.

(57) **CLAIM**

The ornamental design for a stone for jewelry, as shown and described.

DESCRIPTION

FIG. 1 is a front elevational view of a stone for jewelry showing my new design therefore with portions shown in broken line, forming no part of the design;

FIG. 2 is a bottom plan view thereof;

FIG. 3 is a top plan view thereof;

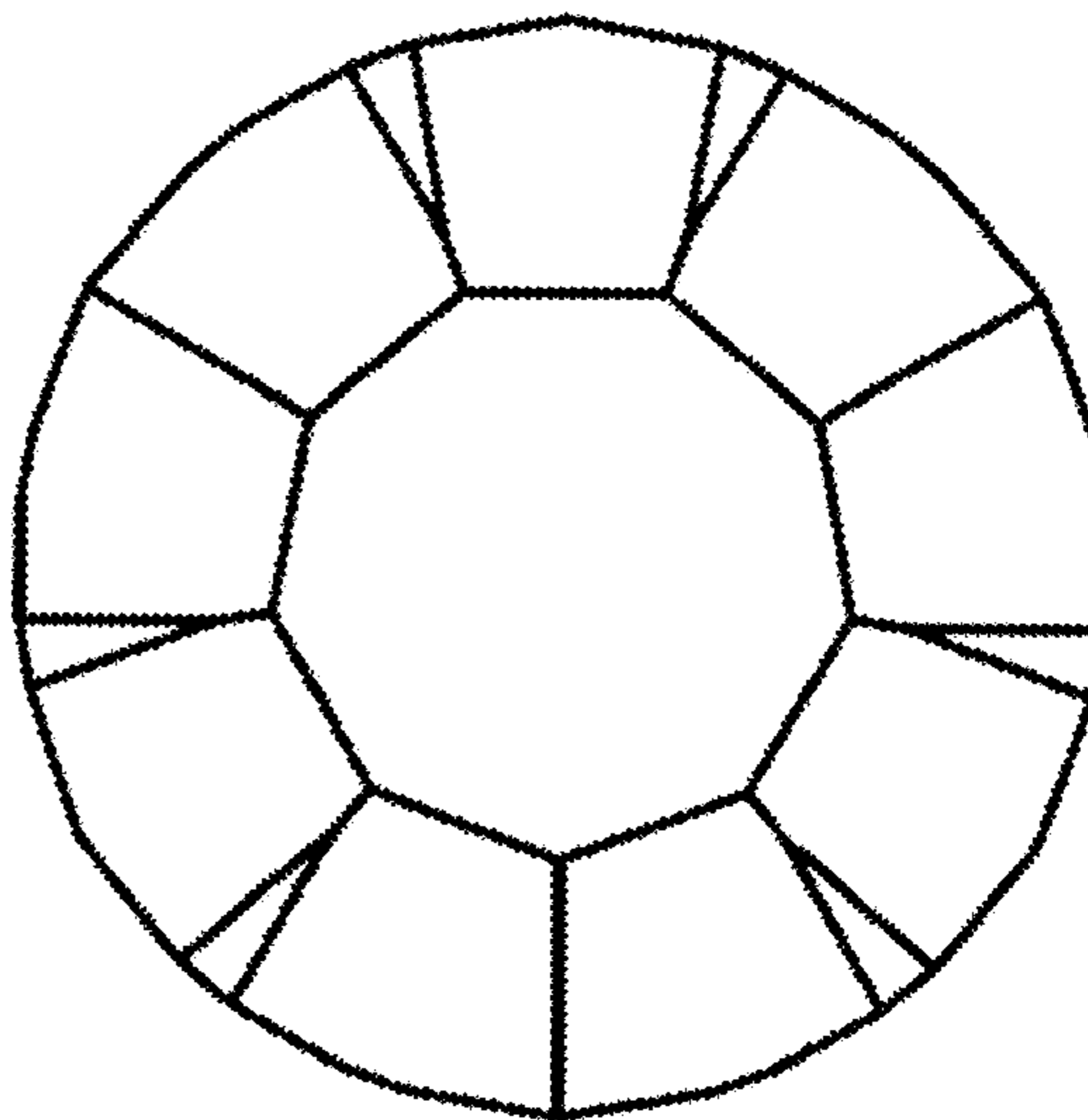
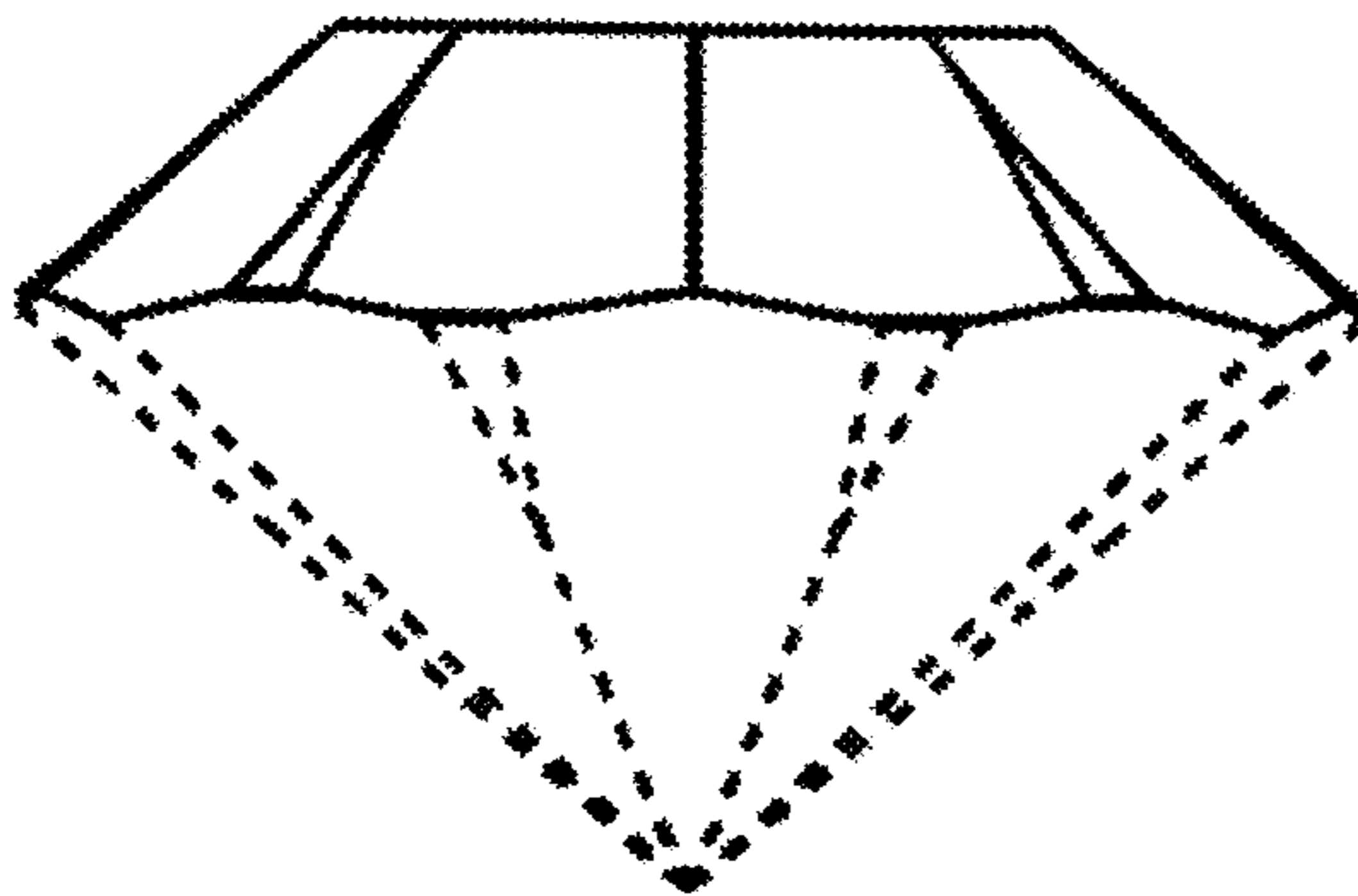
FIG. 4 is a side perspective view thereof;

FIG. 5 is an opposite side perspective view thereof; and,

FIG. 6 is a rear elevational view thereof.

The broken line showing in FIGS. 1, 2, 4, 5 and 6 are for the purpose of illustrating environmental matter and forms no part of the claimed design.

1 Claim, 1 Drawing Sheet



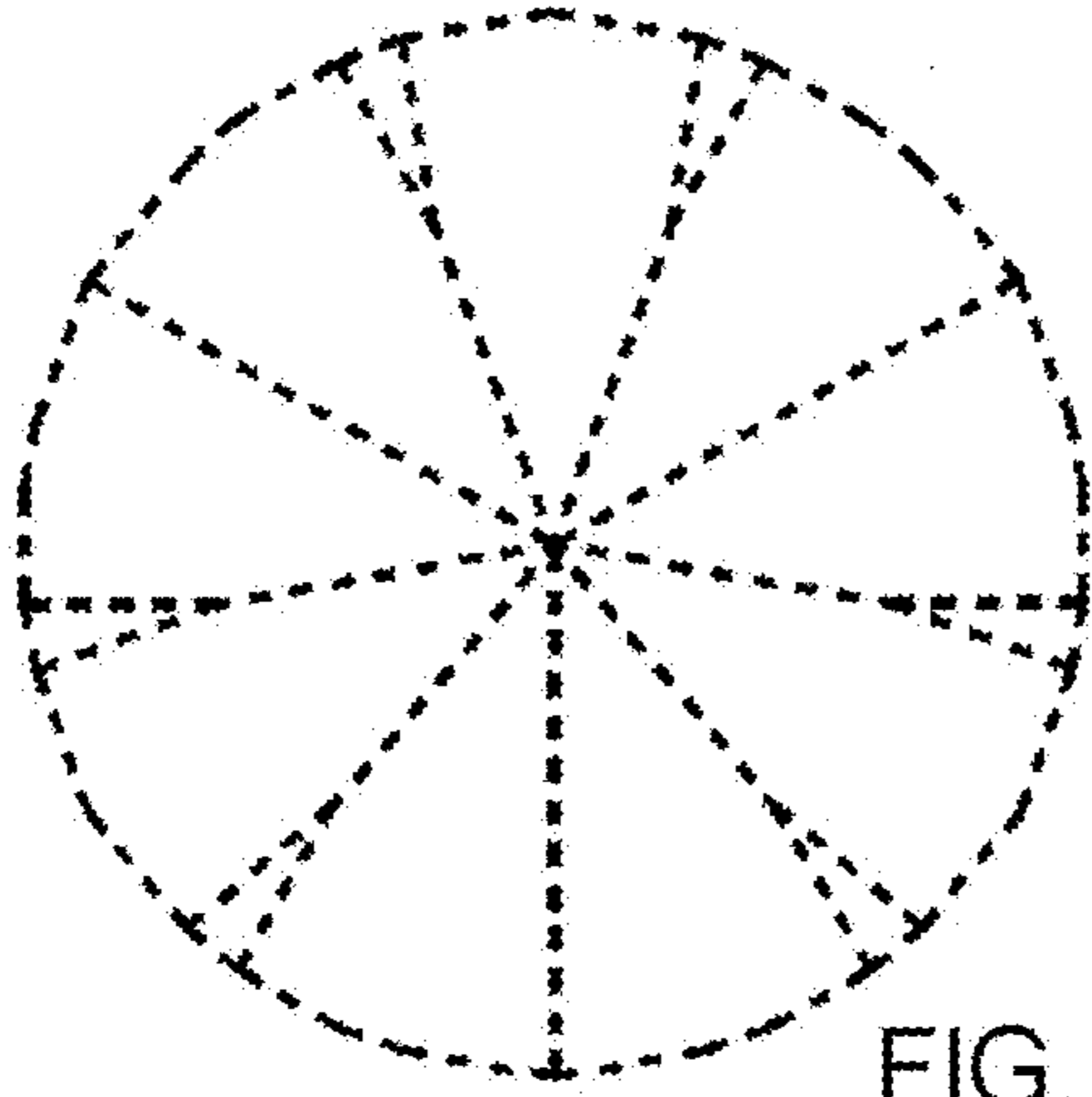


FIG. 2

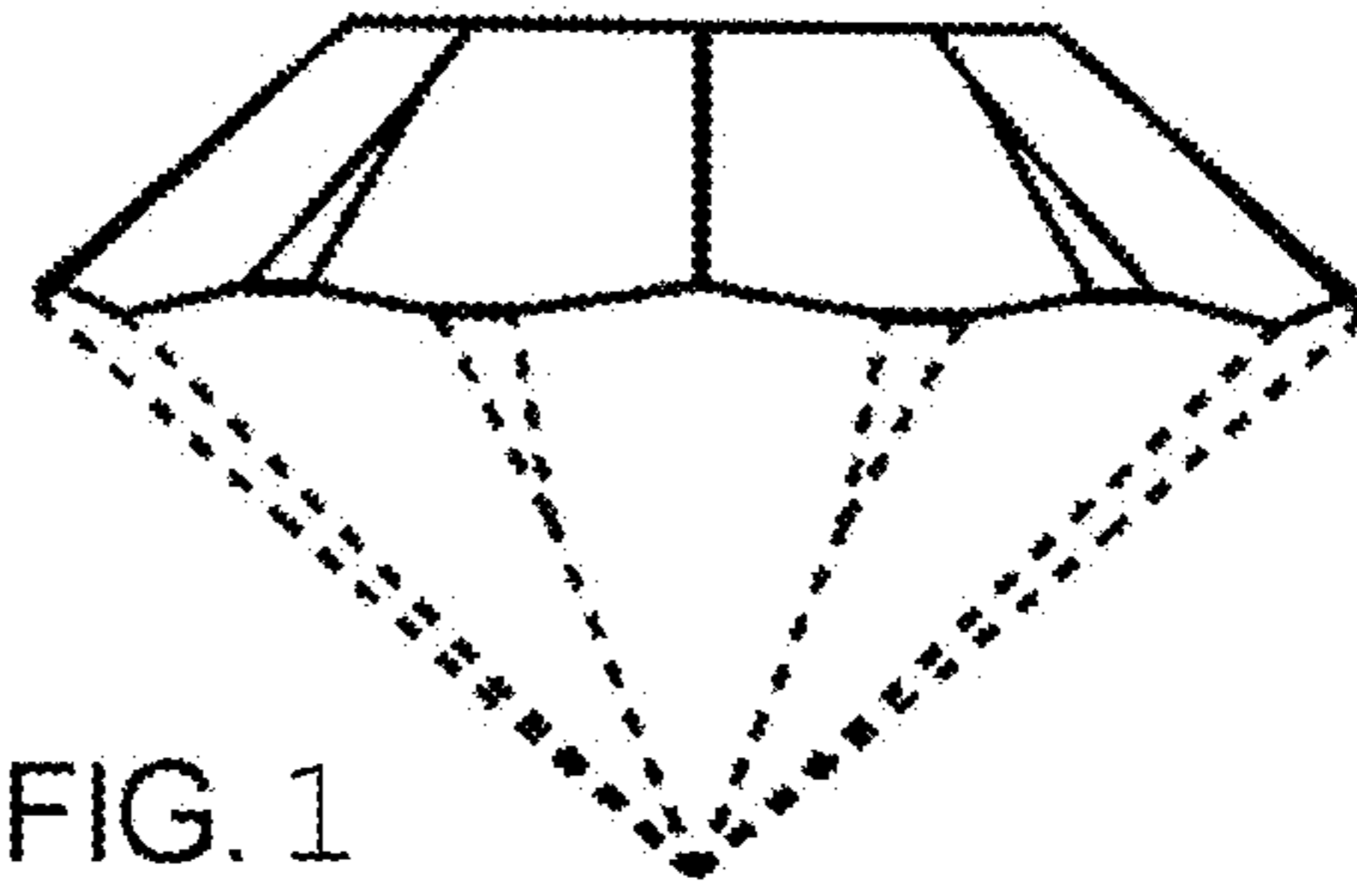


FIG. 1

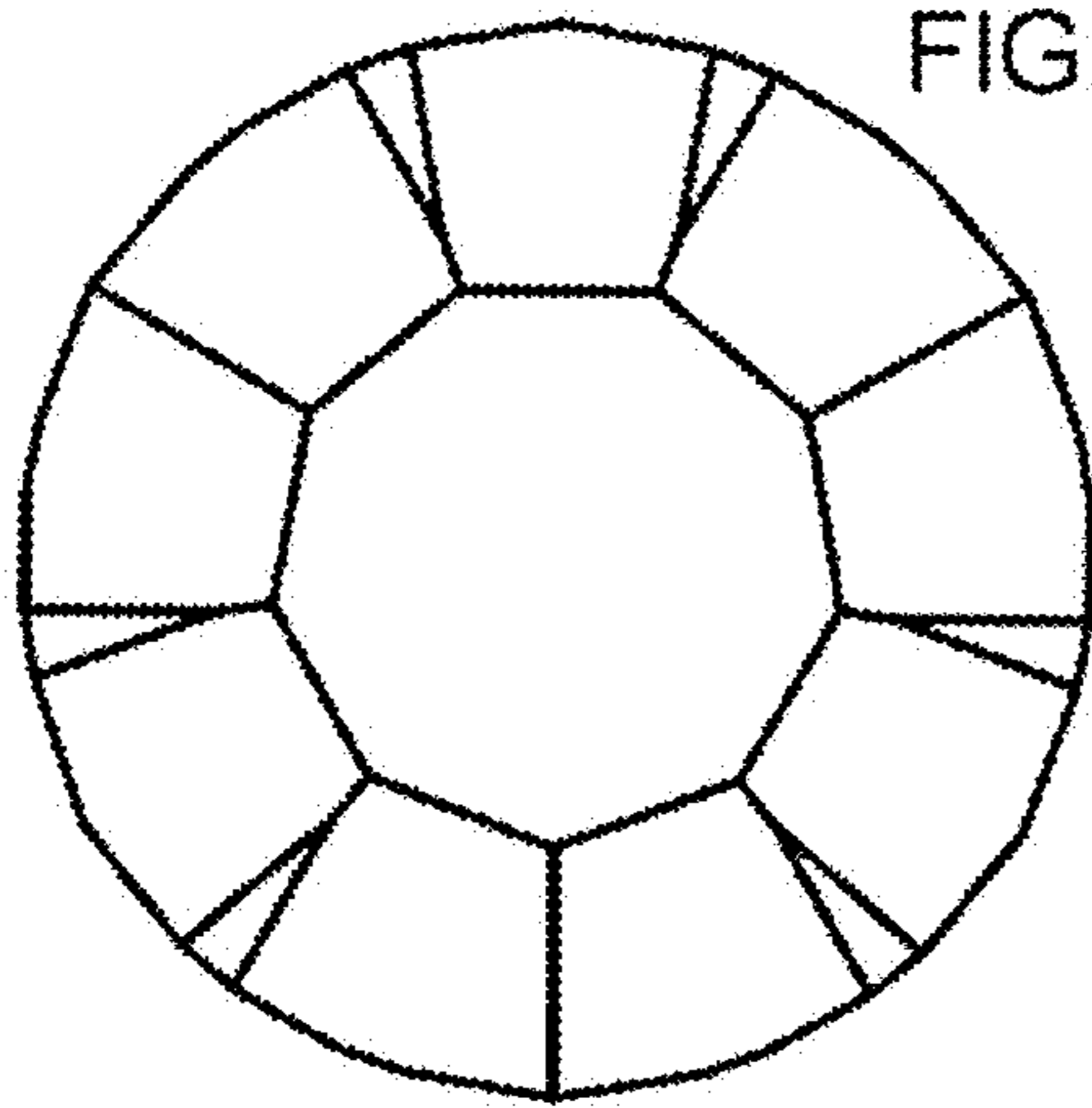


FIG. 3

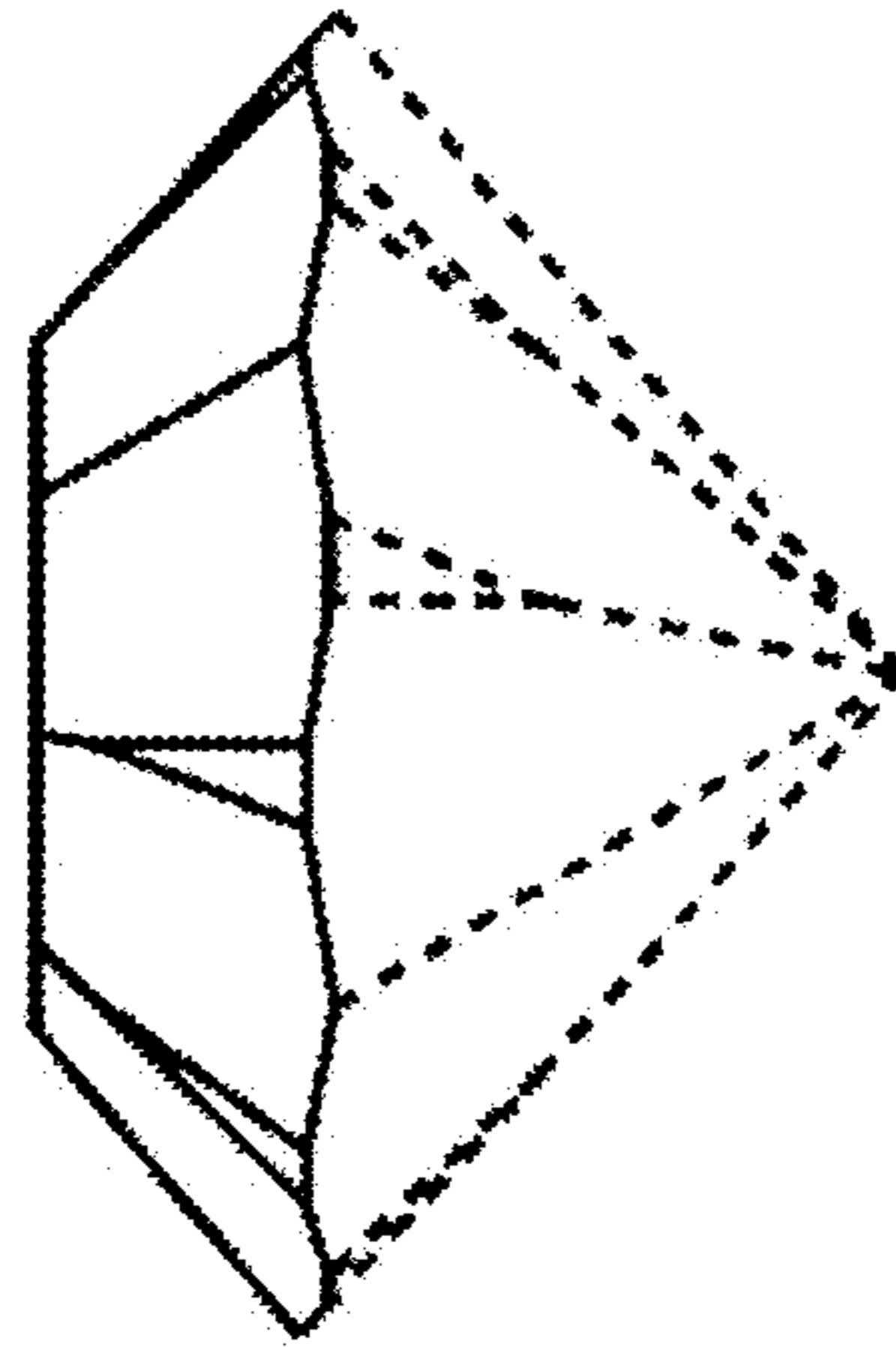


FIG. 4

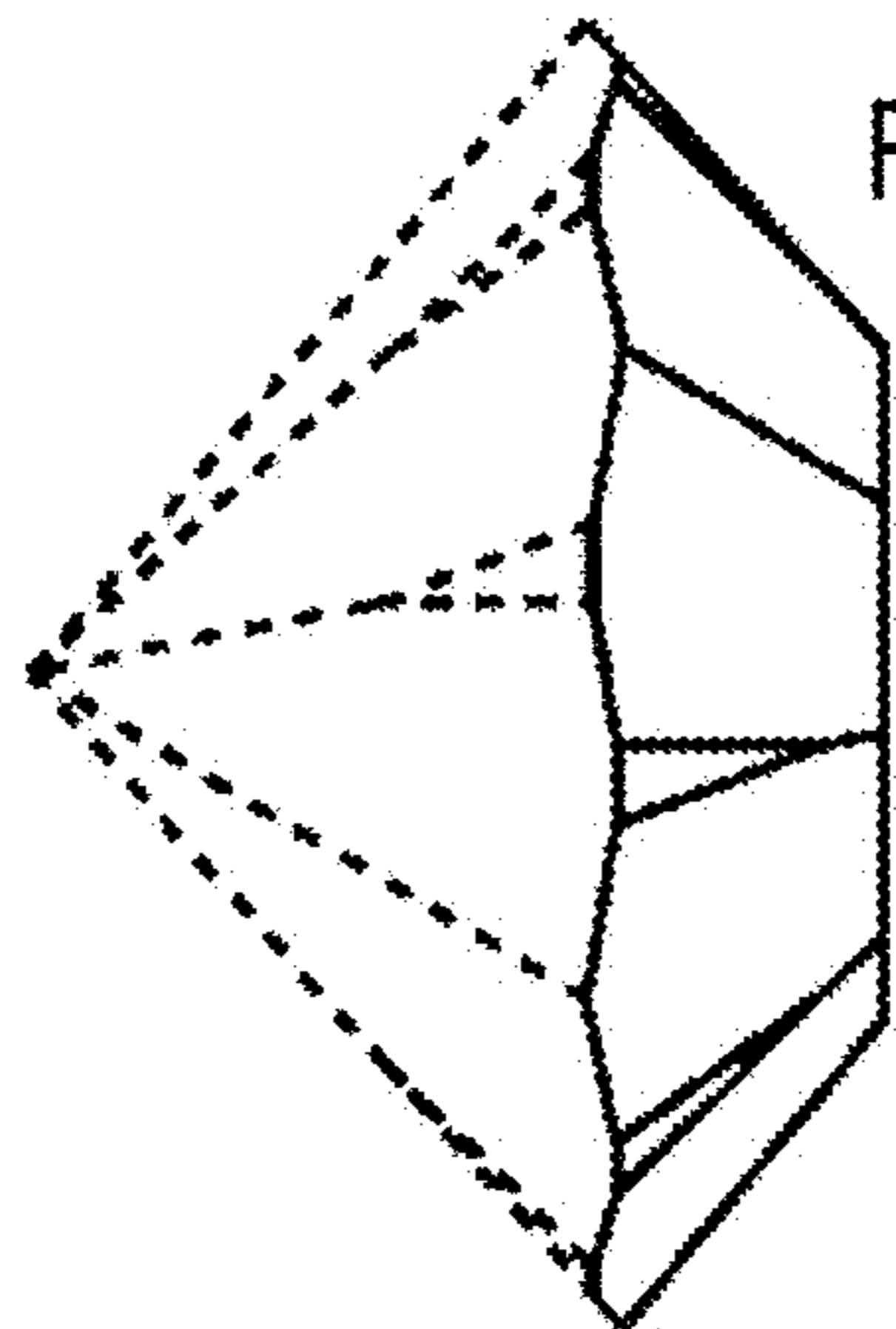


FIG. 5

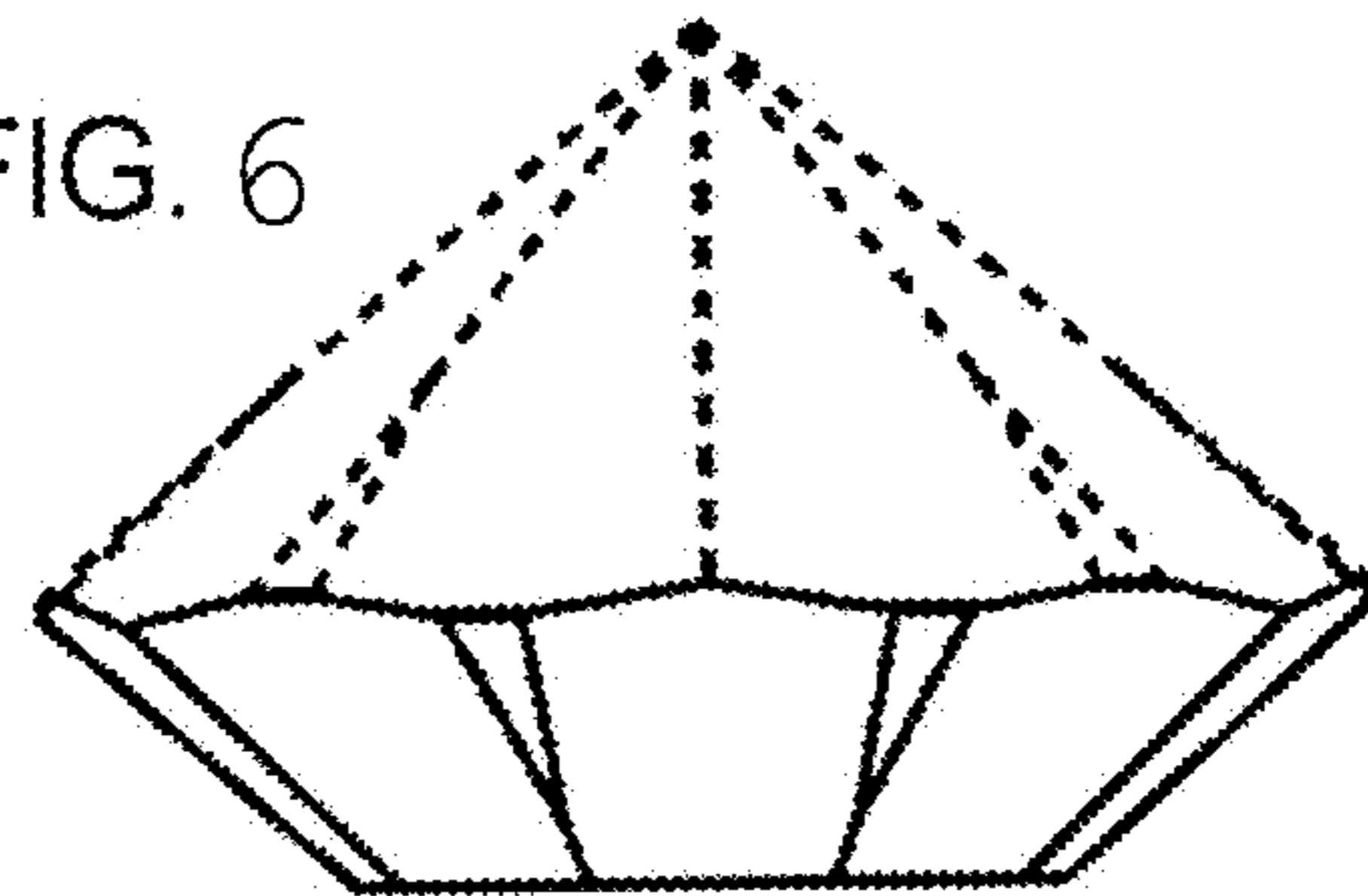


FIG. 6