



US00D691915S

(12) **United States Design Patent**
Hodzic

(10) **Patent No.:** **US D691,915 S**
(45) **Date of Patent:** **** Oct. 22, 2013**

(54) **STONE**

(71) Applicant: **Swarovski Aktiengesellschaft**, Triesen (LI)

(72) Inventor: **Adela Hodzic**, Wattens (AT)

(73) Assignee: **Swarovski Aktiengesellschaft**, Triesen (LI)

(**) Term: **14 Years**

(21) Appl. No.: **29/458,301**

(22) Filed: **Jun. 18, 2013**

(30) **Foreign Application Priority Data**

Dec. 20, 2012 (EM) 2156737

(51) **LOC (9) Cl.** **11-01**

(52) **U.S. Cl.**
USPC **D11/89**

(58) **Field of Classification Search**
USPC D11/1-2, 26-29, 89-92; 63/26-28, 32
See application file for complete search history.

(56) **References Cited**

U.S. PATENT DOCUMENTS

D544,392 S * 6/2007 Prechtl D11/90
D593,433 S * 6/2009 Castelein D11/89
D604,662 S * 11/2009 Bartl D11/89

D653,152 S * 1/2012 Bartl D11/89
D654,824 S * 2/2012 Bartl D11/89
D658,534 S * 5/2012 Hodzic D11/89
D658,535 S * 5/2012 Hodzic D11/89

* cited by examiner

Primary Examiner — Ralf Seifert

(74) *Attorney, Agent, or Firm* — Wenderoth, Lind & Ponack, L.L.P.

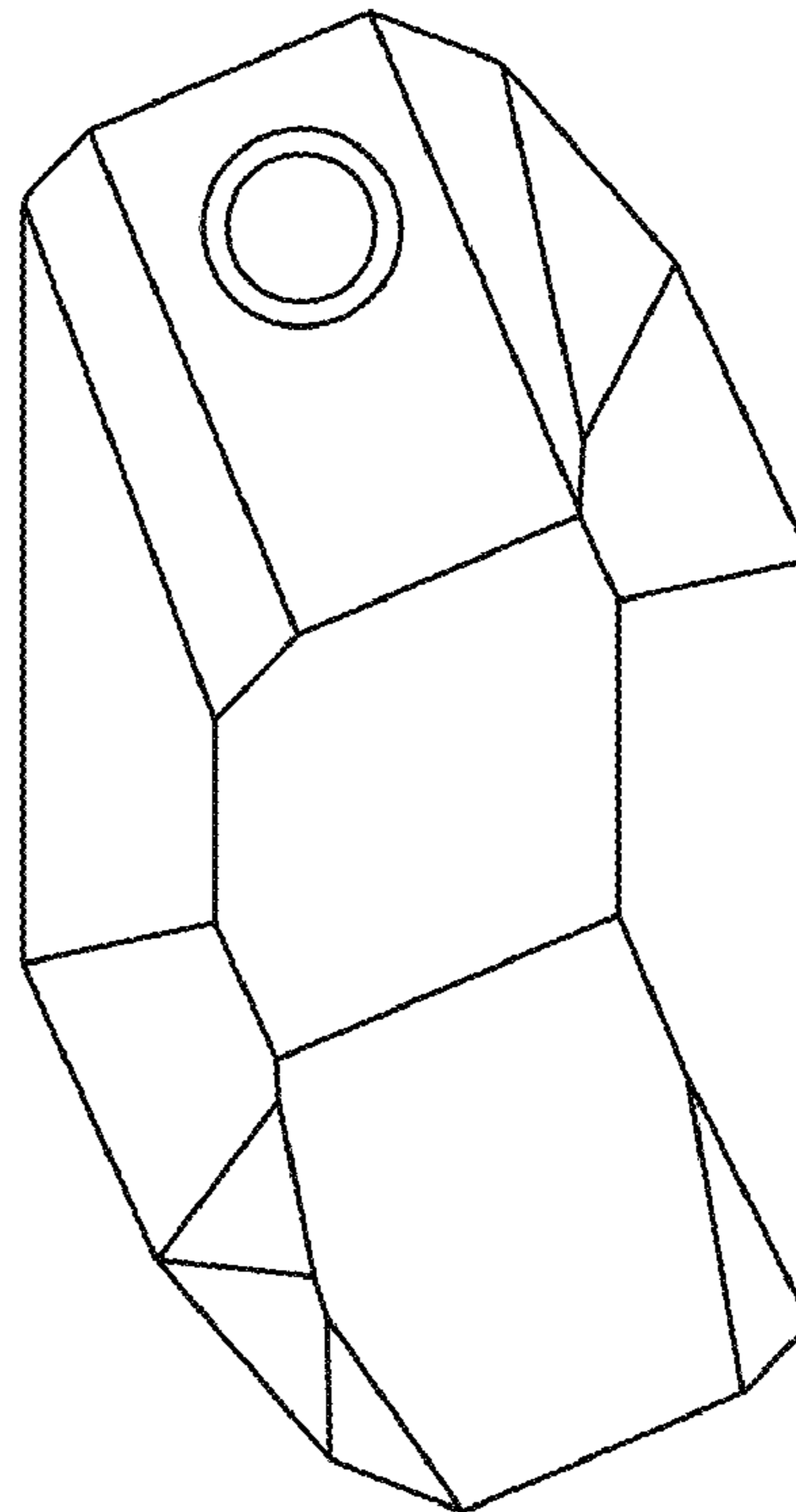
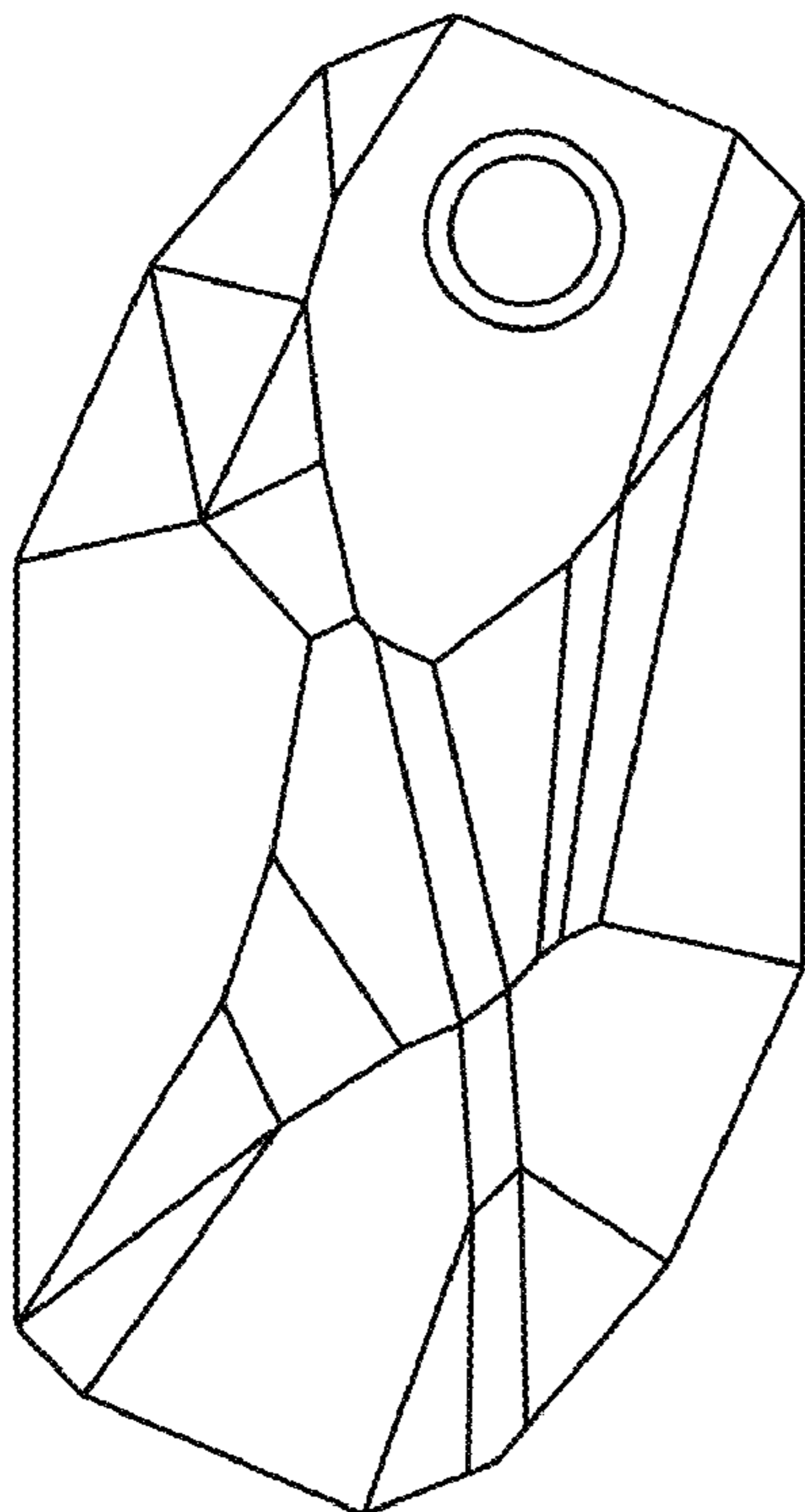
(57) **CLAIM**

I claim the ornamental design for an ornamental stone, as shown and described.

DESCRIPTION

FIG. 1 is a front view of the first embodiment;
FIG. 2 is a rear view of the first embodiment;
FIG. 3 is a left side view of the first embodiment;
FIG. 4 is a right side view of the first embodiment;
FIG. 5 is a top view of the first embodiment;
FIG. 6 is a bottom view of the first embodiment;
FIG. 7 is a perspective view of the first embodiment;
FIG. 8 is a front view of the second embodiment;
FIG. 9 is a rear view of the second embodiment;
FIG. 10 is a left side view of the second embodiment;
FIG. 11 is a right side view of the second embodiment;
FIG. 12 is a top view of the second embodiment;
FIG. 13 is a bottom view of the second embodiment; and,
FIG. 14 is a perspective view of the second embodiment.

1 Claim, 14 Drawing Sheets



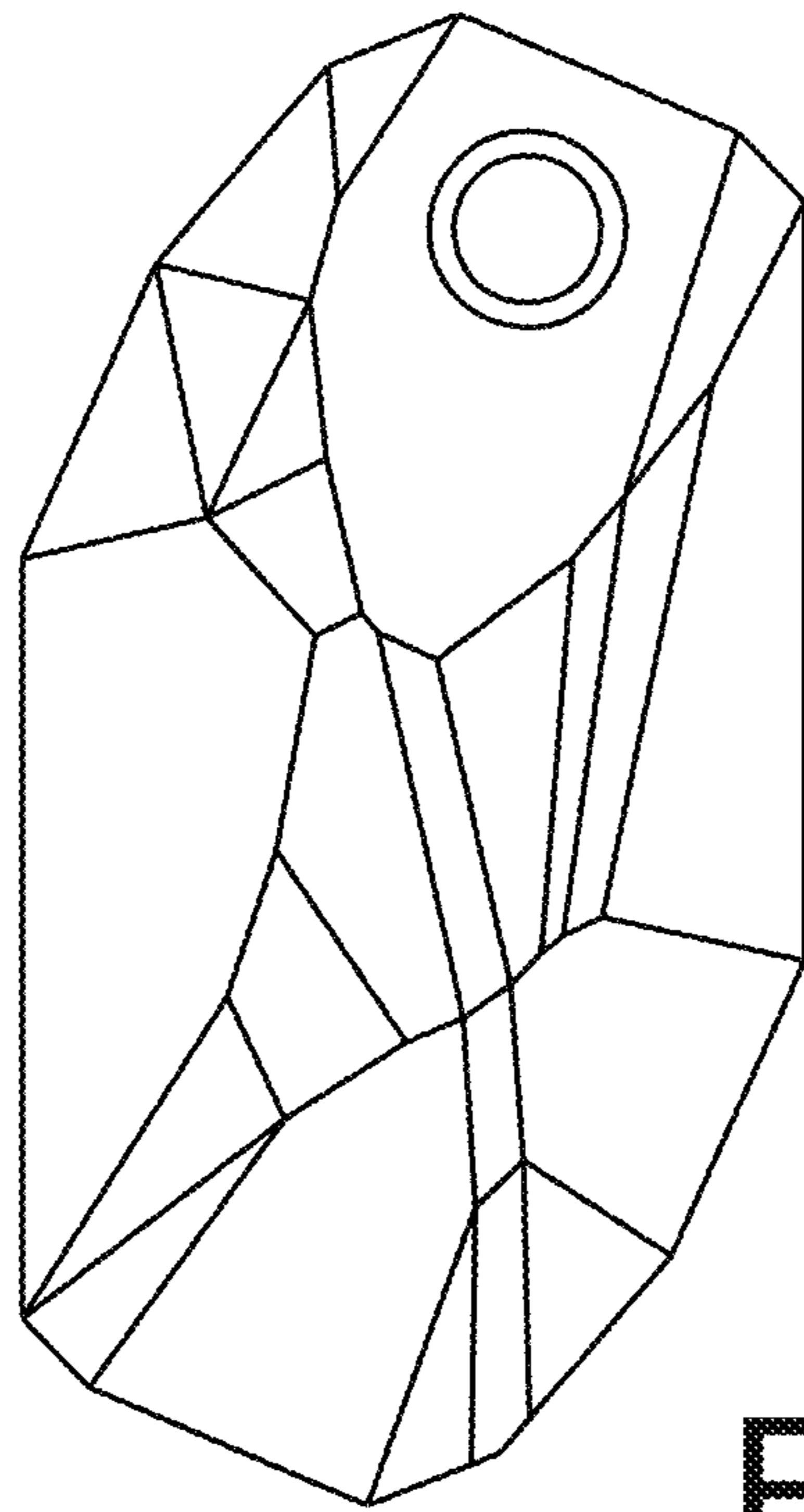


Fig. 1

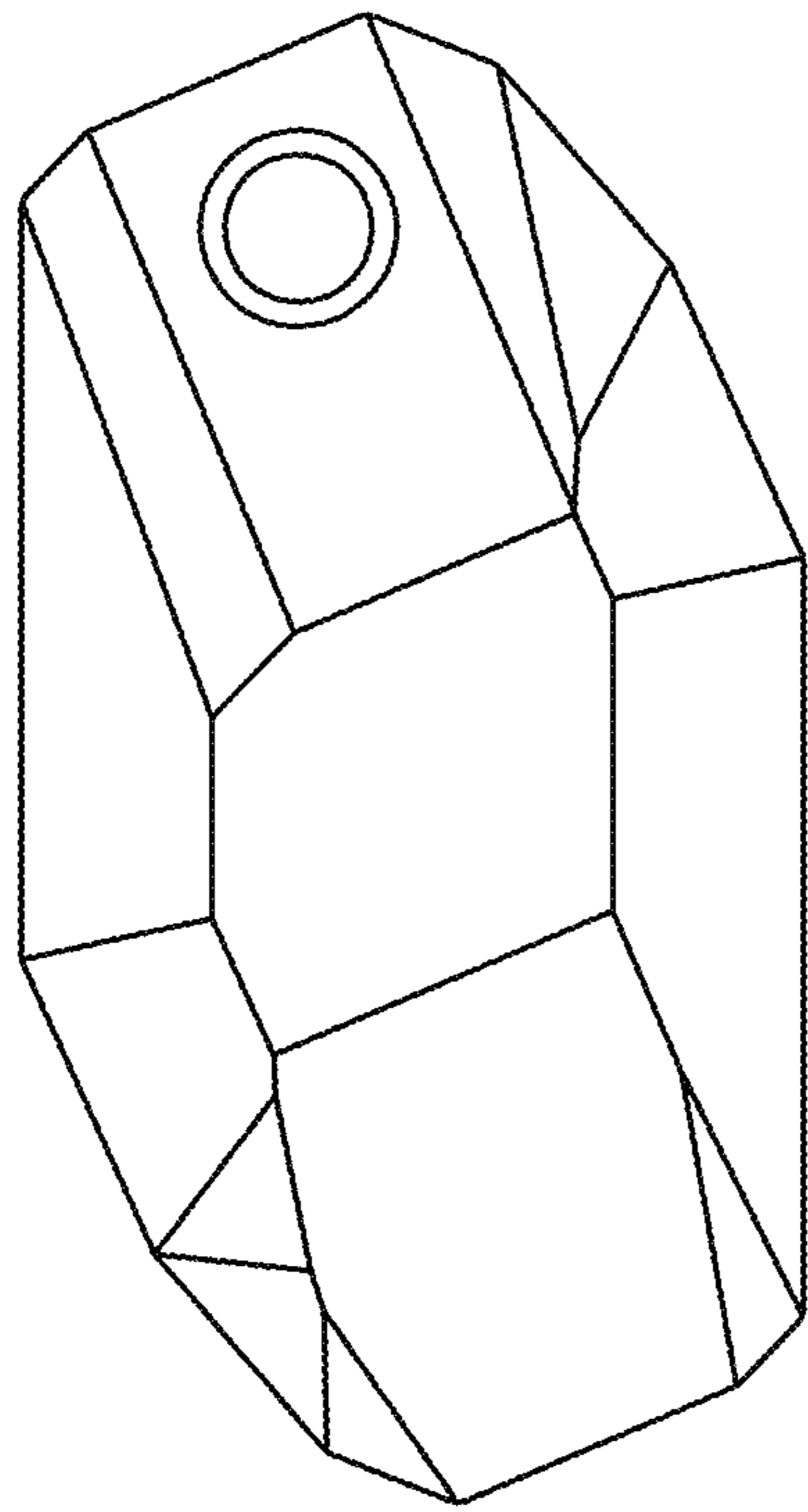


Fig. 2

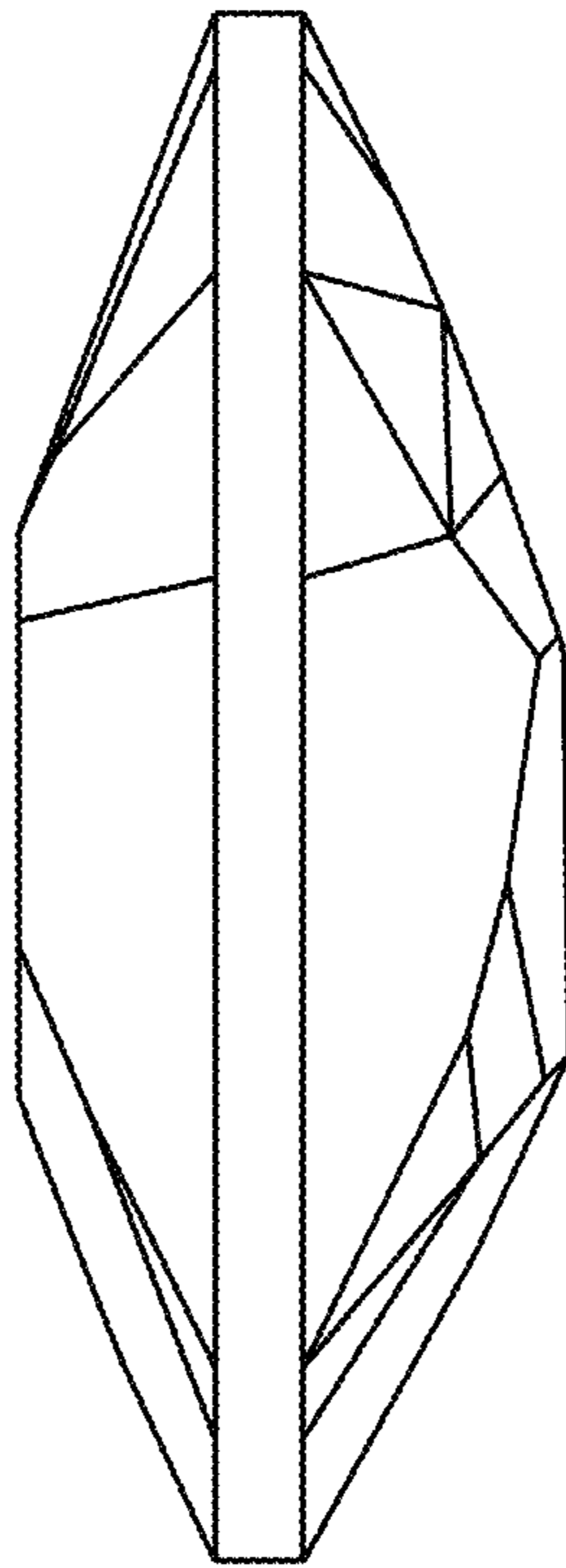


Fig. 3

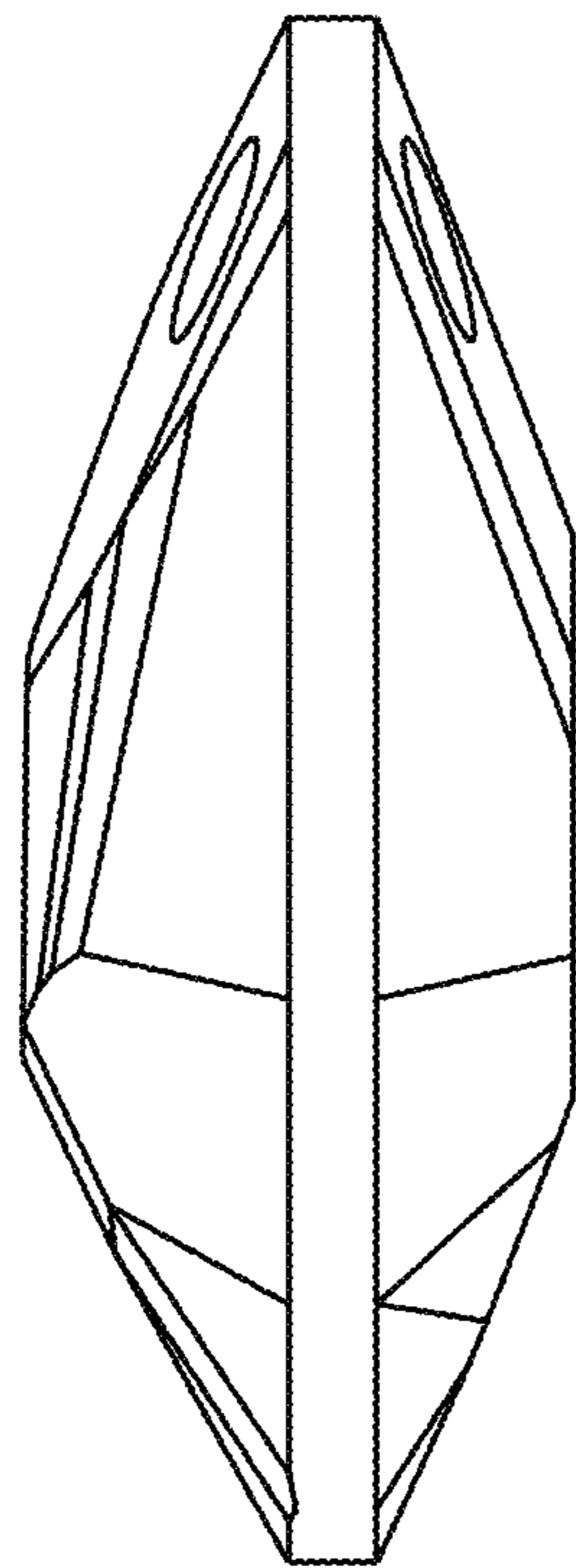


Fig. 4

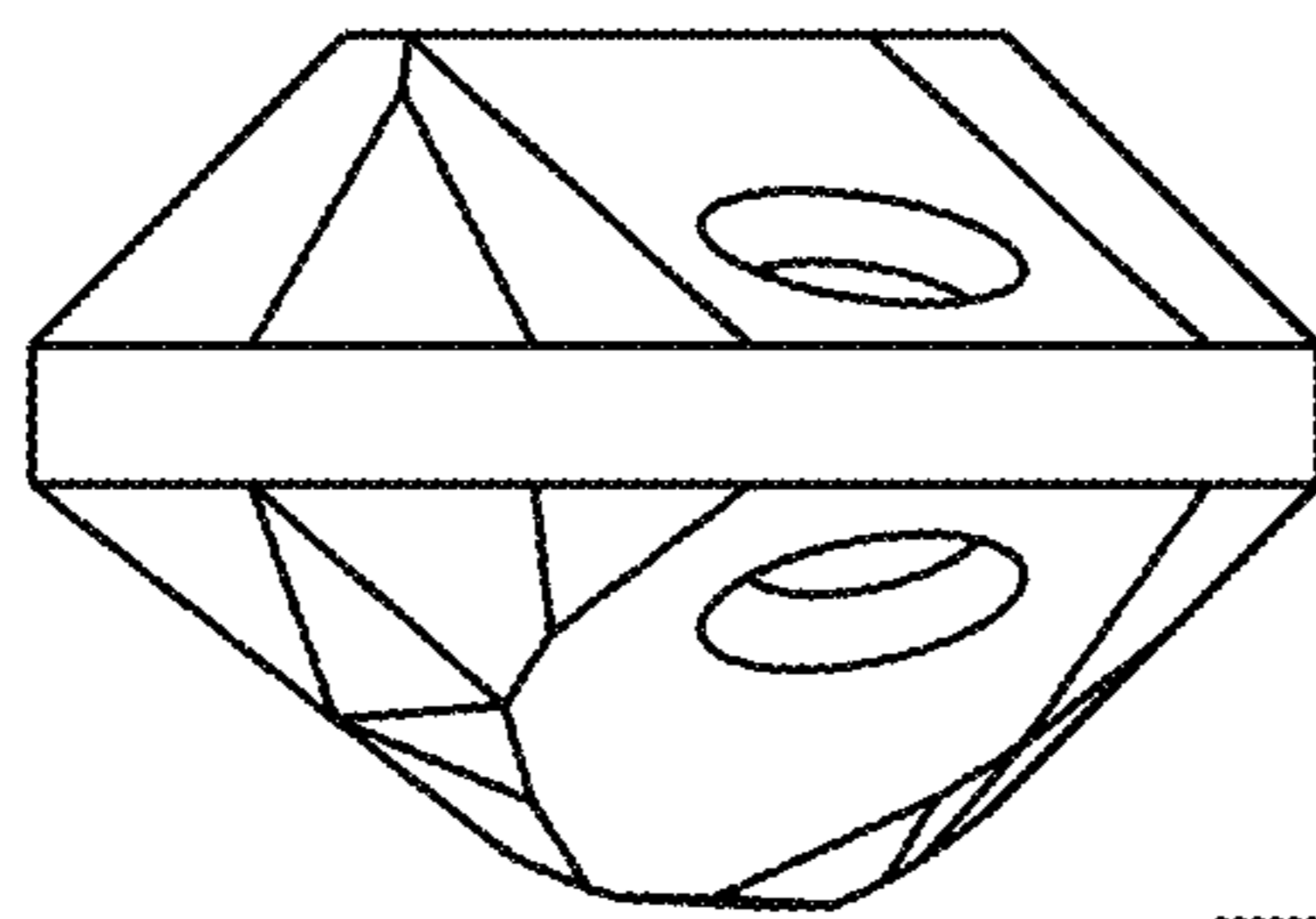


Fig. 5

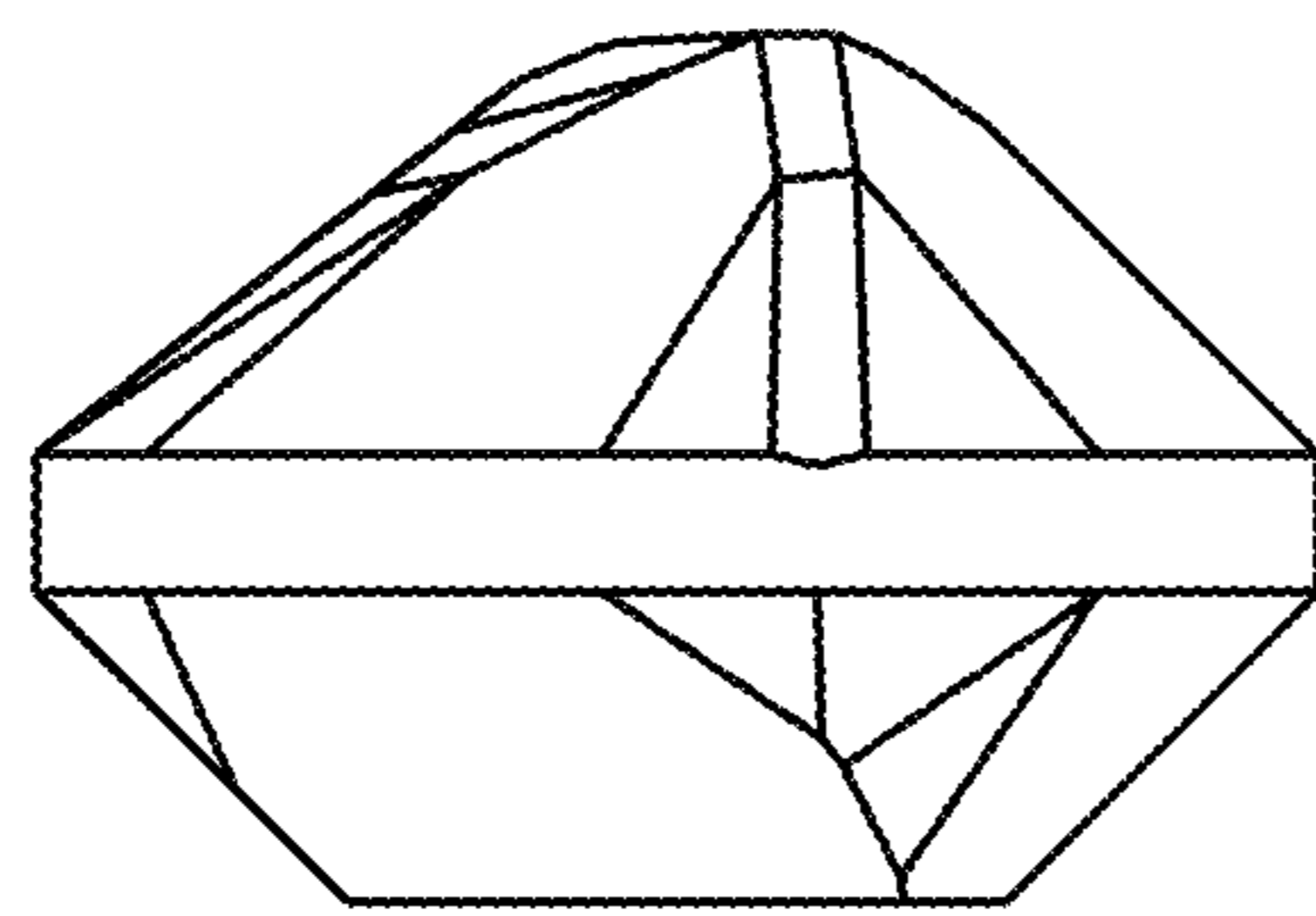


Fig. 6

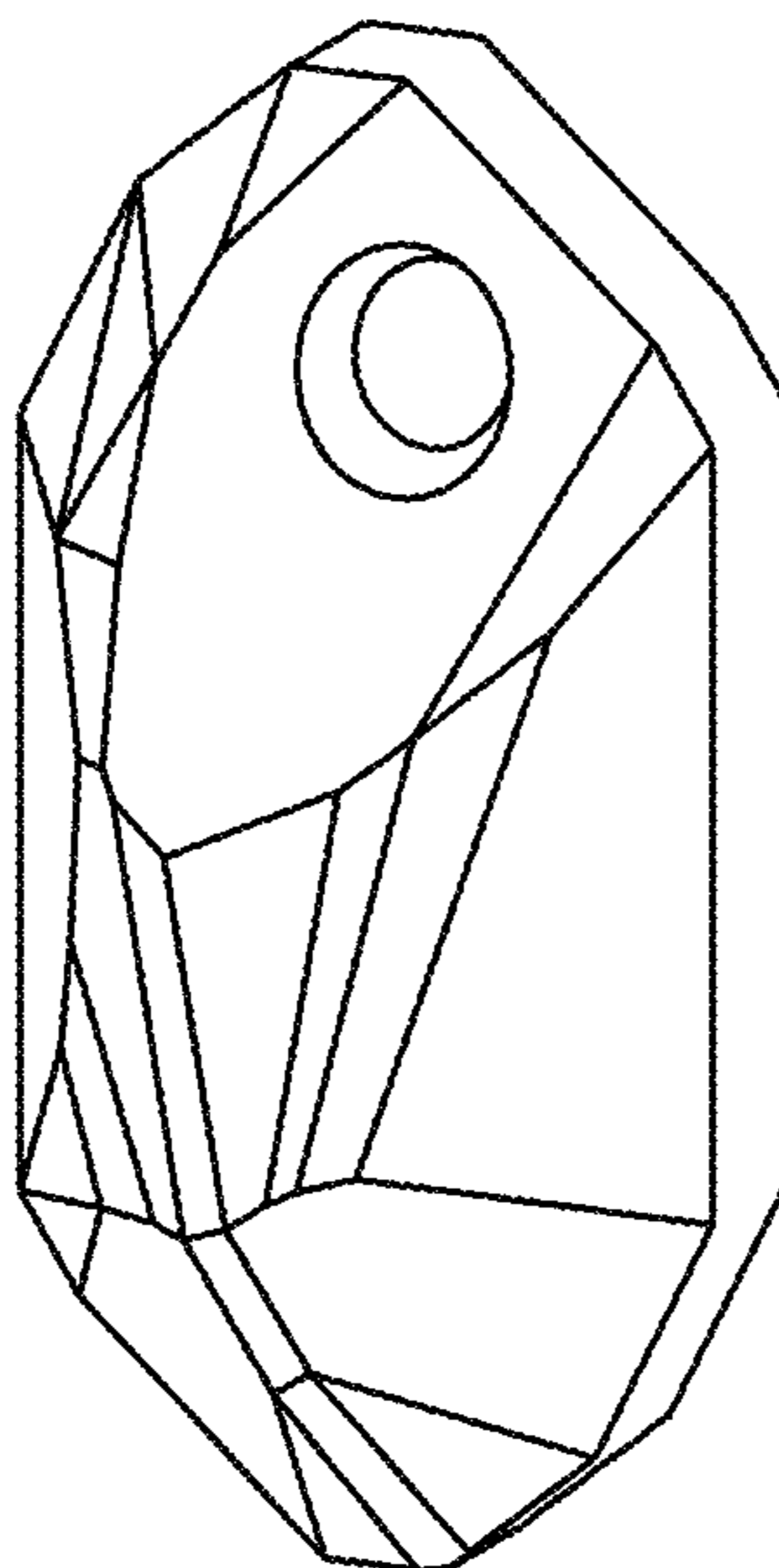


Fig. 7

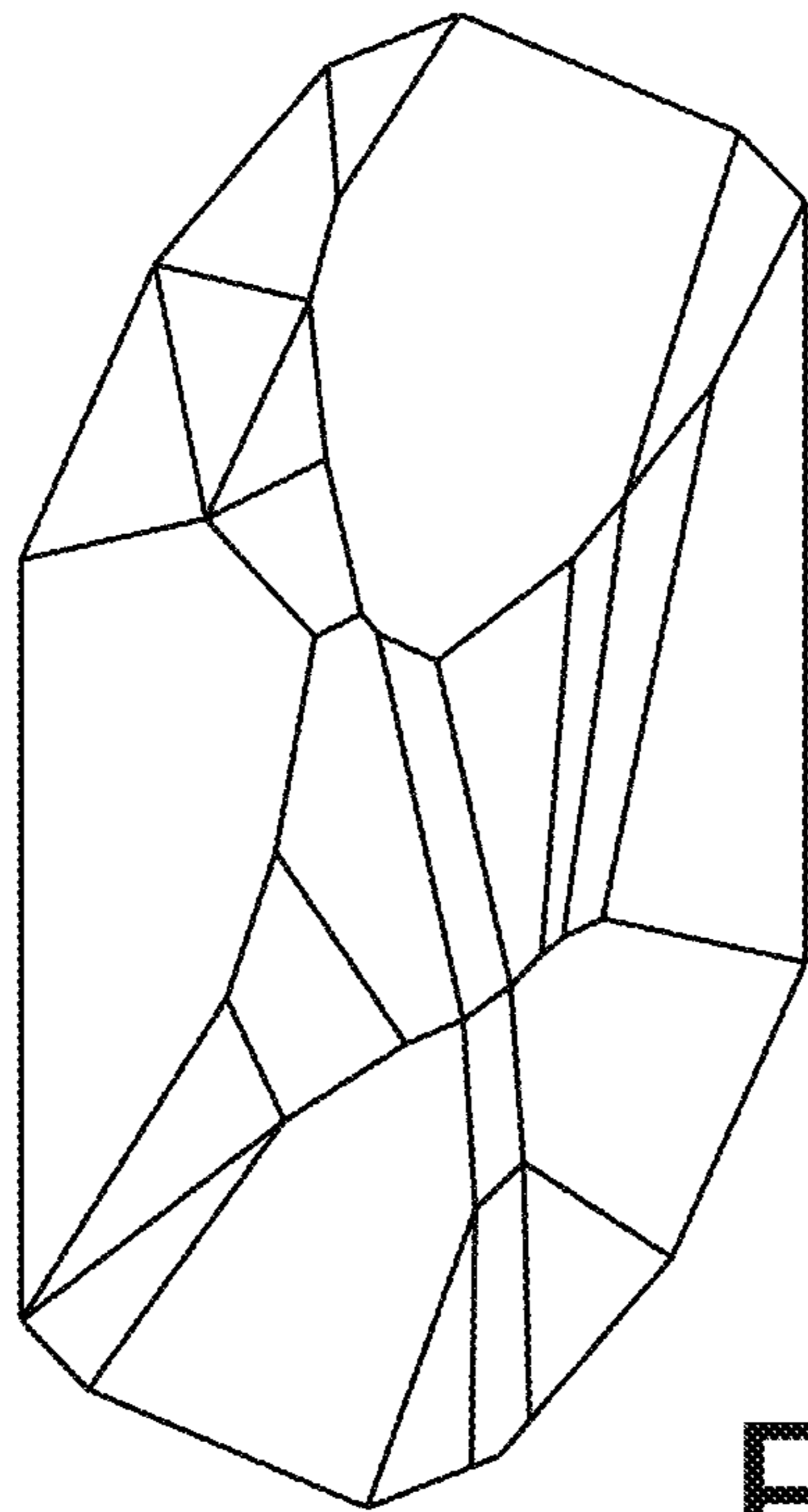


Fig. 8

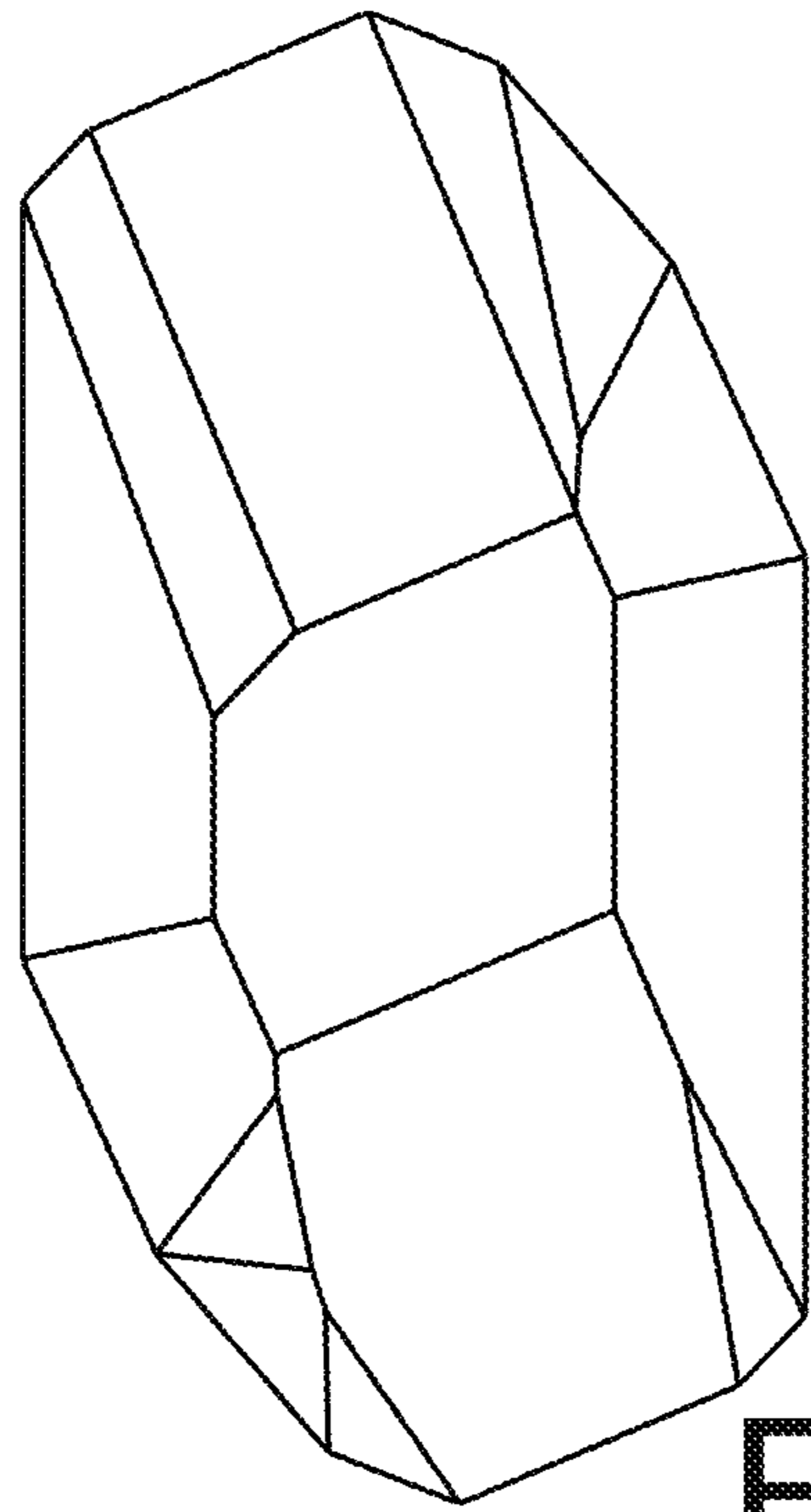


Fig. 9

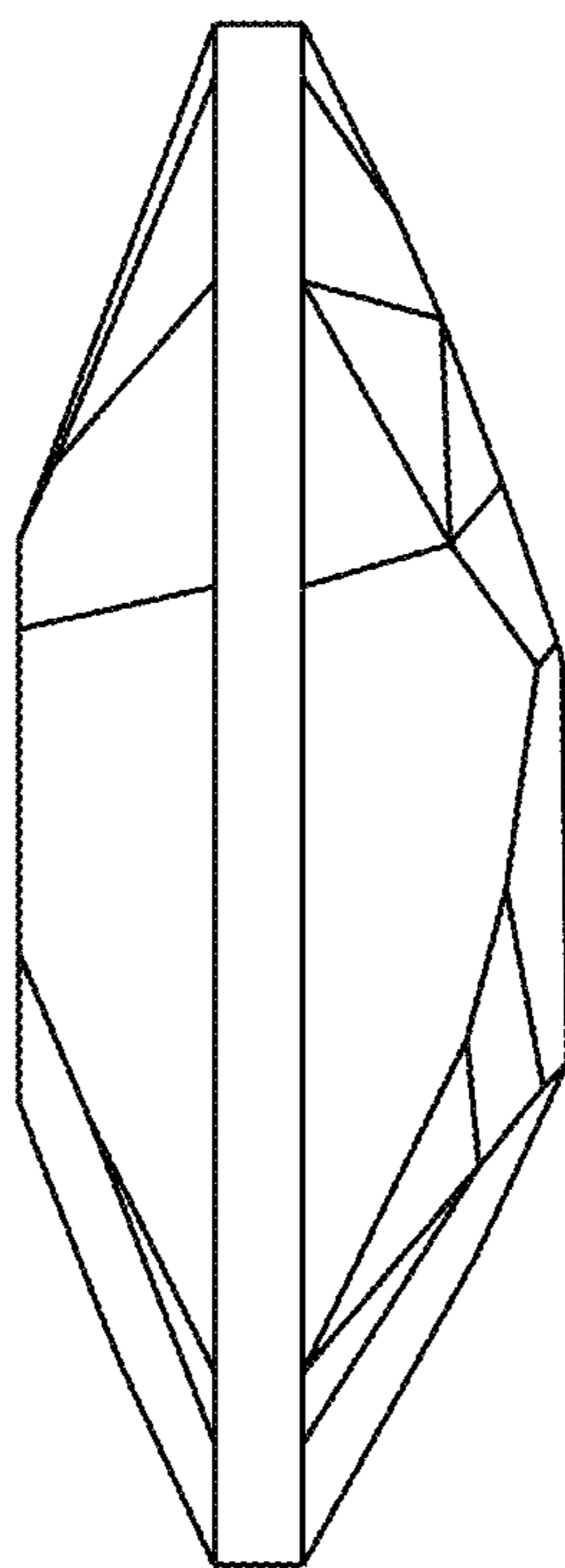


Fig. 10

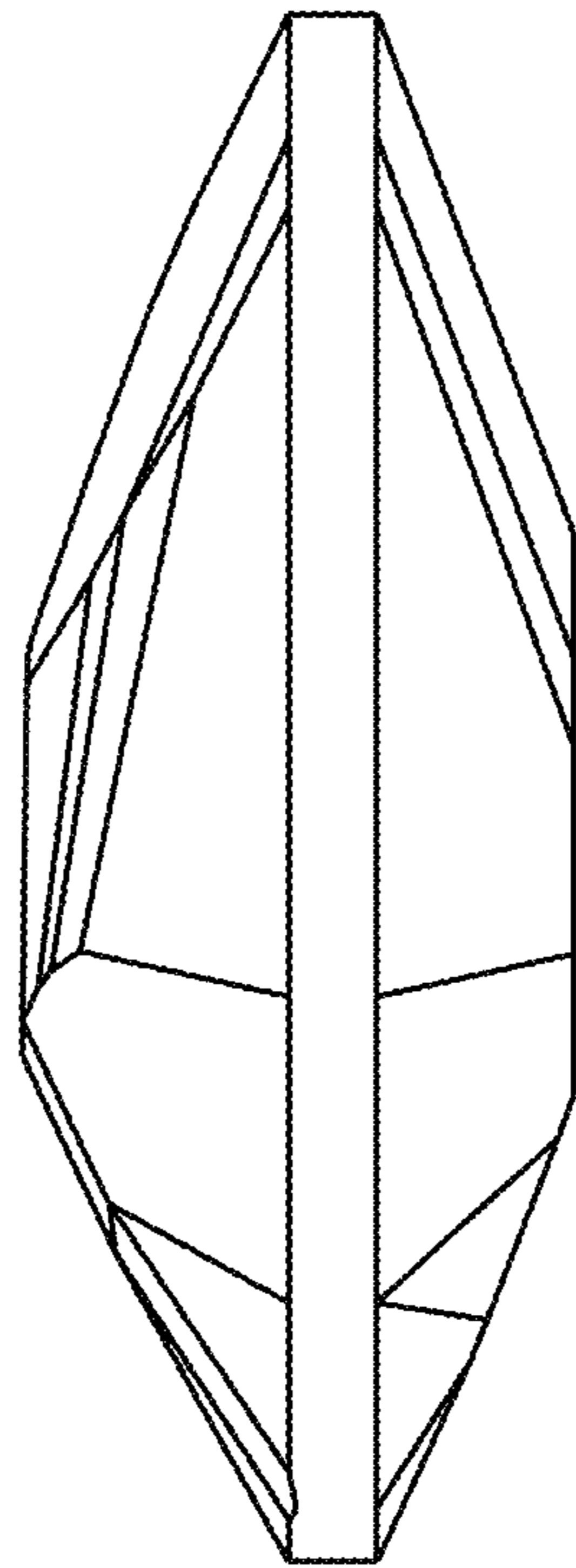


Fig. 11

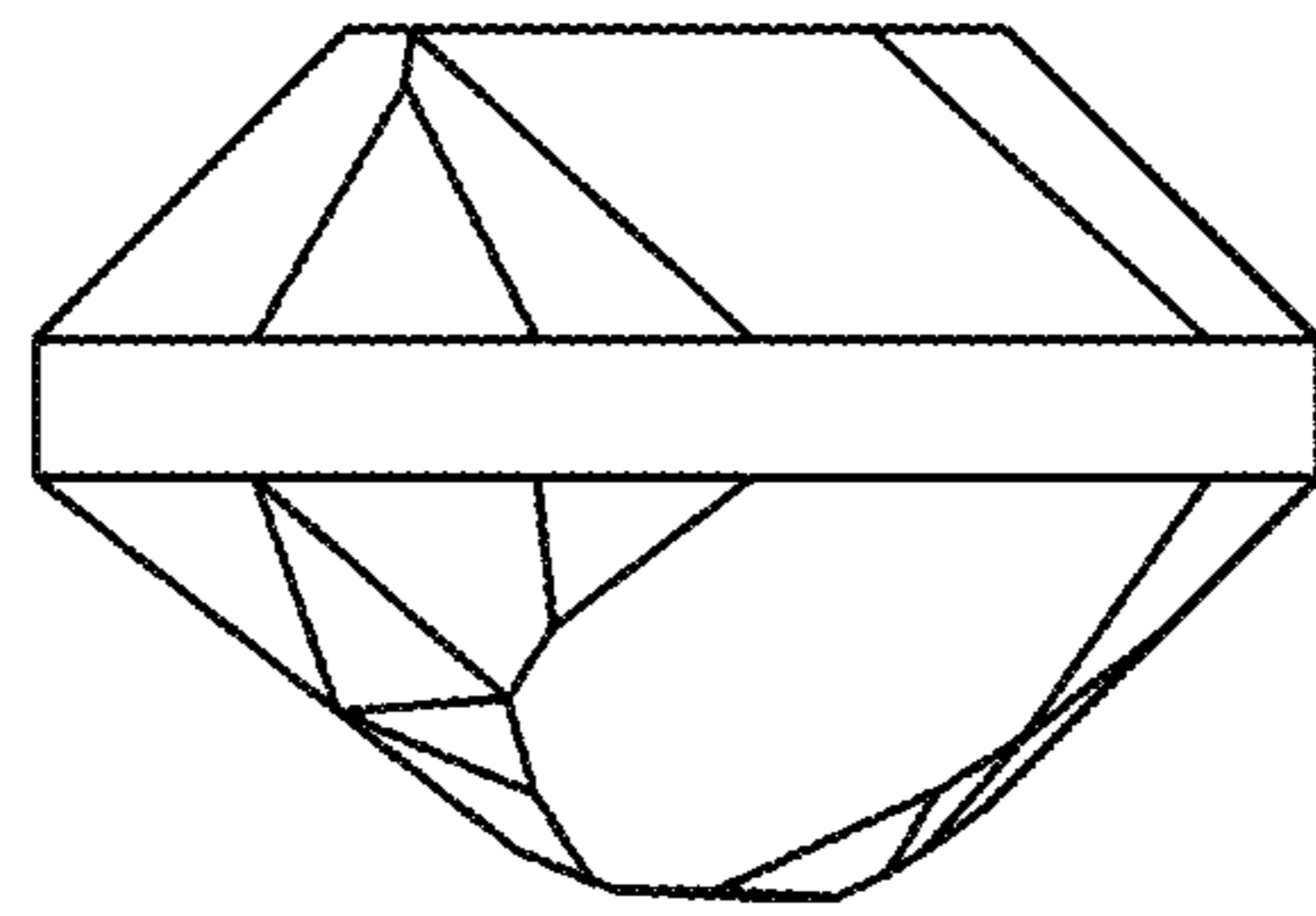


Fig. 12

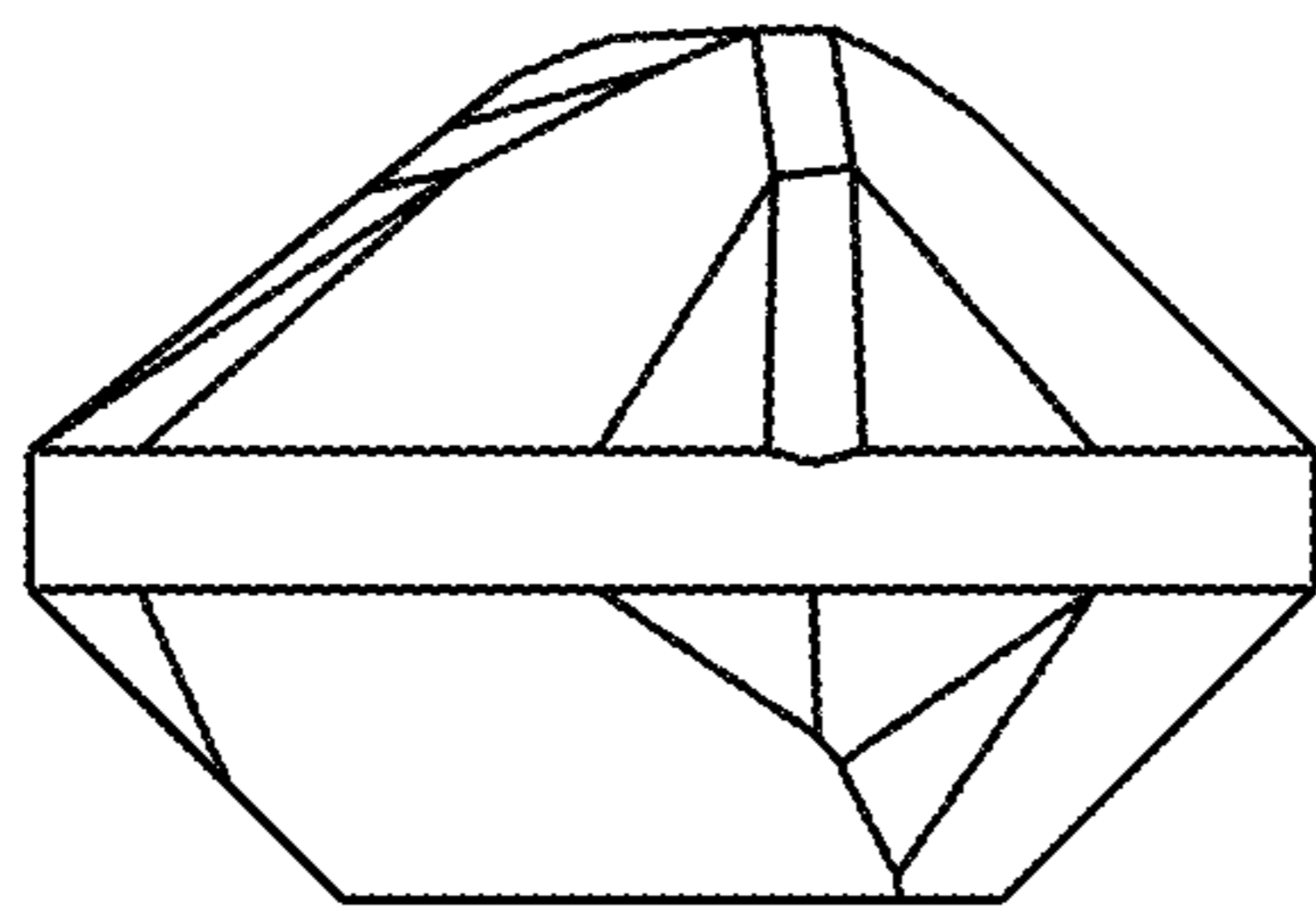


Fig. 13

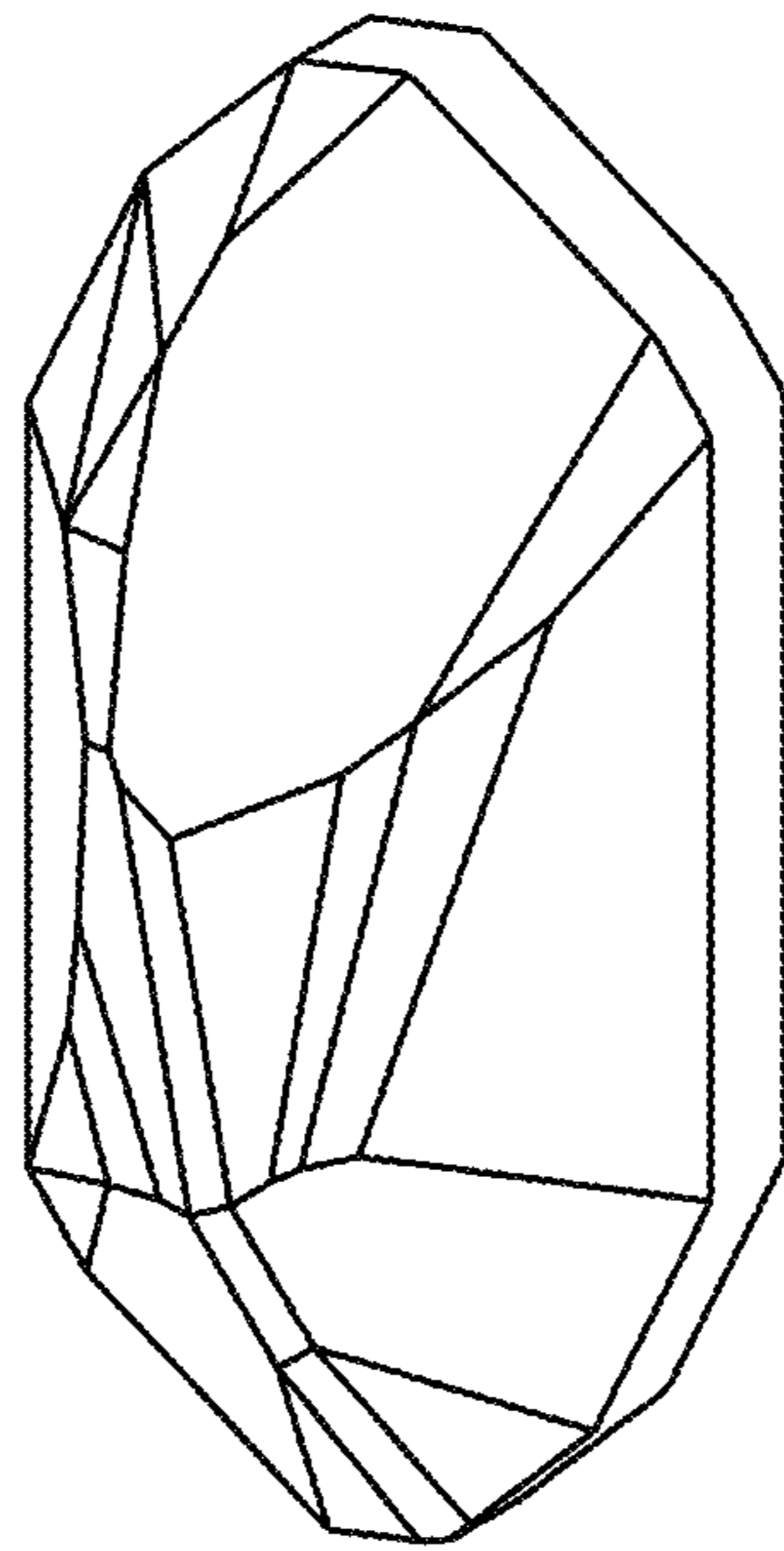


Fig. 14