

US00D691914S

(12) **United States Design Patent**
Barier et al.

(10) **Patent No.:** **US D691,914 S**

(45) **Date of Patent:** **** Oct. 22, 2013**

(54) **HINGED BACKING APPARATUS FOR JEWELRY AND PIERCINGS**

2004/0074258 A1* 4/2004 Gavara 63/12
2006/0048541 A1* 3/2006 Khyvat 63/12
2006/0090509 A1* 5/2006 Jones et al. 63/12

(71) Applicants: **Sebastien Barier**, Ezanville (FR);
Daniel Abou Assi, Aubervilliers (FR)

* cited by examiner

(72) Inventors: **Sebastien Barier**, Ezanville (FR);
Daniel Abou Assi, Aubervilliers (FR)

Primary Examiner — Zenia Bennett

(74) *Attorney, Agent, or Firm* — Dean E. Wolf, Esq.;
EcoTech Law Group, P.C.

(73) Assignee: **ASSI Meca SA**, Delemont (CH)

(57) **CLAIM**

(**) Term: **14 Years**

We claim the ornamental design for a hinged backing apparatus for jewelry and piercings, as shown and described.

(21) Appl. No.: **29/440,634**

DESCRIPTION

(22) Filed: **Dec. 24, 2012**

Related U.S. Application Data

(62) Division of application No. 13/716,125, filed on Dec. 15, 2012, which is a division of application No. PCT/FR2011/000282, filed on May 9, 2011.

FIG. 1 is a front elevation view of a hinged backing apparatus for jewelry and piercings showing our new design, the rear elevation view being a mirror image thereof;

(51) **LOC (9) Cl.** **11-01**

(52) **U.S. Cl.**

USPC **D11/88**

(58) **Field of Classification Search**

USPC D11/1-2, 40-88, 200-201, 203-206,
D11/210, 212, 214-219, 22, 224, 226; 63/3,
63/3.118-20; 24/163 R, 169-171, 173,
24/177-179, 191, 194-195, 197, 200

FIG. 2 is a right side elevation view of the hinged backing apparatus of FIG. 1, the left side elevation view being a mirror image thereof;

FIG. 3 is a top plan view thereof;

FIG. 4 is a bottom plan view thereof;

FIG. 5 is a top perspective view of the hinged backing apparatus of FIG. 1 showing a stem being separated from a main body, and showing the hinged backing apparatus in a hinged position;

See application file for complete search history.

FIG. 6 is a front elevation view of the hinged backing apparatus of FIG. 1 showing the stem being separated from the main body; and,

(56) **References Cited**

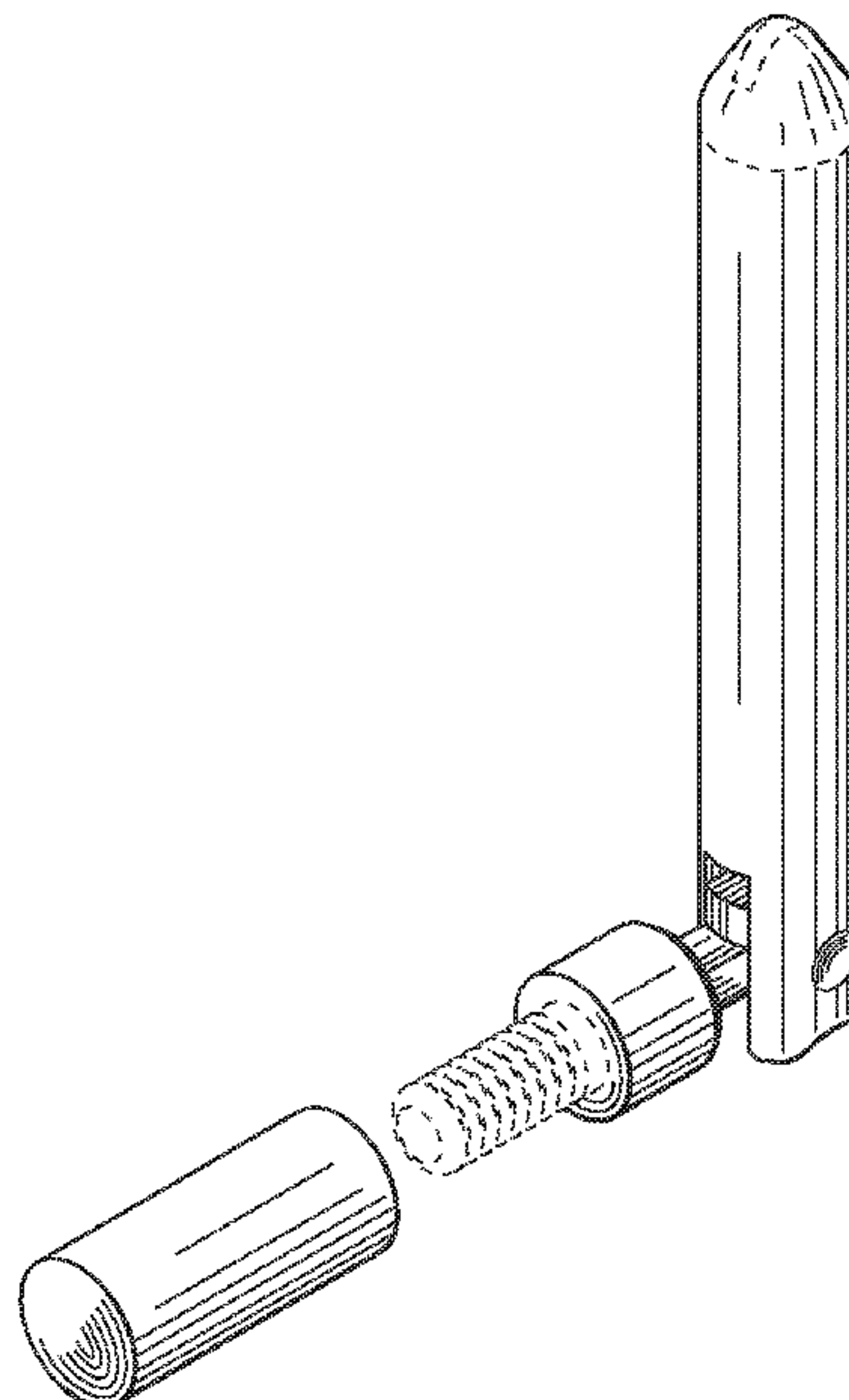
U.S. PATENT DOCUMENTS

5,018,053 A * 5/1991 Belknap et al. 362/104
D365,779 S * 1/1996 Archambeault D11/88
D374,838 S * 10/1996 Levinger D11/86
D397,064 S * 8/1998 Nelson D11/222

FIG. 7 is a top perspective view of the hinged backing apparatus of FIG. 1 showing the hinged backing apparatus in a hinged position.

The broken lines showing the remaining portions of the hinged backing apparatus are for illustrative purposes only and form no part of the claimed design.

1 Claim, 5 Drawing Sheets



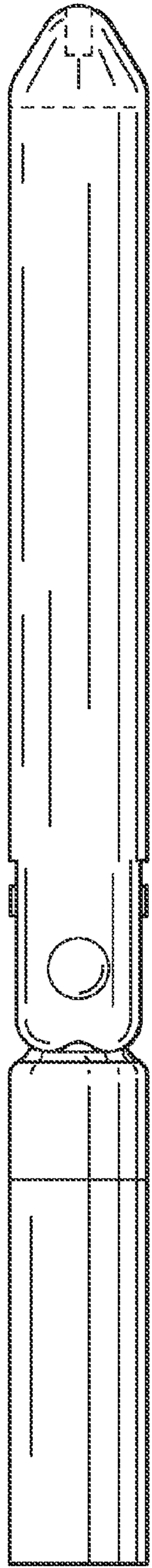


FIG. 1

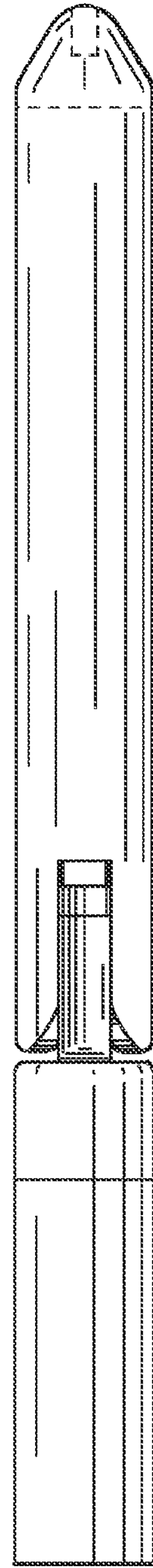


FIG. 2

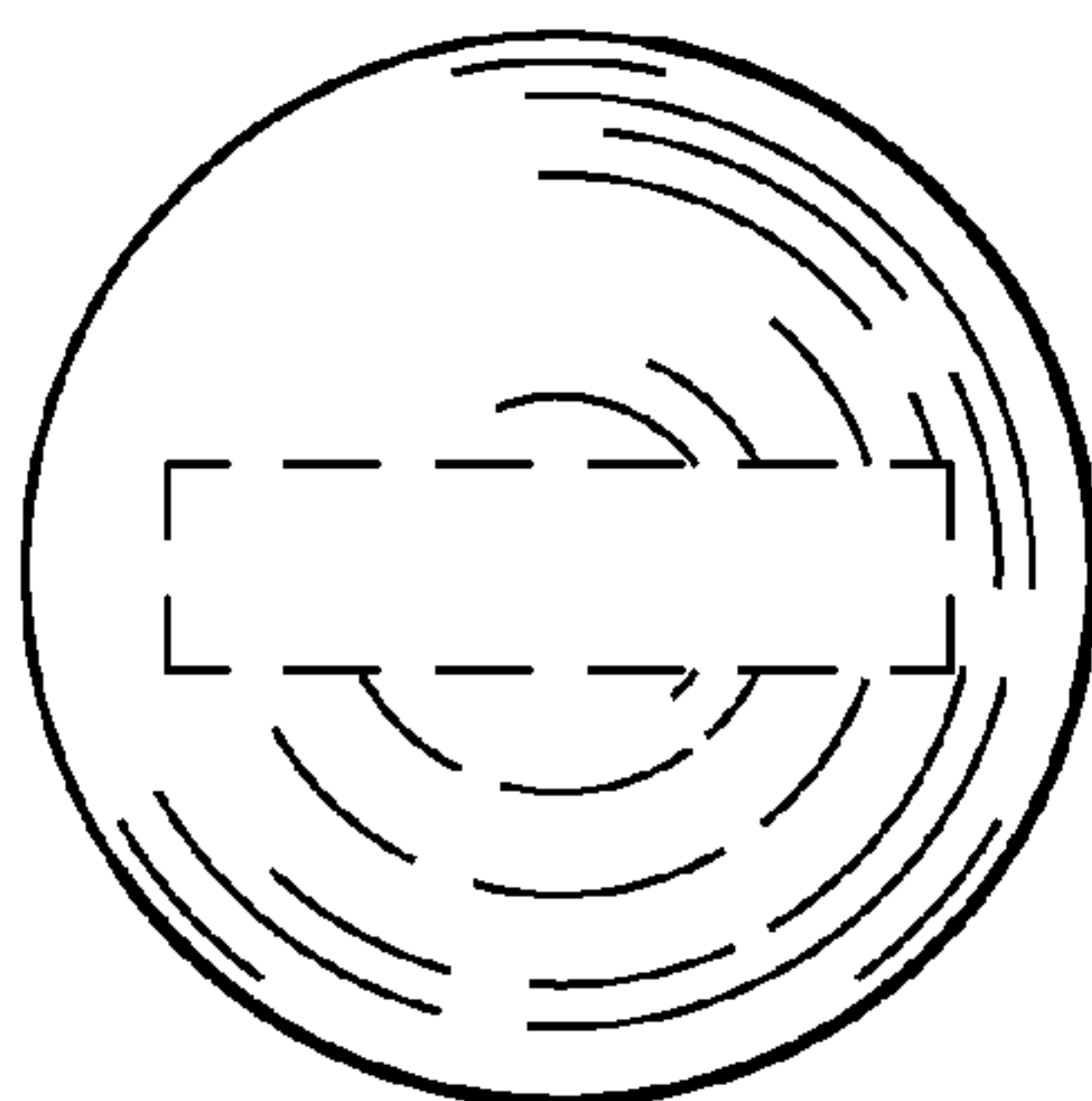


FIG. 3

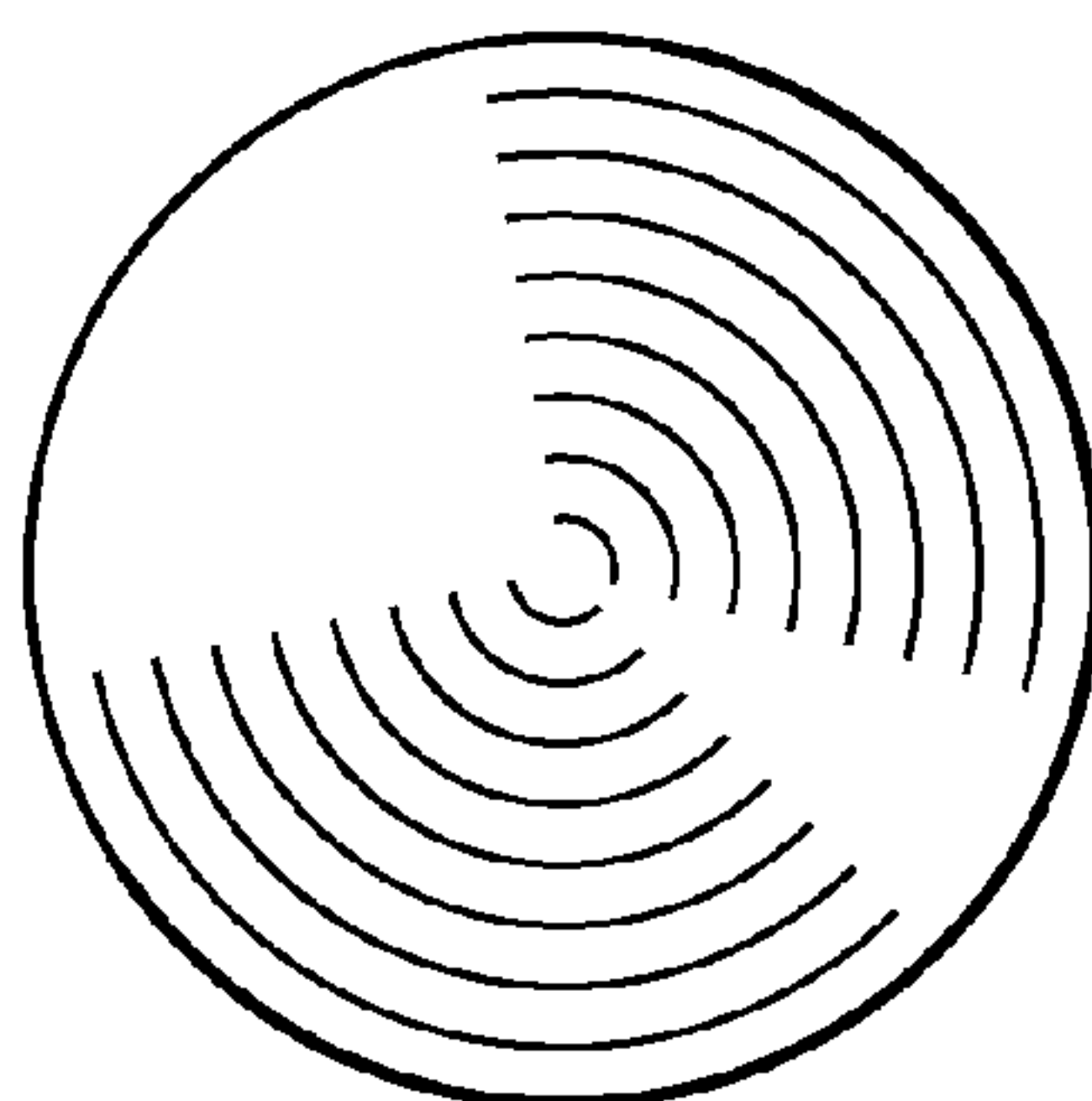


FIG. 4

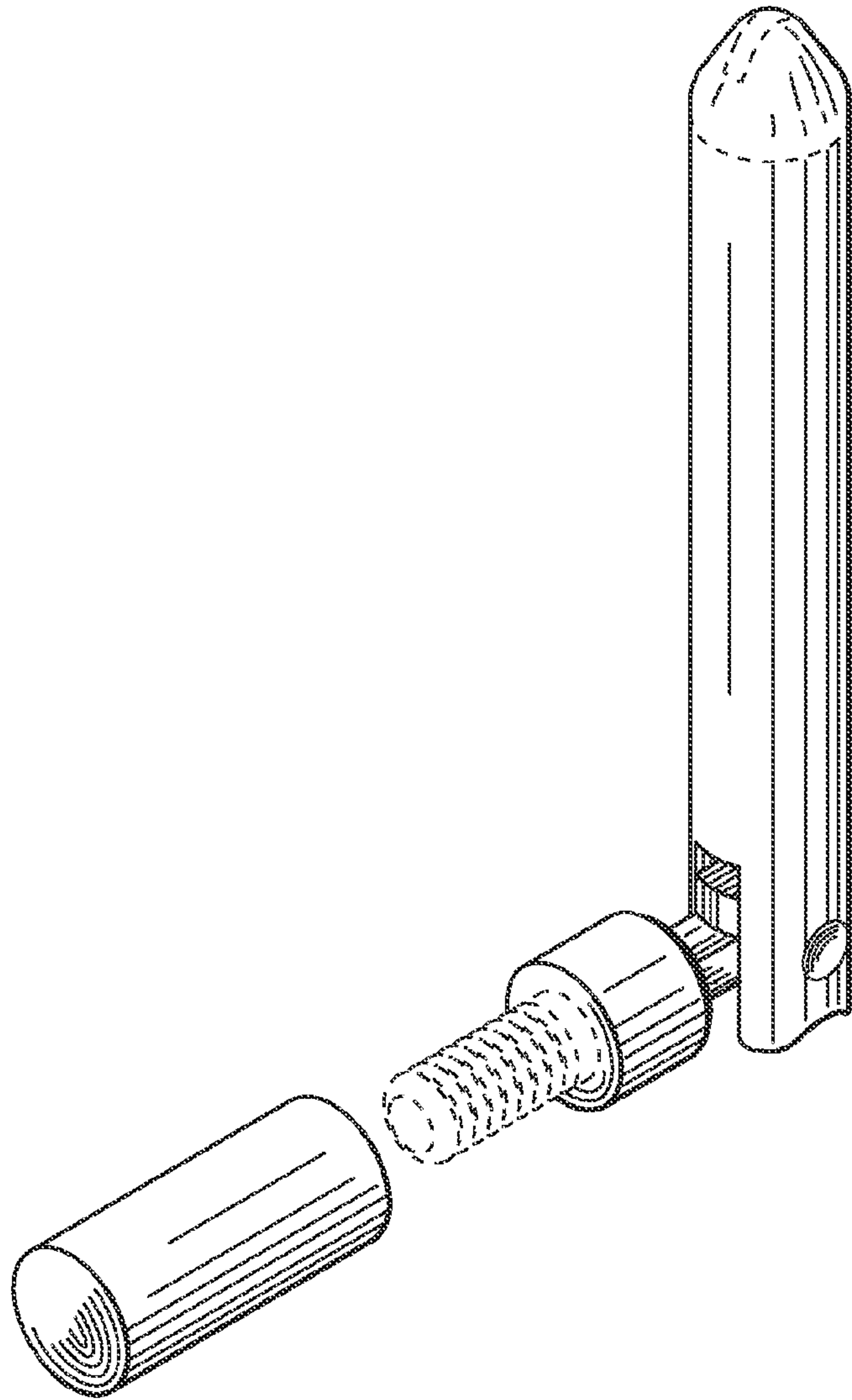


FIG. 5

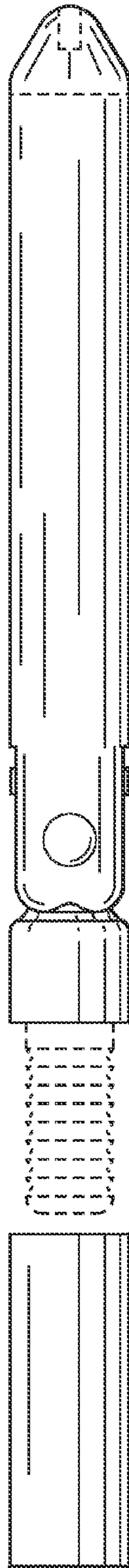


FIG. 6

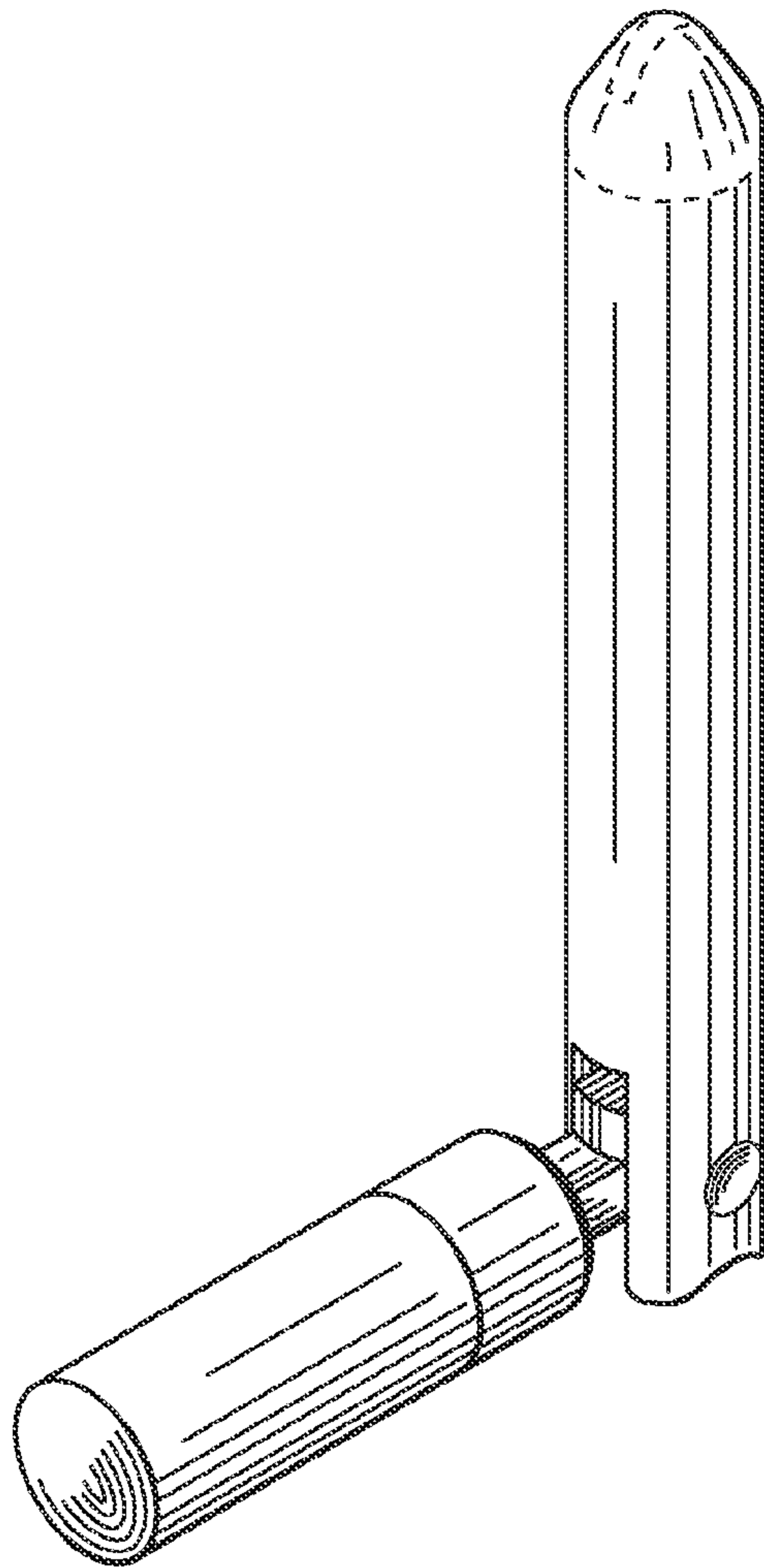


FIG. 7