



US00D691912S

(12) **United States Design Patent**
Hardy

(10) **Patent No.:** **US D691,912 S**

(45) **Date of Patent:** **** Oct. 22, 2013**

(54) **RING**

(56) **References Cited**

(71) Applicant: **Cartier Creation Studio SA**, Geneva
(CH)

(72) Inventor: **Théodora Hardy**, Paris (FR)

(73) Assignee: **Cartier Creation Studio SA**, Geneva
(CH)

(**) Term: **14 Years**

(21) Appl. No.: **29/444,480**

(22) Filed: **Jan. 31, 2013**

(30) **Foreign Application Priority Data**

Aug. 3, 2012 (WO) DM/079 175

(51) **LOC (9) Cl.** **11-01**

(52) **U.S. Cl.**
USPC **D11/34**

(58) **Field of Classification Search**
USPC D11/26-39, 3, 4; 63/15, 15.1-15.4,
63/15.45, 15.5, 15.6, 15.65, 15.7, 26-28

See application file for complete search history.

U.S. PATENT DOCUMENTS

D99,982 S *	6/1936	Arpel	D11/26
D120,492 S *	5/1940	Terryberry et al.	D11/30
D211,488 S *	6/1968	Howe	D11/30
D394,225 S *	5/1998	Mehta	D11/26
D443,548 S *	6/2001	Haquet	D11/26
D493,741 S *	8/2004	Pachachi	D11/26
D553,042 S *	10/2007	Grassi Damiani	D11/5
D569,294 S *	5/2008	Bonoli	D11/26
D612,283 S *	3/2010	Gruosi	D11/26
D622,627 S *	8/2010	Daniel et al.	D11/34
D663,649 S *	7/2012	Gruosi	D11/26

* cited by examiner

Primary Examiner — Jennifer Rivard
Assistant Examiner — Melanie Pellegrini
(74) *Attorney, Agent, or Firm* — Krieg DeVault LLP;
Clifford W. Browning

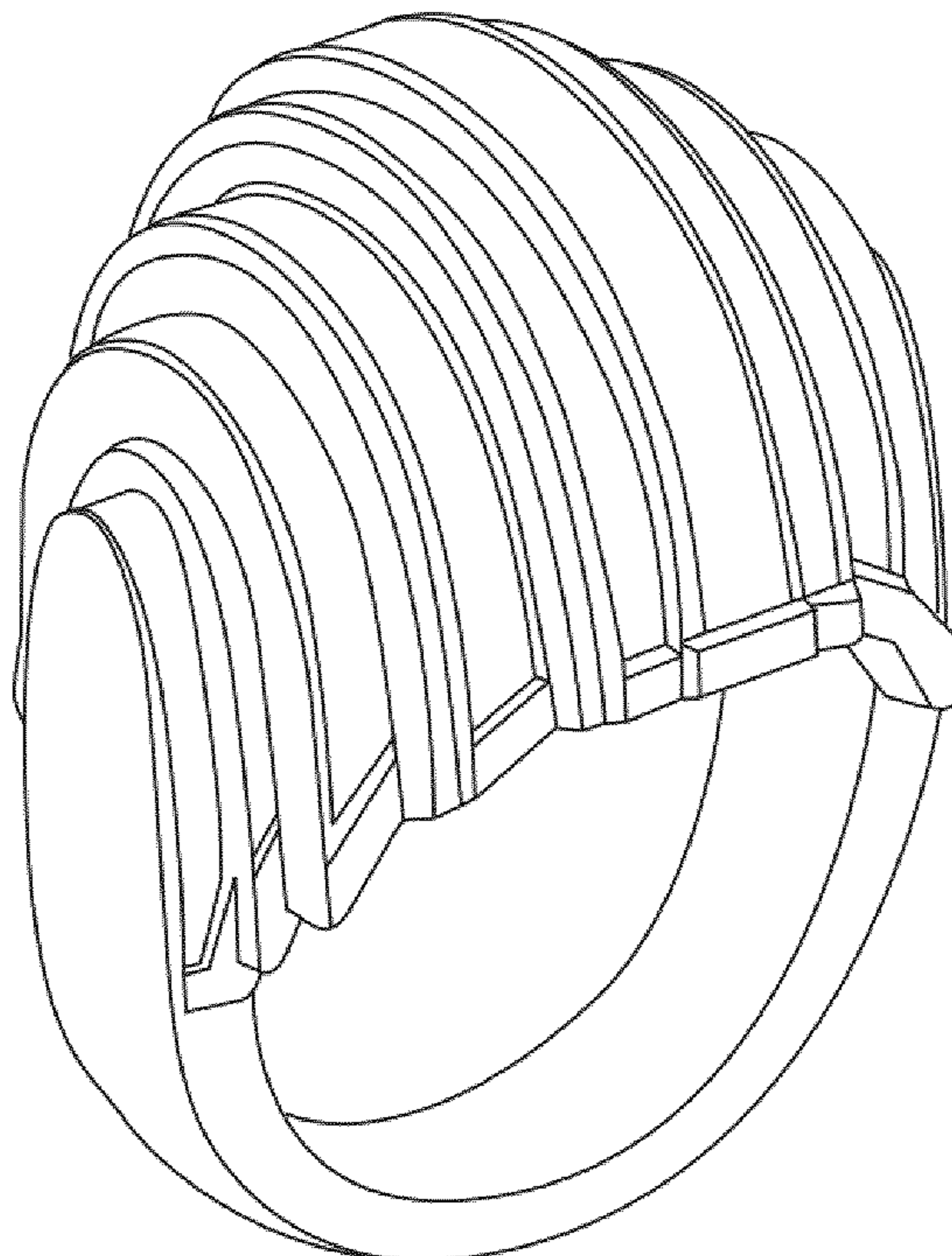
(57) **CLAIM**

The ornamental design for a ring, as shown and described.

DESCRIPTION

FIG. 1 is a top view of the ring of the present invention.
FIG. 2 is a bottom view of the ring of FIG. 1.
FIG. 3 is a front view of the ring of FIG. 1.
FIG. 4 is a rear view of the ring of FIG. 1.
FIG. 5 is a right-side view of the ring of FIG. 1.
FIG. 6 is a left-side view of the ring of FIG. 1; and,
FIG. 7 is top, right-side perspective view of the ring of FIG. 1.

1 Claim, 1 Drawing Sheet



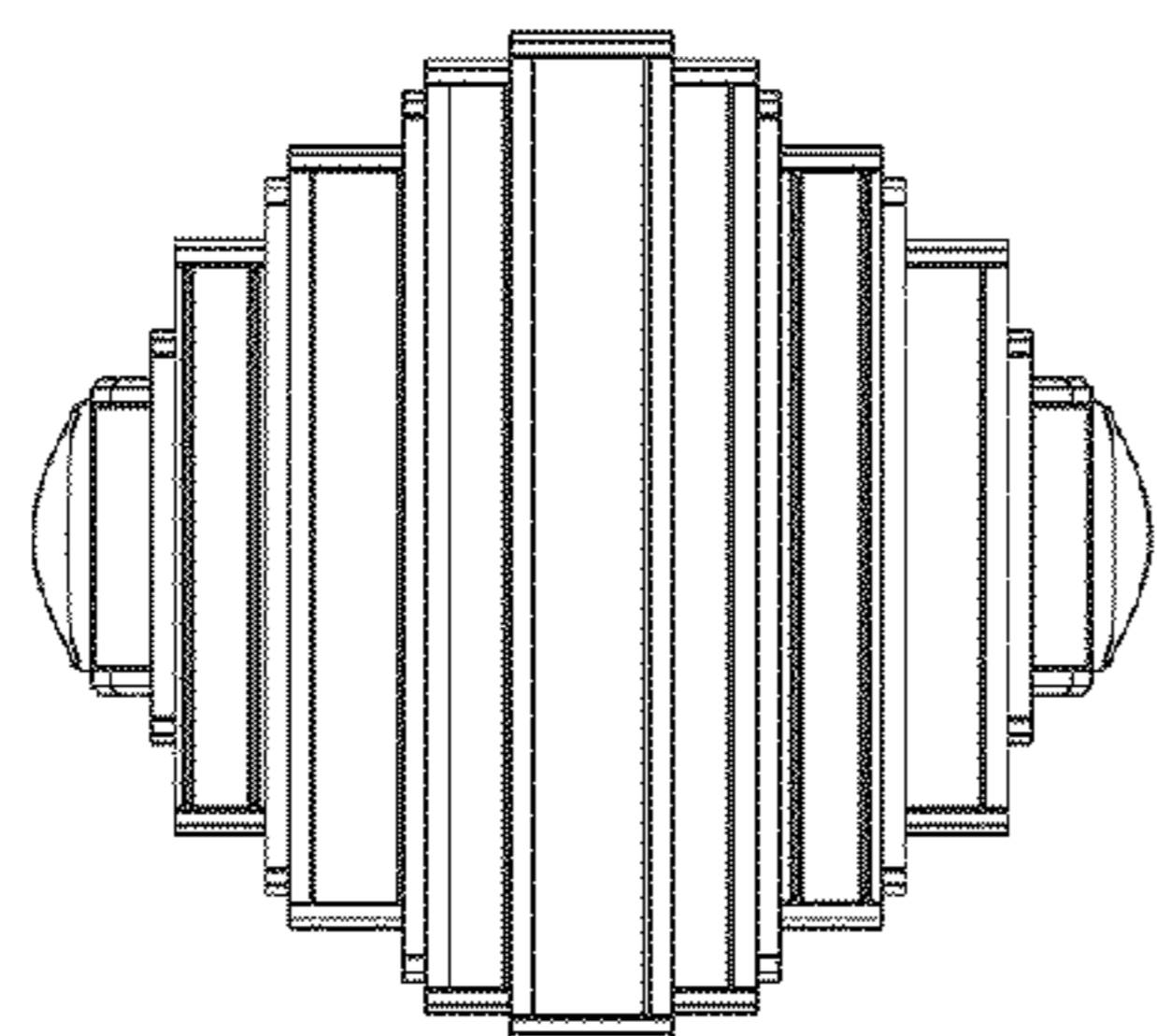


FIG. 1

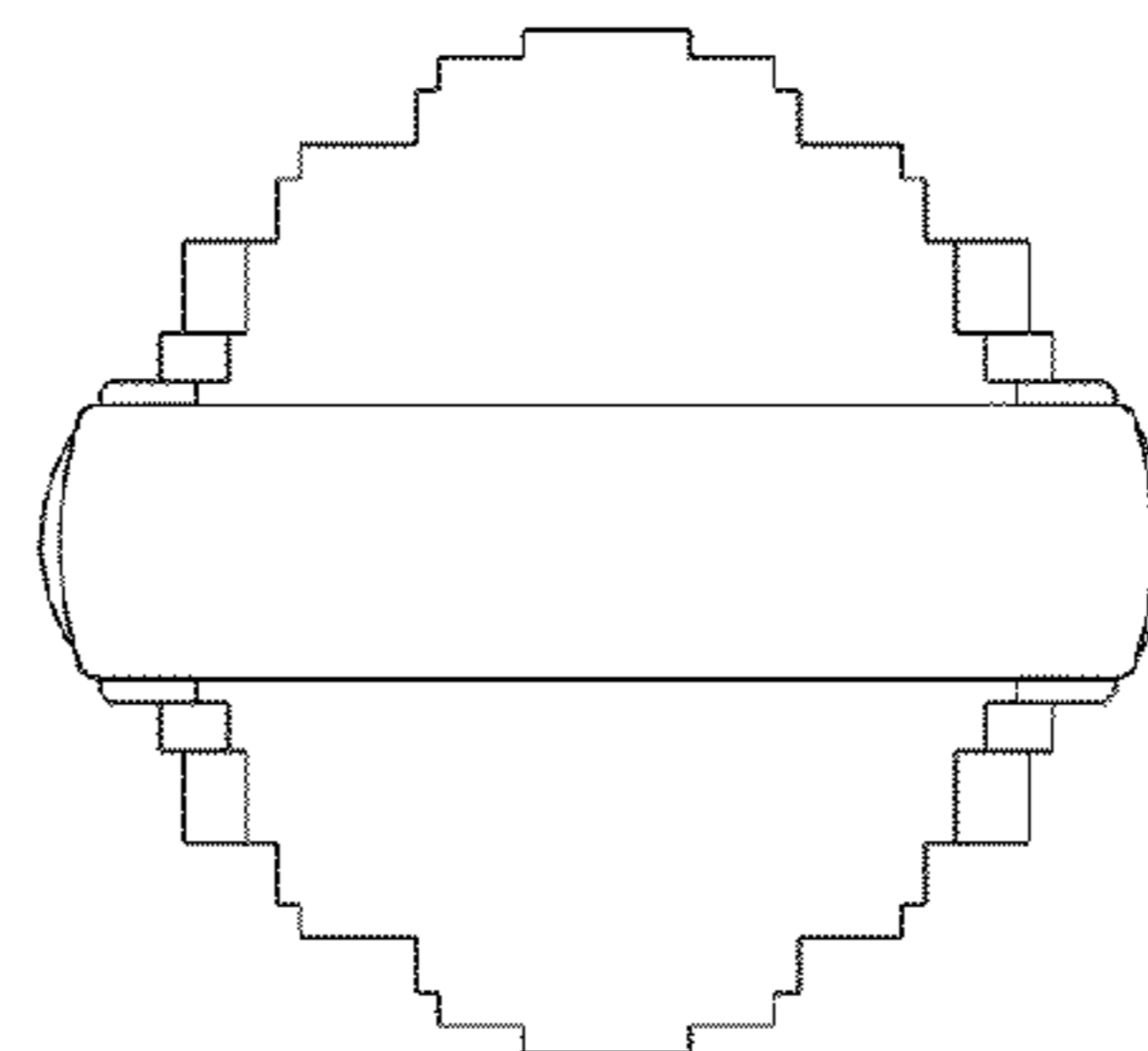


FIG. 2

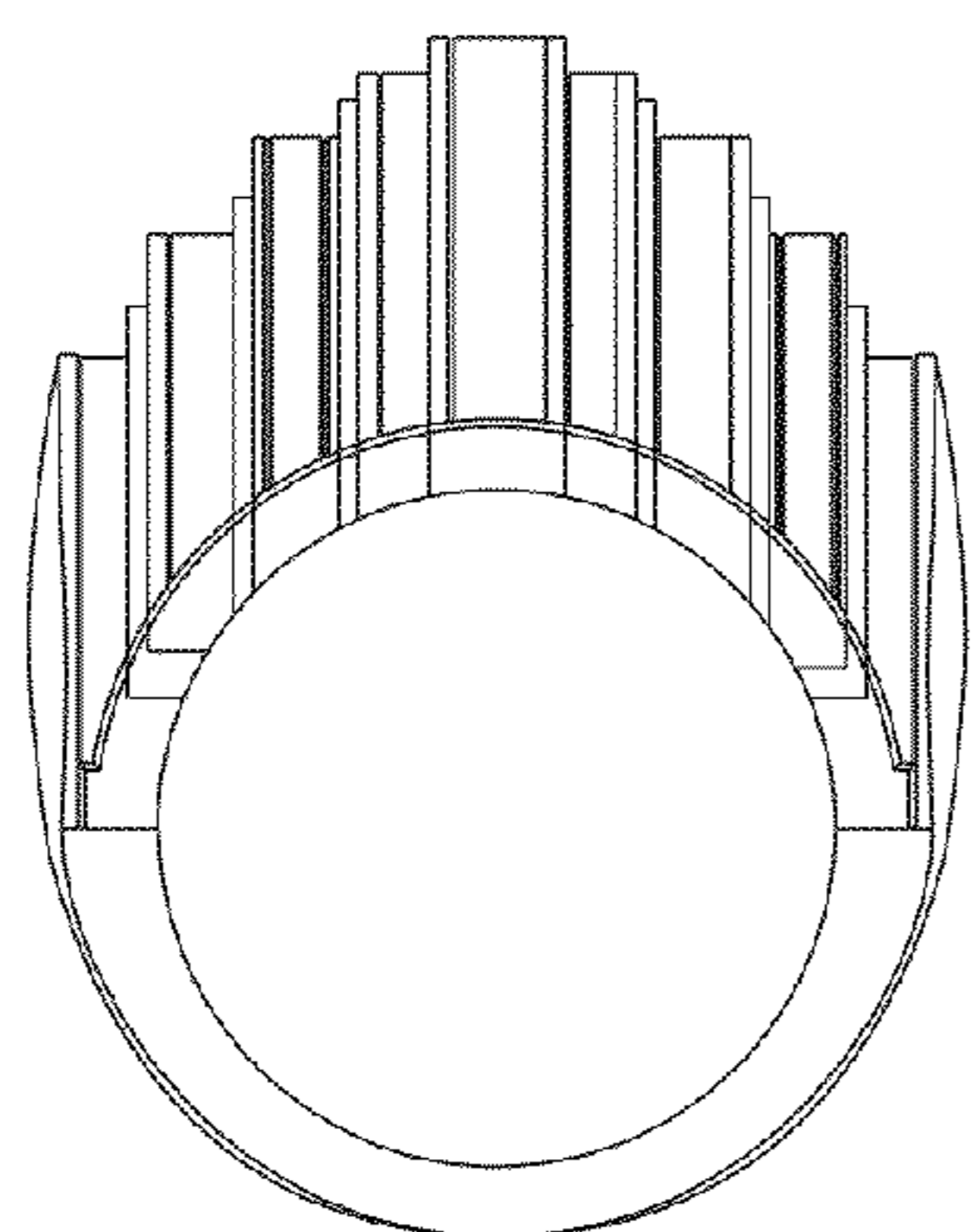


FIG. 3

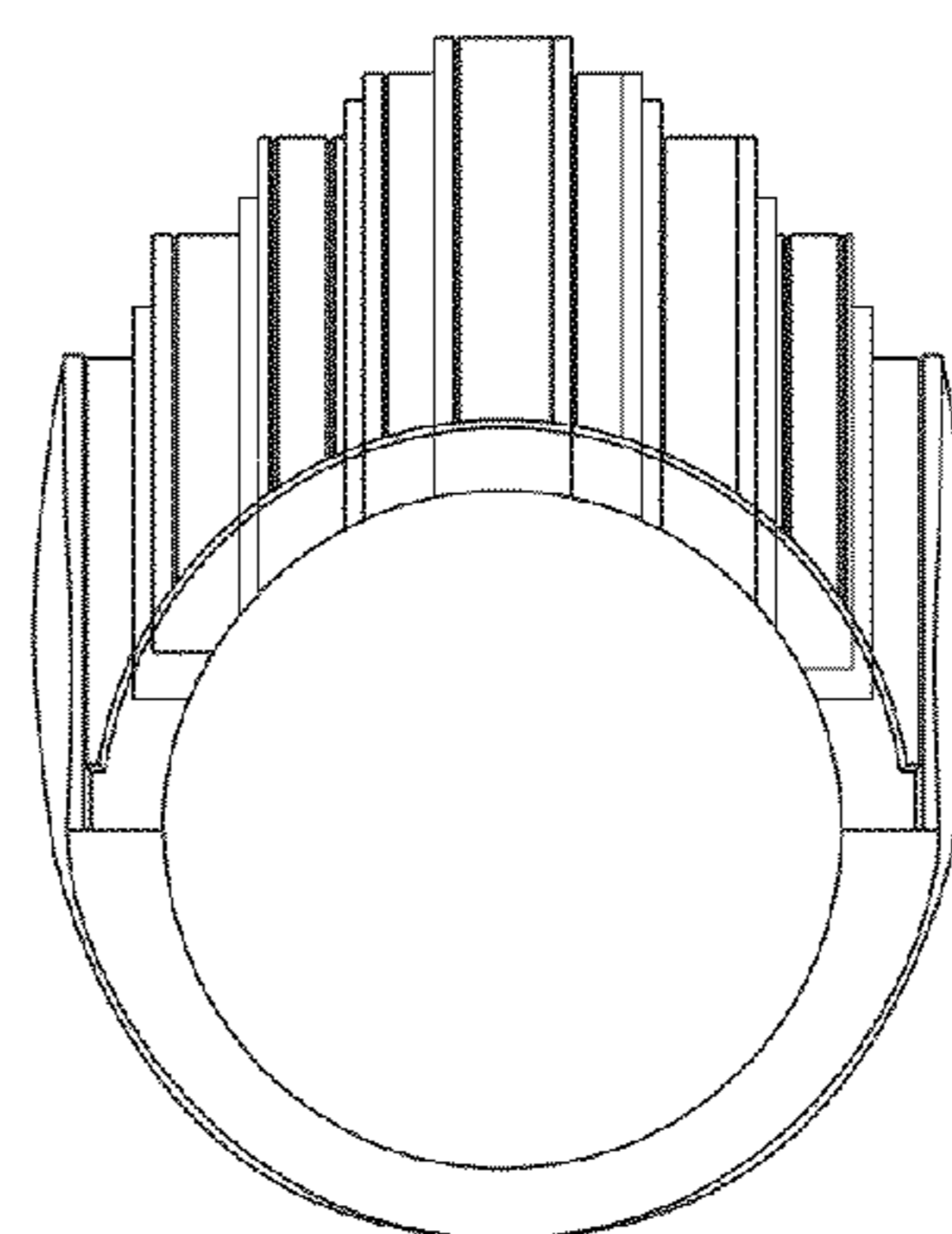


FIG. 4

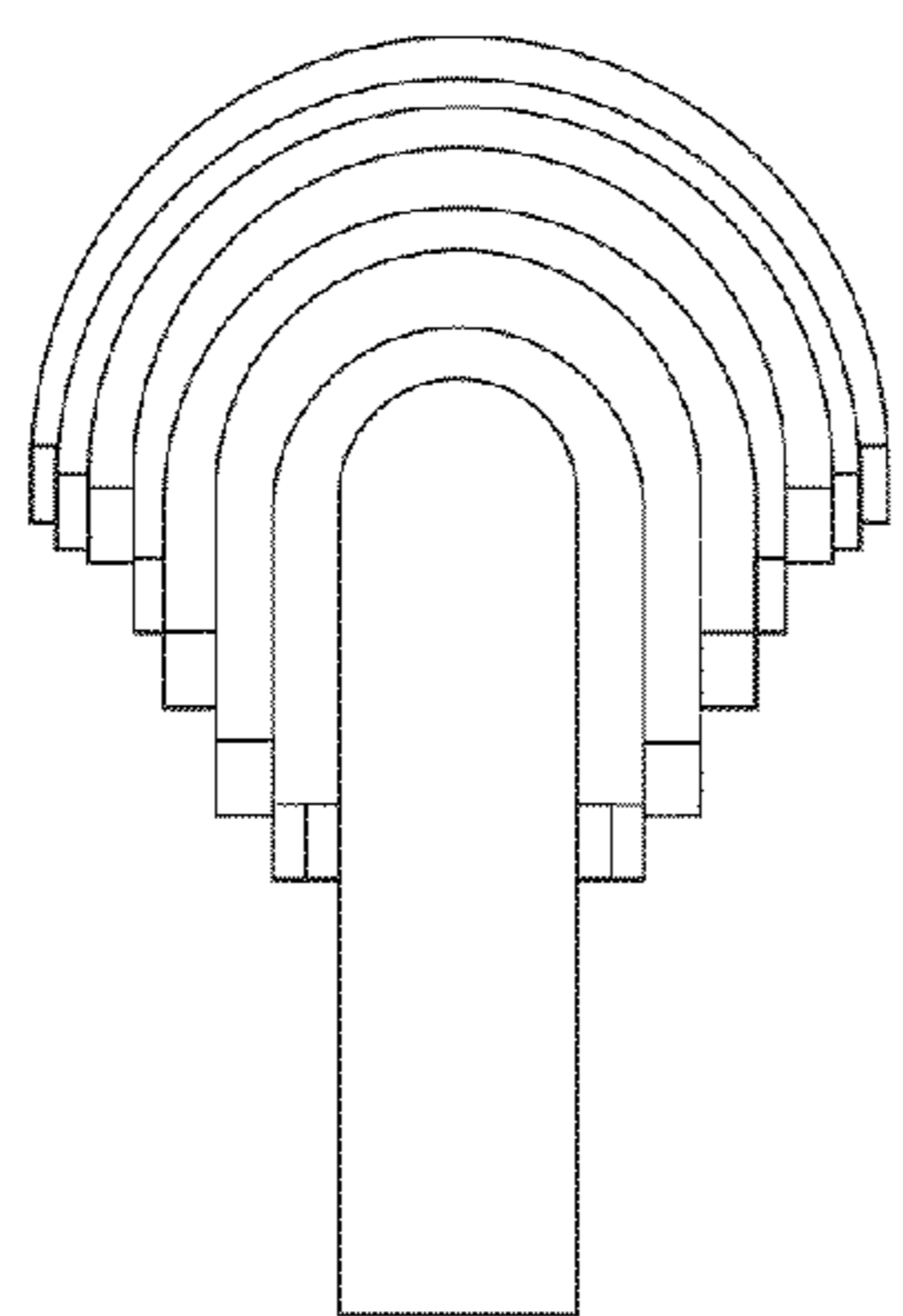


FIG. 5

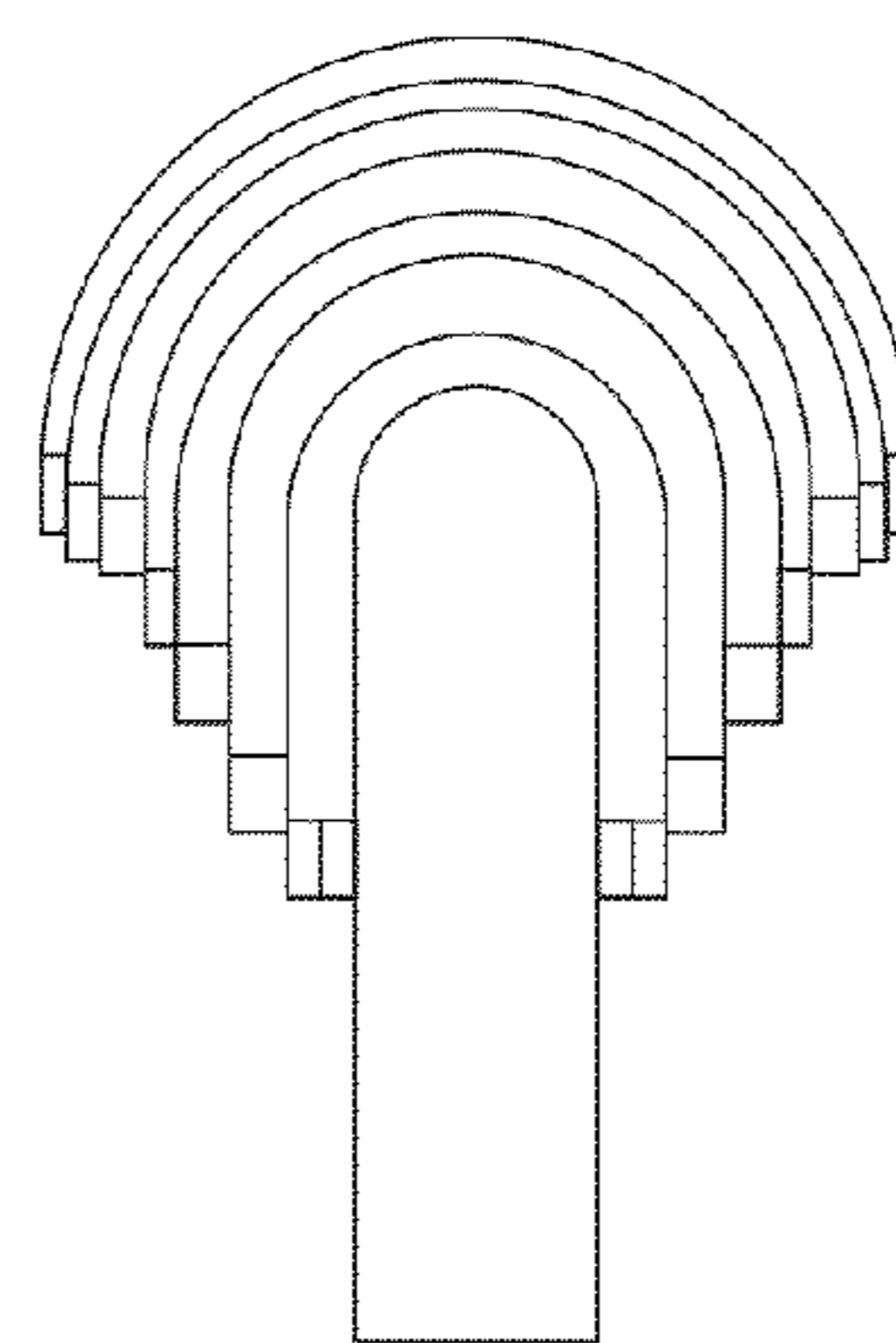


FIG. 6

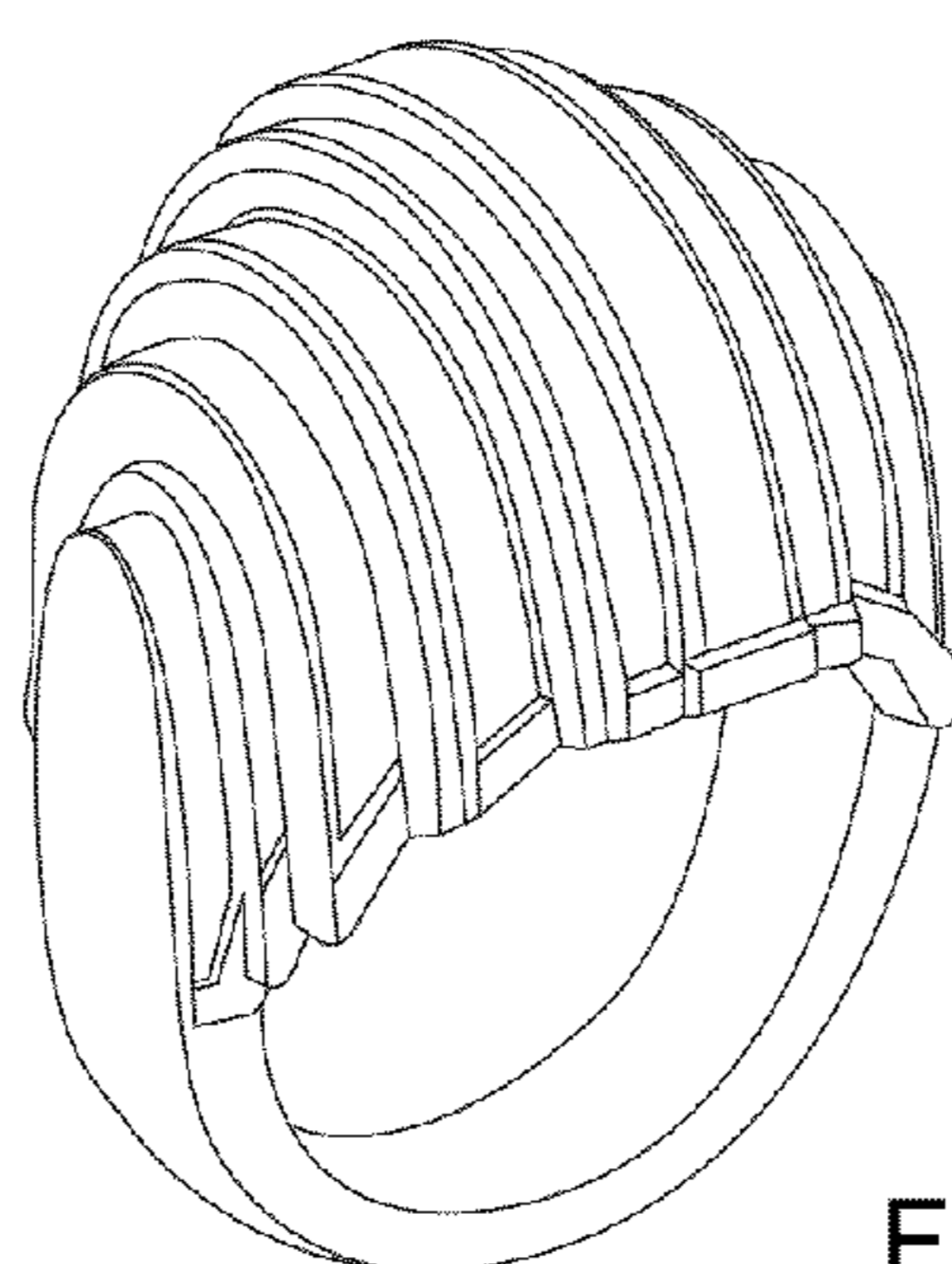


FIG. 7