



US00D691911S

(12) **United States Design Patent**  
**Hardy**

(10) **Patent No.:** **US D691,911 S**  
(45) **Date of Patent:** **\*\* Oct. 22, 2013**

(54) **RING**

(71) Applicant: **Cartier Creation Studio SA**, Geneva  
(CH)

(72) Inventor: **Theodora Hardy**, Paris (FR)

(73) Assignee: **Cartier Creation Studio SA**, Geneva  
(CH)

(\*\*) Term: **14 Years**

(21) Appl. No.: **29/444,476**

(22) Filed: **Jan. 31, 2013**

(30) **Foreign Application Priority Data**

Aug. 3, 2012 (WO) ..... DM/079 175

(51) **LOC (9) Cl.** ..... **11-01**

(52) **U.S. Cl.**  
USPC ..... **D11/26**

(58) **Field of Classification Search**  
USPC ..... D11/26-39, 3, 4; 63/15, 15.1-15.4,  
63/15.45, 15.5, 15.6, 15.65, 15.7, 26-28  
See application file for complete search history.

(56) **References Cited**

U.S. PATENT DOCUMENTS

D76,691 S *	10/1928	Lee	.....	D11/35
D538,194 S *	3/2007	Hardy	.....	D11/30
D549,126 S *	8/2007	Hon	.....	D11/44
D595,176 S *	6/2009	Gruosi	.....	D11/26
D662,850 S *	7/2012	Daniel et al.	.....	D11/26
D665,296 S *	8/2012	Fillon	.....	D11/26
D666,117 S *	8/2012	Le Bail	.....	D11/26

\* cited by examiner

*Primary Examiner* — Jennifer Rivard

*Assistant Examiner* — Melanie Pellegrini

(74) *Attorney, Agent, or Firm* — Krieg DeVault LLP;  
Clifford W. Browning

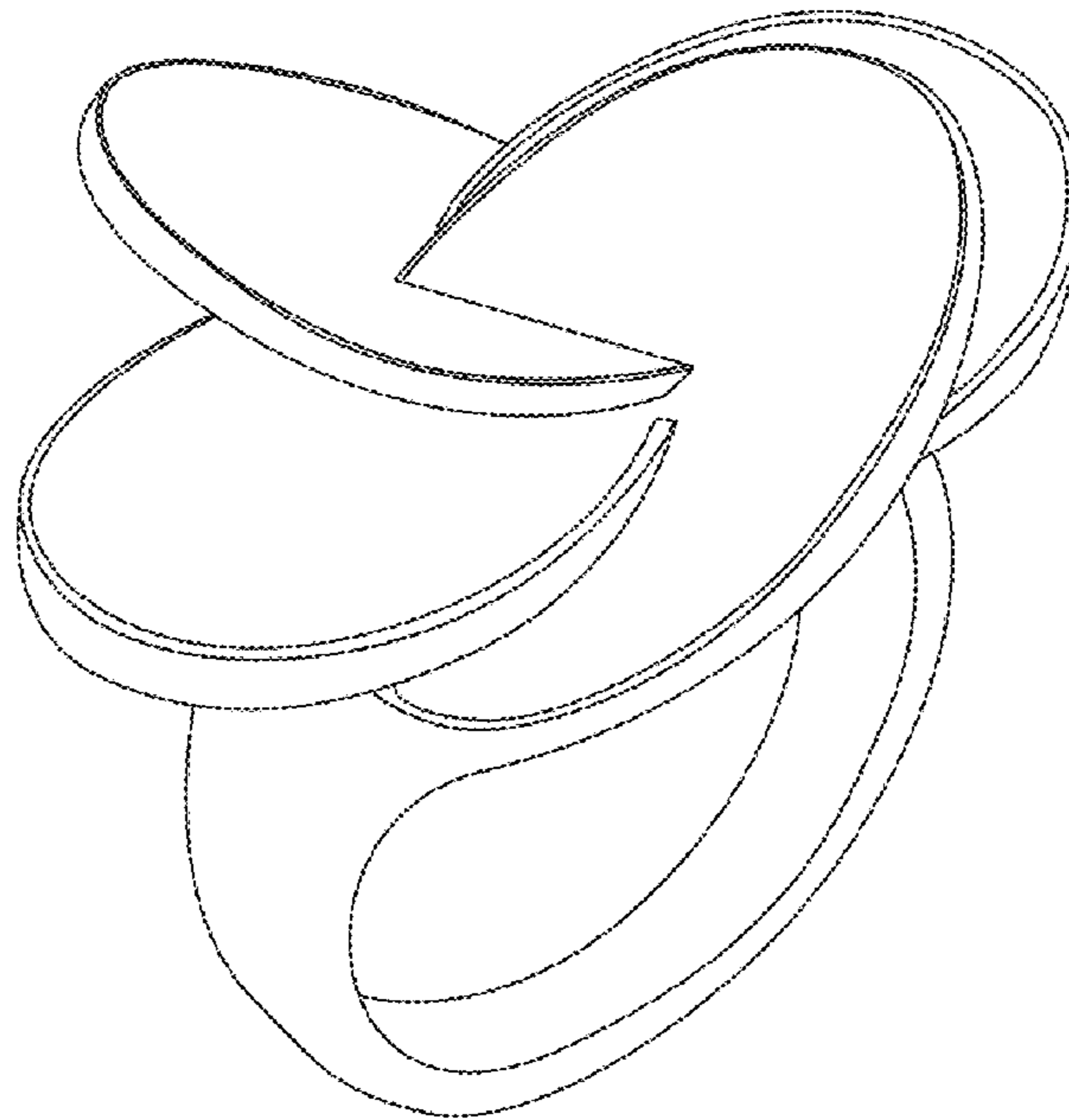
(57) **CLAIM**

The ornamental design for a ring, as shown and described.

**DESCRIPTION**

FIG. 1 is a top view of the ring of the present invention.  
FIG. 2 is a bottom view of the ring of FIG. 1.  
FIG. 3 is a front view of the ring of FIG. 1.  
FIG. 4 is a rear view of the ring of FIG. 1.  
FIG. 5 is a right-side view of the ring of FIG. 1.  
FIG. 6 is a left-side view of the ring of FIG. 1; and,  
FIG. 7 is top, left-side perspective view of the ring of FIG. 1.

**1 Claim, 1 Drawing Sheet**



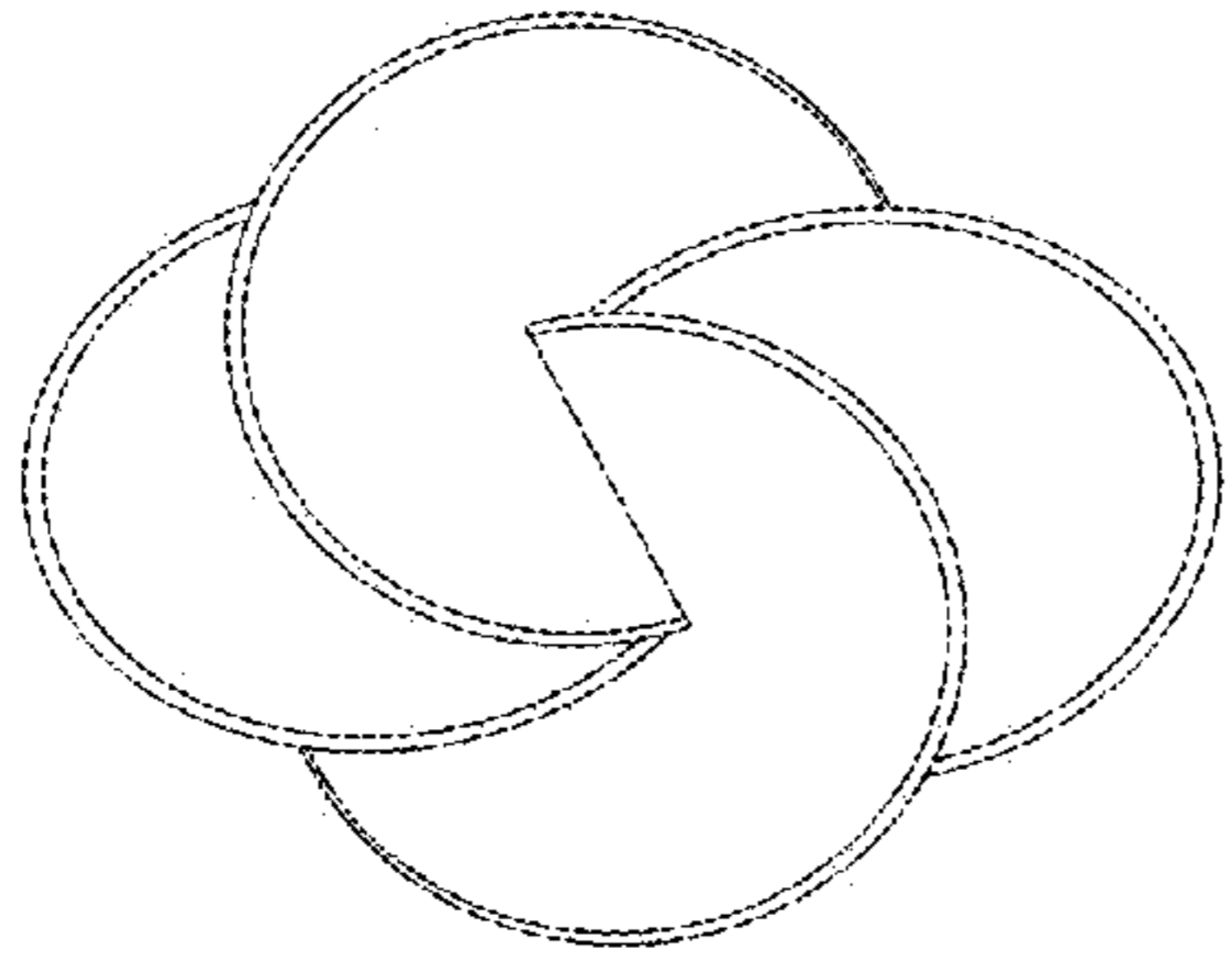


FIG. 1

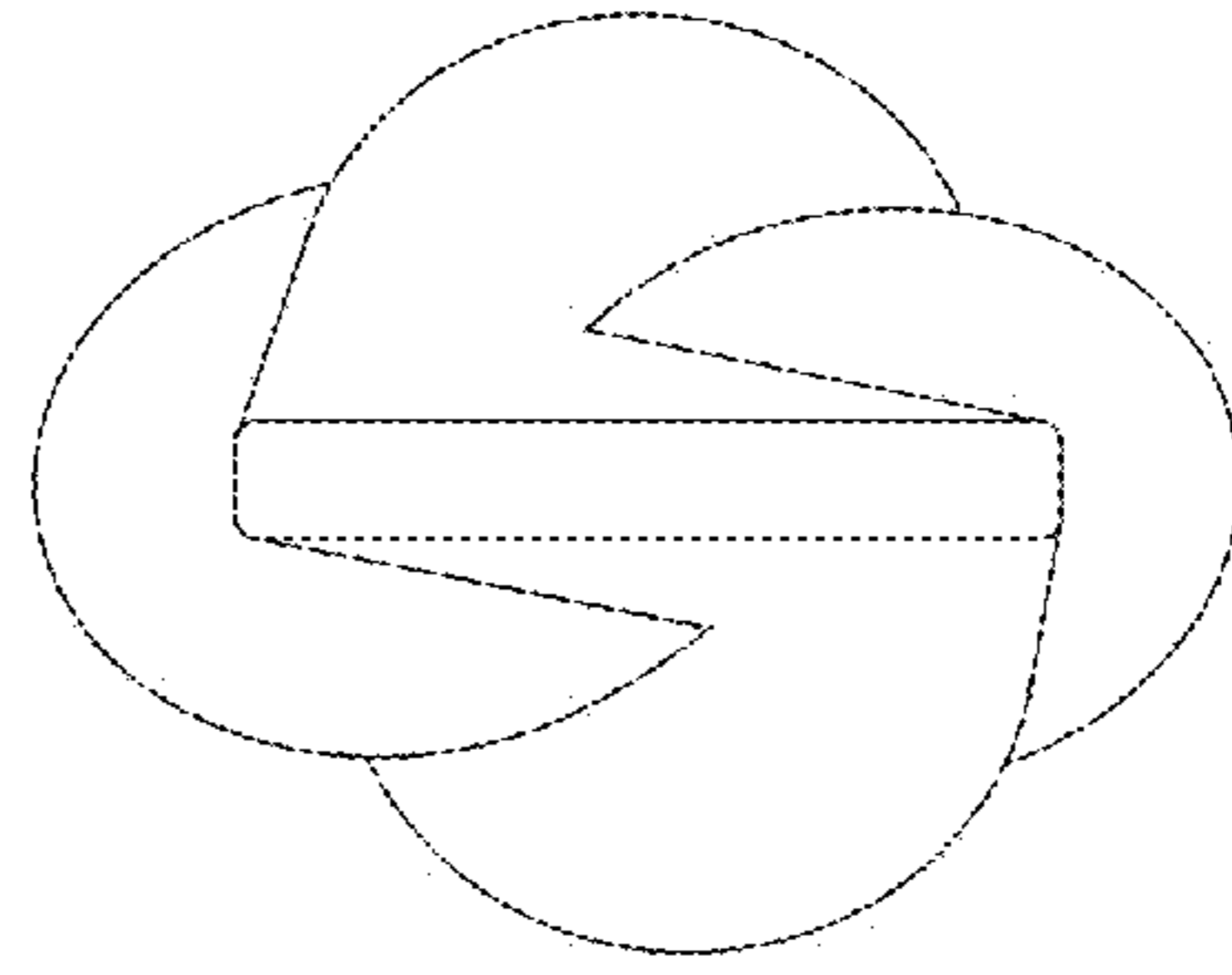


FIG. 2

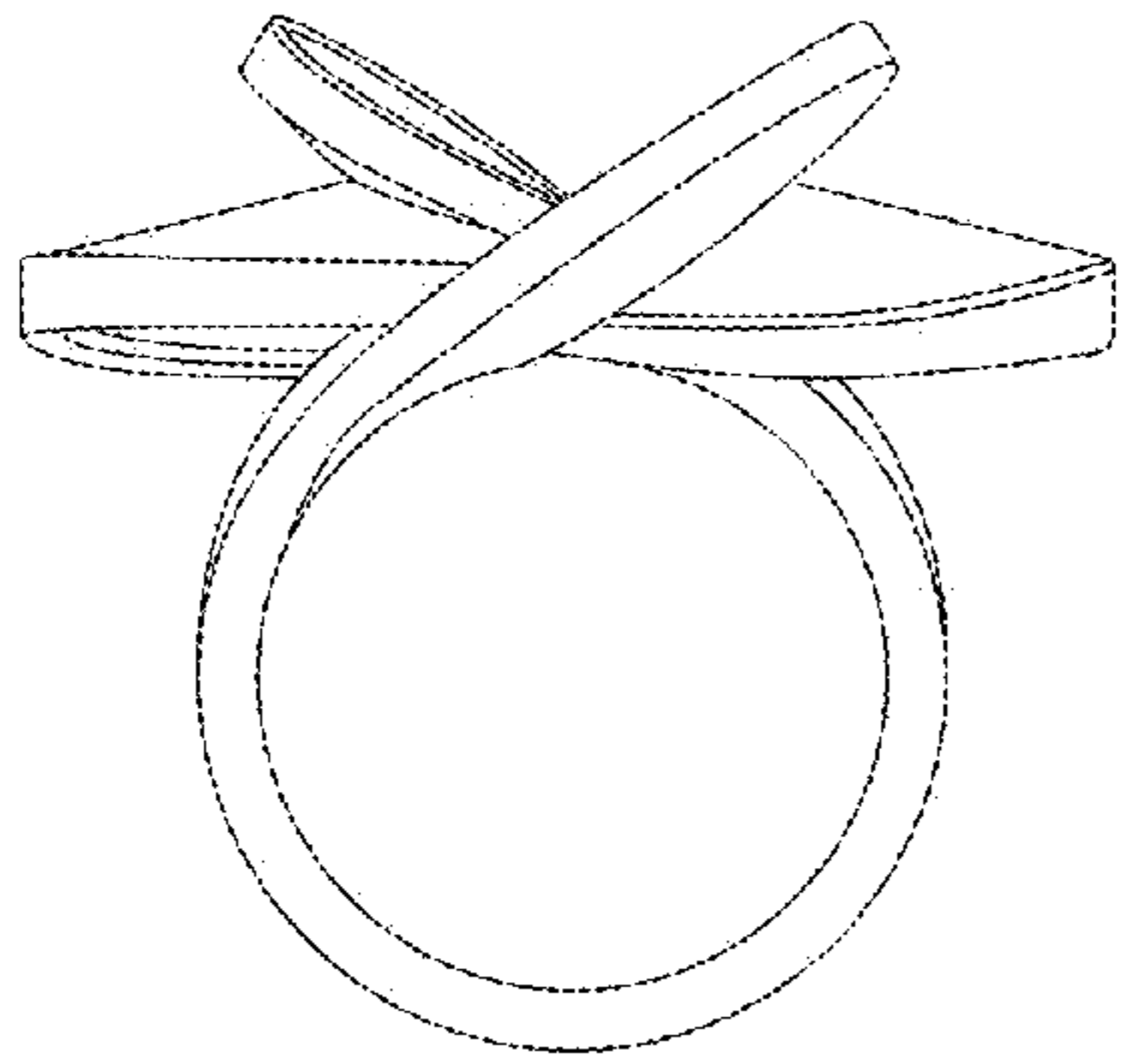


FIG. 3

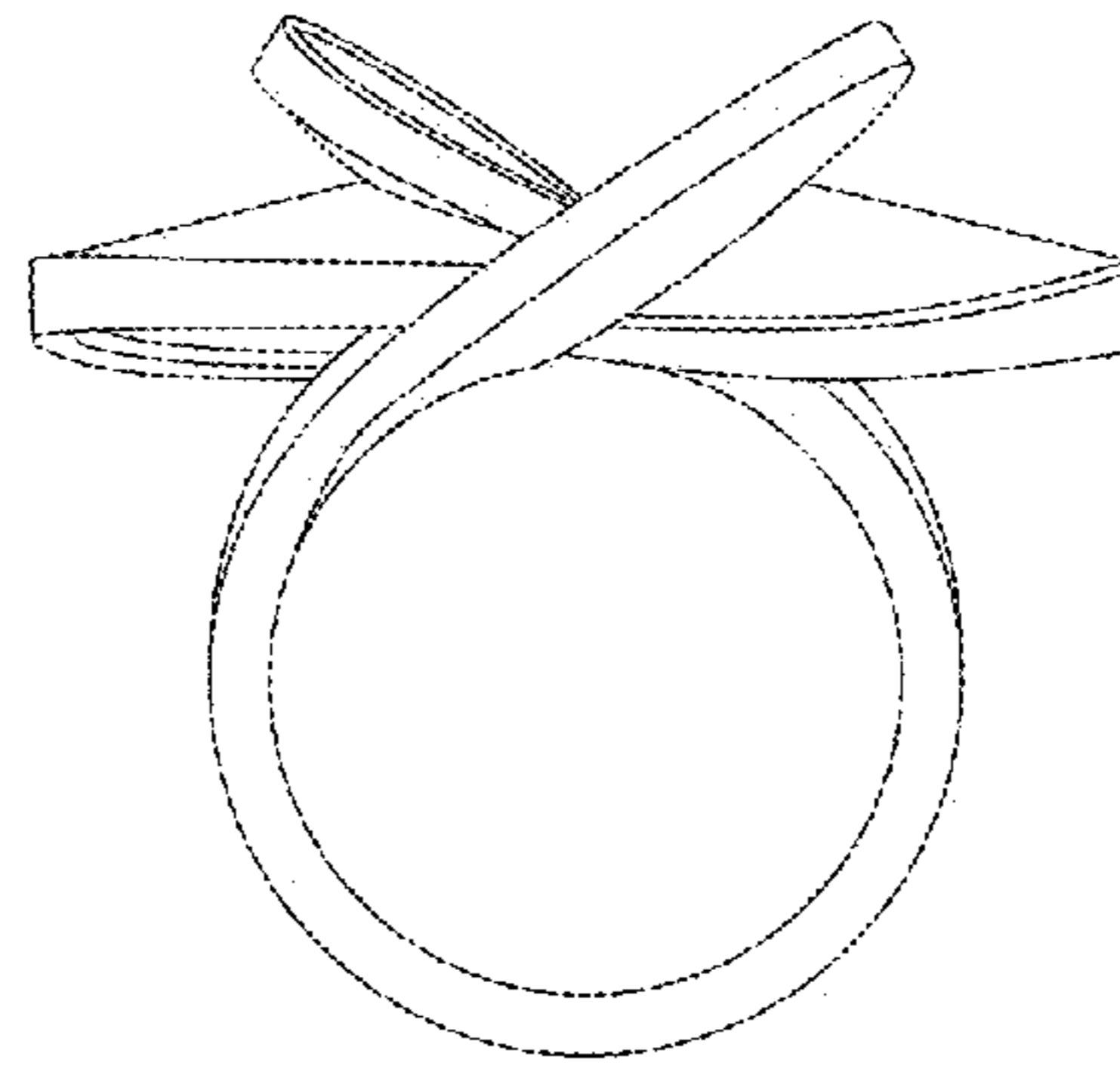


FIG. 4

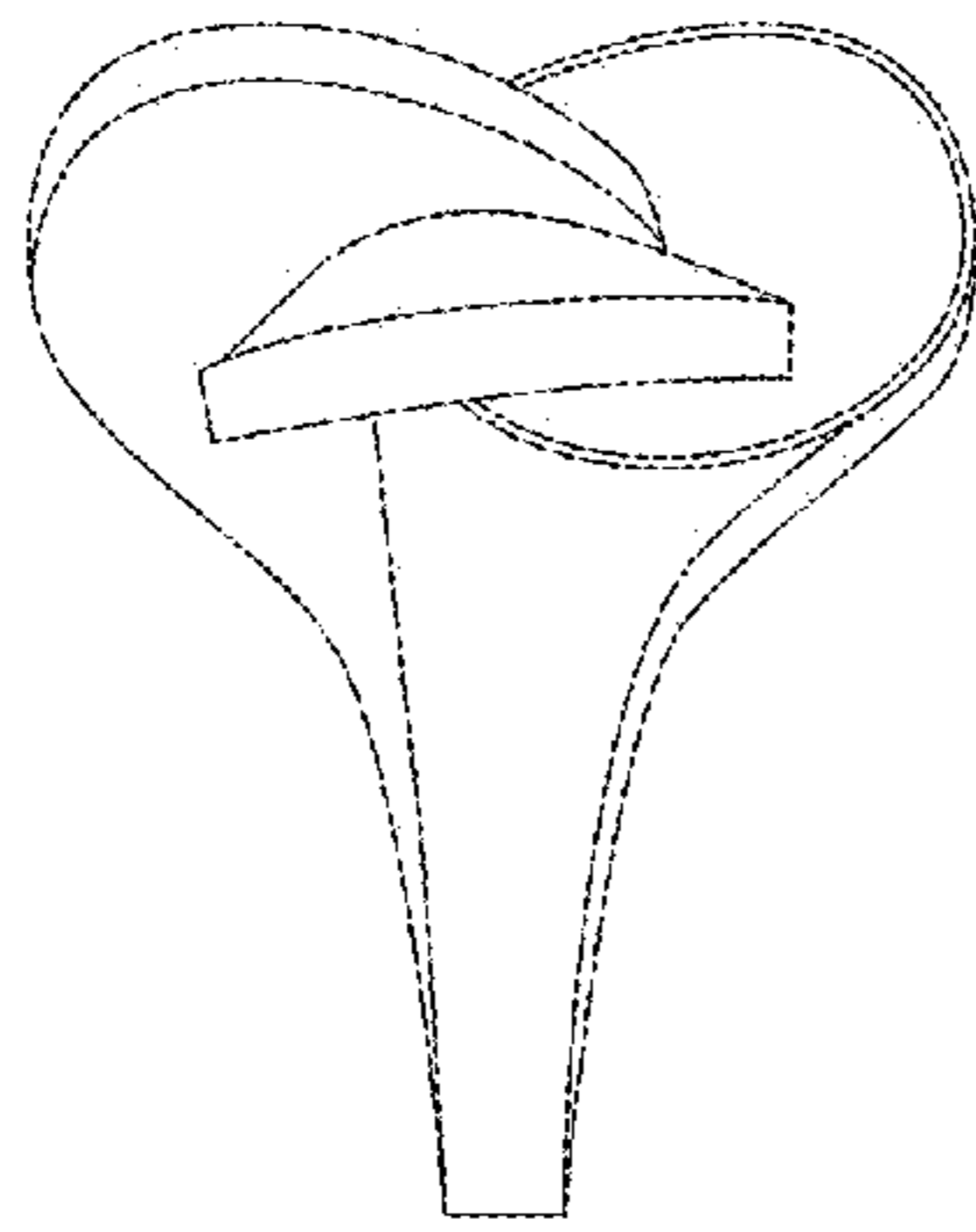


FIG. 5

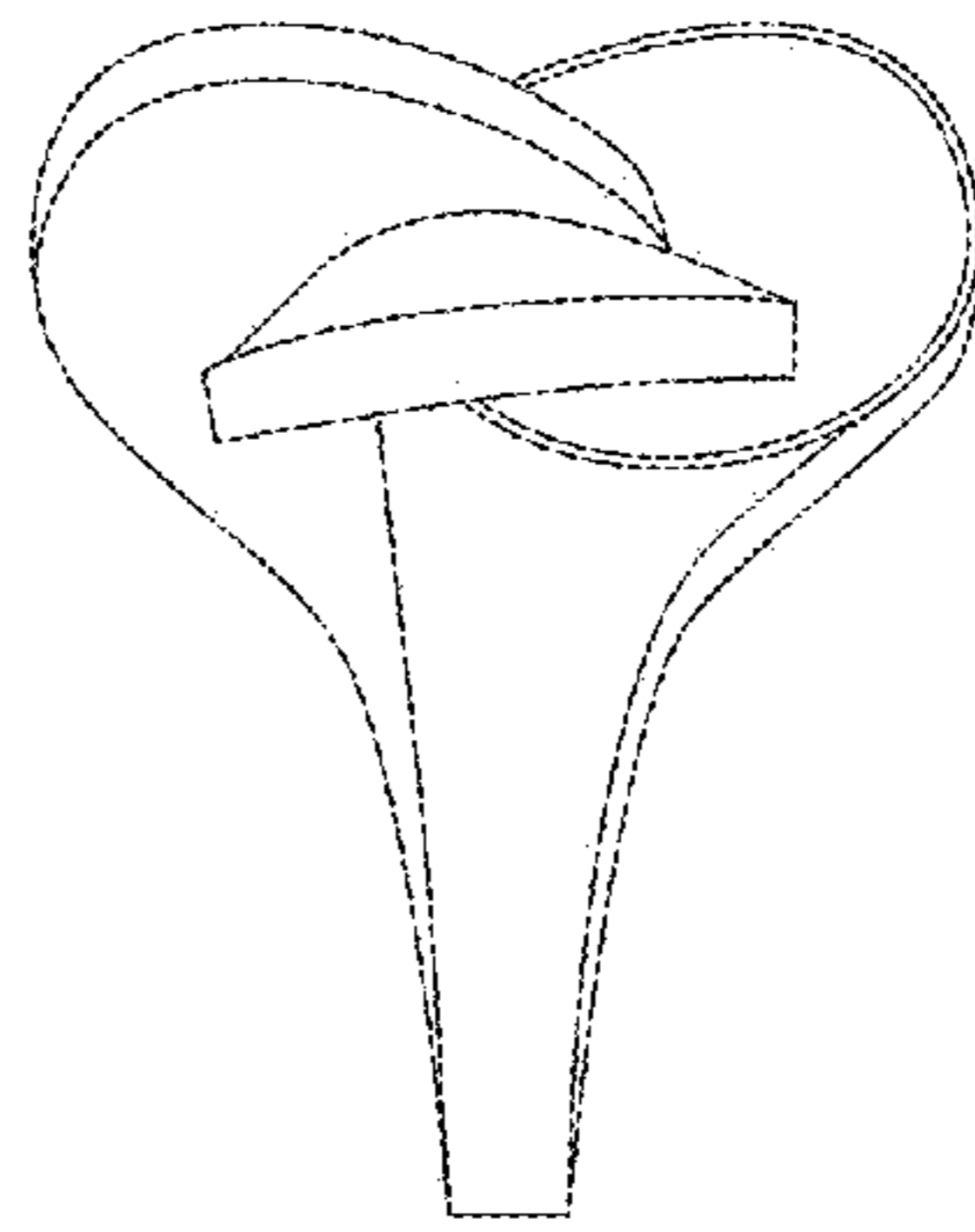


FIG. 6

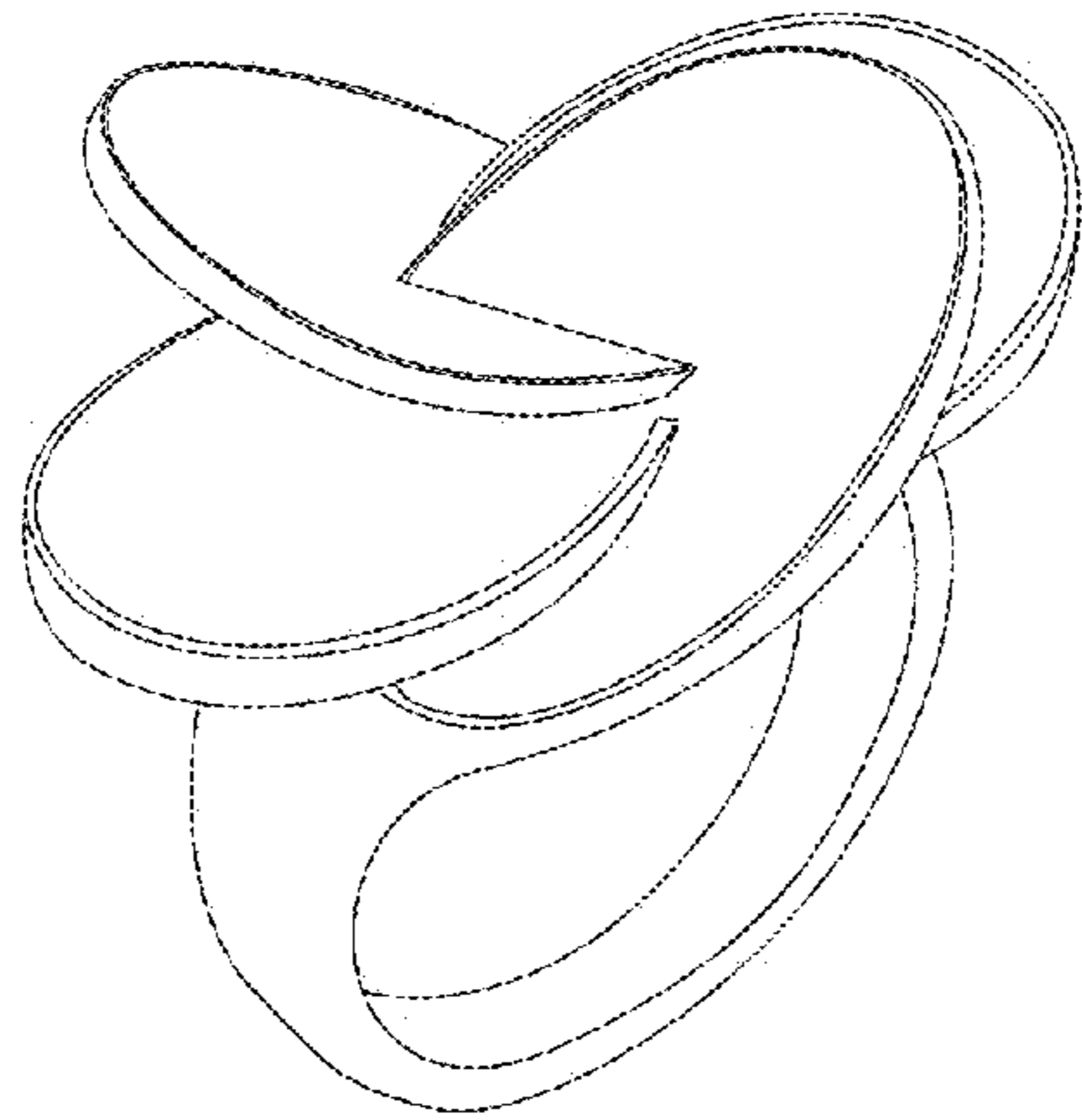


FIG. 7