



US00D691907S

(12) **United States Design Patent**
Simpson

(10) **Patent No.:** **US D691,907 S**
(45) **Date of Patent:** **** Oct. 22, 2013**

(54) **SHELL CASING JEWELRY MOUNT**

(76) Inventor: **Anthony T. Simpson**, Lake Park, FL
(US)

(**) Term: **14 Years**

(21) Appl. No.: **29/408,353**

(22) Filed: **Dec. 12, 2011**

(51) **LOC (9) Cl.** **11-01**

(52) **U.S. Cl.**
USPC **D11/1; D11/73; D11/3**

(58) **Field of Classification Search**
USPC D11/1-25, 79-85, 67, 40, 93; 63/23,
63/35, 3; D22/115, 116; 42/1.01; 102/507,
102/506, 510, 473

See application file for complete search history.

(56) **References Cited**

U.S. PATENT DOCUMENTS

1,213,102	A	*	1/1917	Hill	24/3.2
2,180,239	A	*	11/1939	Holland et al.	102/463
4,233,903	A	*	11/1980	Lage	102/449
5,685,100	A	*	11/1997	Atchison	42/1.01
D418,445	S	*	1/2000	Chia et al.	D11/93
D469,717	S	*	2/2003	Chia et al.	D11/93
D650,695	S	*	12/2011	Talbott et al.	D9/680
D652,472	S	*	1/2012	Klement	D22/115
D652,477	S	*	1/2012	Klement	D22/115
D654,137	S	*	2/2012	Frank	D22/115
D662,849	S	*	7/2012	Rafaelian	D11/8
D677,191	S	*	3/2013	Benjamin	D11/4
D678,102	S	*	3/2013	Rafaelian	D11/8

OTHER PUBLICATIONS

[online] http://4.bp.blogspot.com/_FgjpV98IjDQ/S2NHf6f3fsI/AAAAAAAAAI0/mGRB8ncEDx0/s400/blogbullets.jpg. Accessed May 30, 2013.*

[online] <http://www.ecouterre.com/wp-content/uploads/2010/06/akawelle-recycled-bullet-jewelry-1.jpg>. Accessed May 30, 2013.*

[online] http://img1.etsystatic.com/004/0/6767475/il_340x270.353762137_hnm2.jpg. Accessed May 30, 2013.*

[online] <http://jectz.com/wp-content/uploads/2013/03/Womens-.925-Sterling-Silver-Bullet-Bracelet-01.png>. Accessed May 30, 2013.*

[online] <http://jectz.com/wp-content/uploads/2013/03/Heavy-weight-.925-Sterling-Silver-Bullet-Bracelet.png>. Accessed May 30, 2013.*

[online] http://img2.etsystatic.com/000/0/5520438/il_ullxfull.222401670.jpg. Accessed May 30, 2013.*

[online] http://img2.etsystatic.com/000/0/5462703/il_fullxfull.303376362.jpg. Accessed May 30, 2013.*

* cited by examiner

Primary Examiner — Jennifer Rivard
Assistant Examiner — Melanie Pellegrini
(74) *Attorney, Agent, or Firm* — McHale & Slavin, P.A.

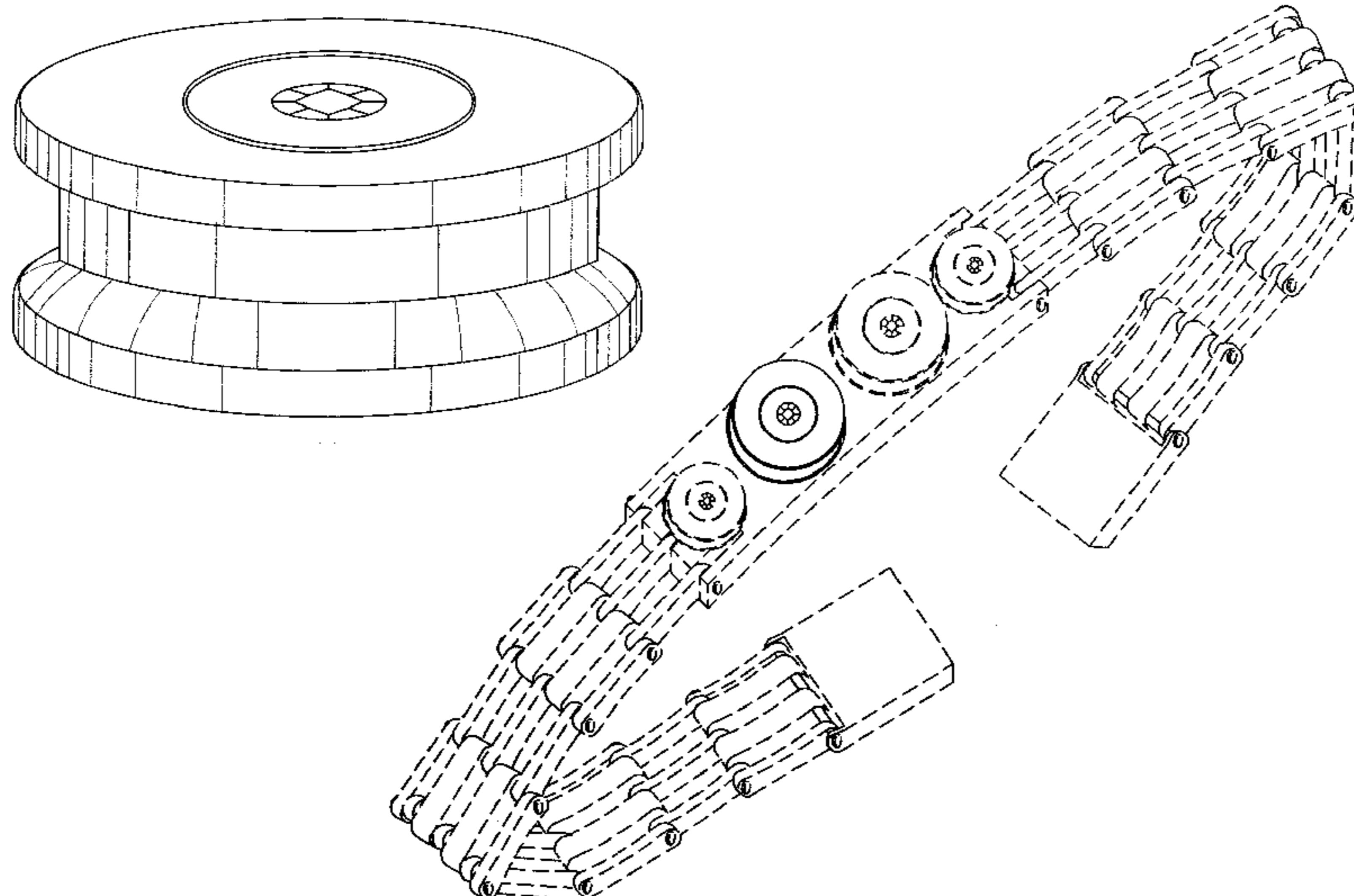
(57) **CLAIM**

The ornamental design for a shell casing jewelry mount, as shown and described.

DESCRIPTION

FIG. 1 is a top perspective view of the shell casing jewelry mount of the instant invention;
FIG. 2 is a front view thereof, the left, right and rear views being identical thereto;
FIG. 3 top view thereof;
FIG. 4 is a perspective view thereof, illustrating the shell casing jewelry mount positioned on a bracelet;
FIG. 5 is a front view of the shell casing jewelry mount positioned on a bracelet as illustrated in FIG. 4;
FIG. 6 is a top view of the shell casing jewelry mount positioned on a bracelet as illustrated in FIG. 4; and,
FIG. 7 is a side view of the shell casing jewelry mount positioned on a bracelet as illustrated in FIG. 3.
The portions of the figures illustrated in broken lines illustrate portions of the shell casing jewelry mount design that are not claimed.

1 Claim, 7 Drawing Sheets



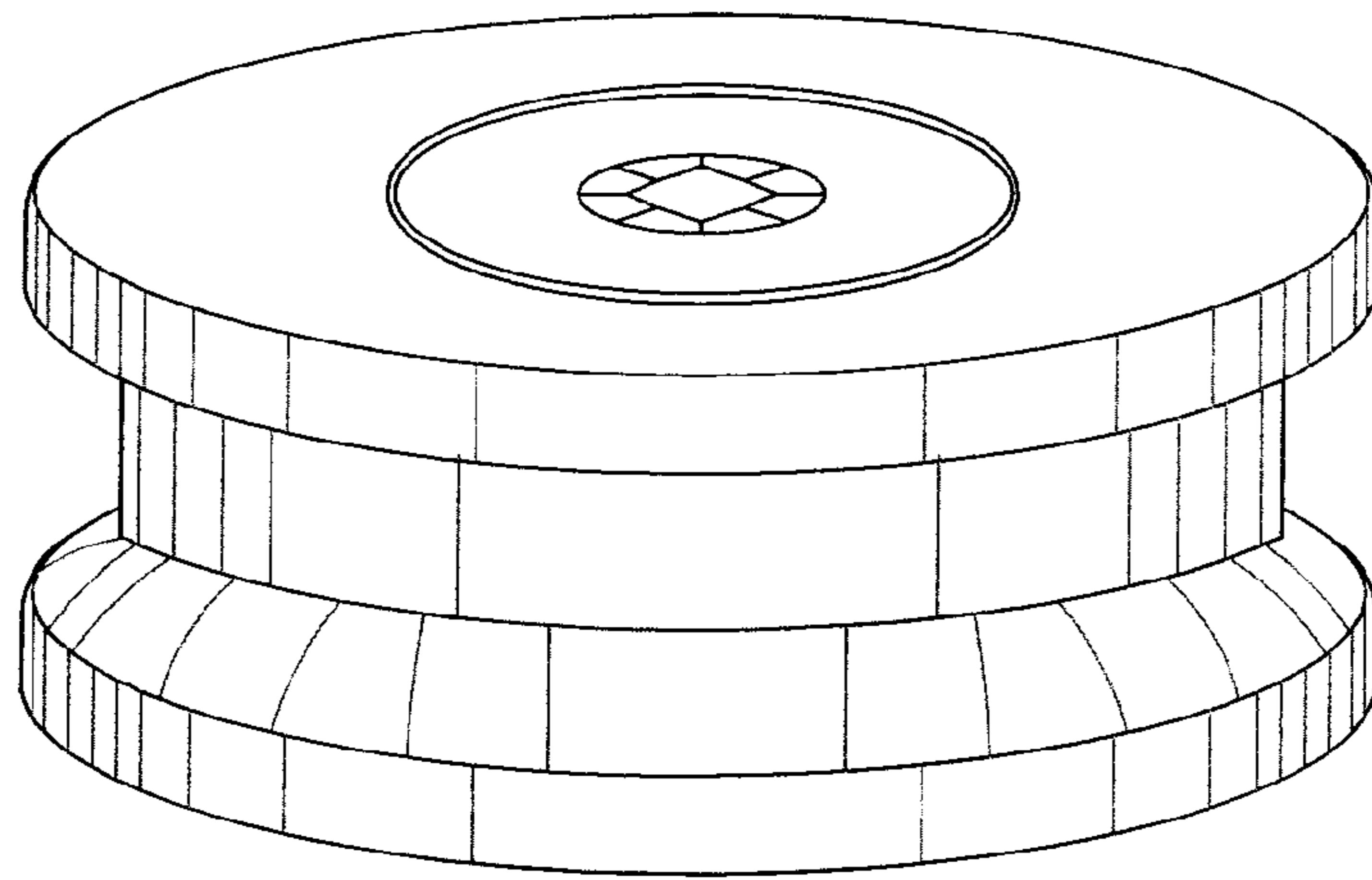


Fig. 1

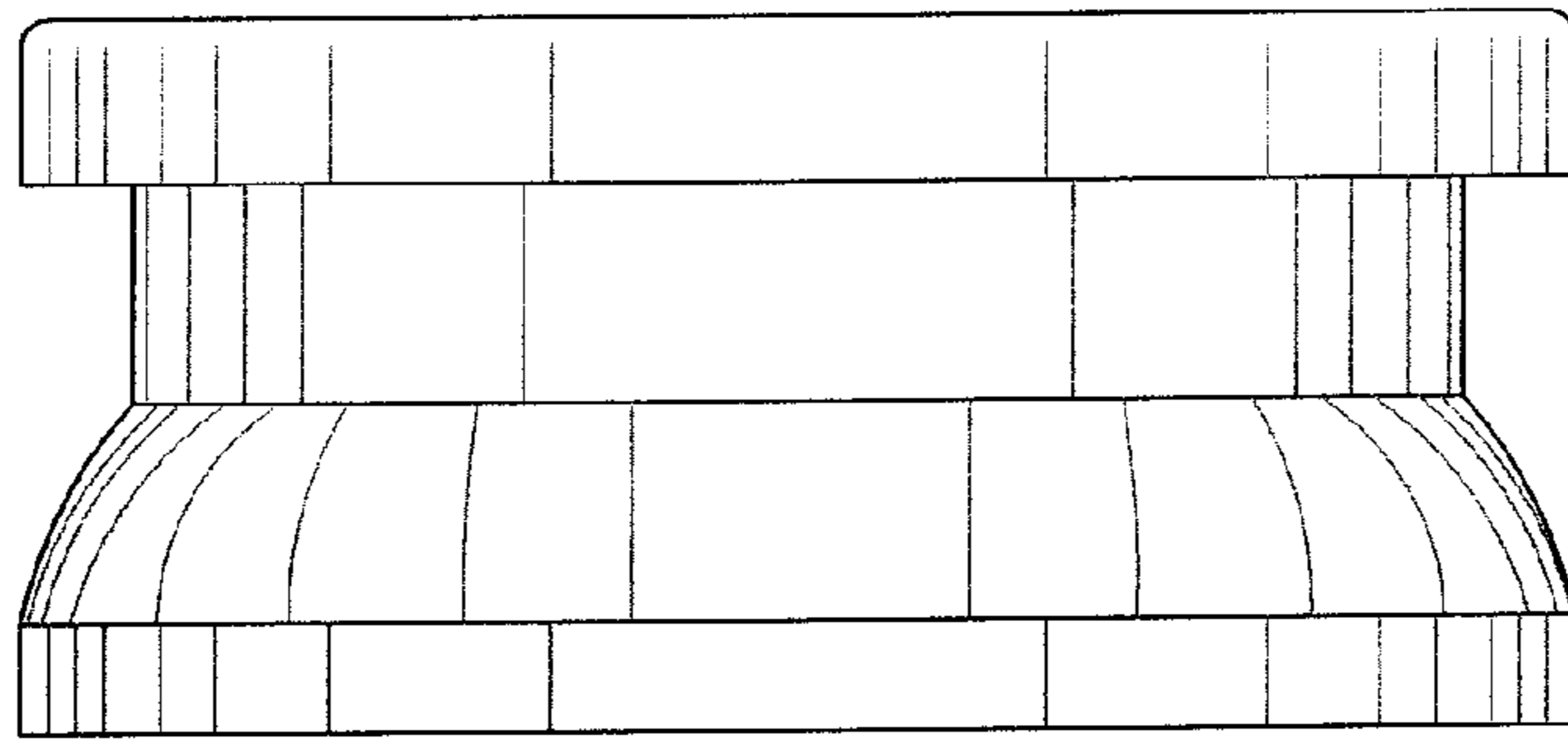


Fig. 2

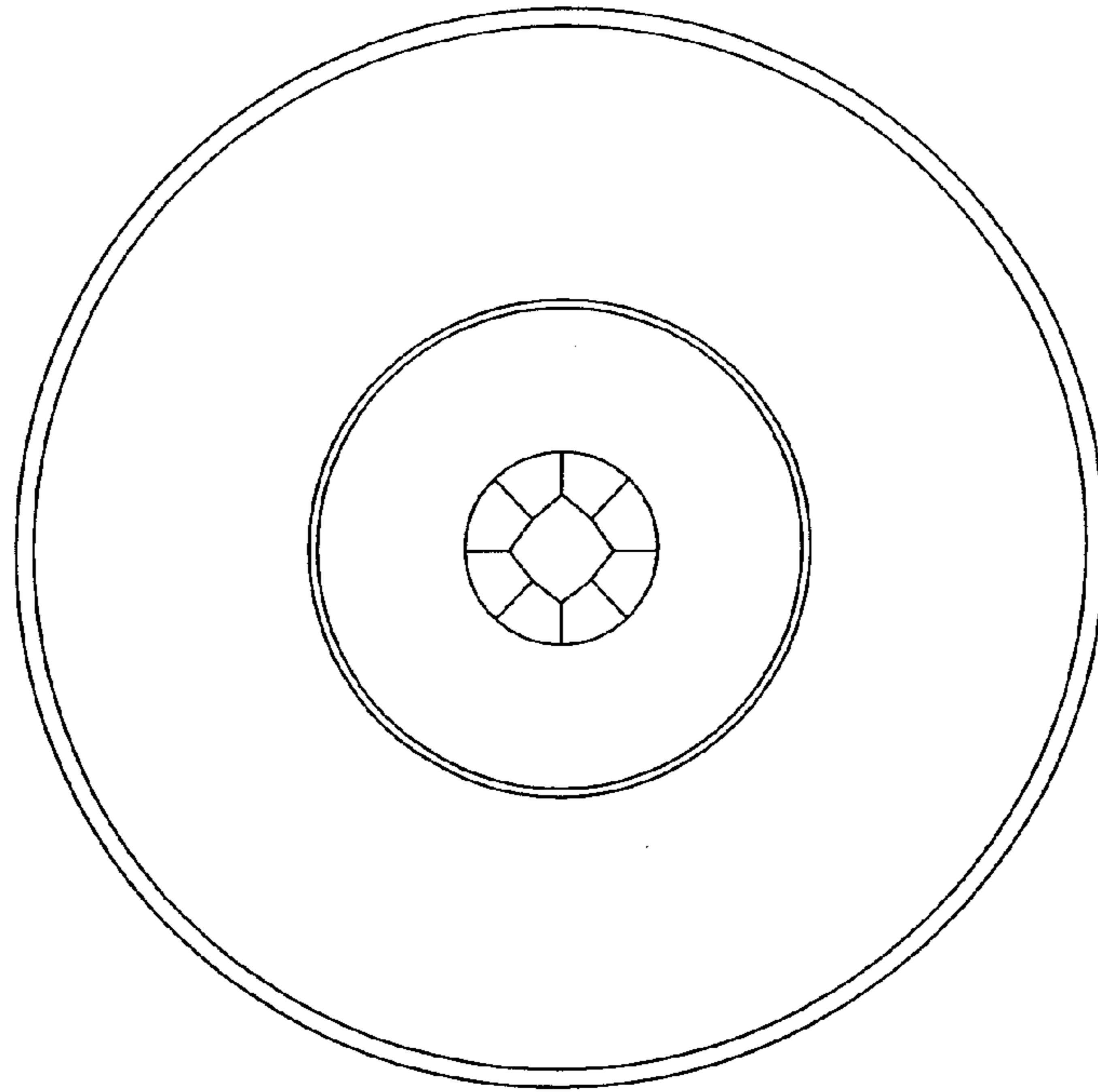


Fig. 3

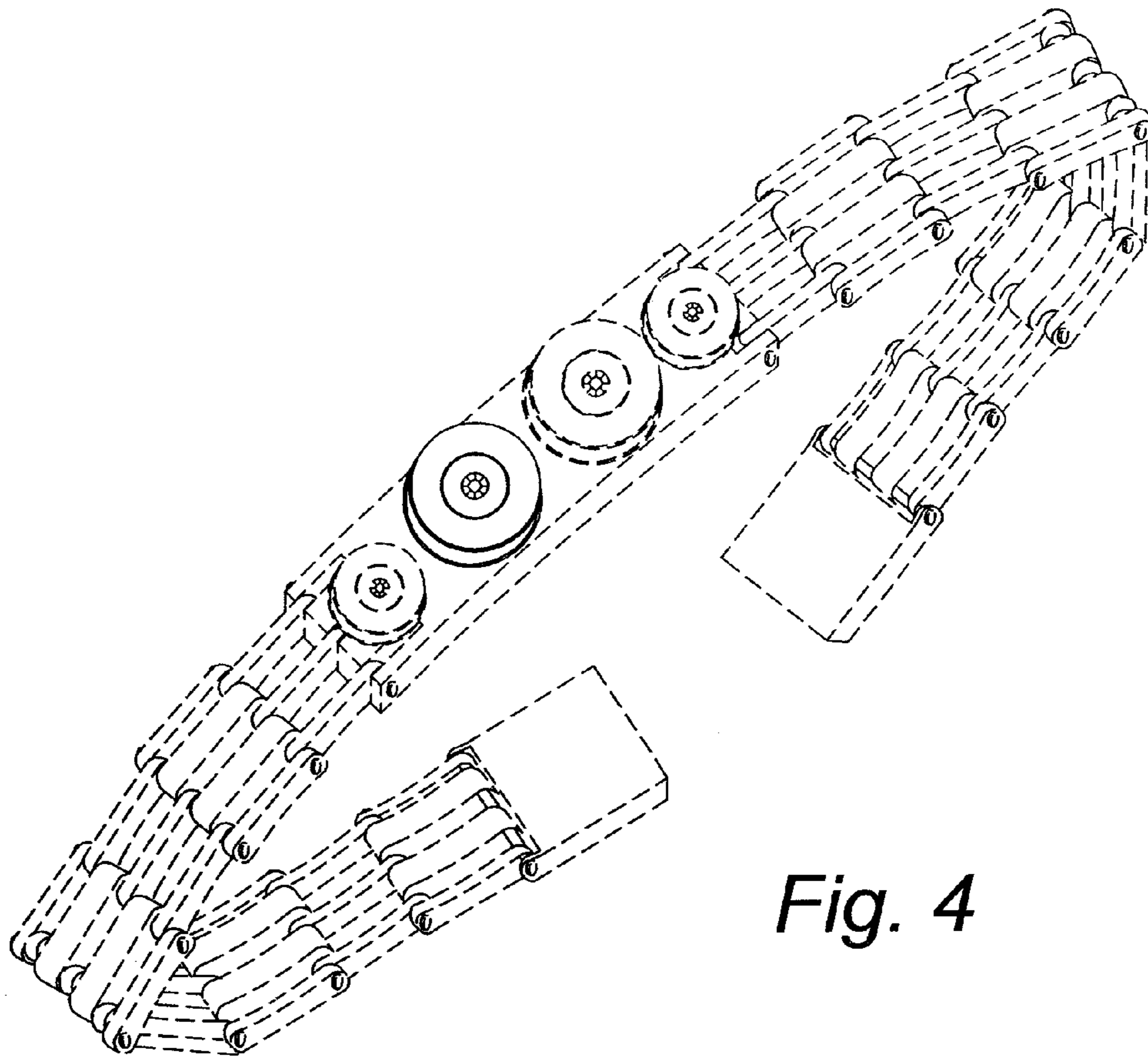


Fig. 4

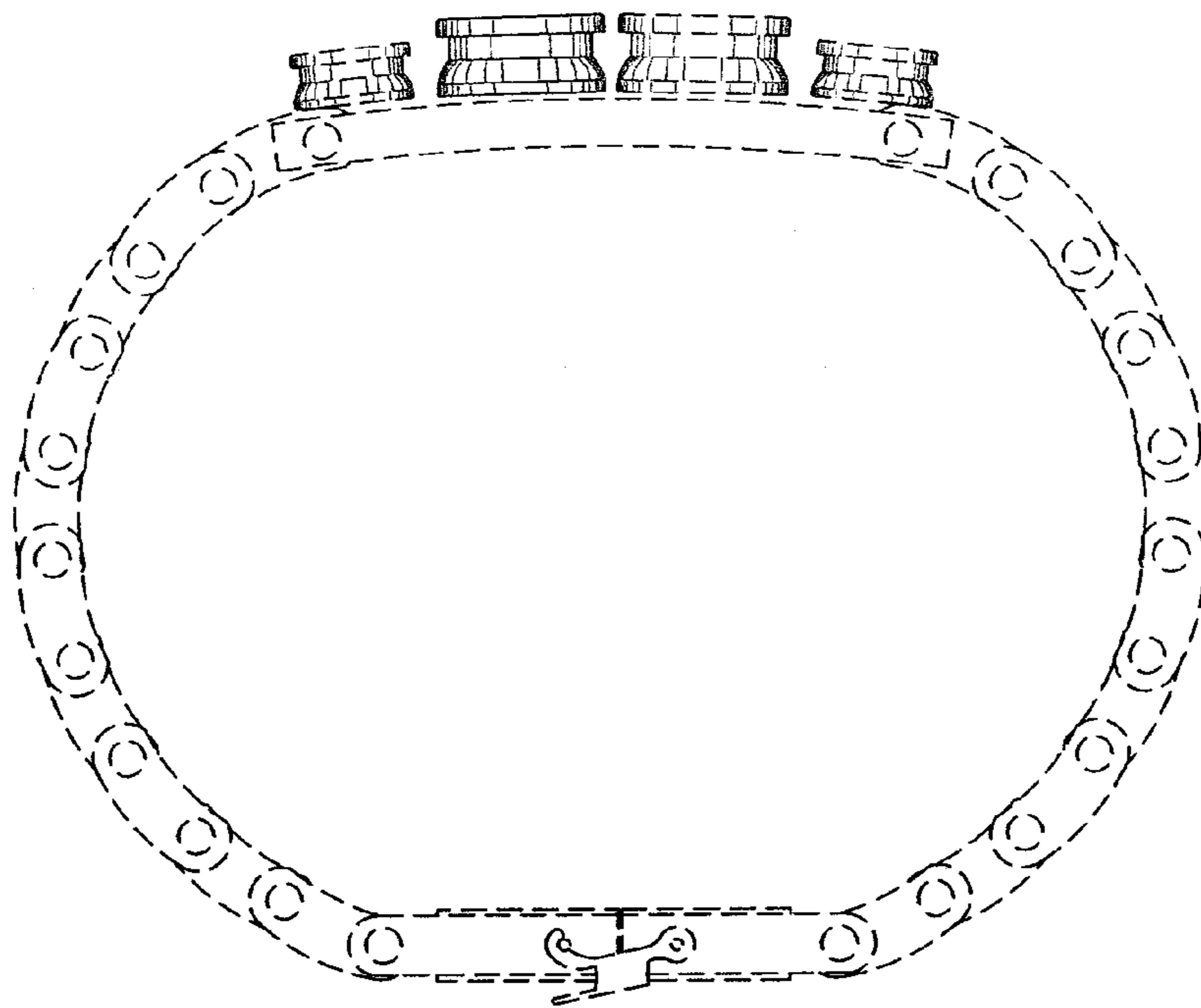


Fig. 5

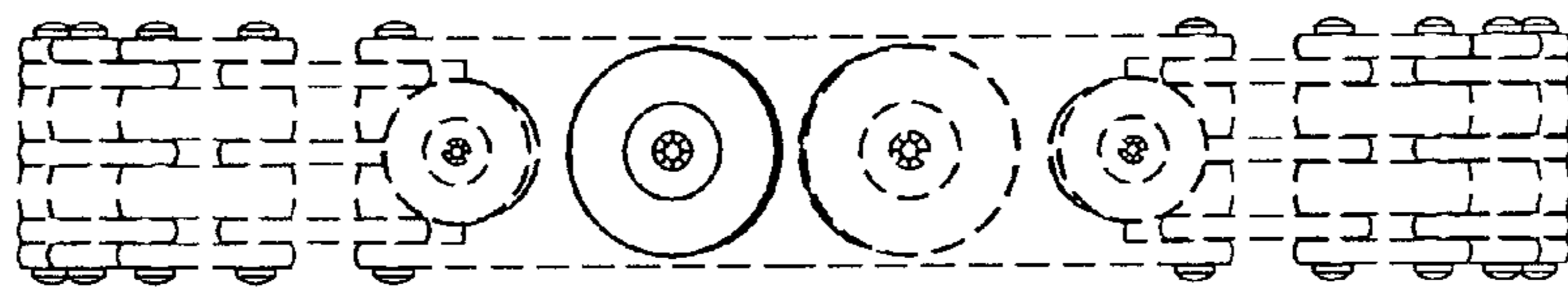


Fig. 6

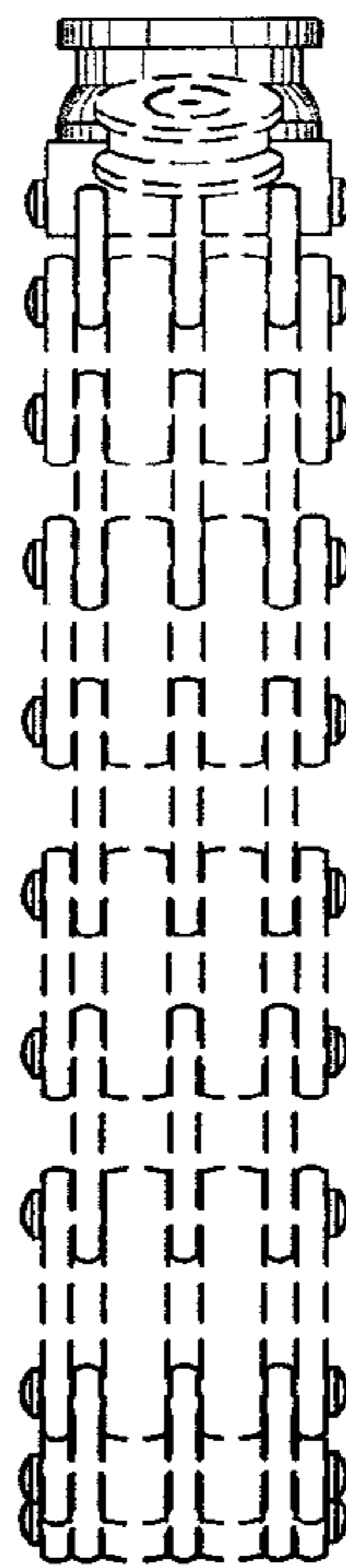


Fig. 7