



US00D691906S

(12) **United States Design Patent**  
**Impero**

(10) **Patent No.:** **US D691,906 S**

(45) **Date of Patent:** **\*\* Oct. 22, 2013**

(54) **ROADSIDE SAFETY BARRIERS**

(71) Applicant: **Industry A.M.S. S.r.l.**, Casalnuovo di Napoli (IT)

(72) Inventor: **Pasquale Impero**, Casalnuovo di Napoli (IT)

(73) Assignee: **Industry A.M.S. S.r.l.**, Casalnuovo di Napoli (Napoli) (IT)

(\*\*) Term: **14 Years**

(21) Appl. No.: **29/445,497**

(22) Filed: **Feb. 12, 2013**

**Related U.S. Application Data**

(62) Division of application No. 29/412,410, filed on Feb. 2, 2012.

(30) **Foreign Application Priority Data**

Aug. 5, 2011 (EM) ..... 1901.620-0001/002

(51) **LOC (9) Cl.** ..... **10-05**

(52) **U.S. Cl.**  
USPC ..... **D10/113.3**

(58) **Field of Classification Search**

USPC ..... D10/113.3; D21/484, 499, 500-502;  
D25/113-114, 118; 404/6

See application file for complete search history.

(56) **References Cited**

U.S. PATENT DOCUMENTS

2007/0286675	A1 *	12/2007	Kennedy et al. ....	404/6
2008/0181722	A1 *	7/2008	McKenney et al. ....	404/6
2011/0091273	A1 *	4/2011	Sayre et al. ....	404/6
2011/0255916	A1 *	10/2011	Thompson et al. ....	404/6
2012/0121325	A1 *	5/2012	Buehler et al. ....	404/6

\* cited by examiner

*Primary Examiner* — George D Kirschbaum

(74) *Attorney, Agent, or Firm* — William J. Sapone; Ware Fressola Maguire & Barber LLP

(57) **CLAIM**

The ornamental design for roadside safety barriers, as shown and described.

**DESCRIPTION**

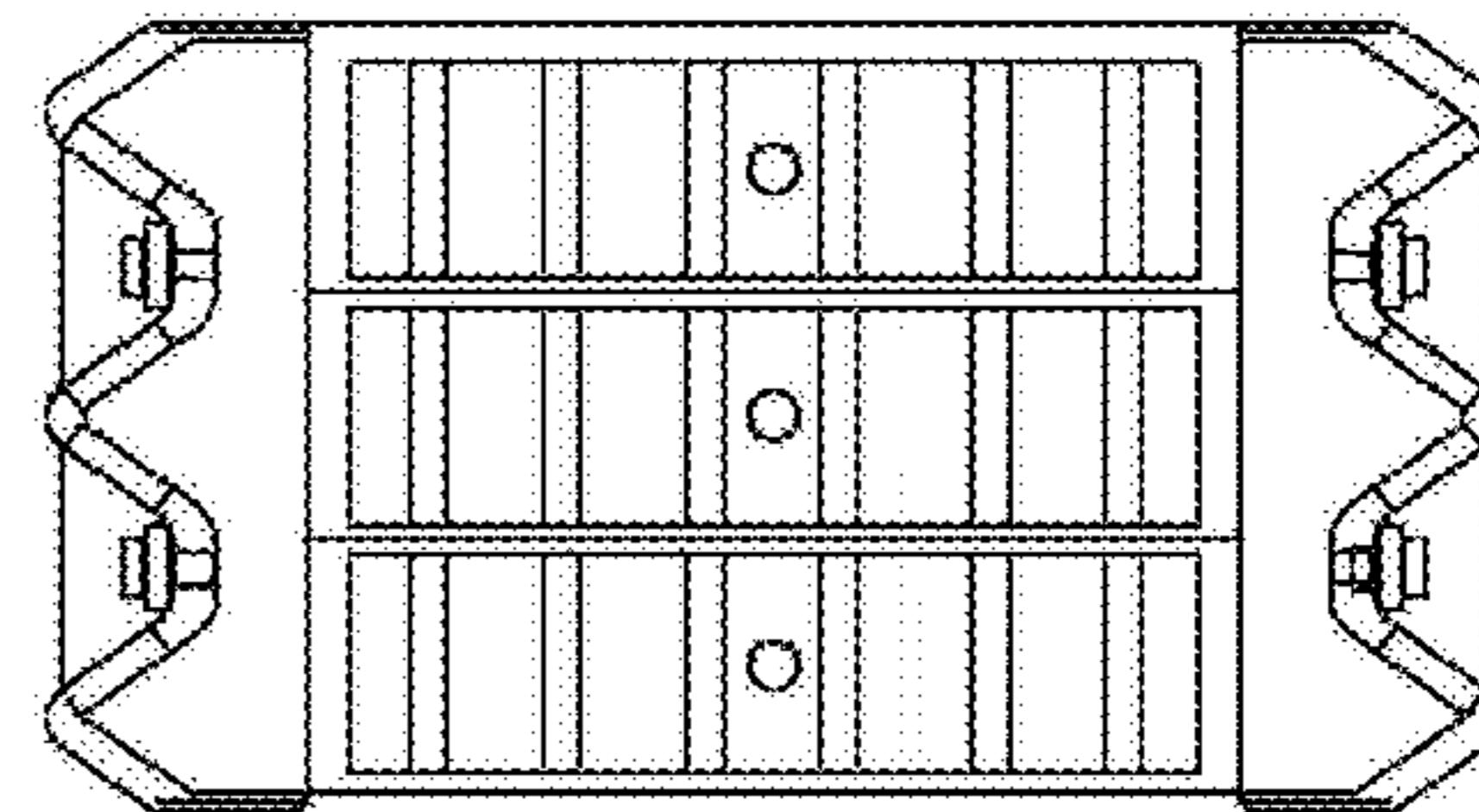
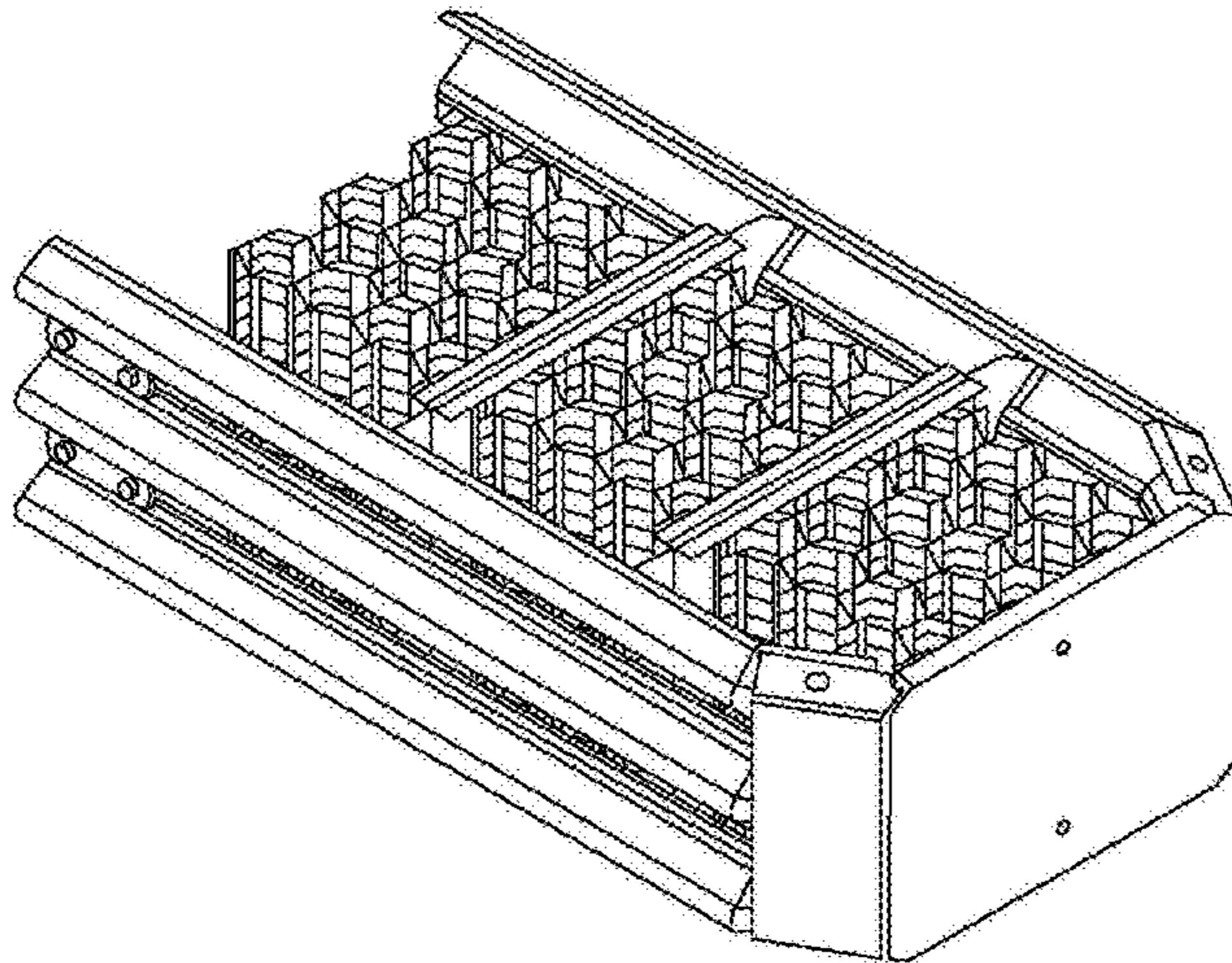
FIG. 1 is a front perspective view of a roadside safety barrier, showing my design;

FIG. 2 is a rear view thereof;

FIG. 3 is a front view thereof; and,

FIG. 4 is a top view thereof.

**1 Claim, 2 Drawing Sheets**



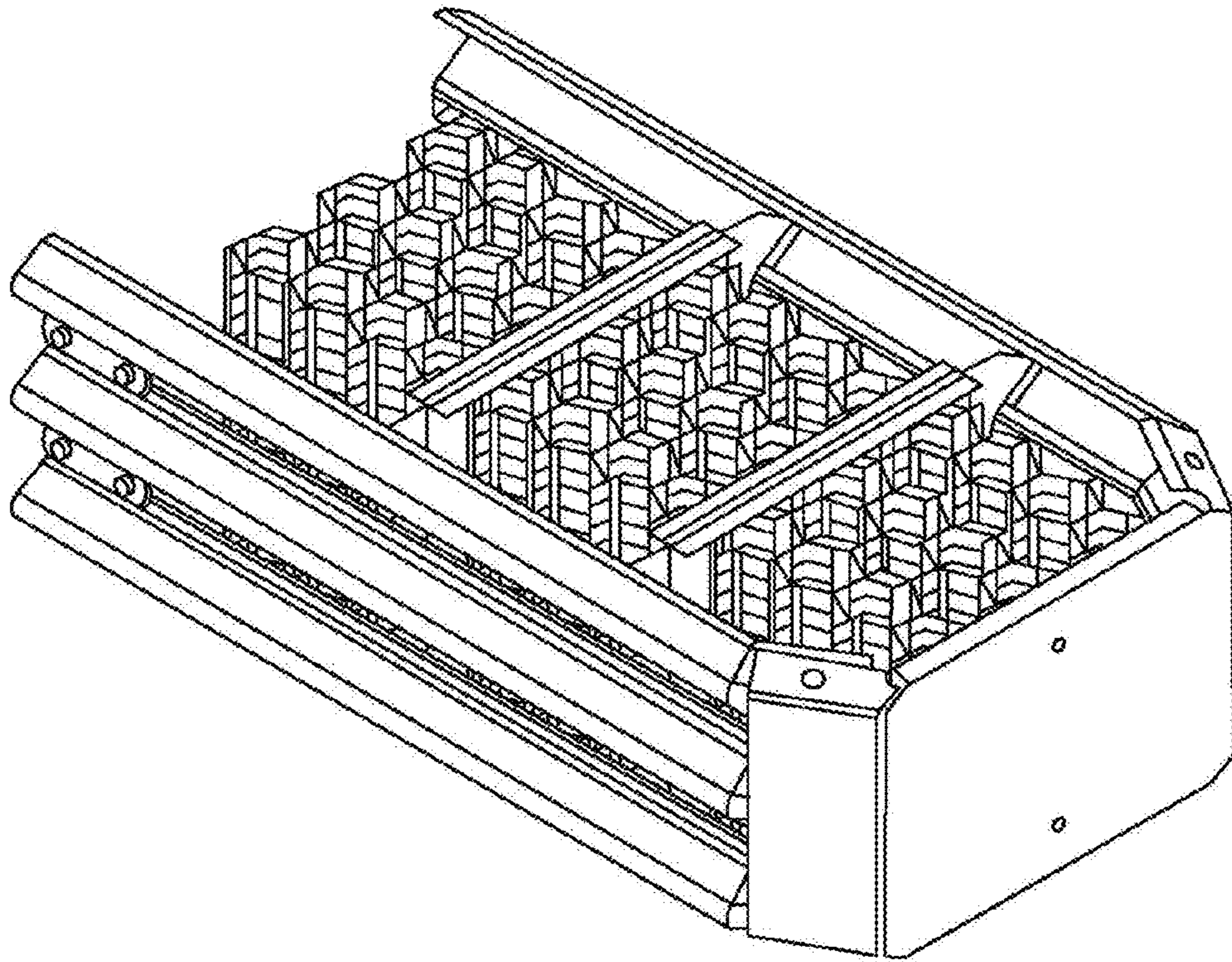


Fig. 1

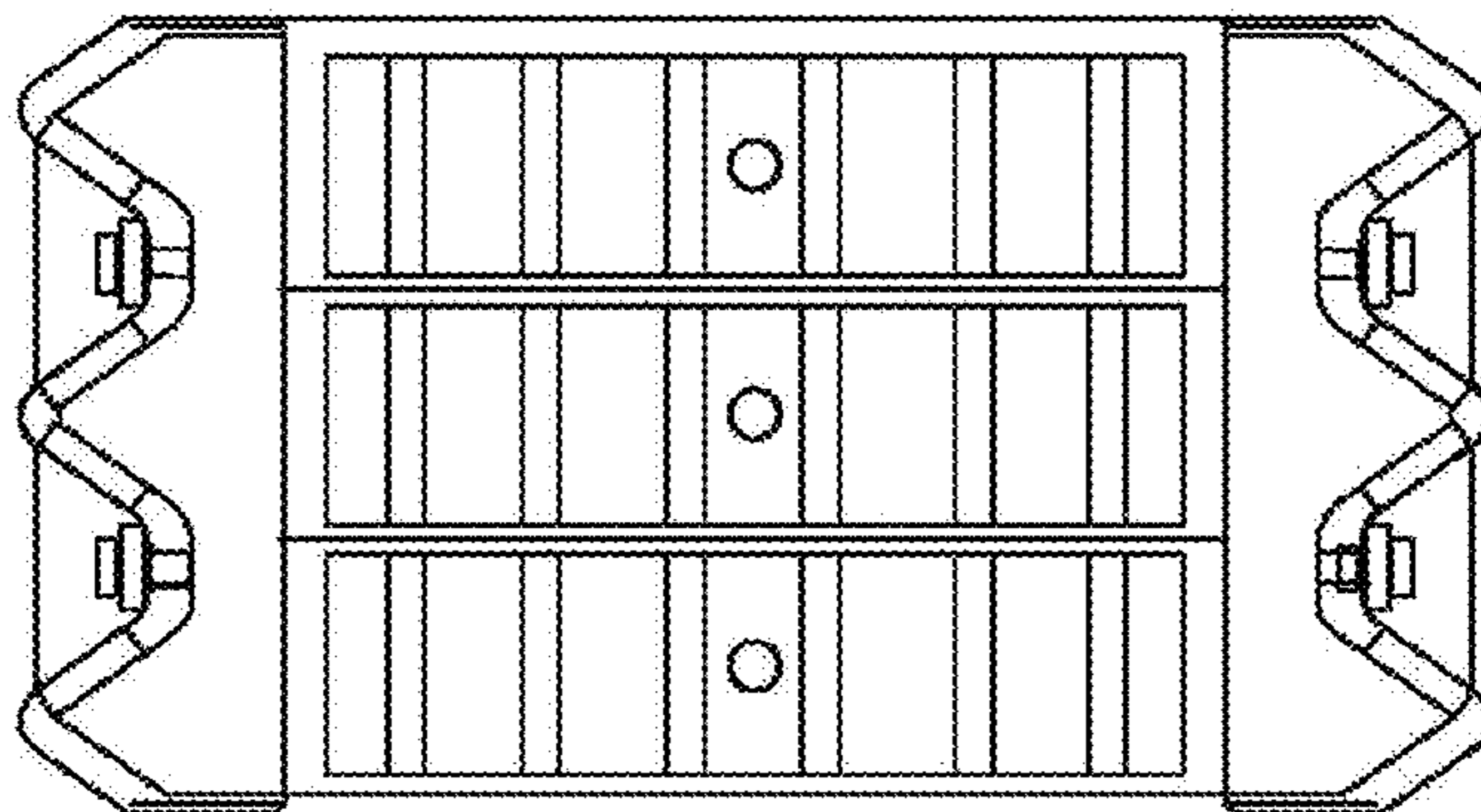


Fig. 2

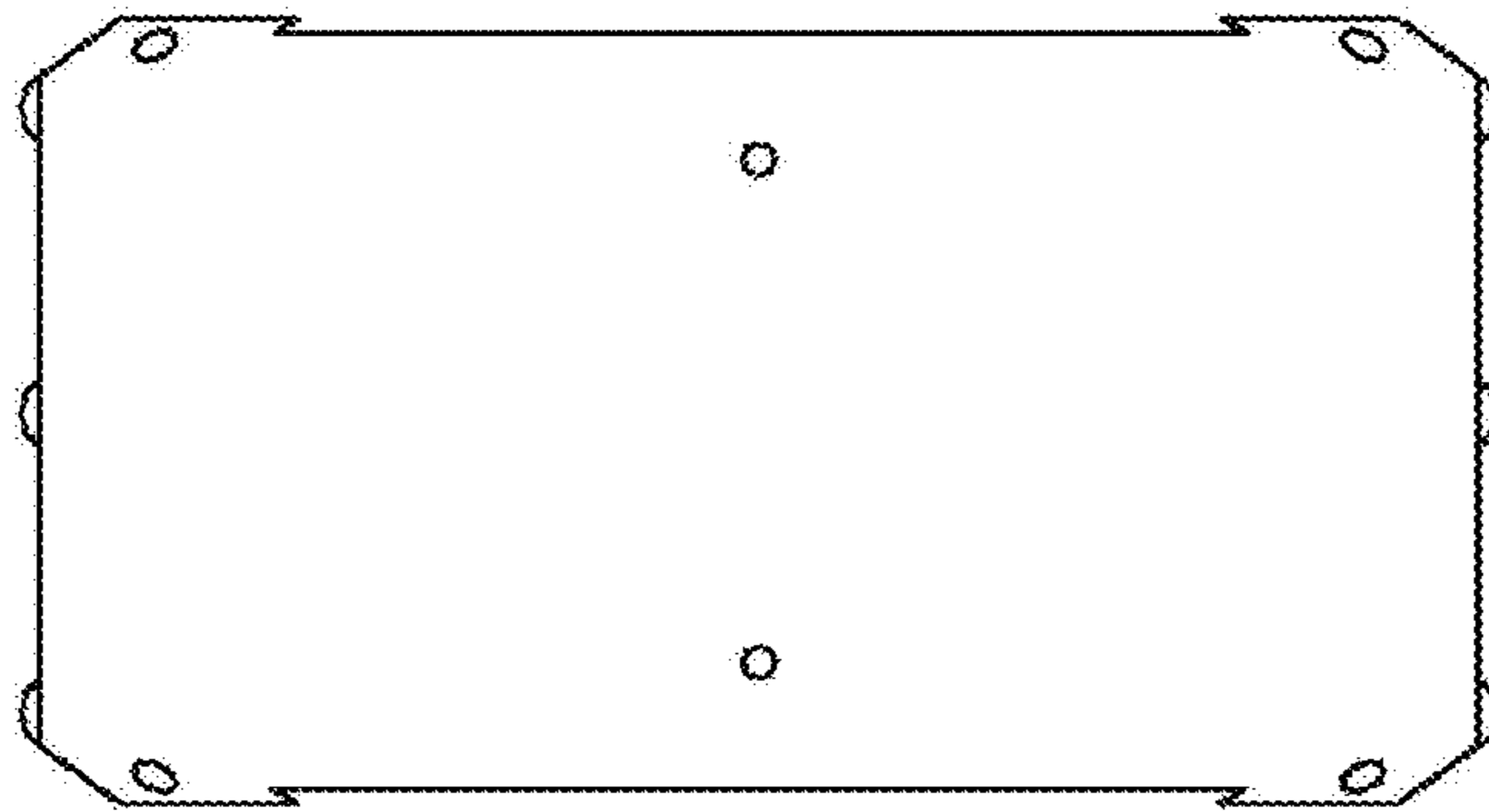


Fig. 3

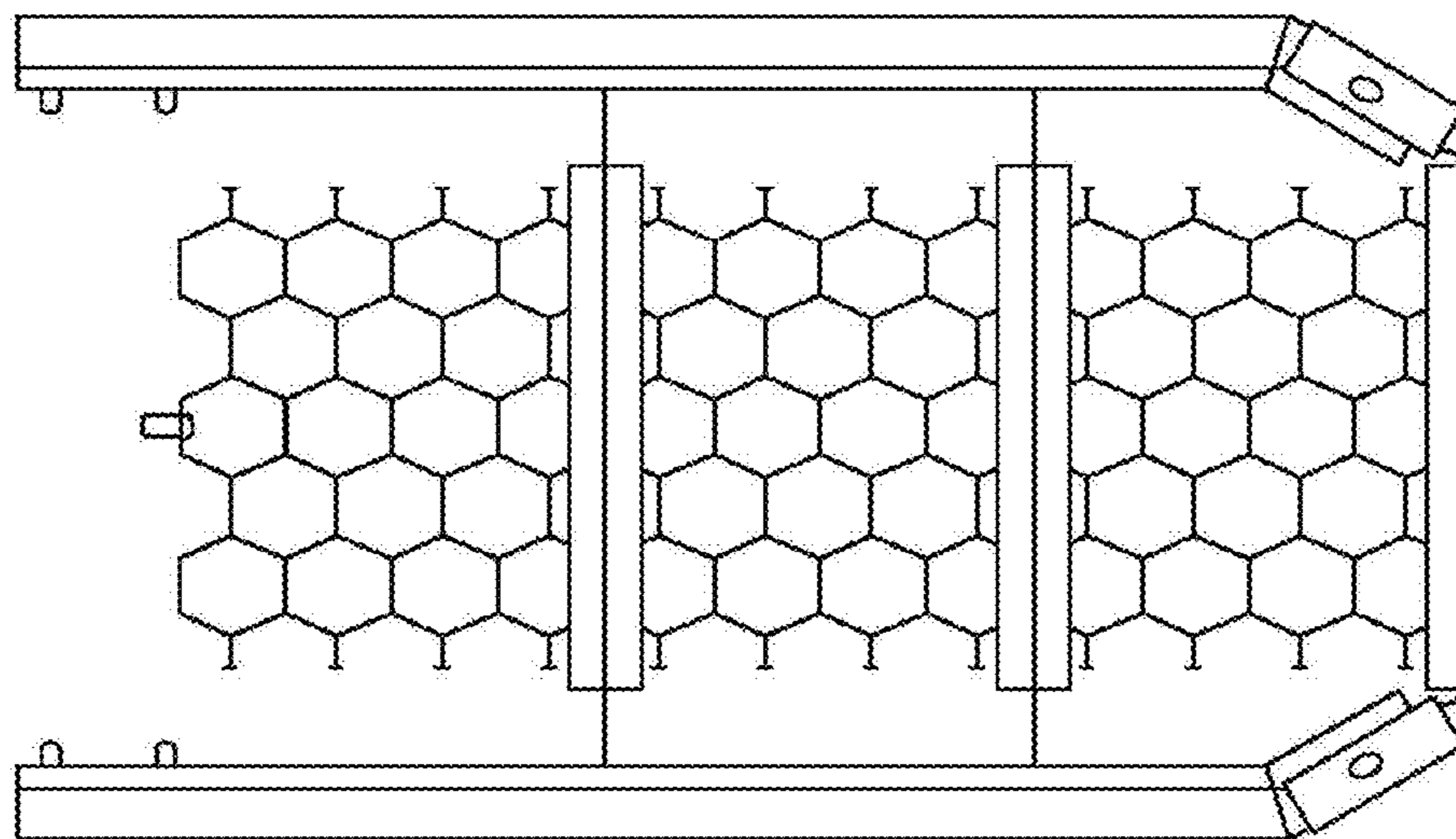


Fig. 4