

US00D691905S

(12) **United States Design Patent**
Kobayakawa

(10) **Patent No.:** **US D691,905 S**

(45) **Date of Patent:** **** Oct. 22, 2013**

(54) **BODY COMPOSITION METER**

(71) Applicant: **Tanita Corporation**, Tokyo (JP)
(72) Inventor: **Tatsutoshi Kobayakawa**, Tokyo (JP)
(73) Assignee: **Tanita Corporation**, Tokyo (JP)
(**) Term: **14 Years**

(21) Appl. No.: **29/448,294**

(22) Filed: **Mar. 11, 2013**

(30) **Foreign Application Priority Data**

Sep. 14, 2012 (JP) 2012-022371

(51) **LOC (9) Cl.** **10-04**

(52) **U.S. Cl.**
USPC **D10/93**

(58) **Field of Classification Search**
USPC D10/93; 177/25.12-25.18, 238-245,
177/177, 126, 1, 181, 210 R, 210 C, 25, 30,
177/127, DIG. 3, 130, 140, 246, 253, 25.13,
177/25.16, 25.19; 600/506, 547, 592, 587,
600/595, 556, 554; 116/67 R; 128/905;
174/520; 340/626; 361/679.06, 730,
361/752; 702/173

See application file for complete search history.

(56) **References Cited**

U.S. PATENT DOCUMENTS

7,130,680	B2 *	10/2006	Kodama et al.	600/547
7,160,257	B2 *	1/2007	Ueda et al.	600/587
7,170,016	B2 *	1/2007	Dumornay et al.	177/25.13
7,184,823	B2 *	2/2007	Ueda et al.	600/547
7,195,600	B2 *	3/2007	Ueda et al.	600/551
7,795,549	B2 *	9/2010	Hansen et al.	177/238
D645,370	S *	9/2011	Rhein et al.	D10/93

* cited by examiner

Primary Examiner — Antoine D Davis

(74) *Attorney, Agent, or Firm* — Holtz, Holtz, Goodman & Chick, PC

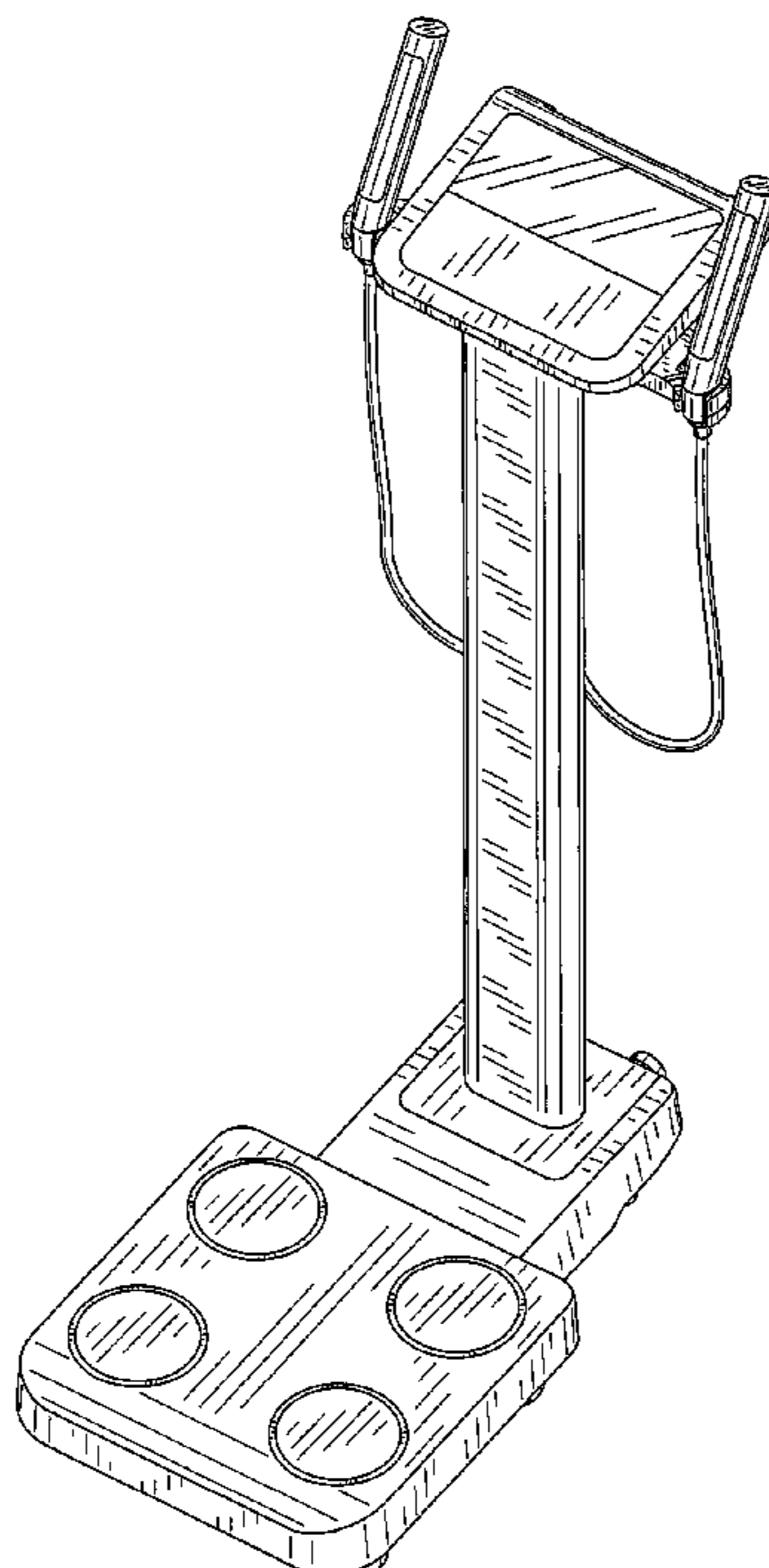
(57) **CLAIM**

The ornamental design for a body composition meter, as shown and described.

DESCRIPTION

FIG. 1 is a front, right side, top perspective view of a body composition meter showing my new design;
FIG. 2 is a front elevational view thereof;
FIG. 3 is a rear elevational view thereof;
FIG. 4 is a left side view thereof;
FIG. 5 is a right side view thereof;
FIG. 6 is a top plan view thereof;
FIG. 7 is a bottom plan view thereof; and,
FIG. 8 is a perspective view thereof showing a state in which electrodes for hands are detached from a body portion of this article.

1 Claim, 8 Drawing Sheets



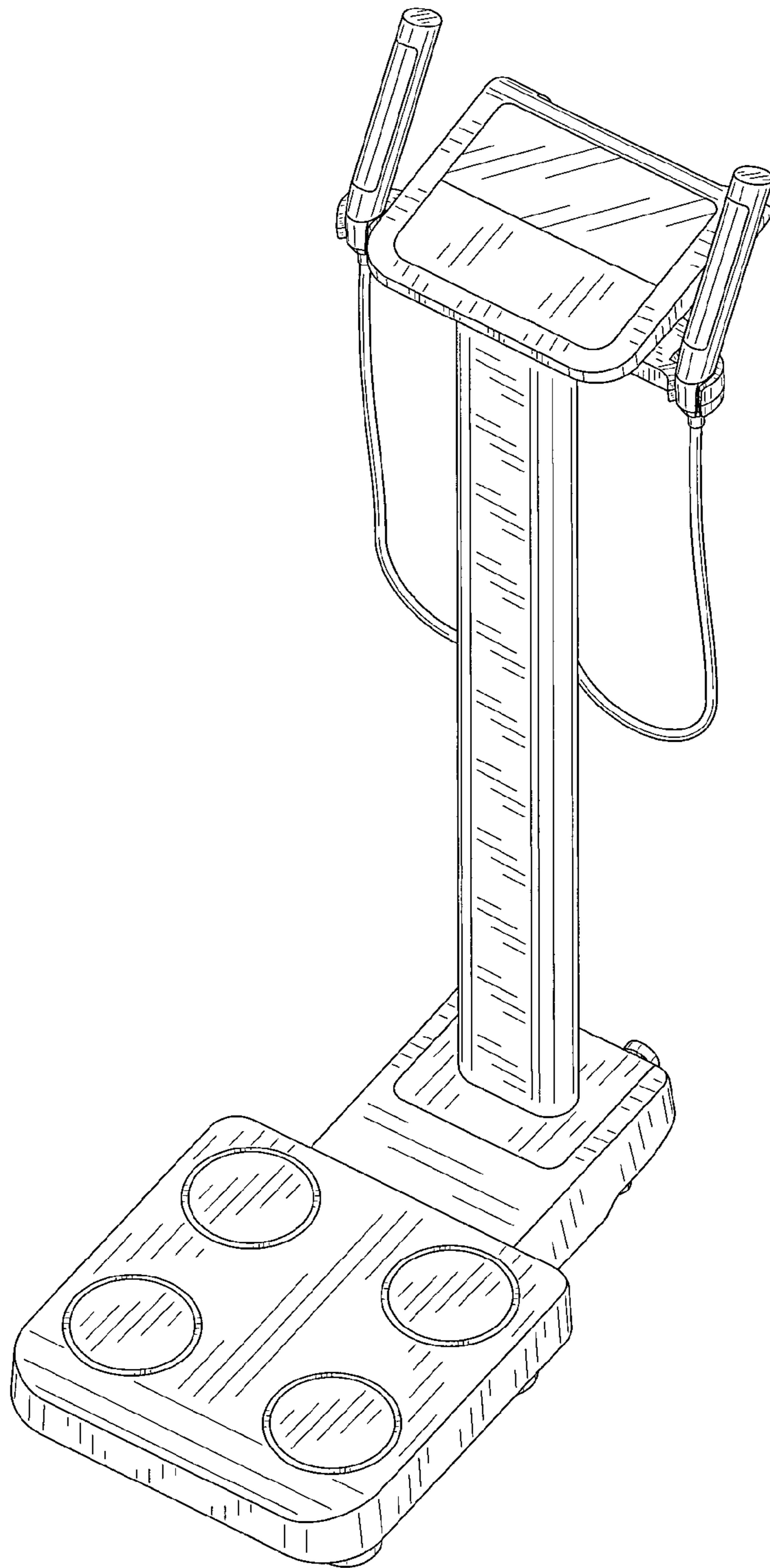


FIG. 1

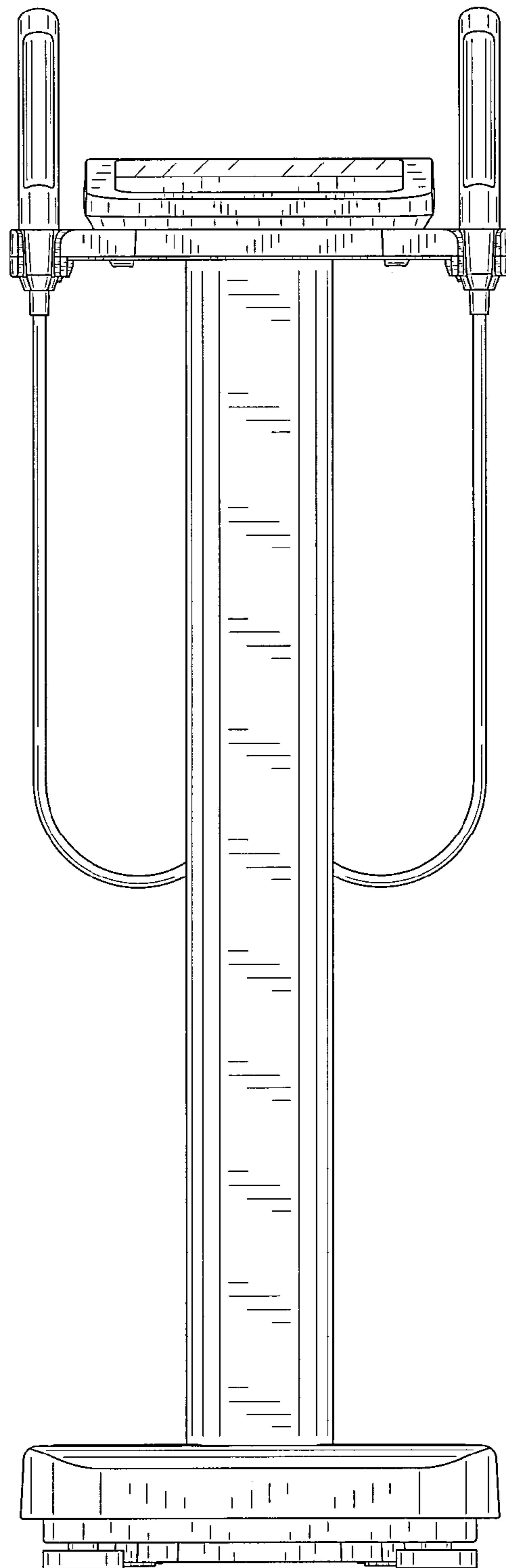


FIG. 2

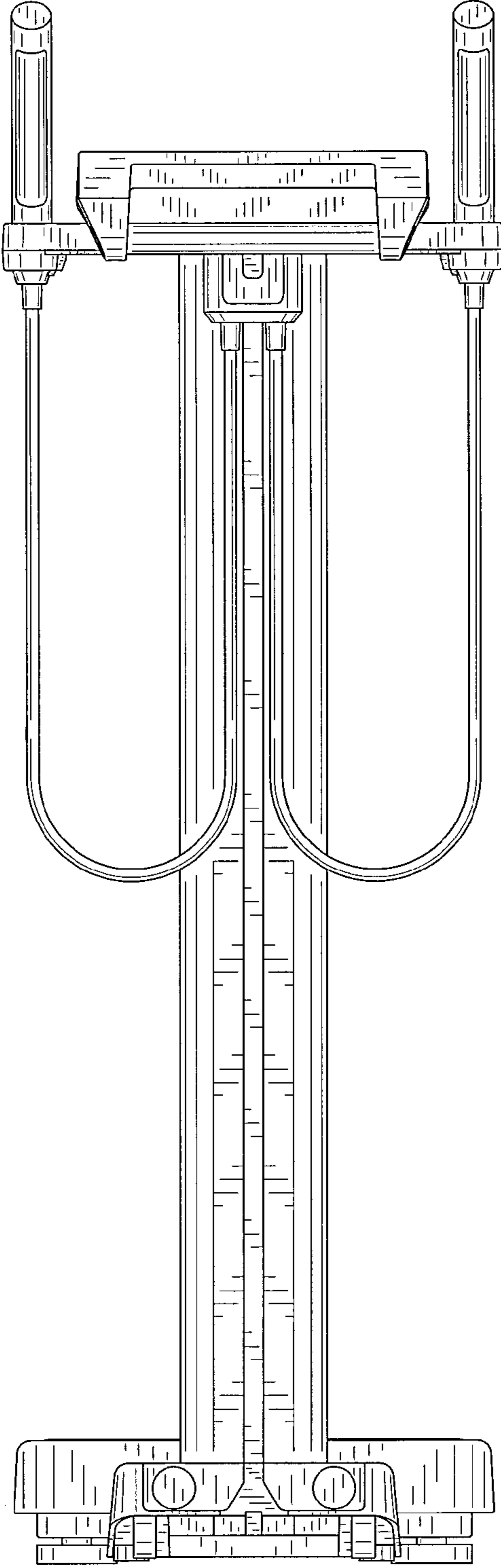


FIG. 3

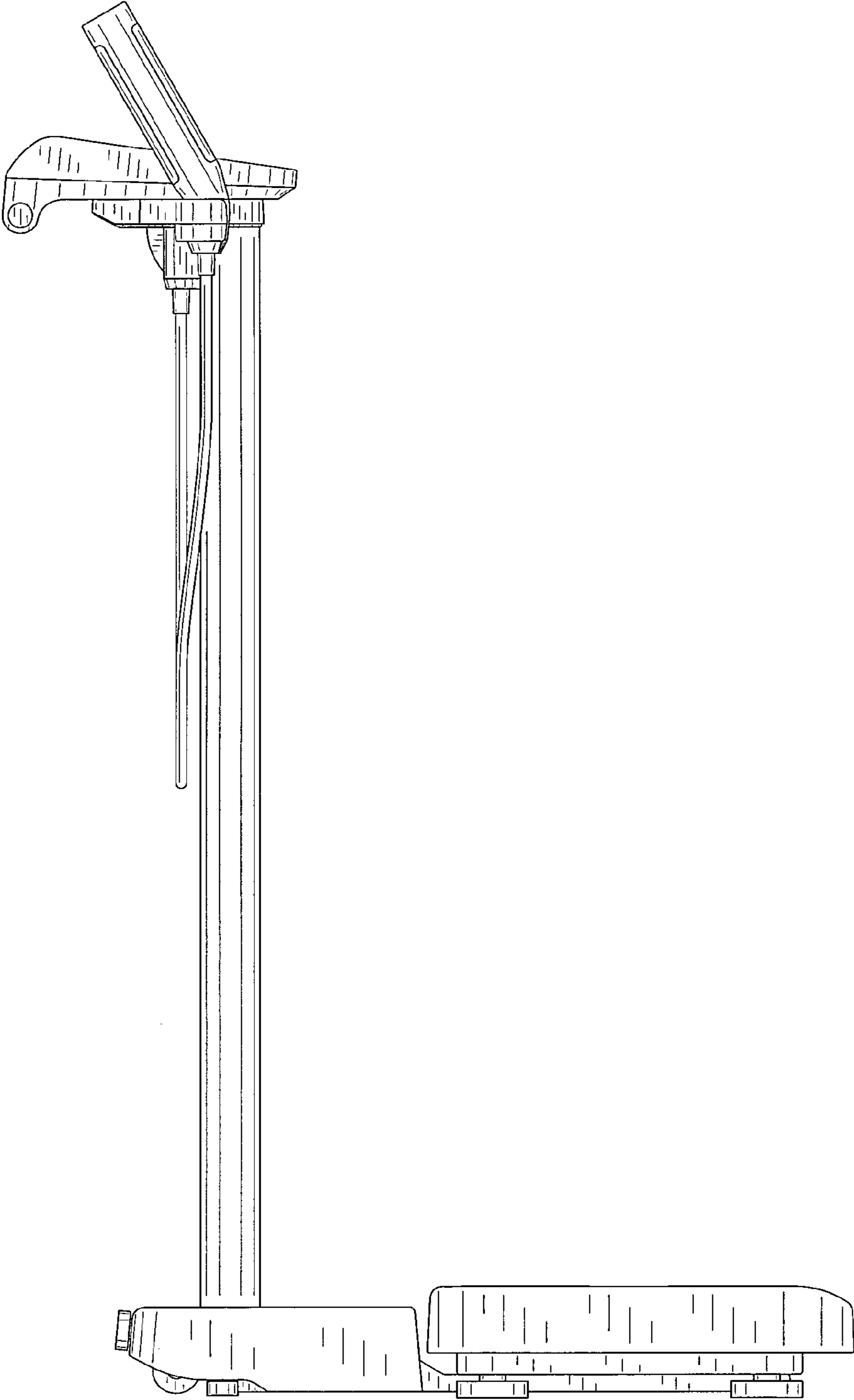


FIG. 4

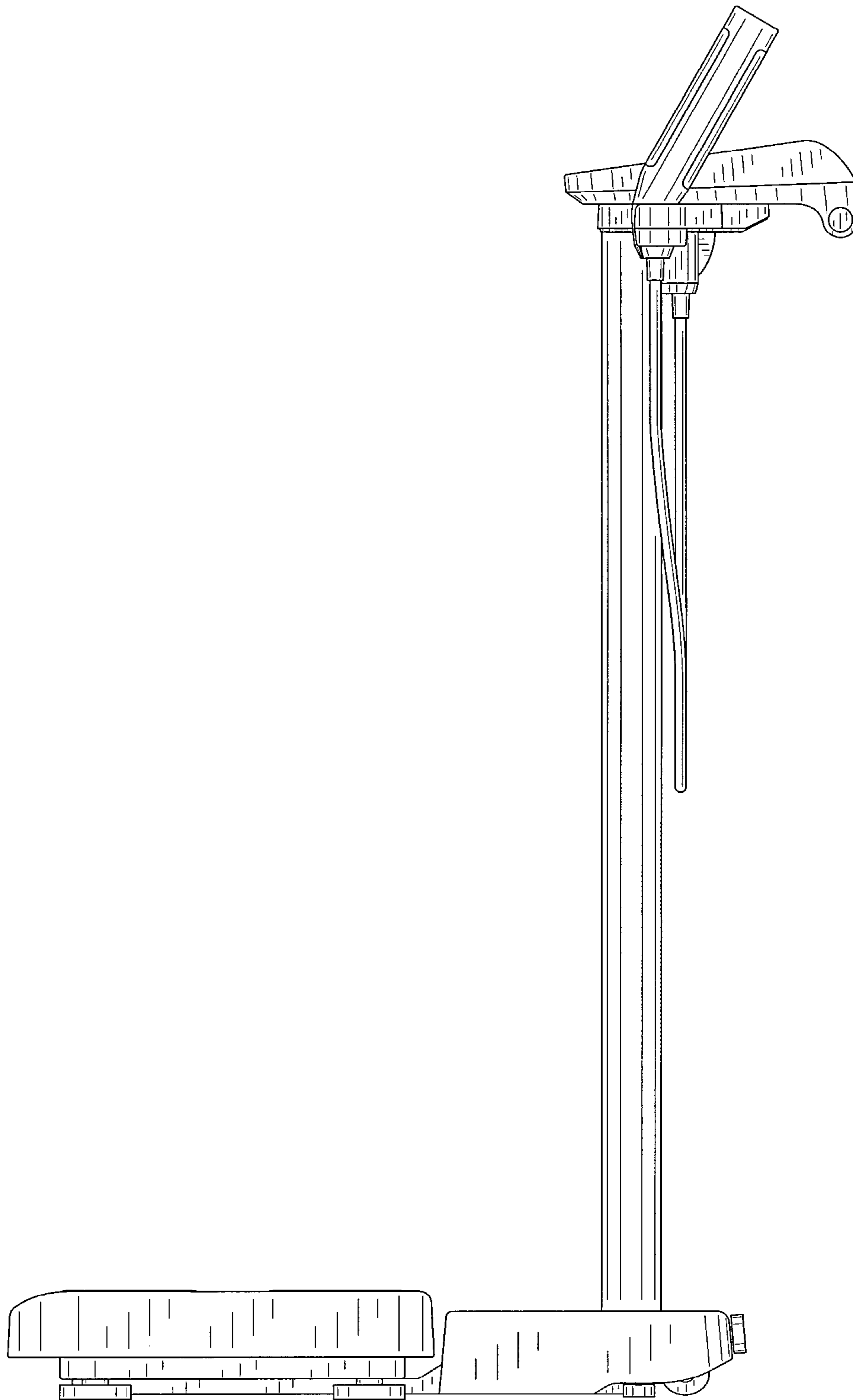


FIG. 5

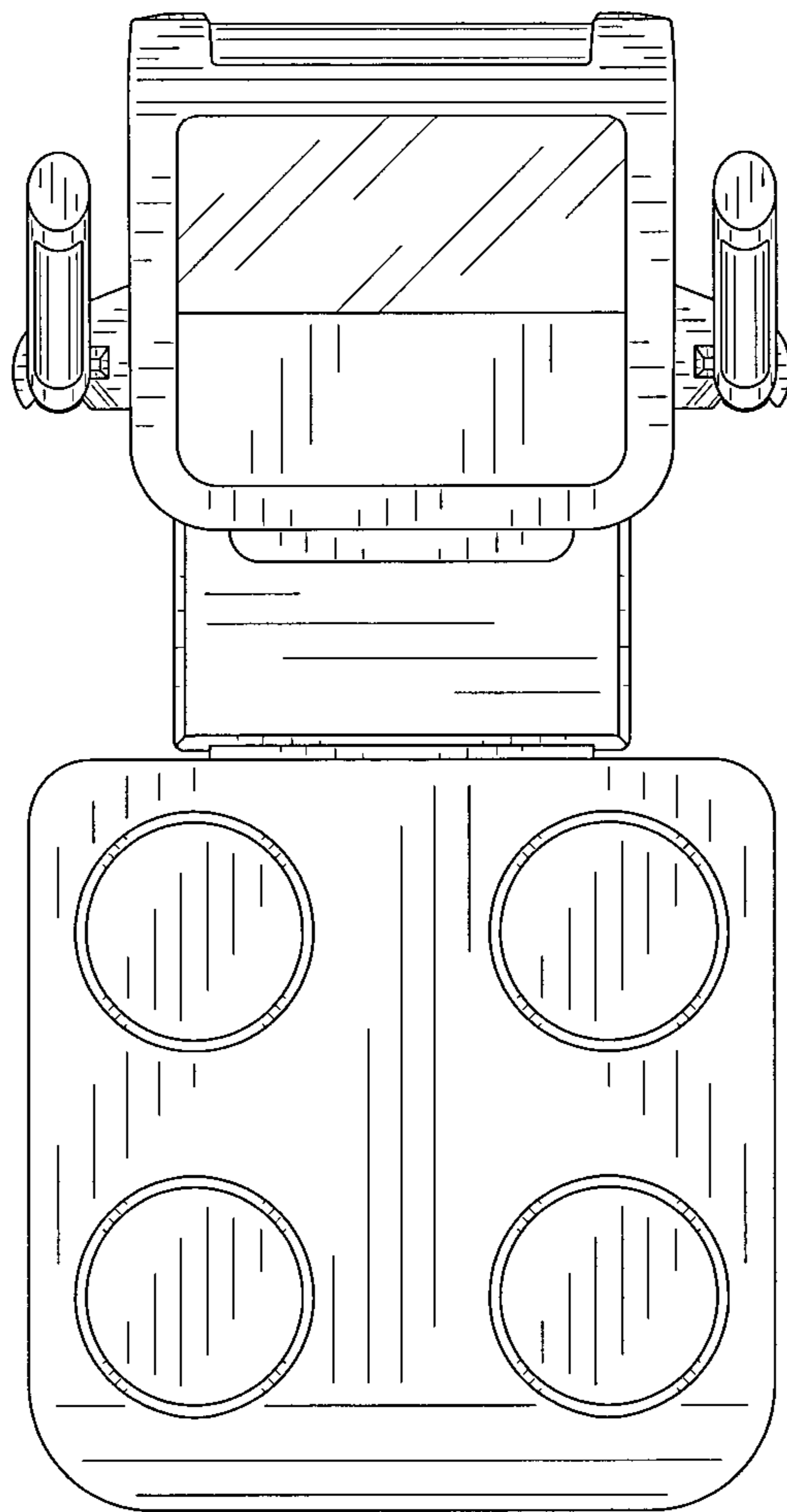


FIG. 6

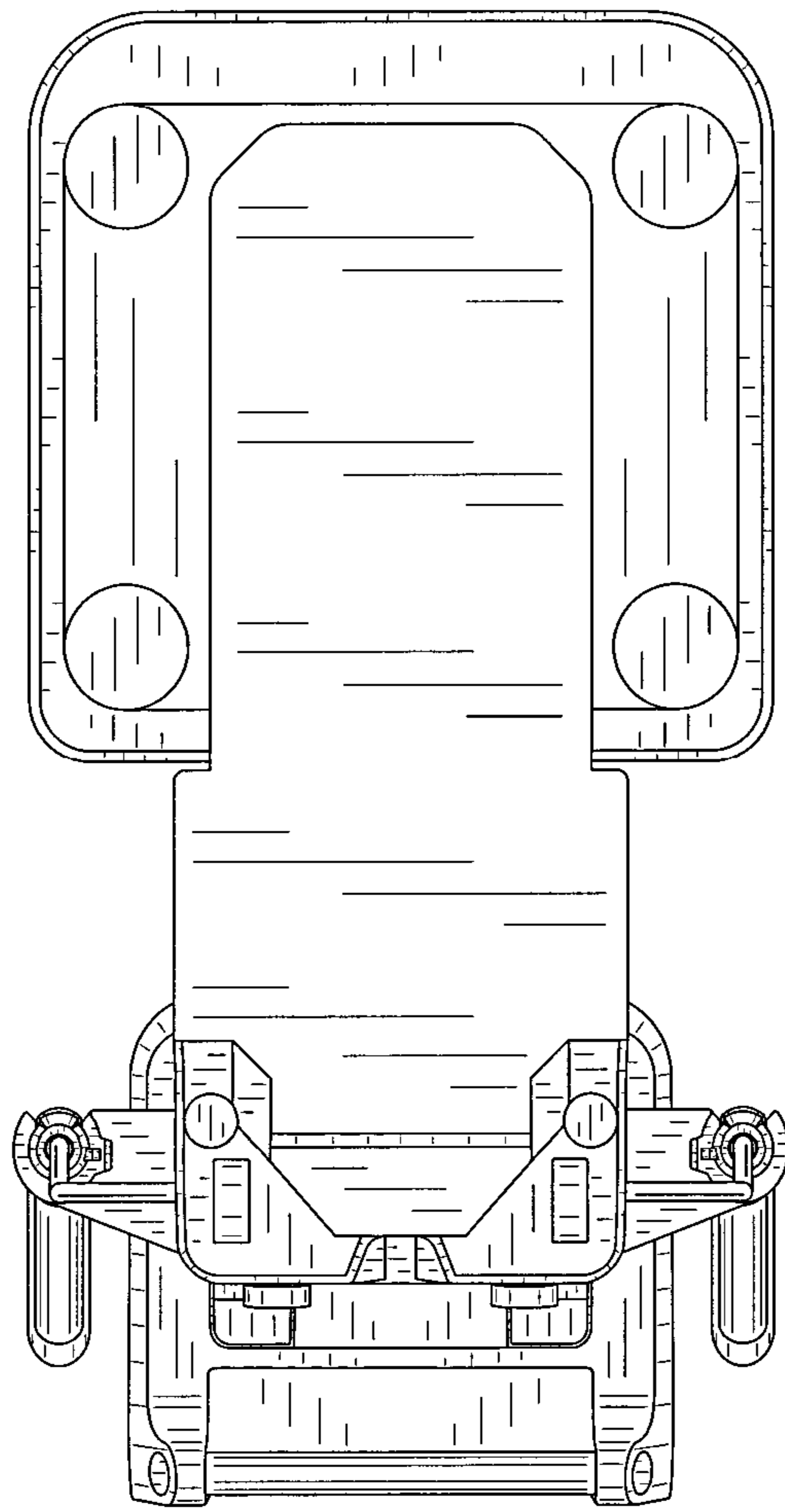


FIG. 7

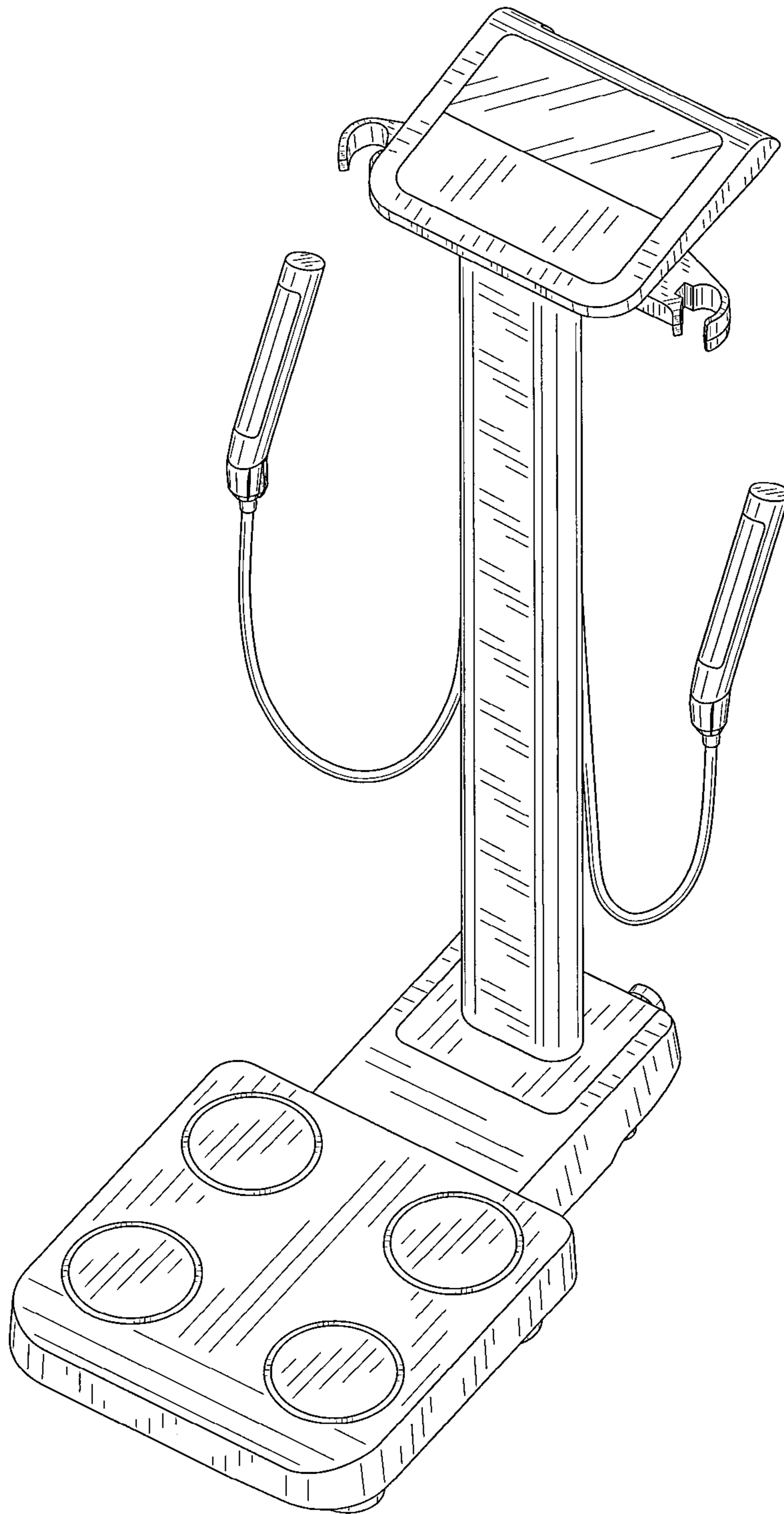


FIG. 8