



US00D691904S

(12) **United States Design Patent**  
**Shimuta et al.**

(10) **Patent No.:** **US D691,904 S**

(45) **Date of Patent:** **\*\* Oct. 22, 2013**

(54) **LIVING BODY INFORMATION SENSOR**

2013/0085361 A1\* 4/2013 Mercanzini et al. .... 600/377  
2013/0103129 A1\* 4/2013 Turner et al. .... 607/116

(75) Inventors: **Toru Shimuta**, Nagaokakyo (JP); **Eiji Takahashi**, Nagaokakyo (JP); **Kazuhiro Yamaji**, Nagaokakyo (JP); **Hiroyuki Nakaji**, Nagaokakyo (JP)

\* cited by examiner

*Primary Examiner* — Antoine D Davis

(74) *Attorney, Agent, or Firm* — Dickstein Shapiro LLP

(73) Assignee: **Murata Manufacturing Co., Ltd.**,  
Nagaokakyo-Shi, Kyoto-fu (JP)

(57) **CLAIM**

The ornamental design for a living body information sensor, as shown.

(\*\*) Term: **14 Years**

**DESCRIPTION**

(21) Appl. No.: **29/431,951**

(22) Filed: **Sep. 12, 2012**

(30) **Foreign Application Priority Data**

Mar. 30, 2012 (JP) ..... 2012-007517

Mar. 30, 2012 (JP) ..... 2012-007518

(51) **LOC (9) Cl.** ..... **10-04**

(52) **U.S. Cl.**

USPC ..... **D10/81**; D24/187

(58) **Field of Classification Search**

USPC ..... D10/78, 81; D24/216, 187; 382/115;

600/362, 547, 499, 486, 301, 509, 587,

600/557, 407, 117, 118, 513, 481, 310,

600/377; 607/72, 74, 116

See application file for complete search history.

(56) **References Cited**

U.S. PATENT DOCUMENTS

D232,590 S \* 8/1974 Moore ..... D24/168  
D343,130 S \* 1/1994 Gambill et al. .... D10/52  
D433,755 S \* 11/2000 Mastrototaro et al. .... D24/187  
D452,323 S \* 12/2001 Mastrototaro et al. .... D24/187  
D469,540 S \* 1/2003 Holker et al. .... D24/187  
D546,721 S \* 7/2007 Gozani et al. .... D10/81  
D603,725 S \* 11/2009 Watanabe et al. .... D10/46  
D604,185 S \* 11/2009 Watanabe et al. .... D10/46  
D605,535 S \* 12/2009 Watanabe et al. .... D10/46  
2012/0310067 A1\* 12/2012 Najafi et al. .... 600/377

FIG. 1 is a front view of a living body information sensor of a first embodiment showing our new design;

FIG. 2 is a rear view thereof;

FIG. 3 is a top plan view thereof;

FIG. 4 is a bottom plan view thereof;

FIG. 5 is a right side view thereof;

FIG. 6 is a left side view thereof;

FIG. 7 is an enlarged front view taken along line 7-7 of FIG. 1 thereof;

FIG. 8 is an enlarged front view taken along line 8-8 of FIG. 1 thereof;

FIG. 9 is an enlarged front view taken along line 9-9 of FIG. 1 thereof;

FIG. 10 is an enlarged rear view taken along line 10-10 of FIG. 2 thereof

FIG. 11 is an enlarged bottom plan view taken along line 11-11 of FIG. 4 thereof;

FIG. 12 is an enlarged rear view taken along line 12-12 of FIG. 2 thereof;

FIG. 13 is an enlarged top plan view taken along line 13-13 of FIG. 3 thereof;

FIG. 14 is a referential front view showing a transparent portion, which is indicated with oblique lines thereof;

FIG. 15 is a referential rear view showing a transparent portion, which is indicated with oblique lines thereof;

FIG. 16 is a referential front view showing a translucent portion, which is indicated with oblique lines thereof;

FIG. 17 is a referential bottom plan view showing a translucent portion, which is indicated with oblique lines thereof;

FIG. 18 is a referential cross-sectional view taken along line 18-18 of FIG. 16 thereof;

FIG. 19 is a perspective view thereof;

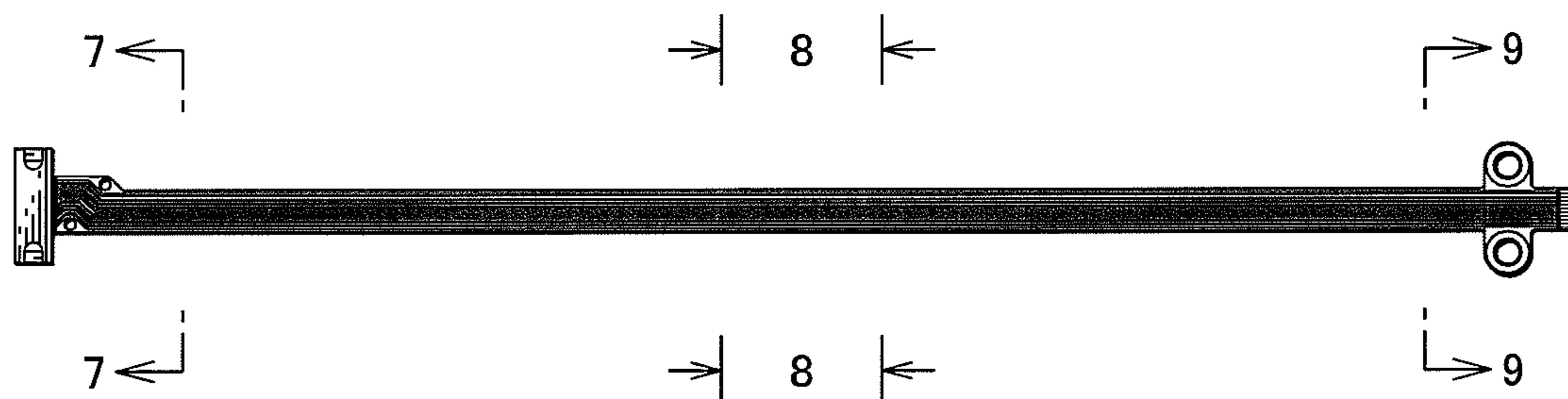


FIG. 20 is a front view of a living body information sensor of a second embodiment showing our new design;

FIG. 21 is a rear view thereof;

FIG. 22 is a top plan view thereof;

FIG. 23 is a bottom plan view thereof;

FIG. 24 is a right side view thereof;

FIG. 25 is a left side view thereof;

FIG. 26 is an enlarged front view taken along line 26-26 of FIG. 20 thereof;

FIG. 27 is an enlarged front view taken along line 27-27 of FIG. 20 thereof;

FIG. 28 is an enlarged front view taken along line 28-28 of FIG. 20 thereof;

FIG. 29 is an enlarged rear view taken along line 29-29 of FIG. 21 thereof;

FIG. 30 is an enlarged bottom plan view taken along line 30-30 of FIG. 23 thereof;

FIG. 31 is an enlarged rear view taken along line 31-31 of FIG. 21 thereof;

FIG. 32 is an enlarged top plan view taken along line 32-32 of FIG. 22 thereof;

FIG. 33 is a referential front view showing a transparent portion, which is indicated with oblique lines thereof;

FIG. 34 is a referential rear view showing a transparent portion, which is indicated with oblique lines thereof;

FIG. 35 is a referential front view showing a translucent portion, which is indicated with oblique lines thereof;

FIG. 36 is a referential cross-sectional view taken along line 36-36 of FIG. 35 thereof; and,

FIG. 37 is a perspective view thereof.

The broken line showing of structural features are included for the purpose of illustrating non-claimed subject matter and forms no part of the claimed design.

**1 Claim, 12 Drawing Sheets**

FIG.1

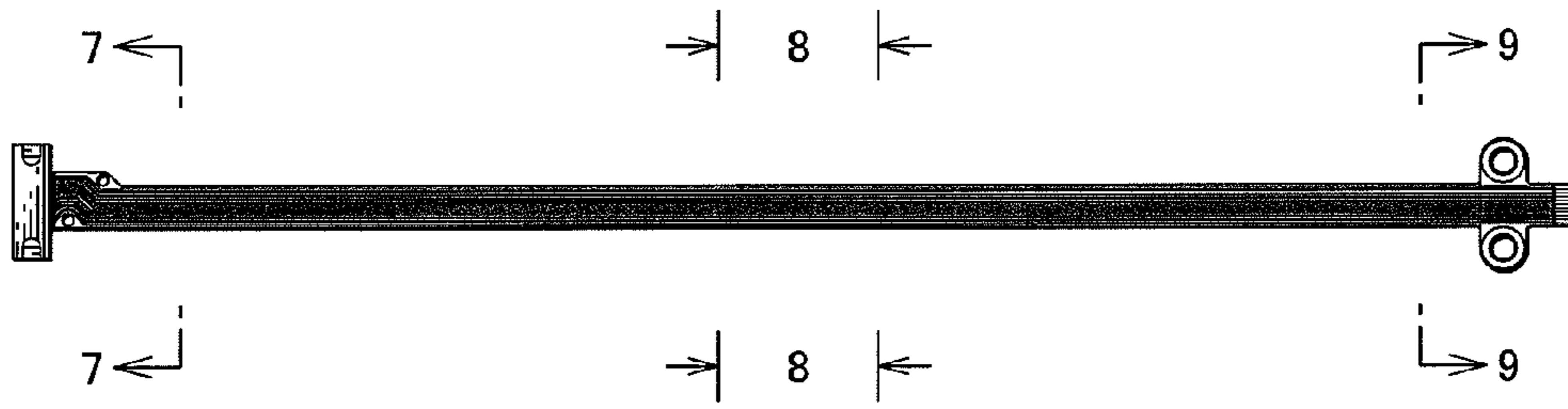


FIG.2



FIG.3

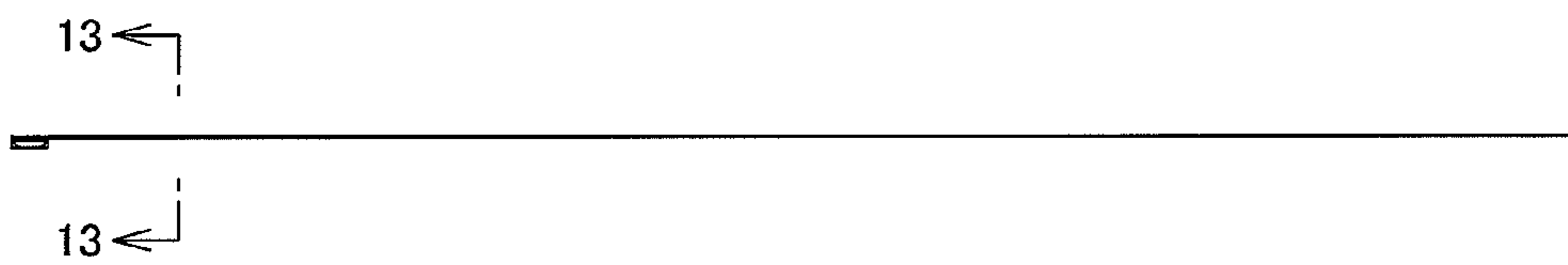


FIG.4

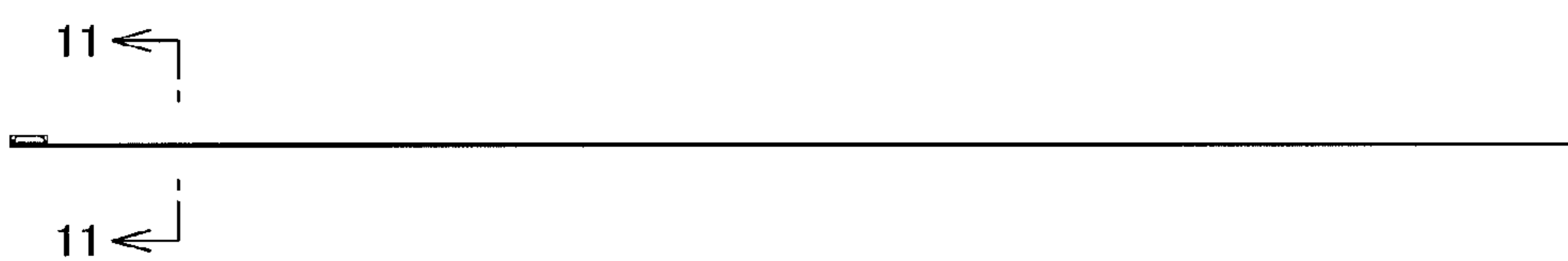


FIG.5



FIG.6



FIG.7

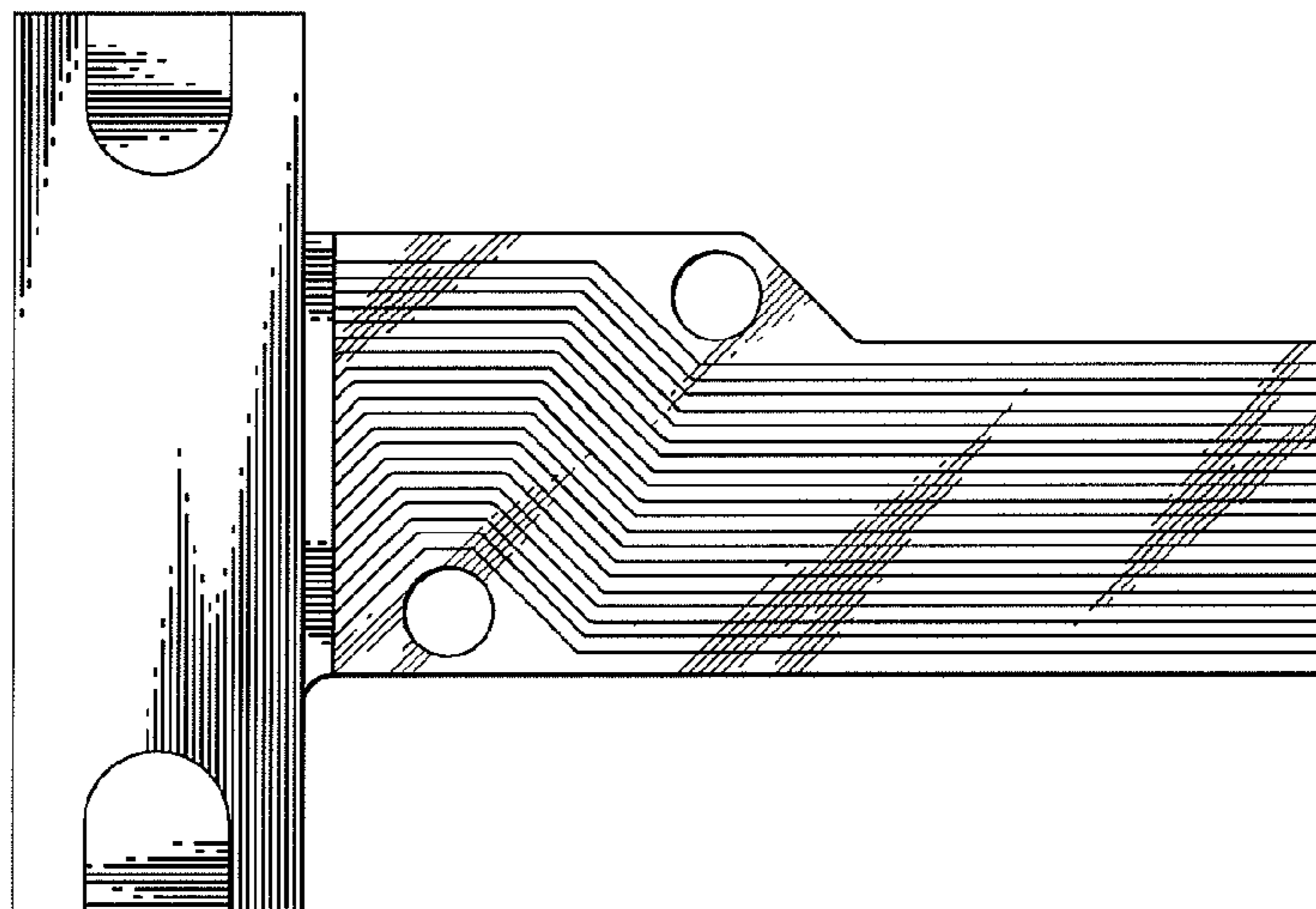




FIG.8

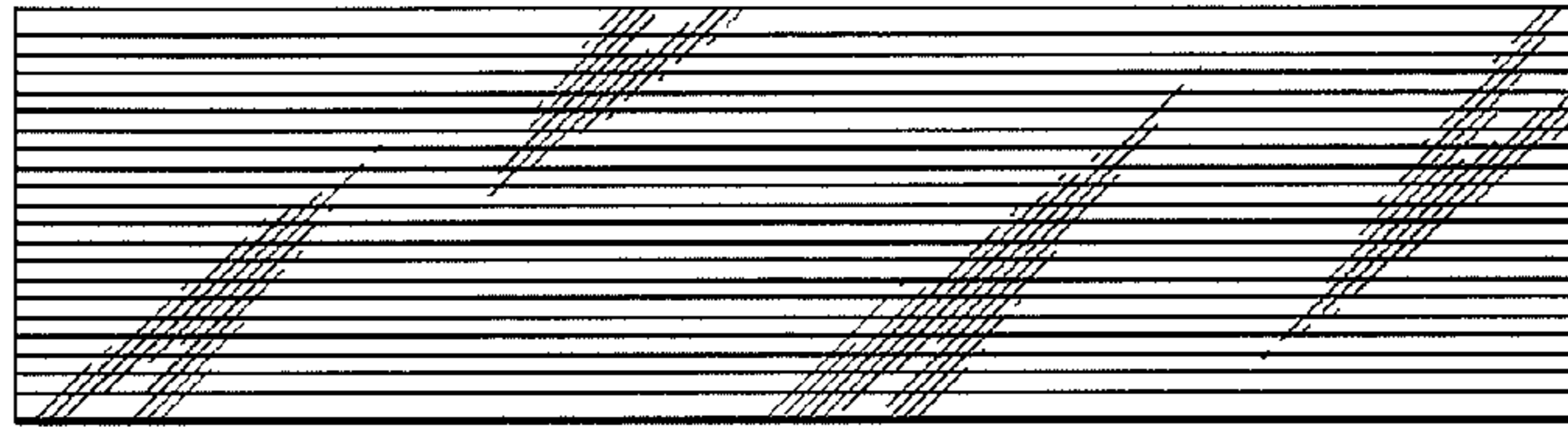


FIG.9

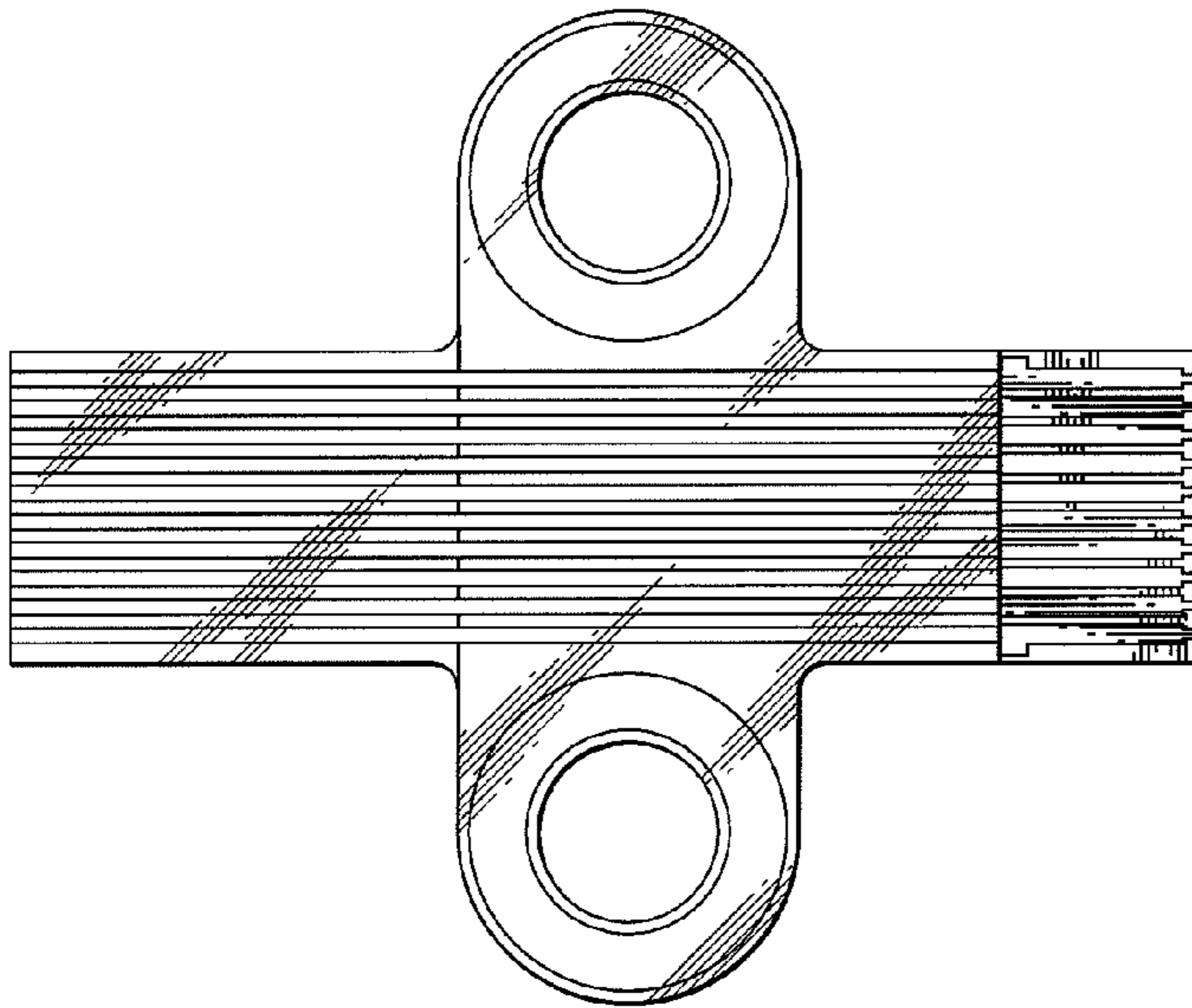


FIG.10

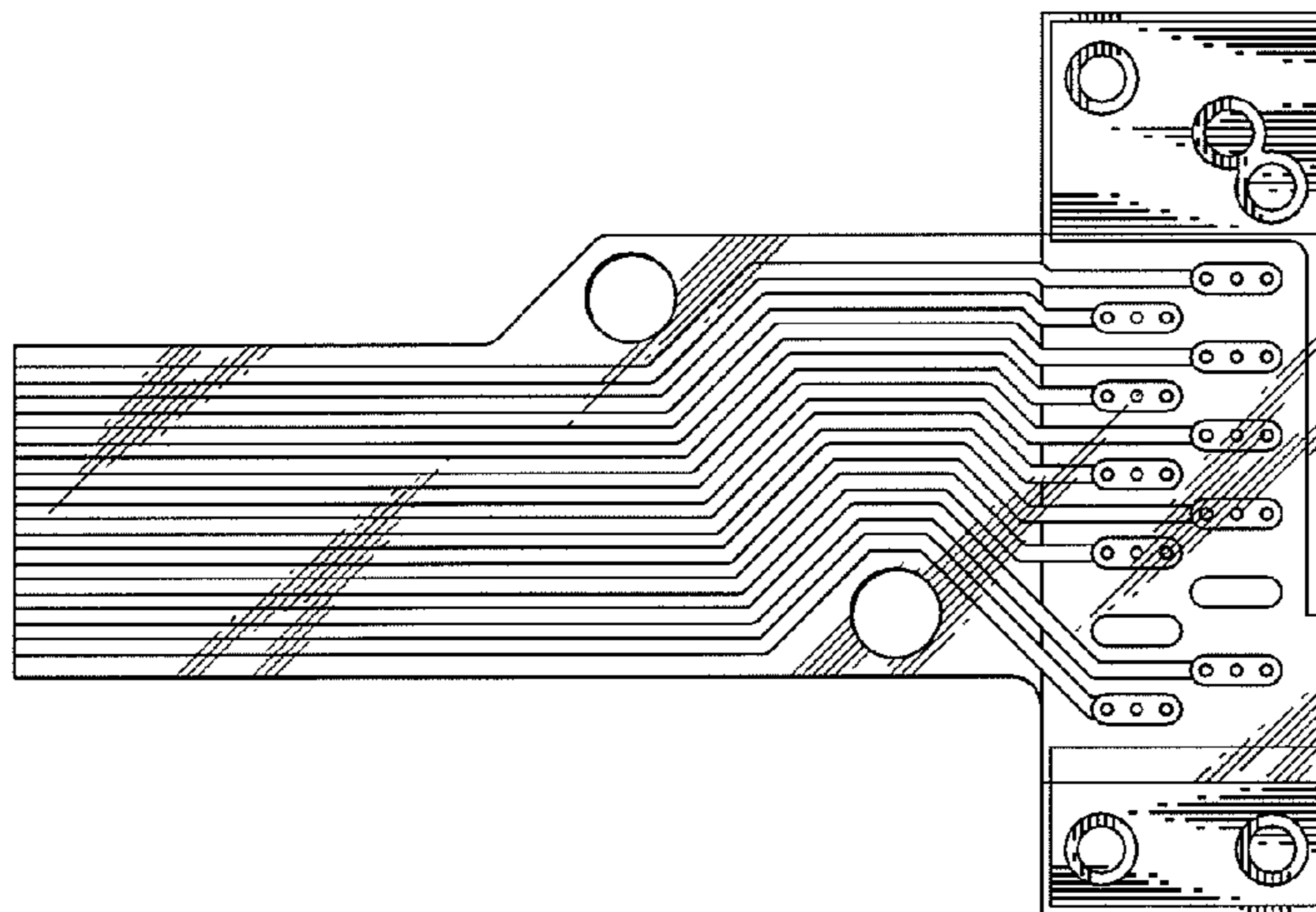


FIG.11



FIG.12

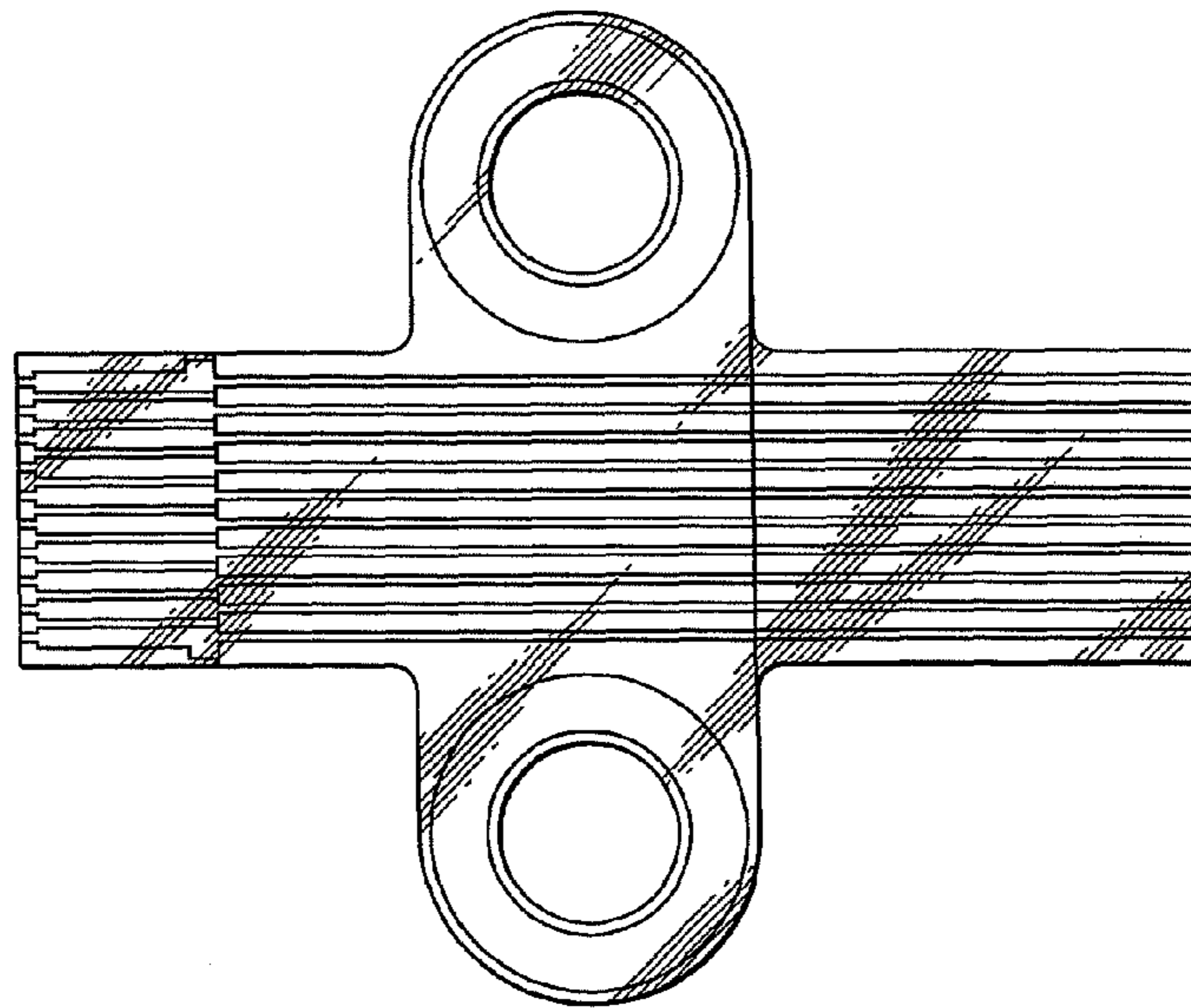


FIG.13

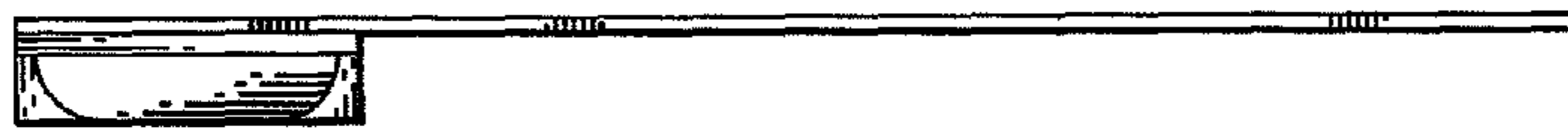


FIG.14

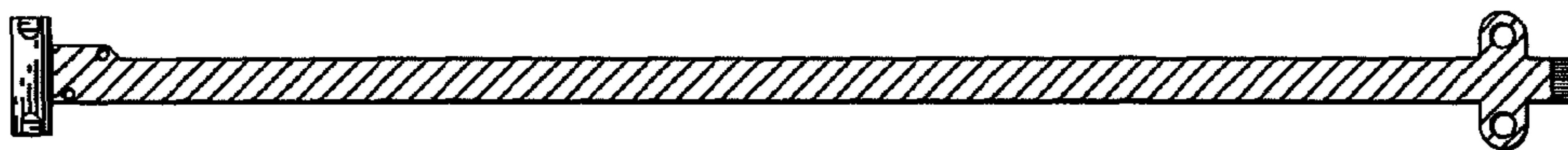


FIG.15

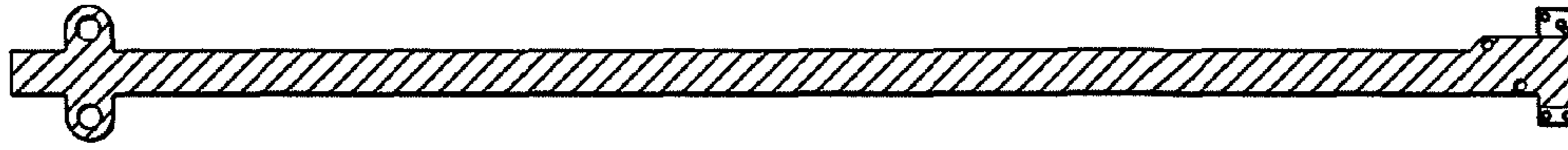


FIG.16

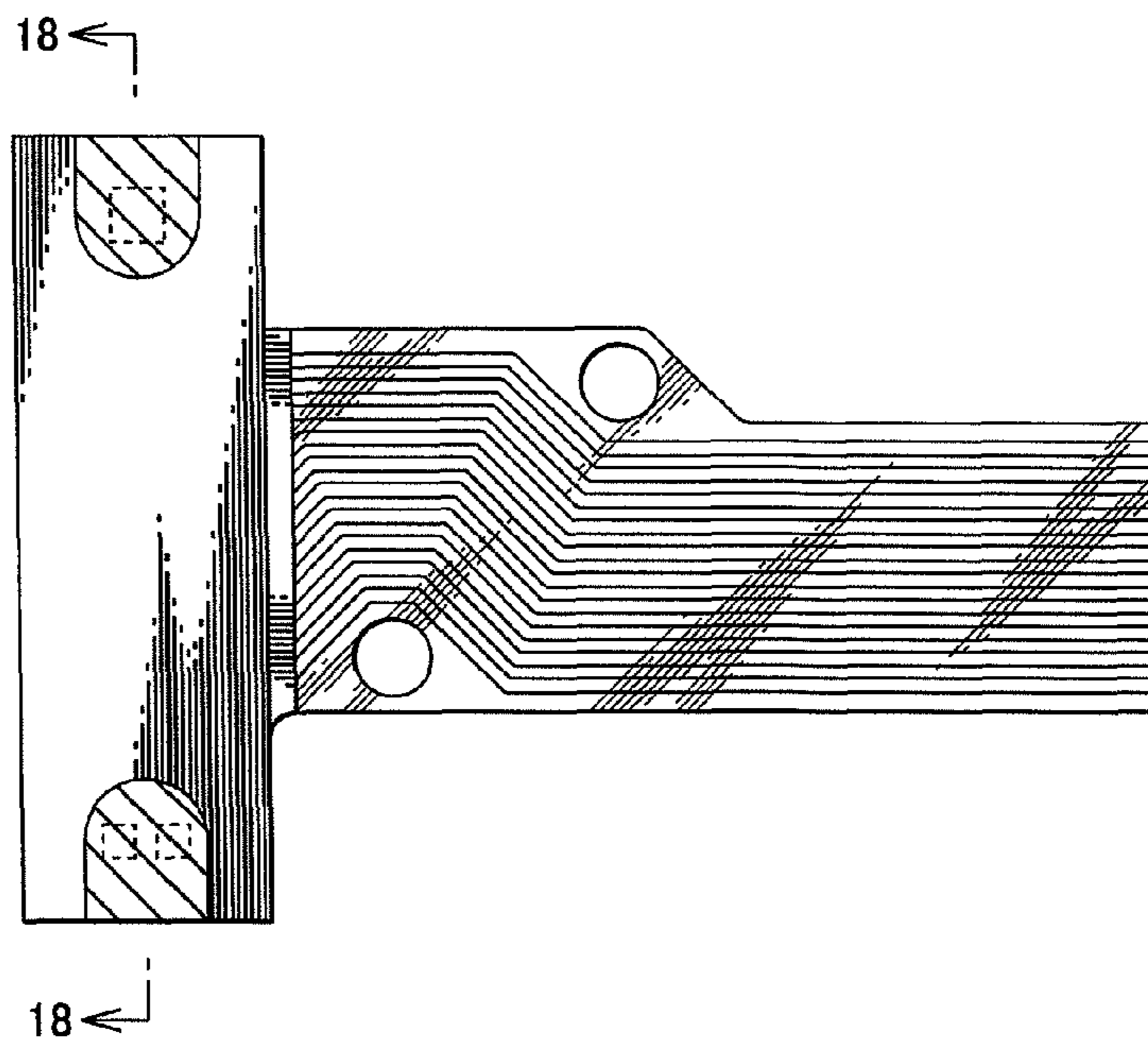


FIG.17



FIG.18



FIG.19

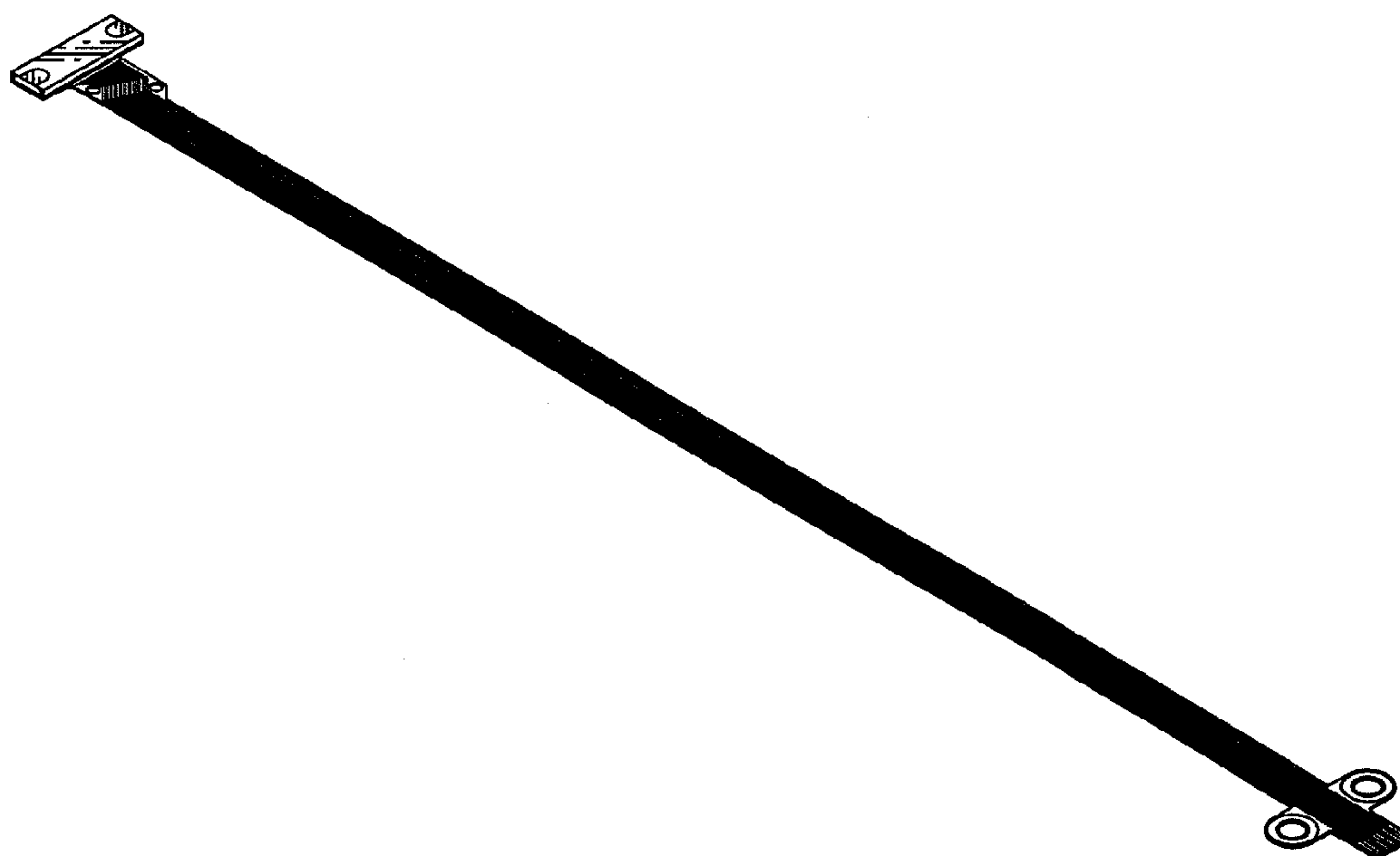




FIG.20

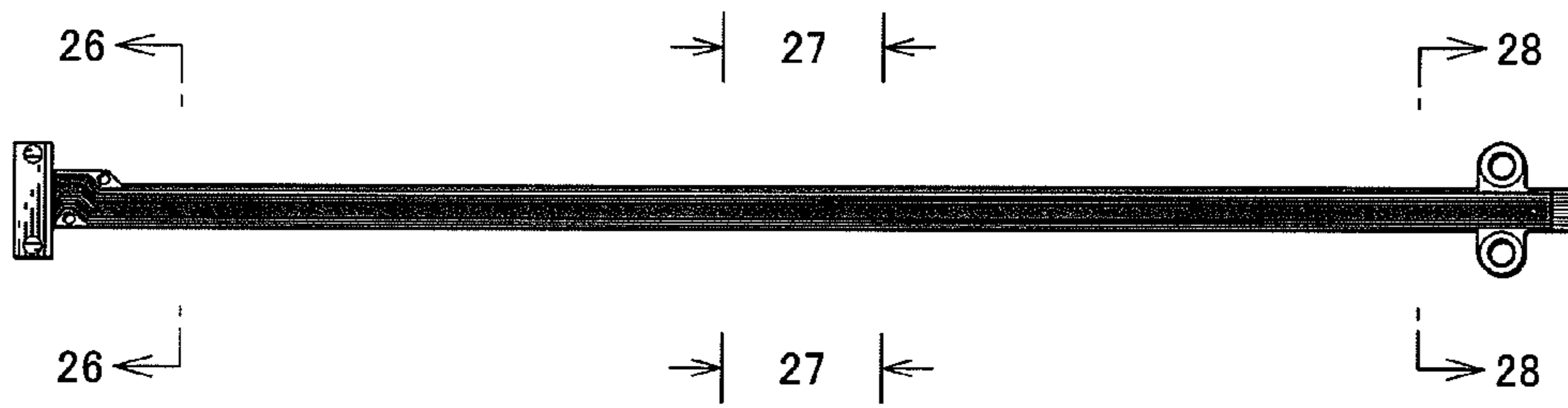


FIG.21

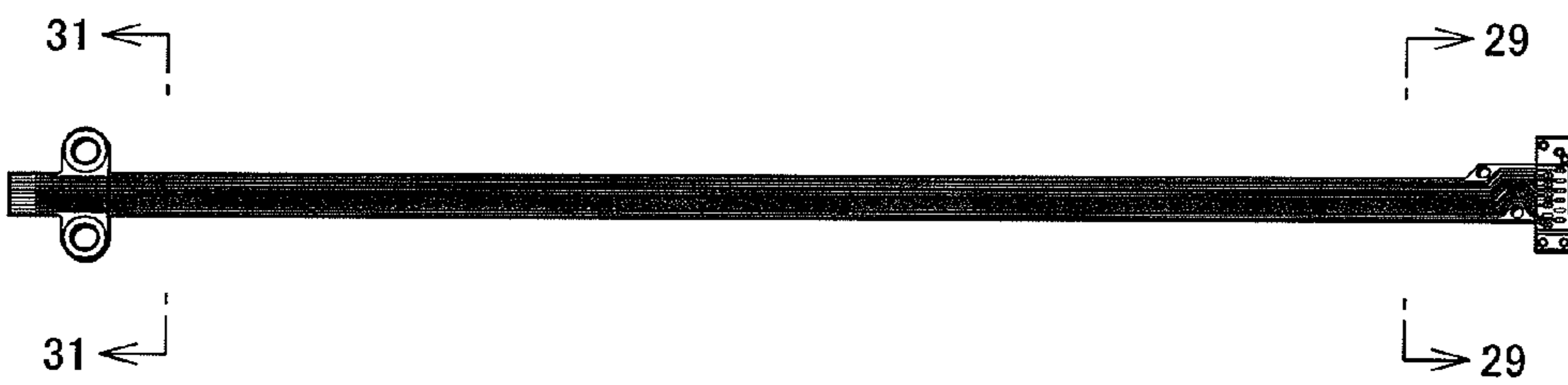


FIG.22

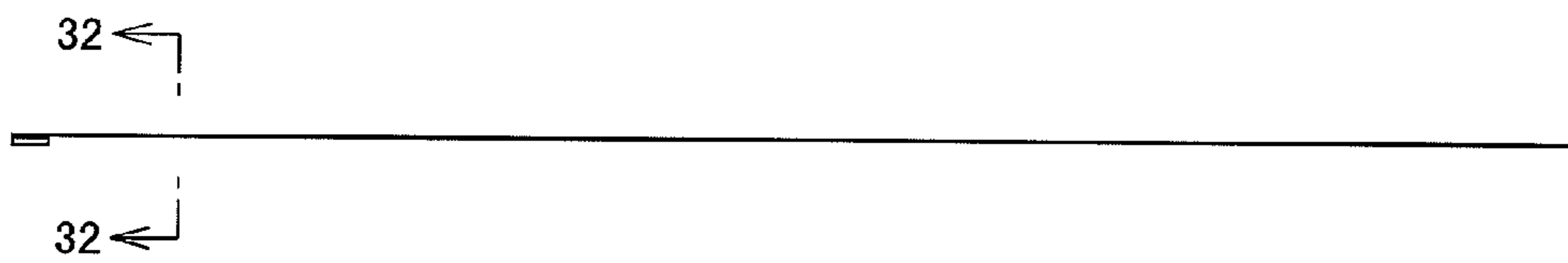


FIG.23

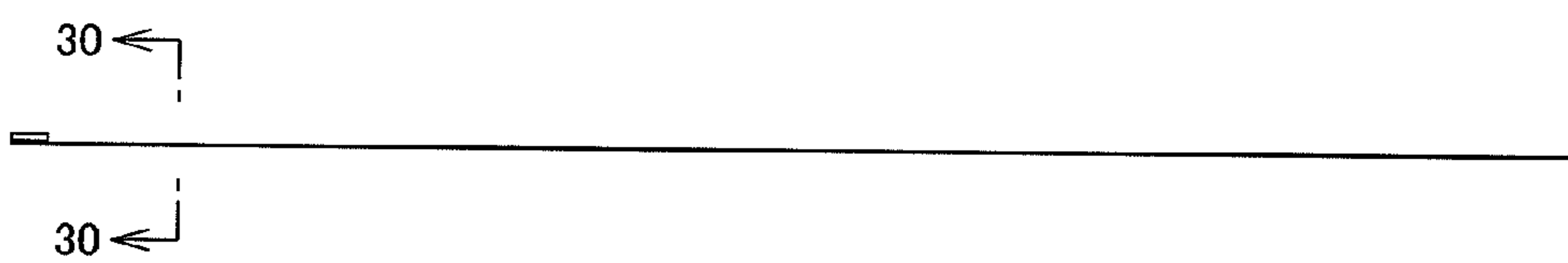


FIG.24



FIG.25



FIG.26

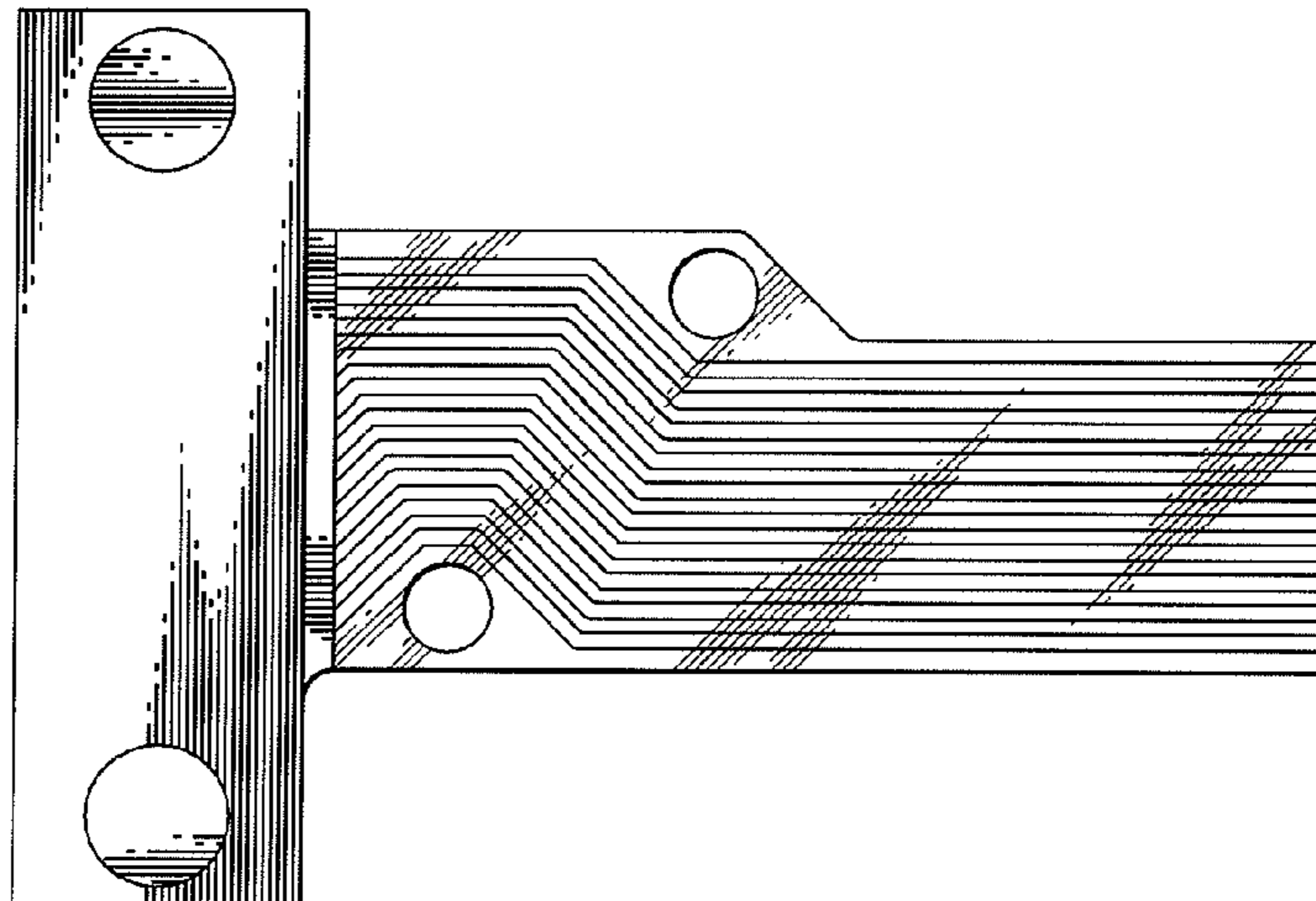


FIG.27

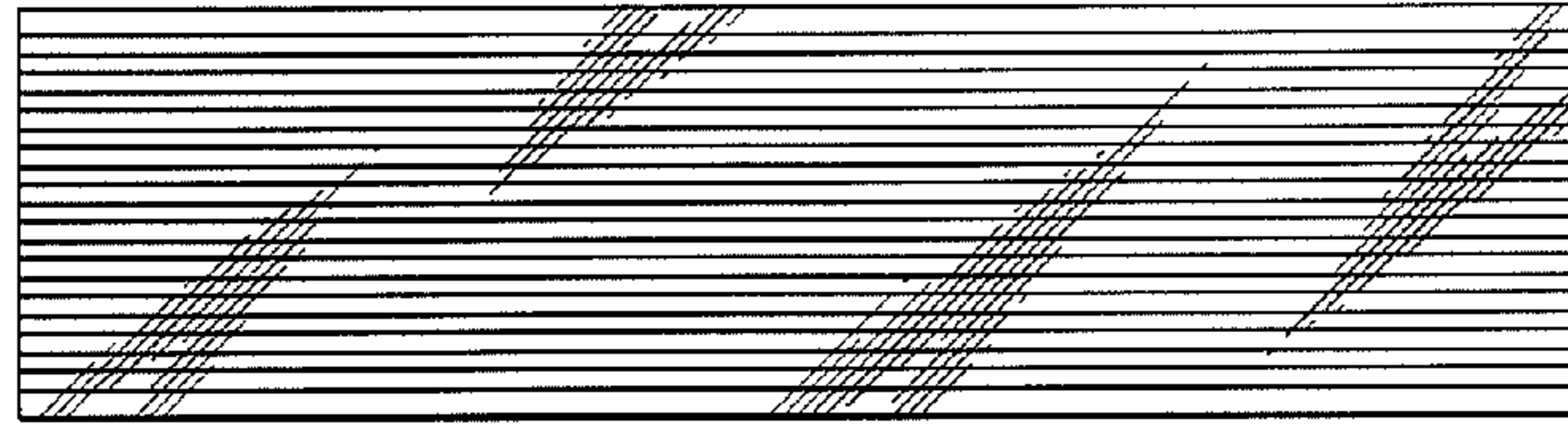


FIG.28

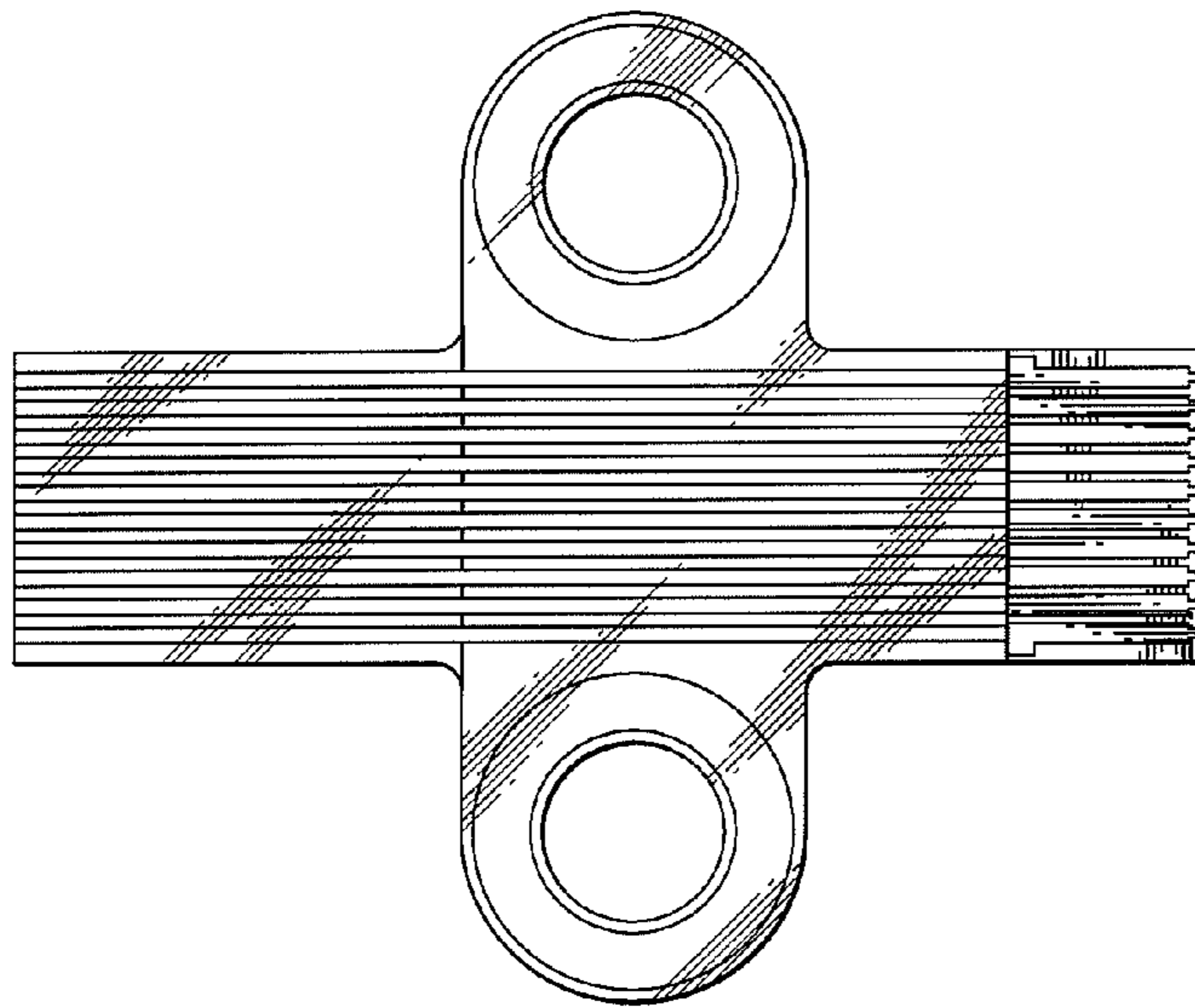


FIG.29

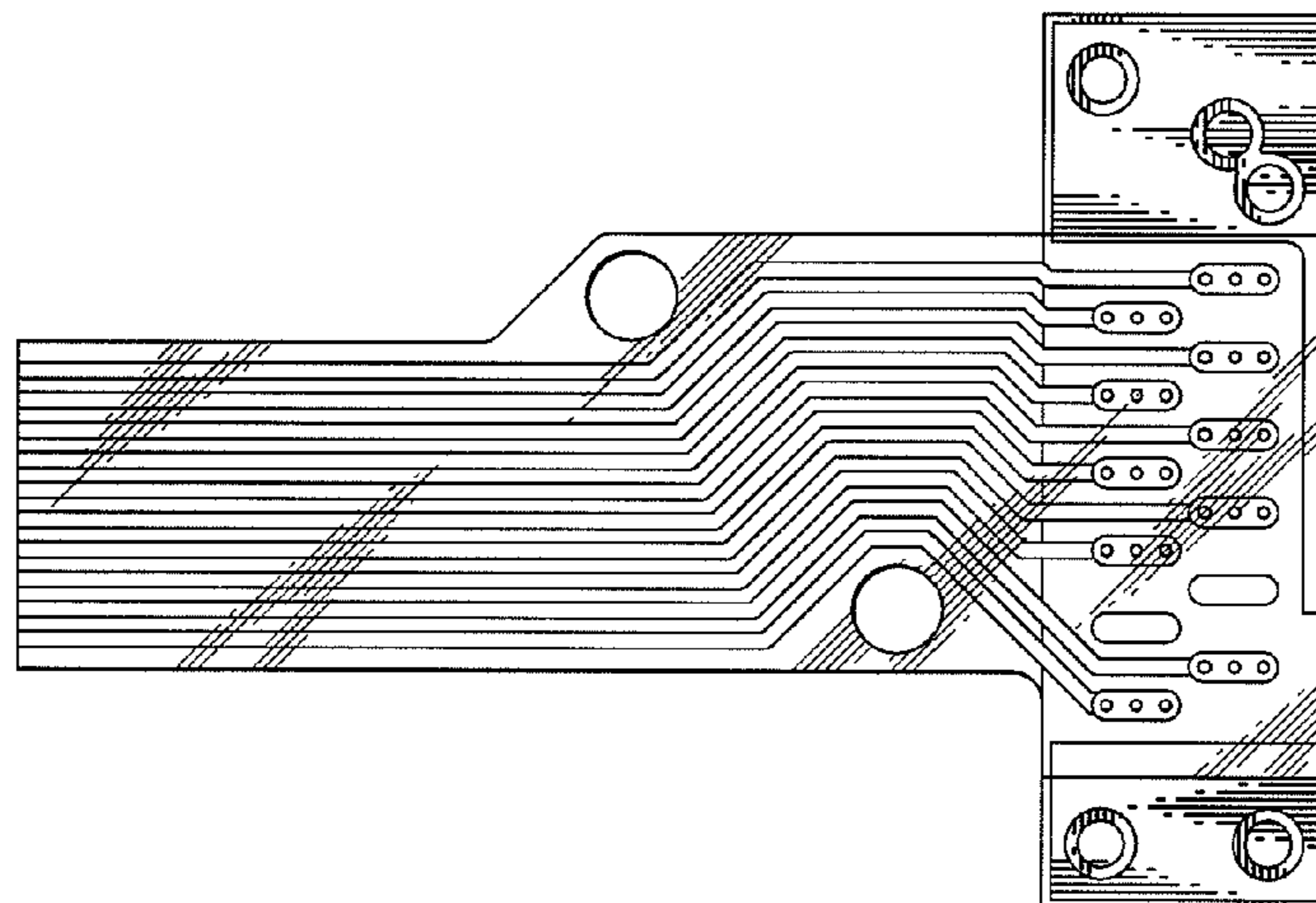


FIG.30



FIG.31

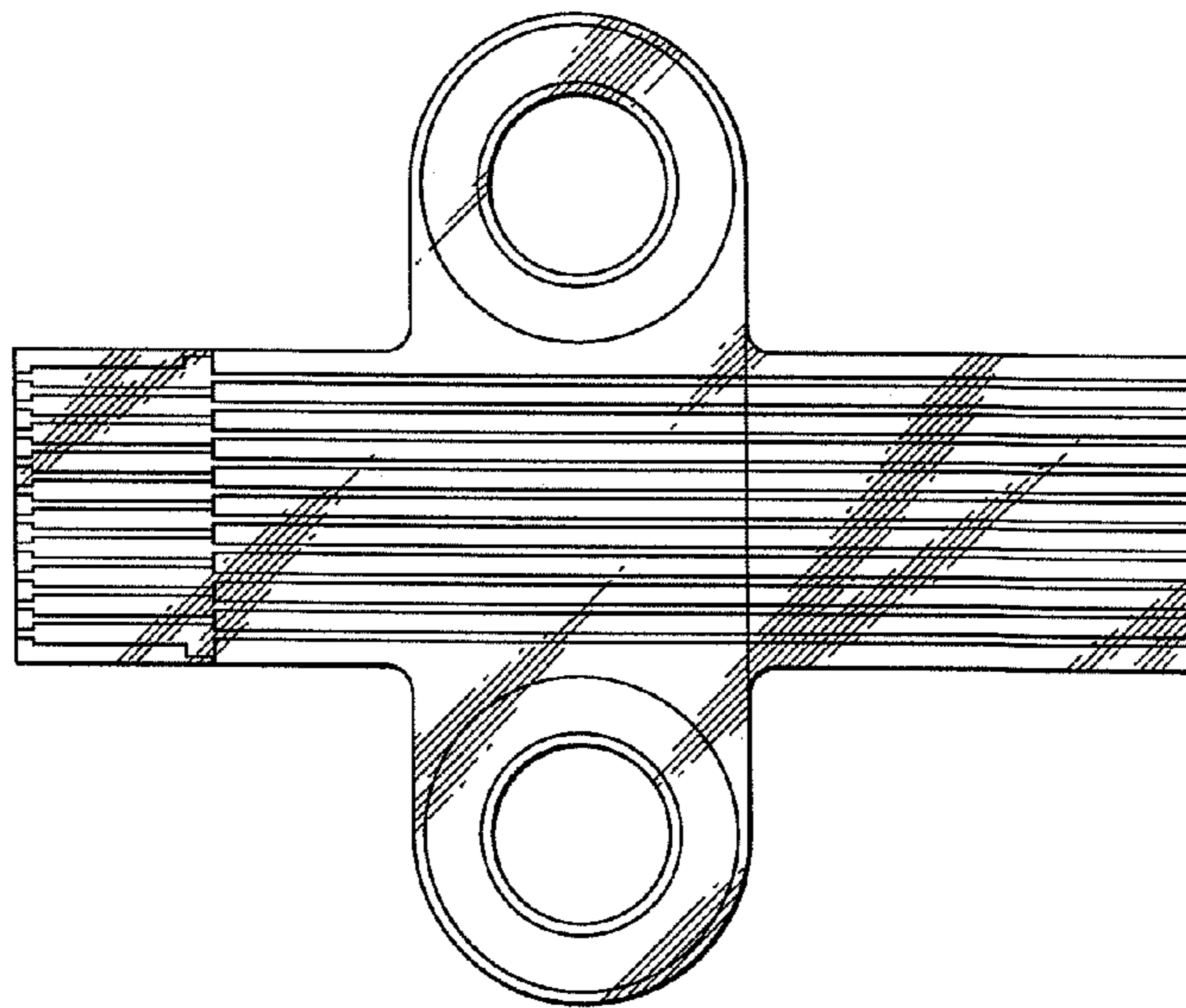


FIG.32

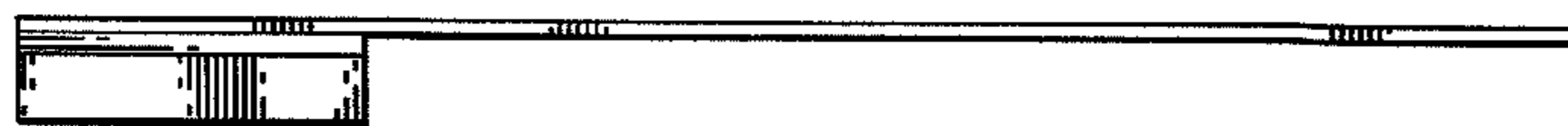


FIG.33

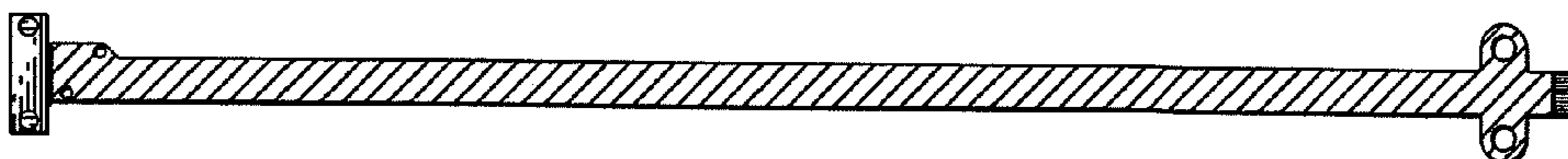


FIG.34

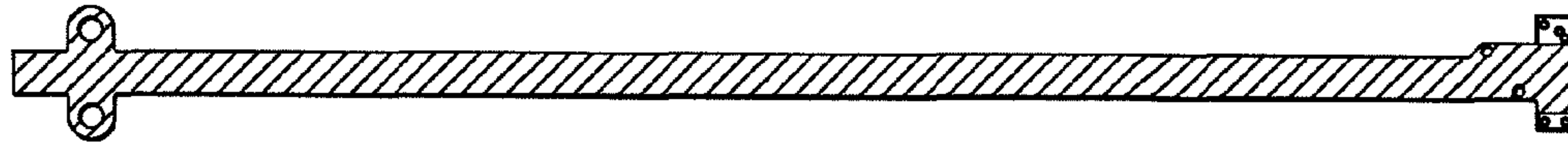


FIG.35

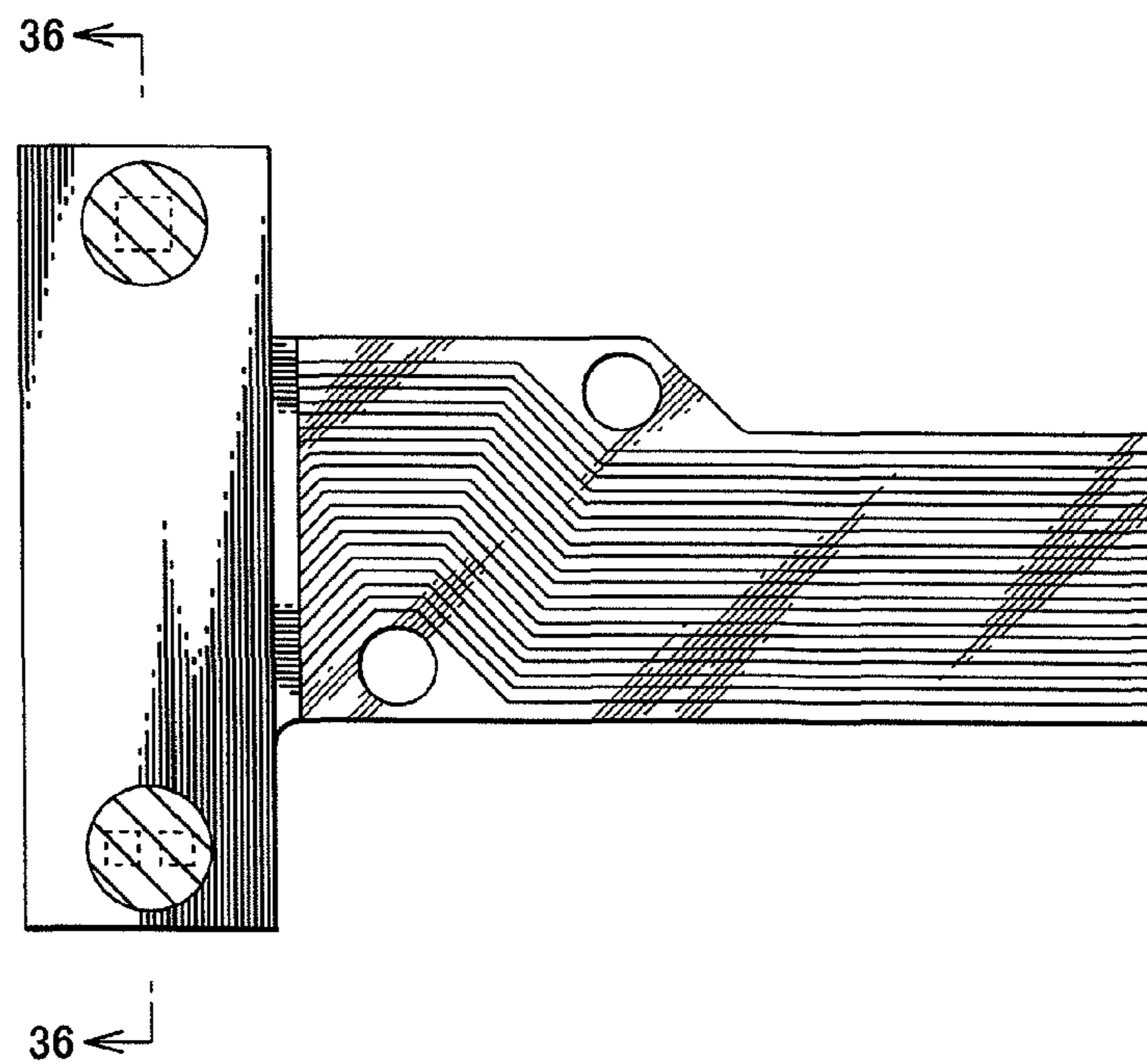




FIG.36

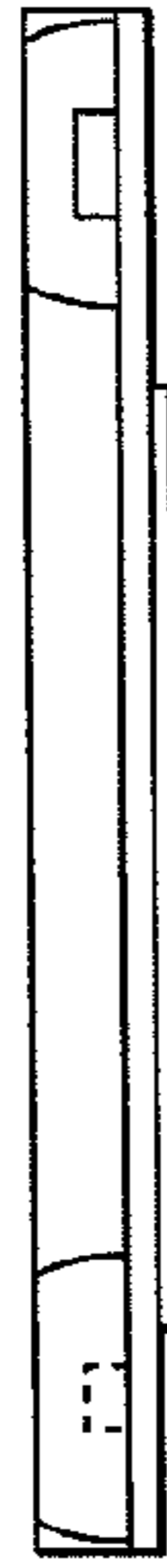


FIG.37

