

US00D691896S

(12) **United States Design Patent**
Martin et al.

(10) **Patent No.:** **US D691,896 S**

(45) **Date of Patent:** **** Oct. 22, 2013**

(54) **BOTTLE**

D544,367 S * 6/2007 Calderon-Bautista D9/668
D619,904 S * 7/2010 Ciucciomei D9/668
D665,265 S * 8/2012 Fonseca D9/668

(75) Inventors: **Steve W. Martin**, Ridgeville, IN (US);
Mark Repko, Indianapolis, IN (US)

* cited by examiner

(73) Assignee: **Saint-Gobain Containers, Inc.**, Muncie,
IN (US)

Primary Examiner — Sandra Morris

(74) *Attorney, Agent, or Firm* — John V. Daniluck; Bingham
Greenebaum Doll LLP

(**) Term: **14 Years**

(57) **CLAIM**

The ornamental design for a bottle, as shown and described.

(21) Appl. No.: **29/426,767**

DESCRIPTION

(22) Filed: **Jul. 10, 2012**

(51) **LOC (9) Cl.** **09-01**

(52) **U.S. Cl.**
USPC **D9/668**

(58) **Field of Classification Search**
USPC D9/600, 668, 500–503, 516, 537–543,
D9/549–558; 206/457, 527; 215/400;
220/890

See application file for complete search history.

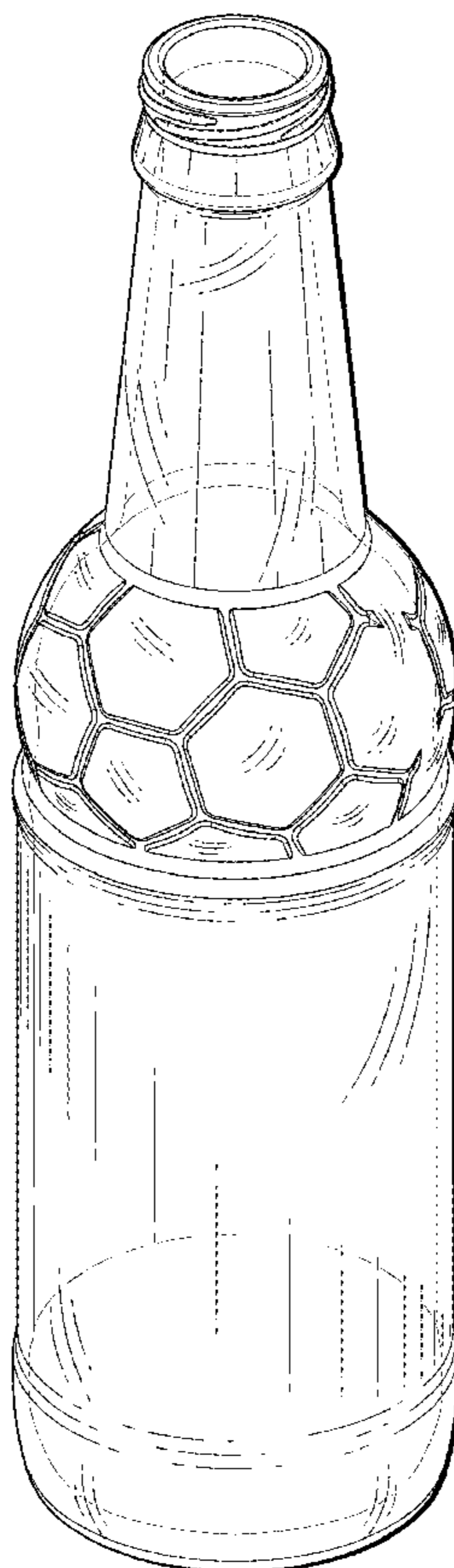
FIG. 1 is a front, right side, top perspective view of a bottle showing my new design;
FIG. 2 is a front elevational view thereof;
FIG. 3 is a right side elevational view thereof;
FIG. 4 is a left side elevational view thereof;
FIG. 5 is a top plan view thereof; and
FIG. 6 a rear elevational view thereof.
FIG. 7 is a front, right side, top perspective view of a bottle showing another embodiment of my new design;
FIG. 8 is a front elevational view thereof;
FIG. 9 is a right side elevational view thereof;
FIG. 10 is a left side elevational view thereof;
FIG. 11 is a top plan view thereof; and,
FIG. 12 a rear elevational view thereof.

(56) **References Cited**

U.S. PATENT DOCUMENTS

D324,330 S * 3/1992 Feletto D9/622
D419,058 S * 1/2000 Roth et al. D9/668

1 Claim, 12 Drawing Sheets



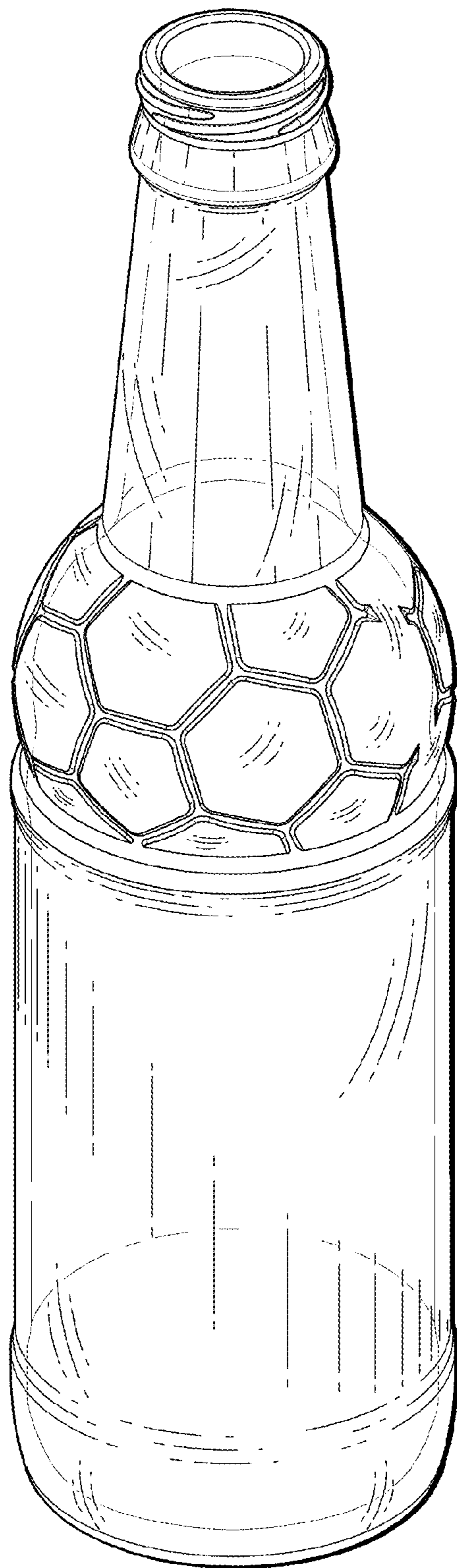


Fig. 1

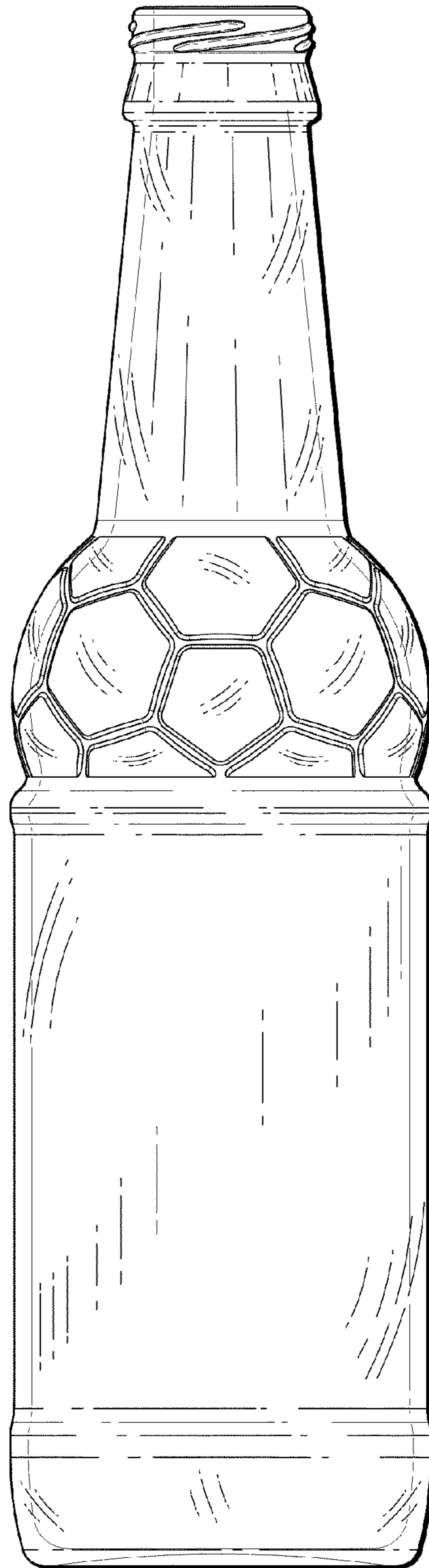


Fig. 2

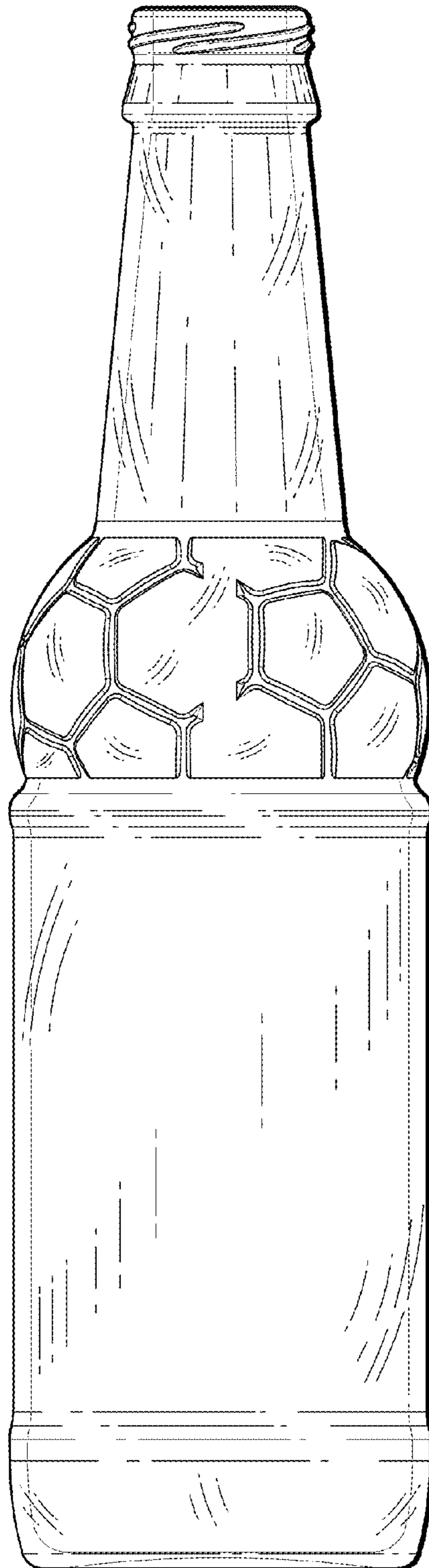


Fig. 3

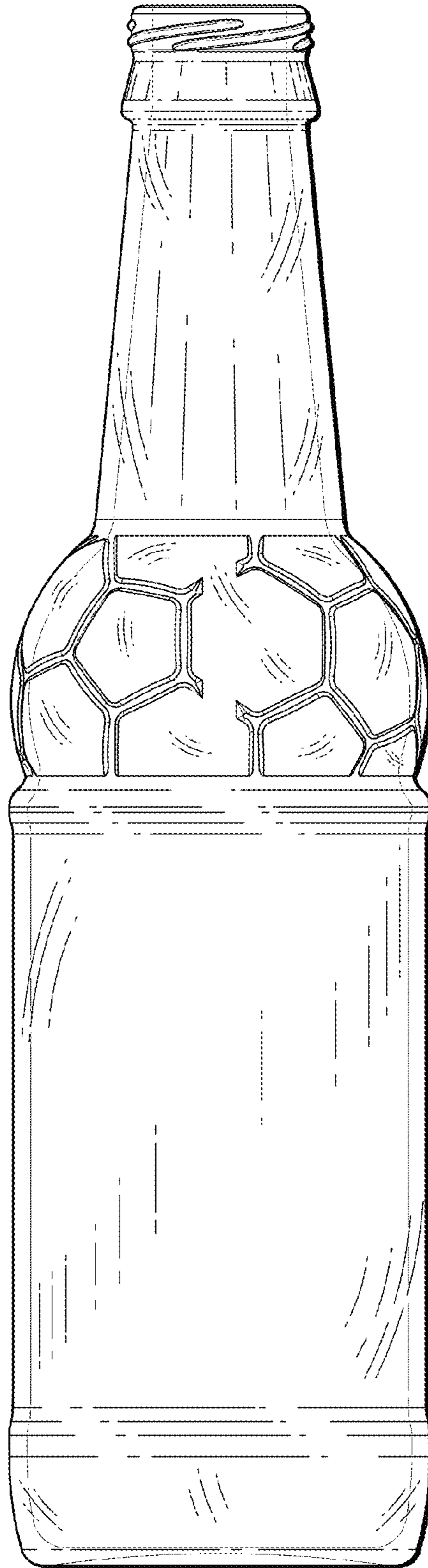


Fig. 4

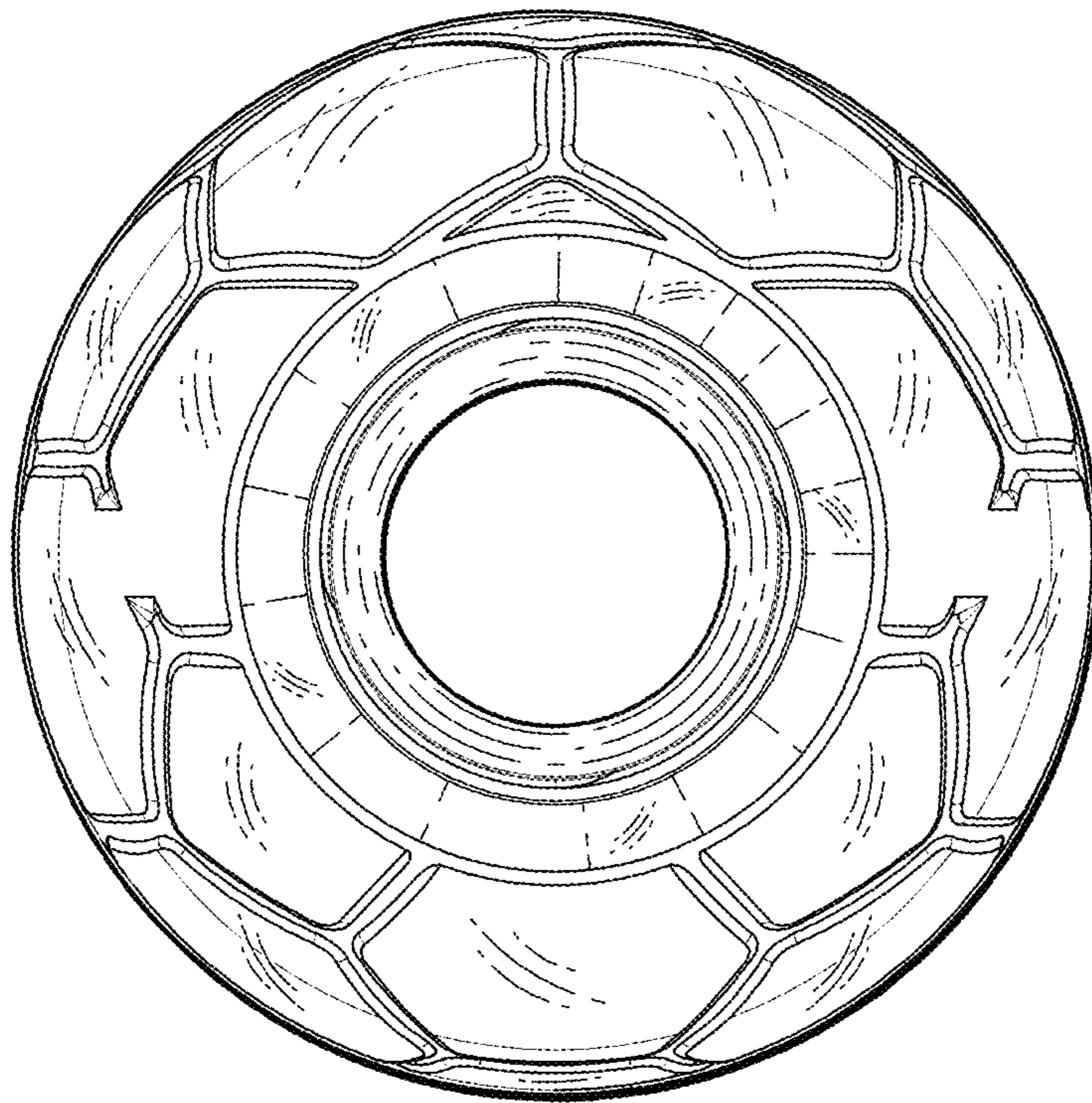


Fig. 5

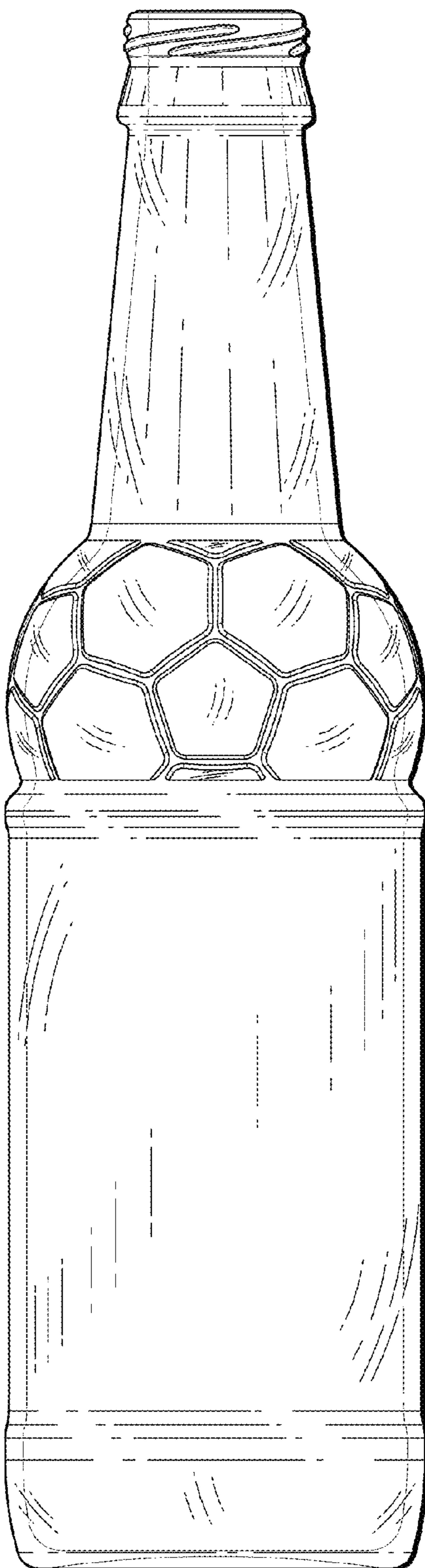


Fig. 6

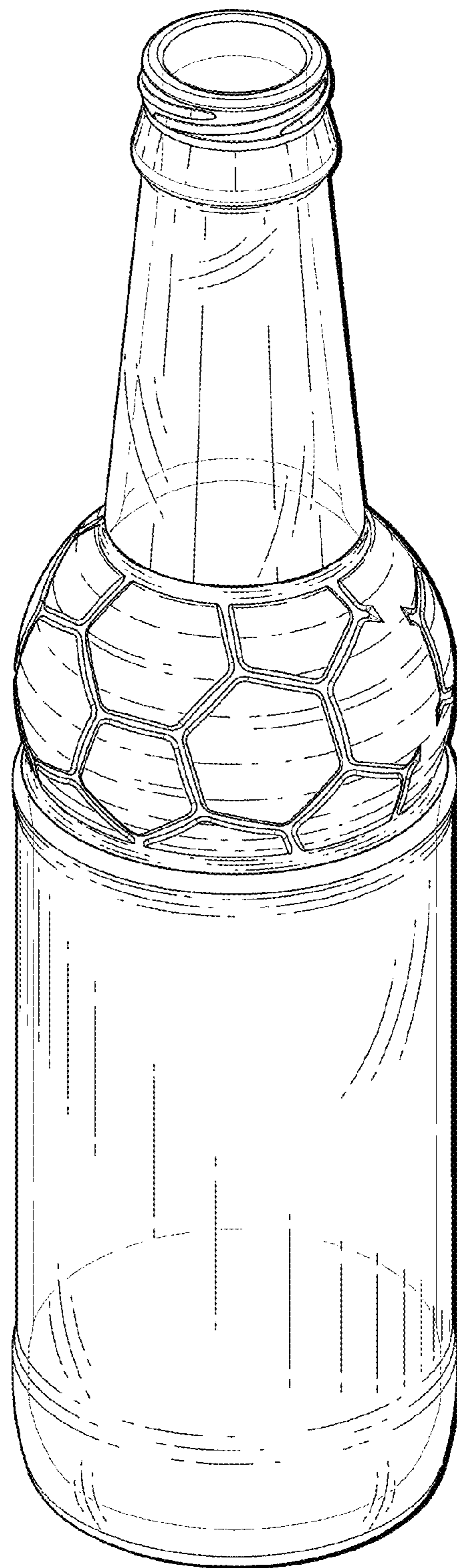


Fig. 7

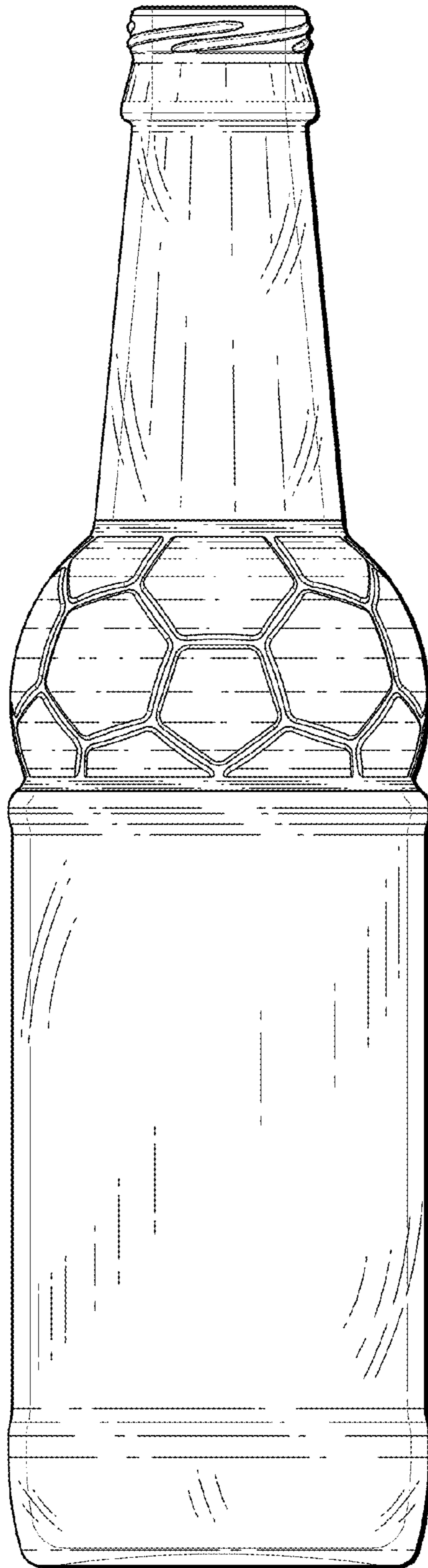


Fig. 8

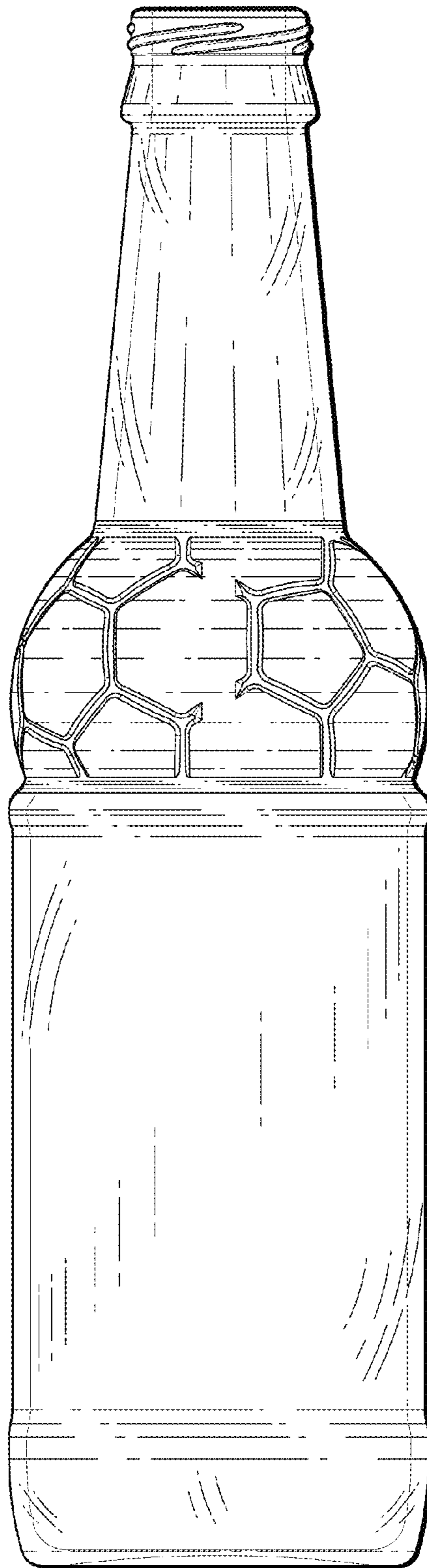


Fig. 9

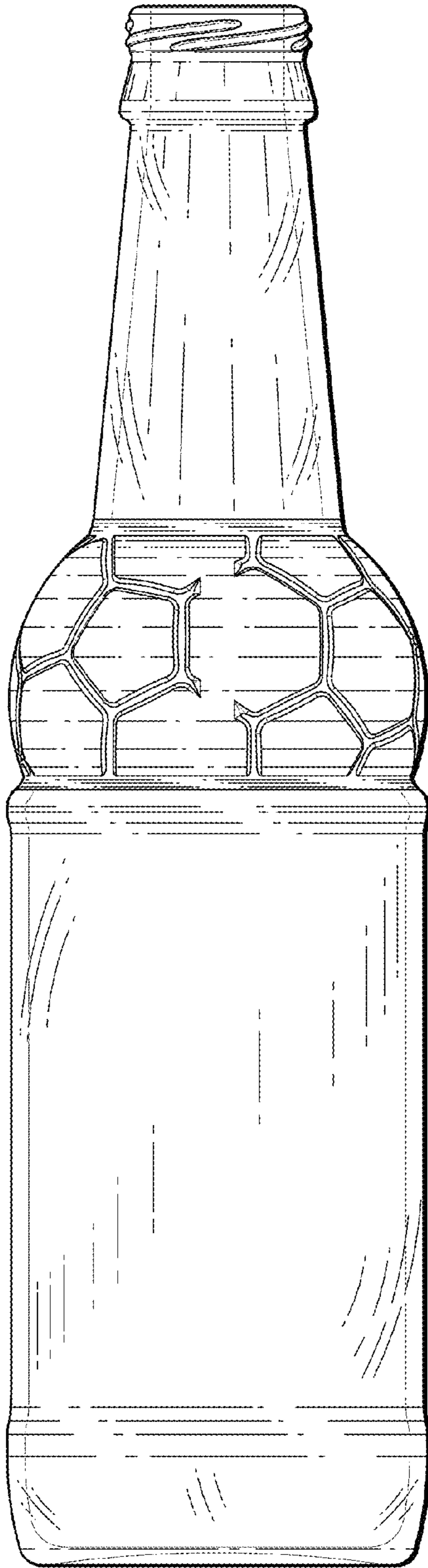


Fig. 10

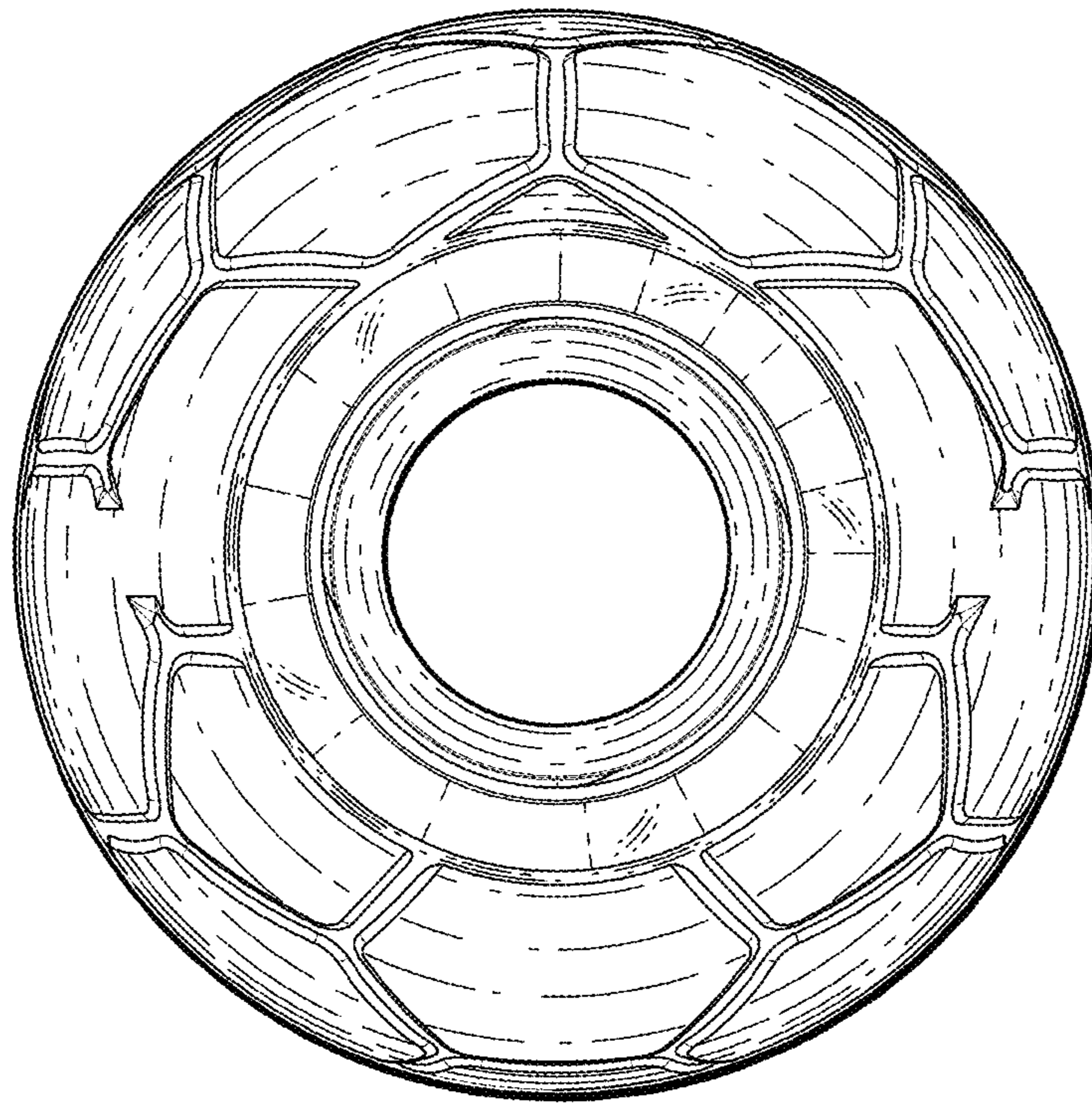


Fig. 11

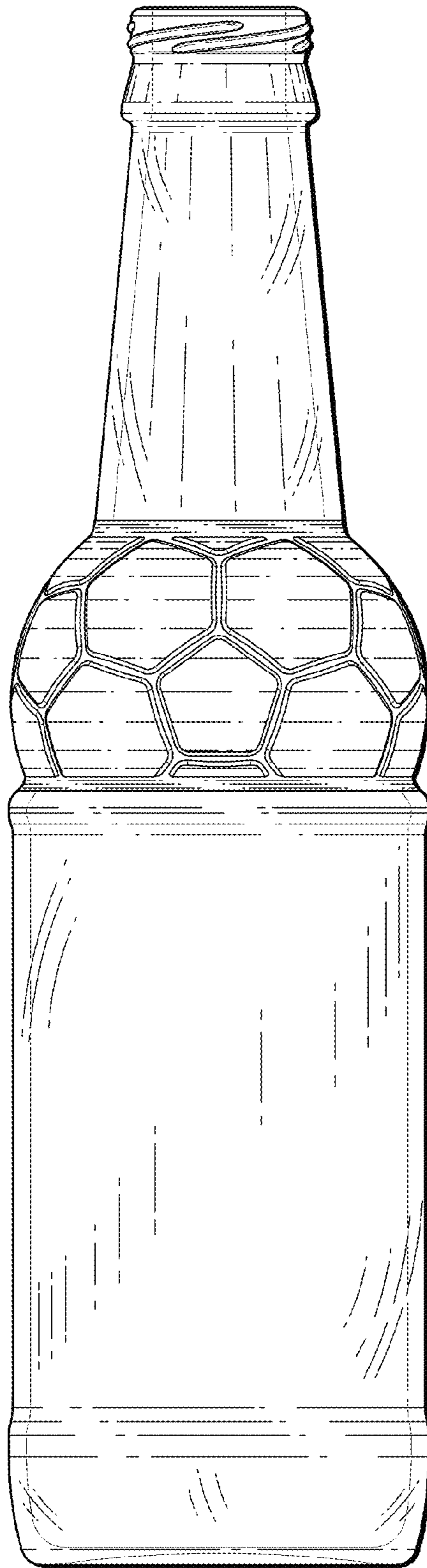


Fig. 12