



US00D691895S

(12) **United States Design Patent**
Escobar et al.

(10) **Patent No.:** **US D691,895 S**

(45) **Date of Patent:** **** Oct. 22, 2013**

(54) **FOOD CONTAINER**

(76) Inventors: **Richard J. Escobar**, Newman, CA
(US); **Richard W. Wolfe**, Newman, CA
(US)

(**) Term: **14 Years**

(21) Appl. No.: **29/426,575**

(22) Filed: **Jul. 6, 2012**

(51) **LOC (9) Cl.** **09-01**

(52) **U.S. Cl.**
USPC **D9/668**; D9/414

(58) **Field of Classification Search**
USPC D9/600, 668, 761, 414; 206/457, 527;
215/400; 220/890; D2/741; D29/115;
D7/691; 229/116.1

See application file for complete search history.

(56) **References Cited**

U.S. PATENT DOCUMENTS

D257,526 S	11/1980	Herbst
4,252,264 A	2/1981	Herbst
D271,942 S	12/1983	Goldman
4,729,477 A	3/1988	Growney
D295,133 S	4/1988	Jones
D303,499 S	9/1989	Cueva
D306,975 S	4/1990	Brondyke
D314,887 S	2/1991	Tomaras

5,540,333 A	7/1996	Gonzalez	
5,605,279 A *	2/1997	Adamek	229/116.1
D430,795 S	9/2000	Stier	
6,209,780 B1 *	4/2001	Jensen	229/116.1
6,410,065 B1	6/2002	Nottingham	
D510,520 S	10/2005	Butler	
D526,447 S *	8/2006	Chan	D29/115
D560,104 S	1/2008	Schomaker	
D648,627 S *	11/2011	Azar	D9/668
D671,713 S *	12/2012	McGee	D2/741

* cited by examiner

Primary Examiner — Sandra Morris

(74) *Attorney, Agent, or Firm* — QuickPatents; Kevin Prince

(57) **CLAIM**

We claim the ornamental design for a food container, as shown and described.

DESCRIPTION

FIG. 1 is a perspective view of a food container, showing our new design;

FIG. 2 is a bottom perspective view thereof;

FIG. 3 is a front elevational view thereof;

FIG. 4 is a rear elevational view thereof;

FIG. 5 is a right-side elevational view thereof;

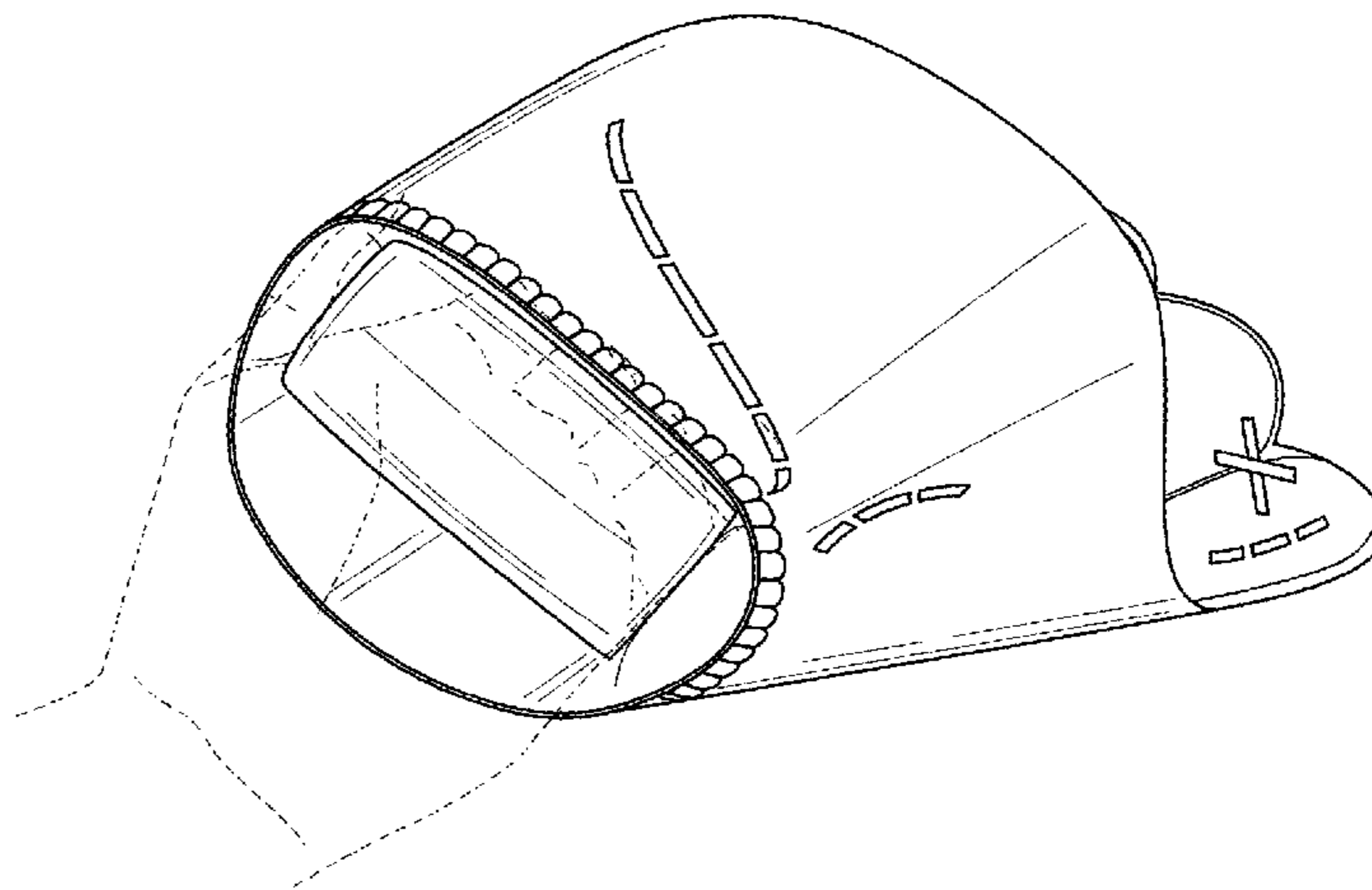
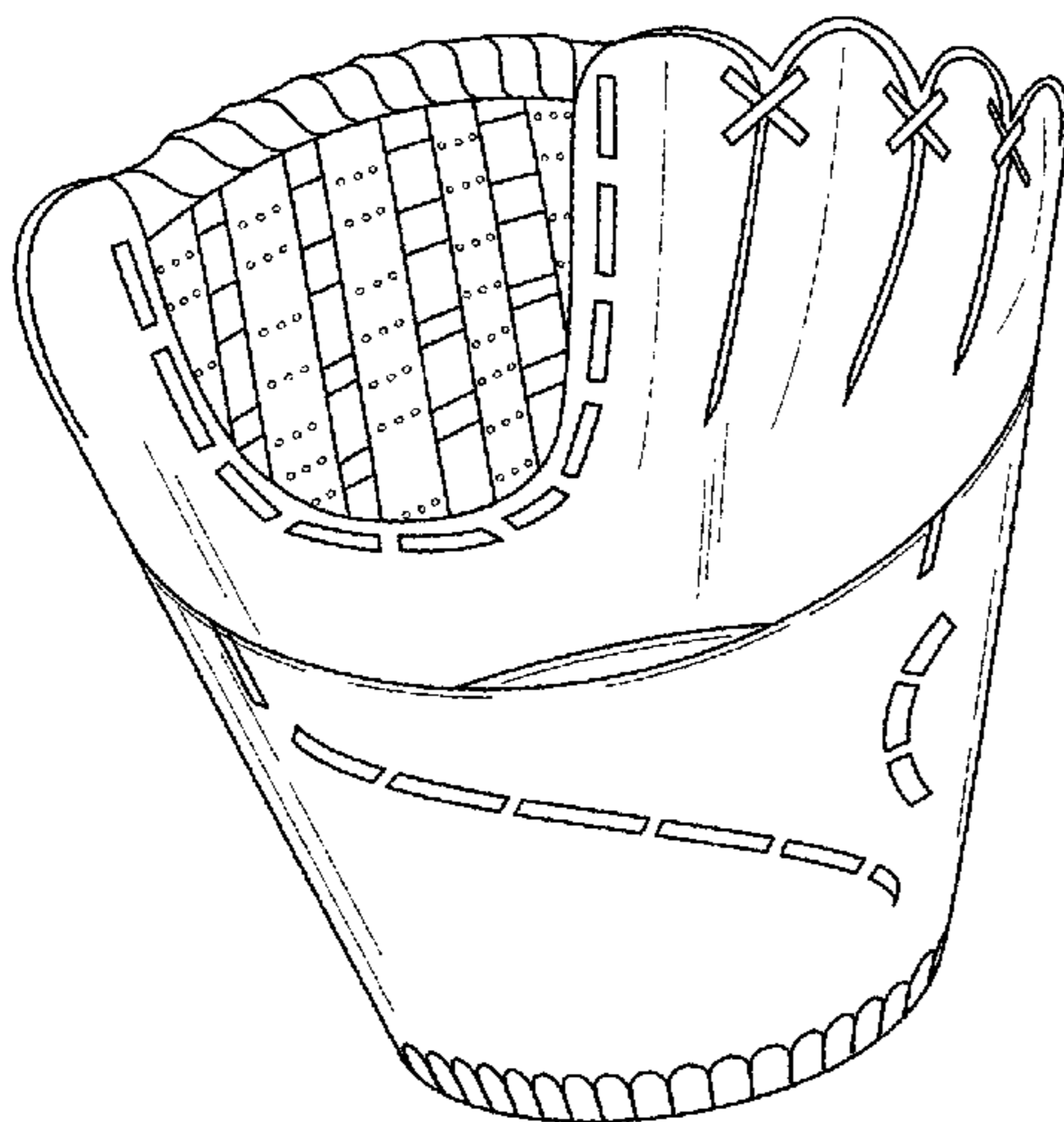
FIG. 6 is a left-side elevational view thereof;

FIG. 7 is a top plan view thereof; and,

FIG. 8 is a bottom plan view thereof.

The broken lines showing a hand grasping the bottom of the food container in FIG. 2 depict environmental matter and form no part of the claimed design.

1 Claim, 3 Drawing Sheets



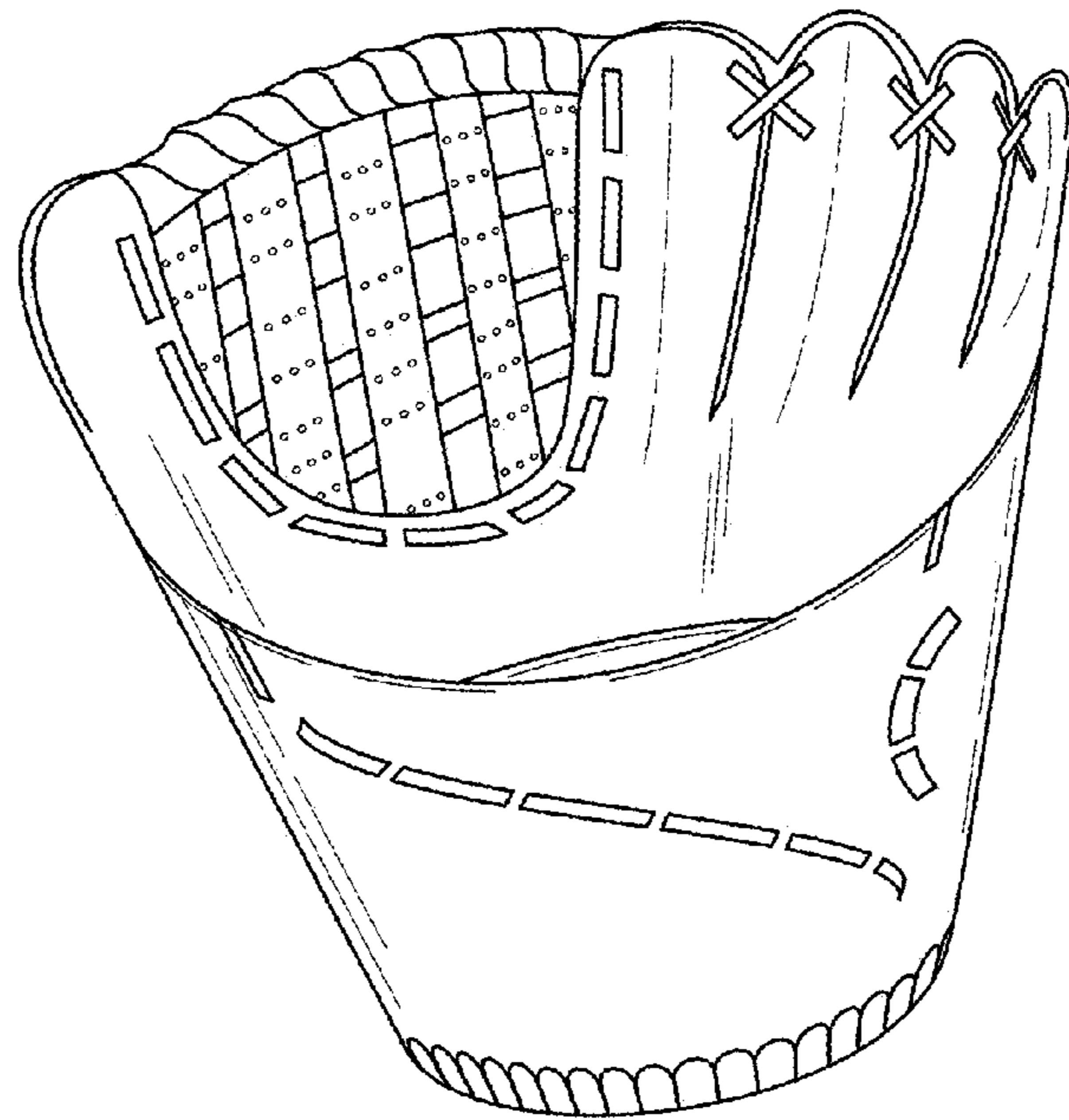


FIG. 1

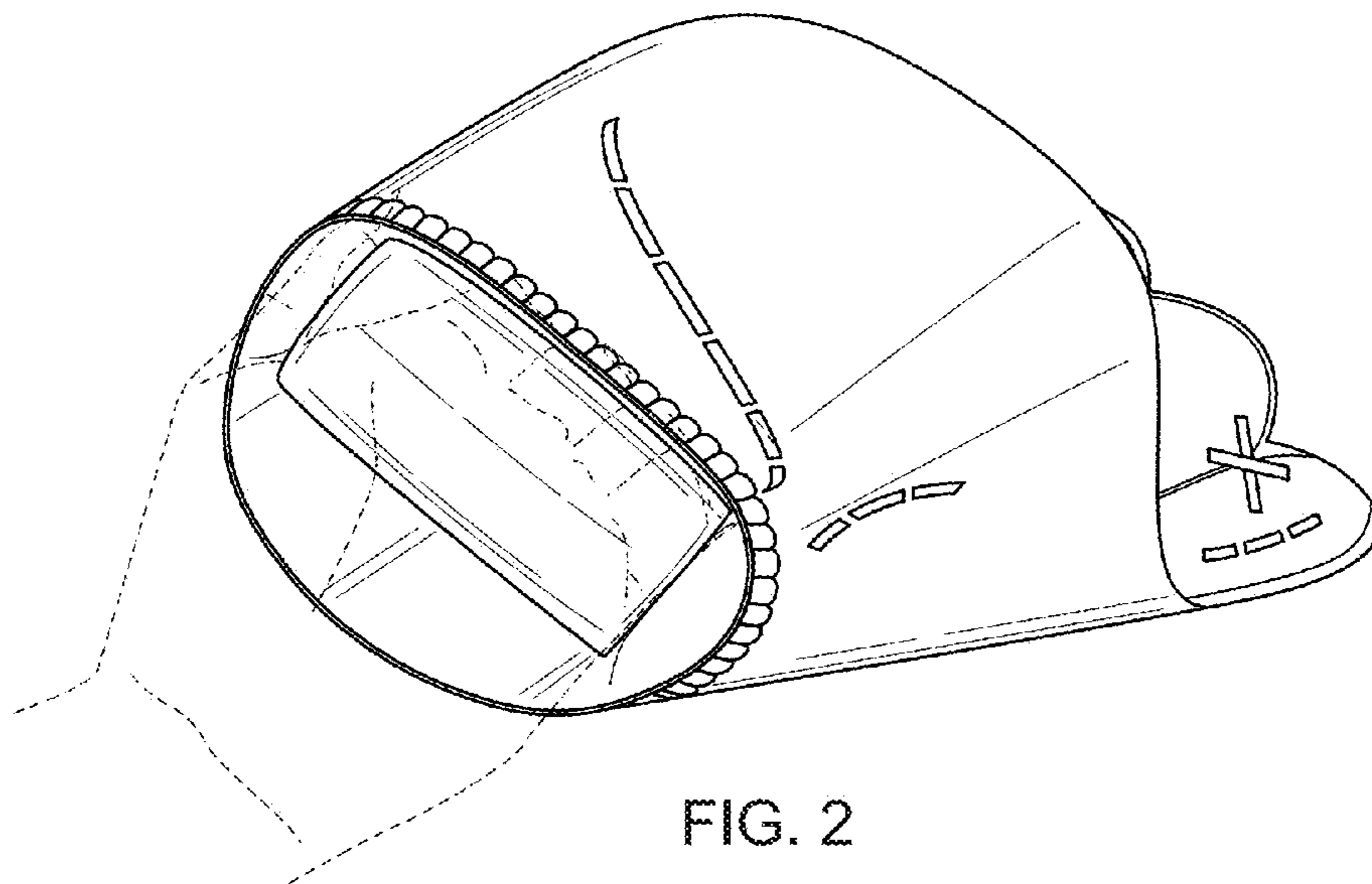


FIG. 2

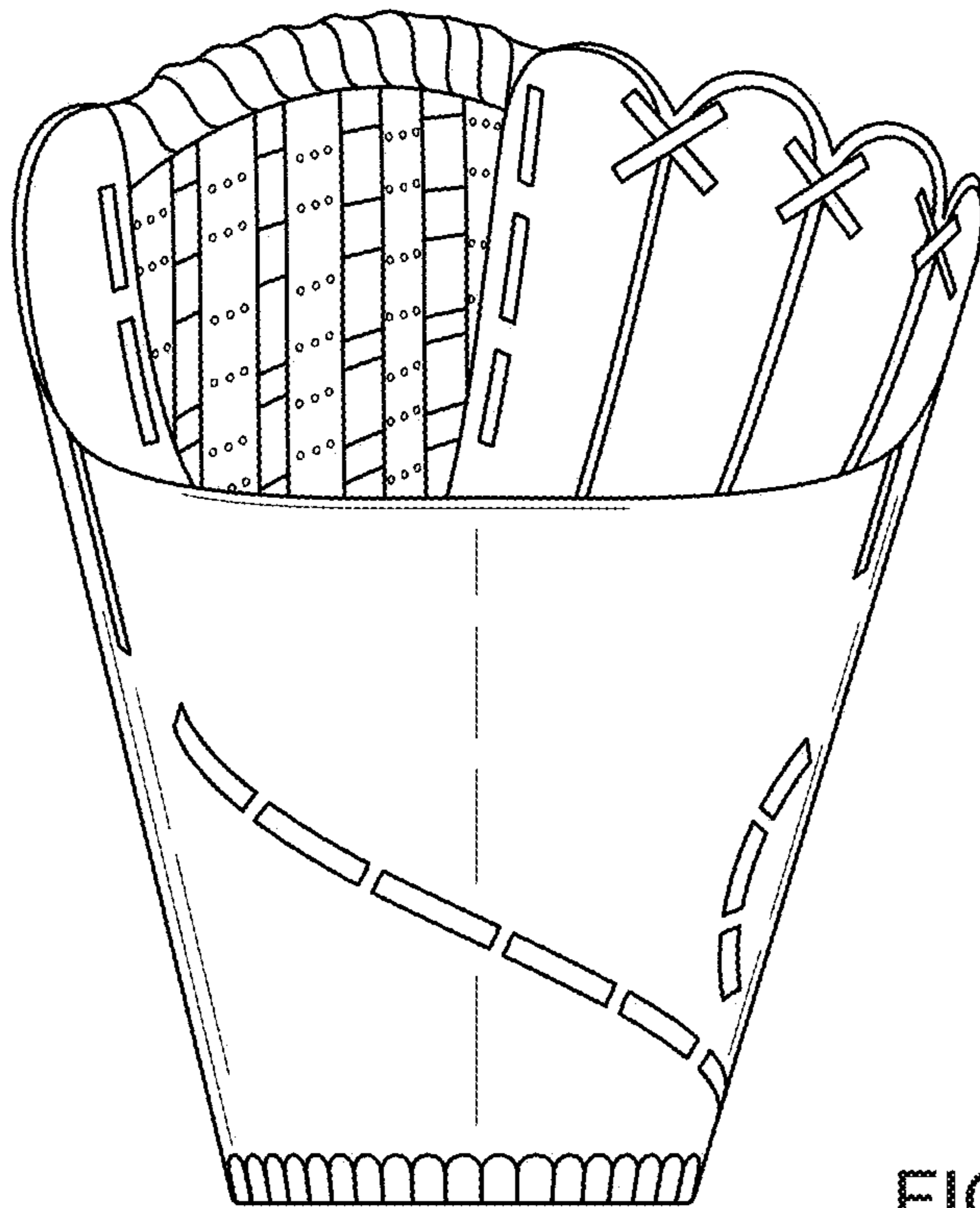


FIG. 3

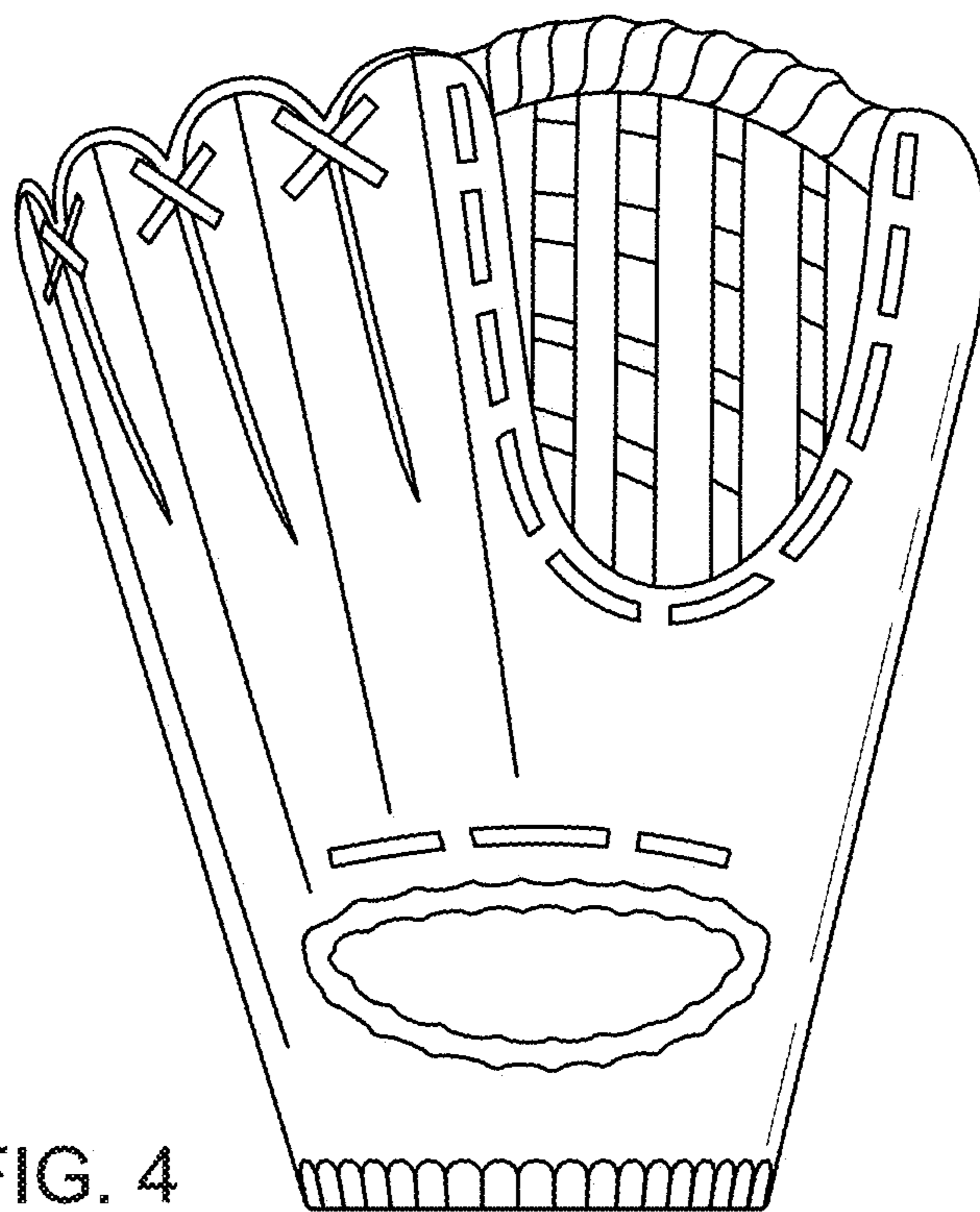


FIG. 4

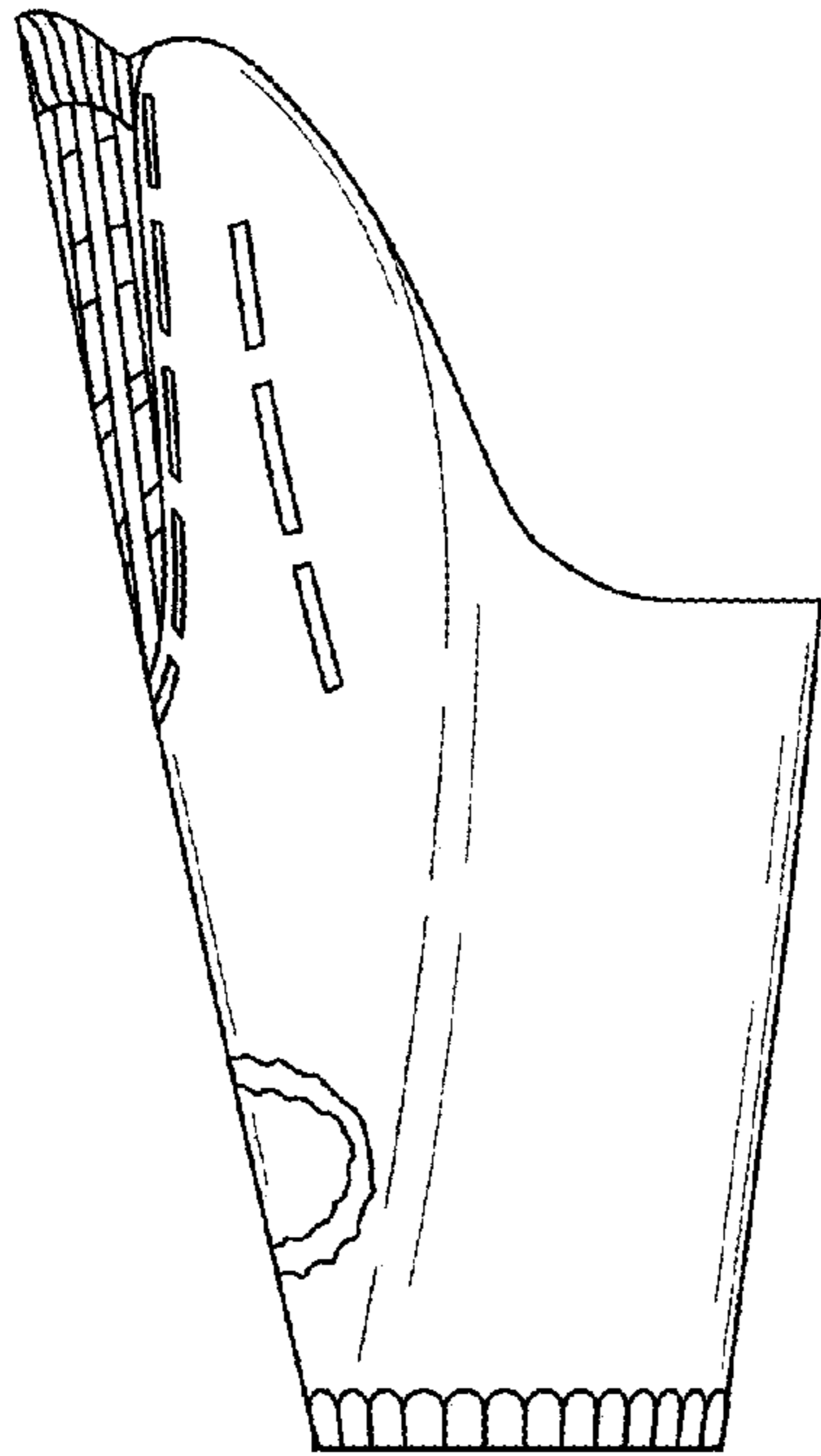


FIG. 5

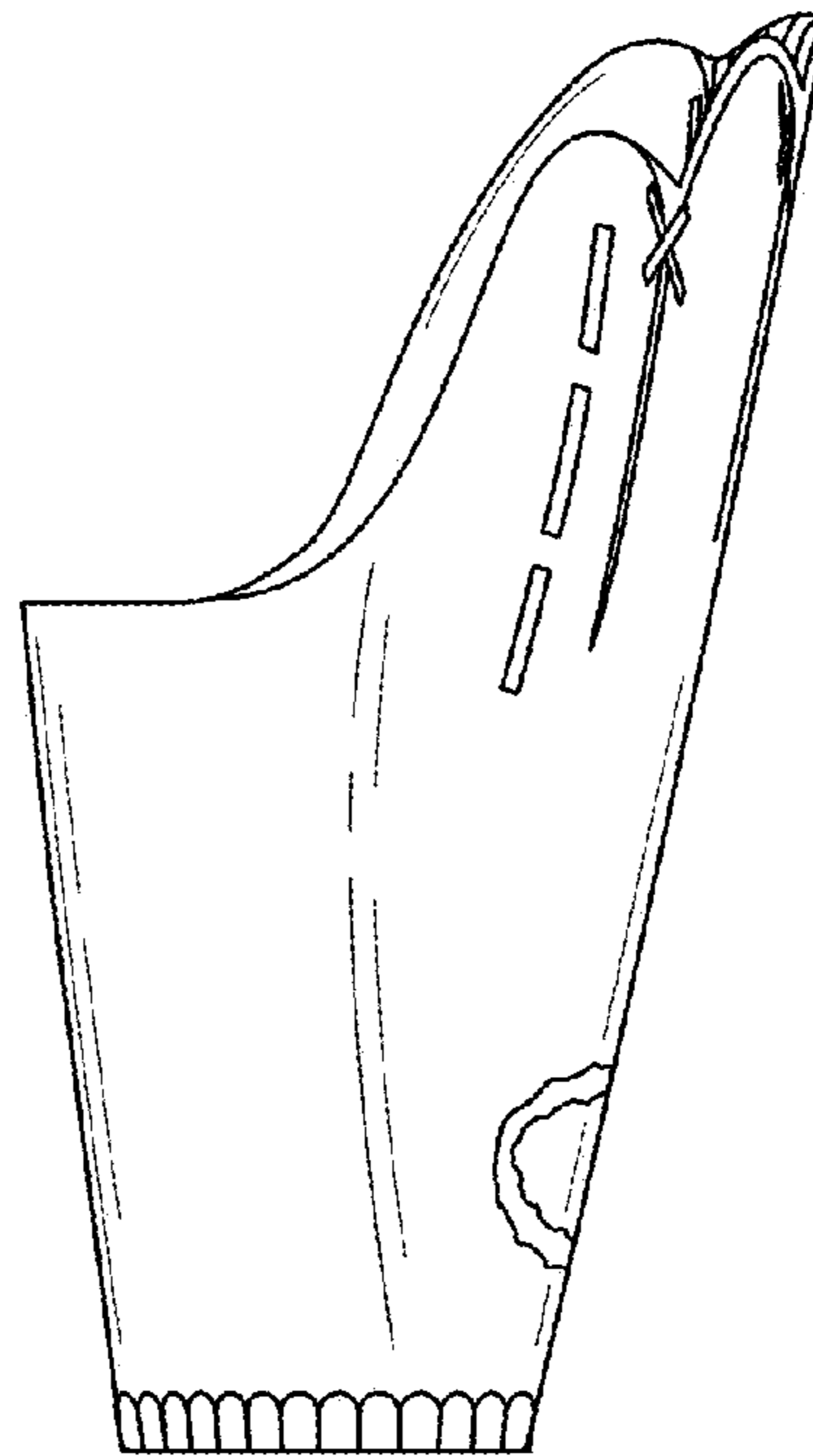


FIG. 6

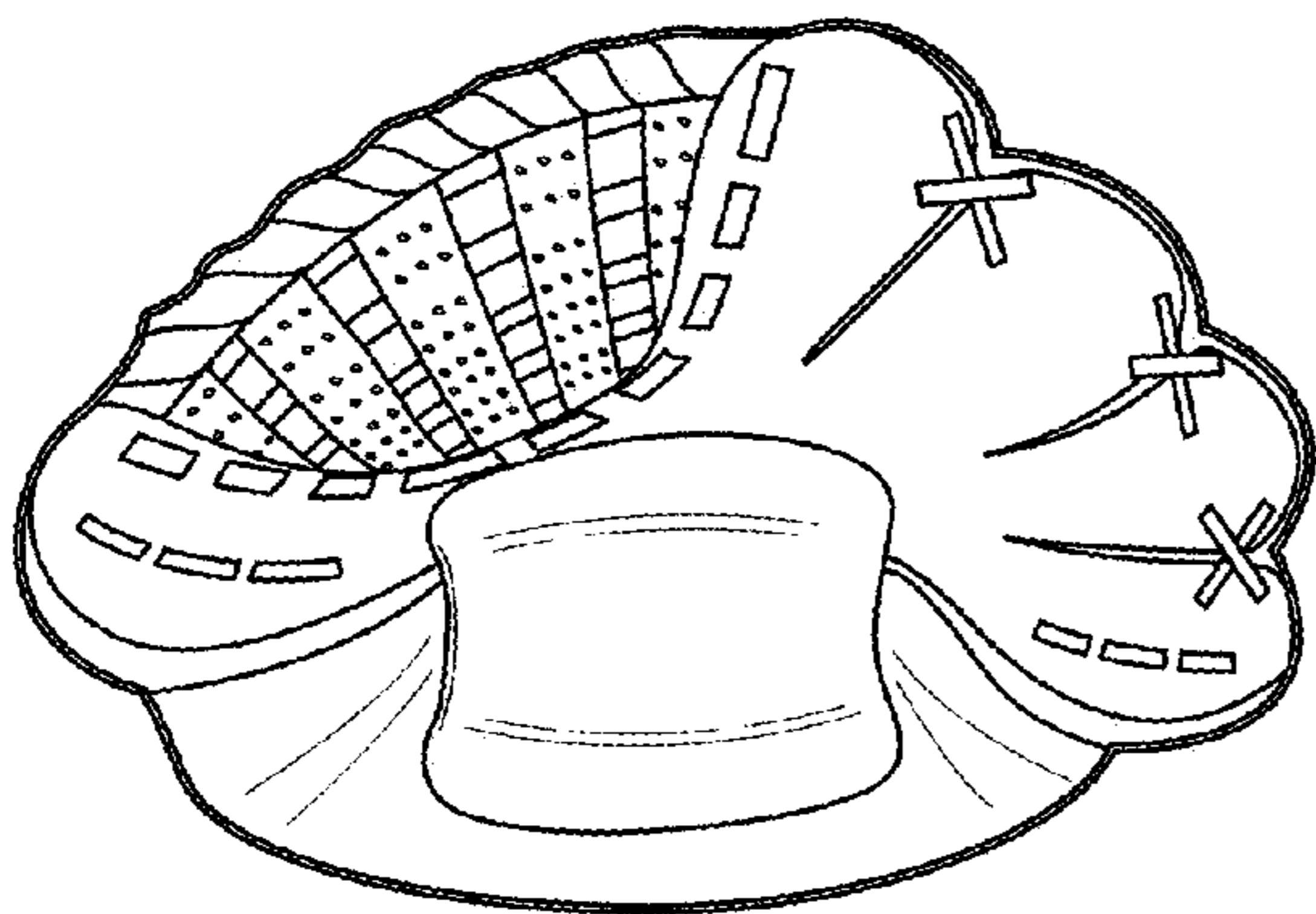


FIG. 7

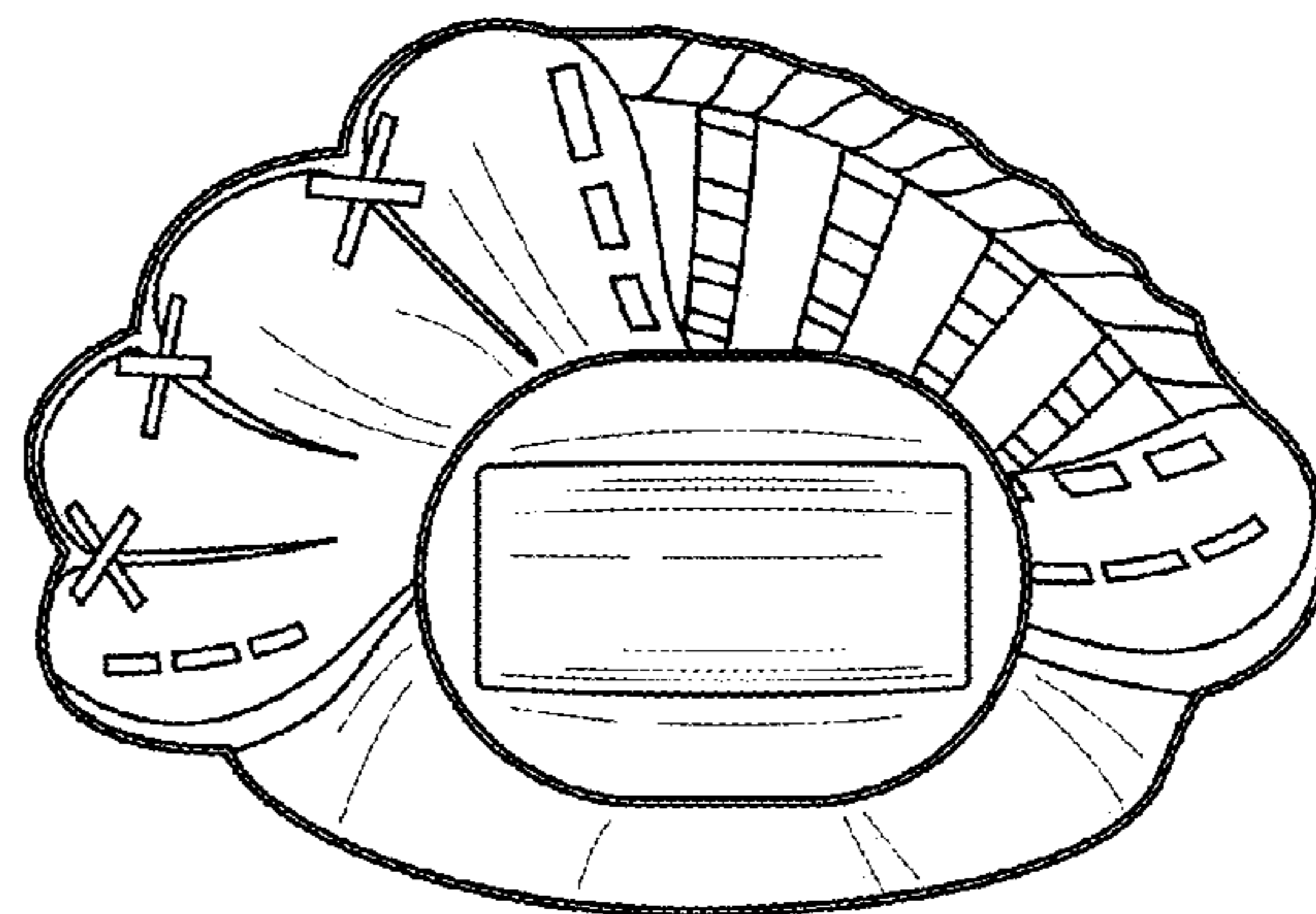


FIG. 8