

US00D691891S

(12) **United States Design Patent**  
**Joy**

(10) **Patent No.:** **US D691,891 S**  
(45) **Date of Patent:** **\*\* Oct. 22, 2013**

(54) **FOOD CONTAINER**

(71) Applicant: **LifeFactory, Inc.**, Sausalito, CA (US)

(72) Inventor: **Daren Joy**, Sausalito, CA (US)

(73) Assignee: **LifeFactory, Inc.**, Sausalito, CA (US)

(\*\*) Term: **14 Years**

(21) Appl. No.: **29/447,811**

(22) Filed: **Mar. 7, 2013**

(51) **LOC (9) Cl.** ..... **07-07**

(52) **U.S. Cl.**  
USPC ..... **D9/629**

(58) **Field of Classification Search**  
USPC ..... D7/601, 602, 629, 630, 538-542;  
220/780-806, 574-575, 675, 573.1,  
220/660, 260, 288, 326, 236, 4.21, 23.83,  
220/23.4, 4.24, 4.27, 669-673; D3/273,  
D3/274, 201, 203.1-203.8; D9/424-432  
See application file for complete search history.

(56) **References Cited**

**U.S. PATENT DOCUMENTS**

D112,782 S *	1/1939	McIntosh	.....	D9/564
4,412,630 A *	11/1983	Daenen	.....	220/792
6,305,546 B1 *	10/2001	Saunders et al.	.....	206/541
D450,983 S *	11/2001	Tucker et al.	.....	D7/629
D462,880 S *	9/2002	Maxwell et al.	.....	D7/629
D505,839 S *	6/2005	Stanos et al.	.....	D7/629

D551,515 S *	9/2007	Ablo et al.	.....	D7/629
D568,693 S *	5/2008	Furlong	.....	D7/629
D572,087 S *	7/2008	Kim	.....	D7/629
D621,667 S *	8/2010	Ablo	.....	D7/629
2009/0057257 A1	3/2009	Marcus et al.		

\* cited by examiner

*Primary Examiner* — Terry Wallace

(74) *Attorney, Agent, or Firm* — The Mueller Law Office, P.C.

(57) **CLAIM**

The ornamental design for a food container, as shown and described.

**DESCRIPTION**

FIG. 1 shows a perspective view of a design for a food container.

FIG. 2 shows a front view of the design.

FIG. 3 shows a back view of the design.

FIG. 4 shows a left side view of the design.

FIG. 5 shows a right side view of the design.

FIG. 6 shows a top view of the design.

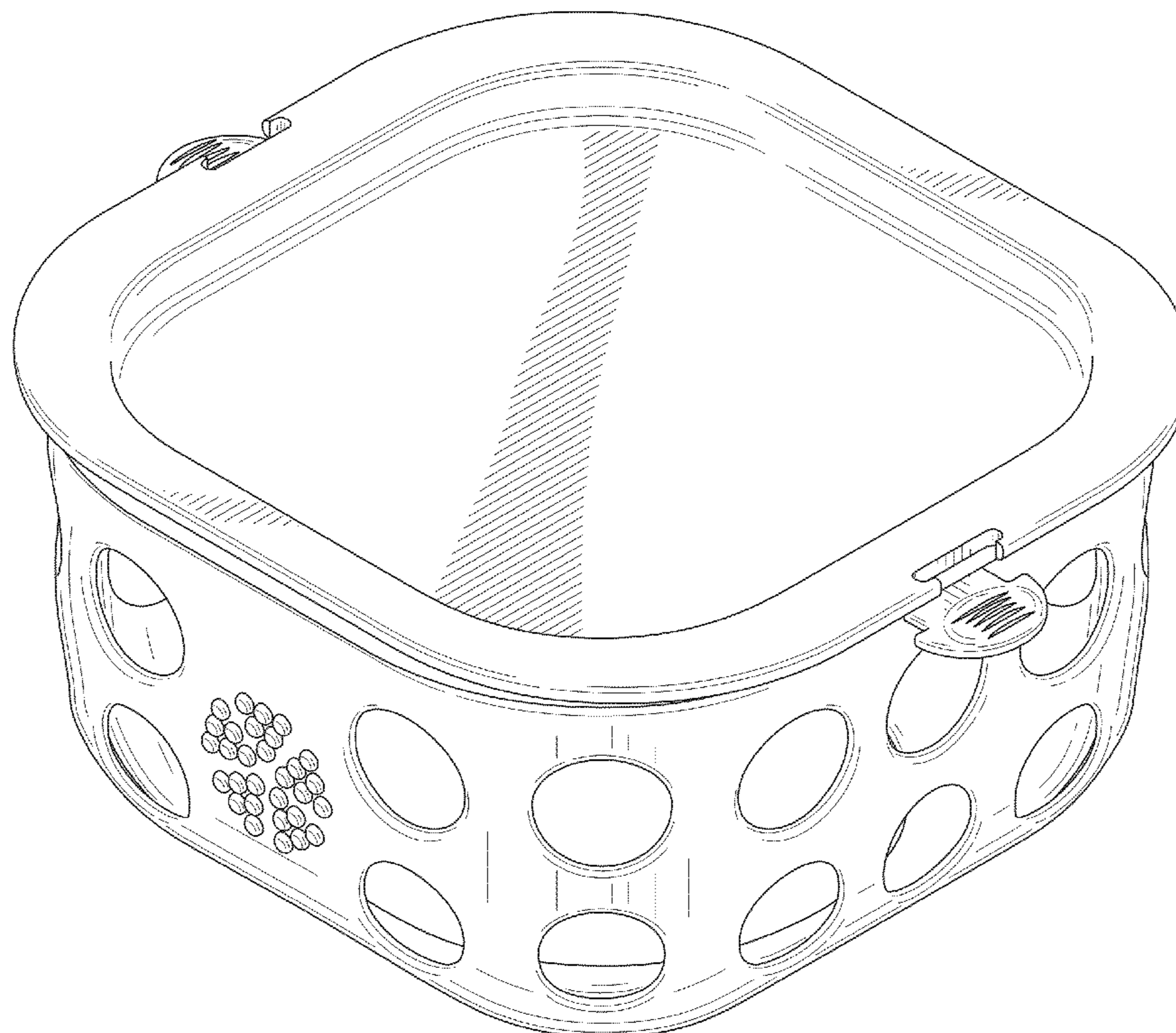
FIG. 7 shows a bottom view of the design.

FIG. 8 shows a perspective view of the design with the lid sealed.

FIG. 9 shows a left side of the design with the lid sealed; and,

FIG. 10 shows a right side of the design with the lid sealed.

**1 Claim, 10 Drawing Sheets**



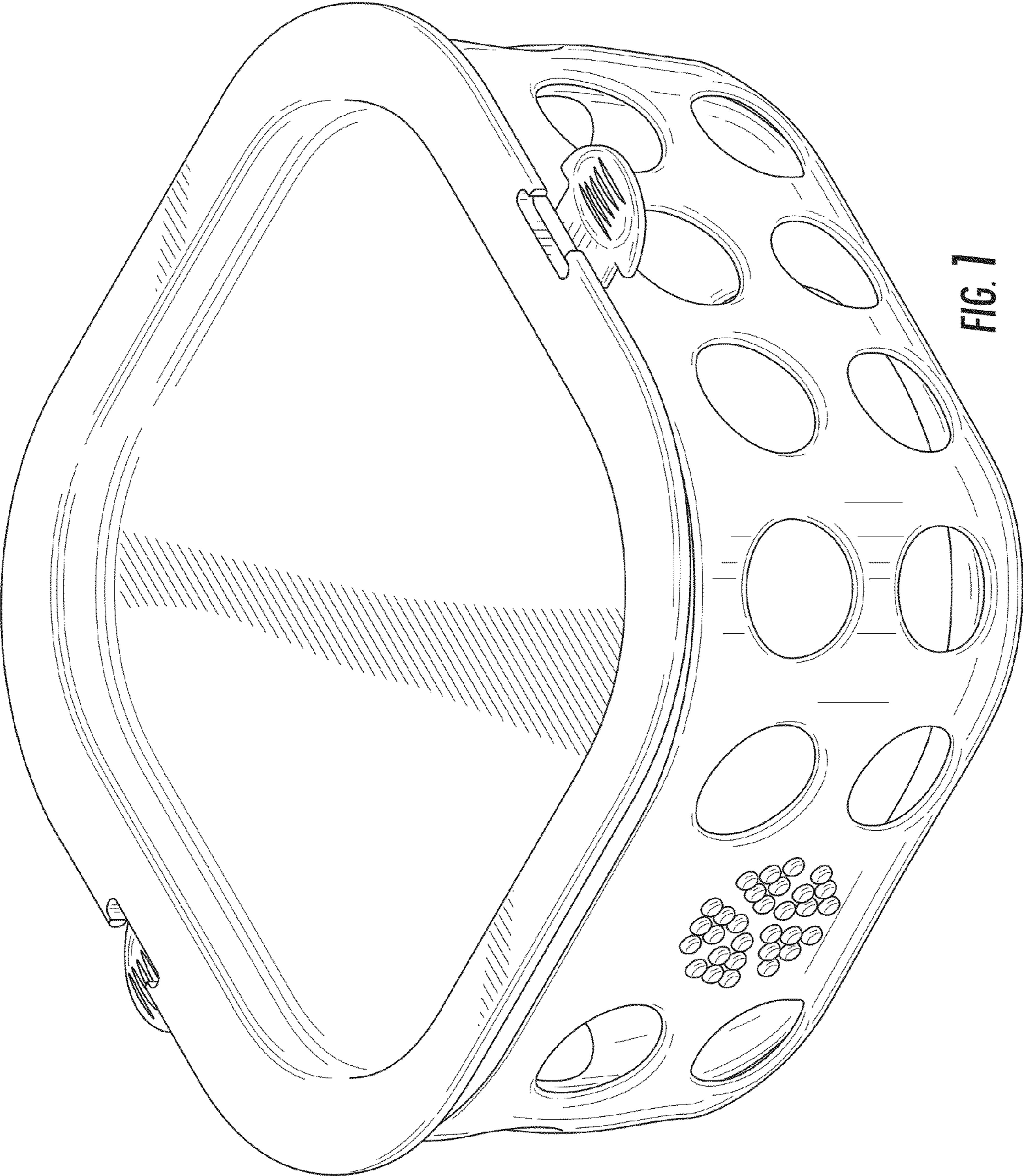


FIG. 7

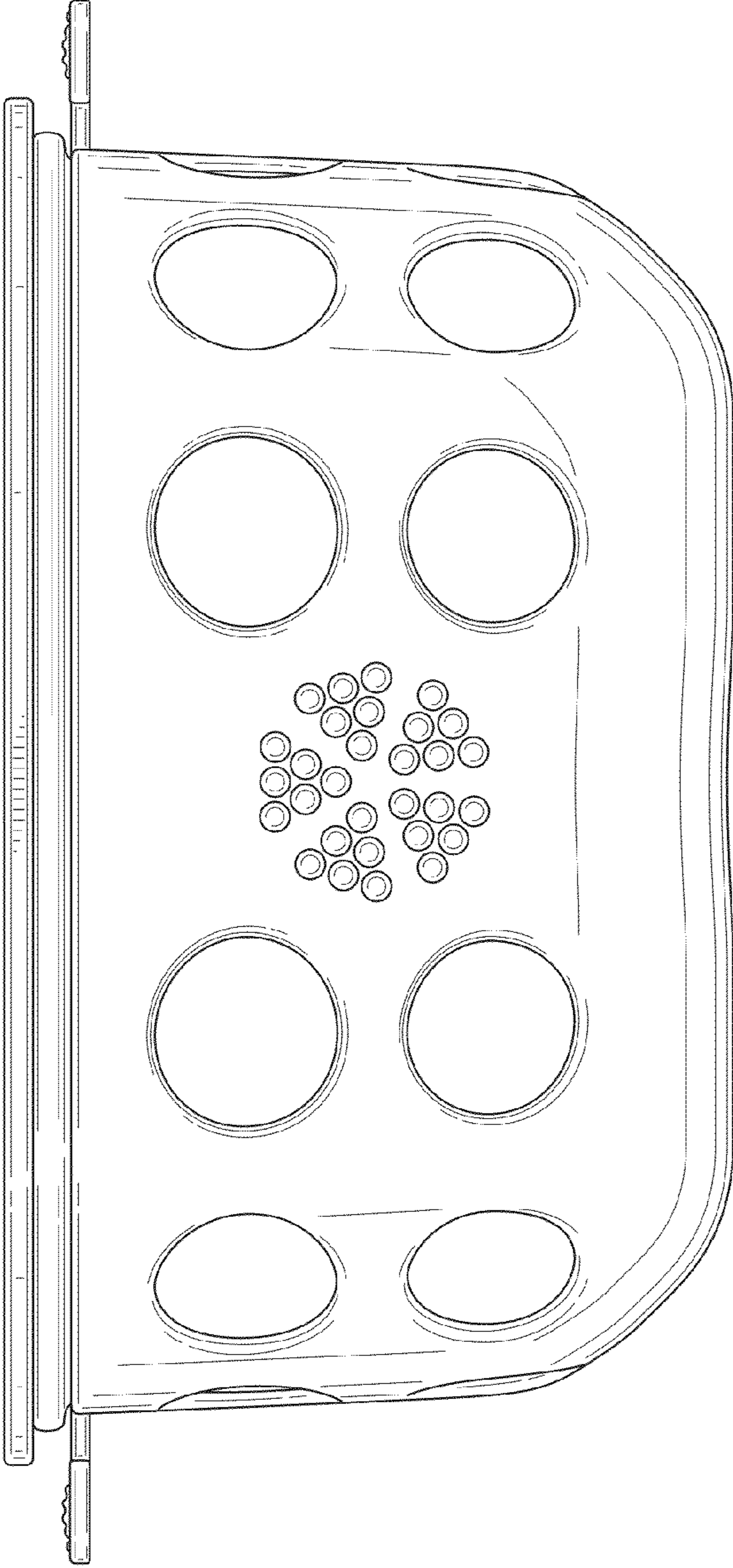


FIG. 2

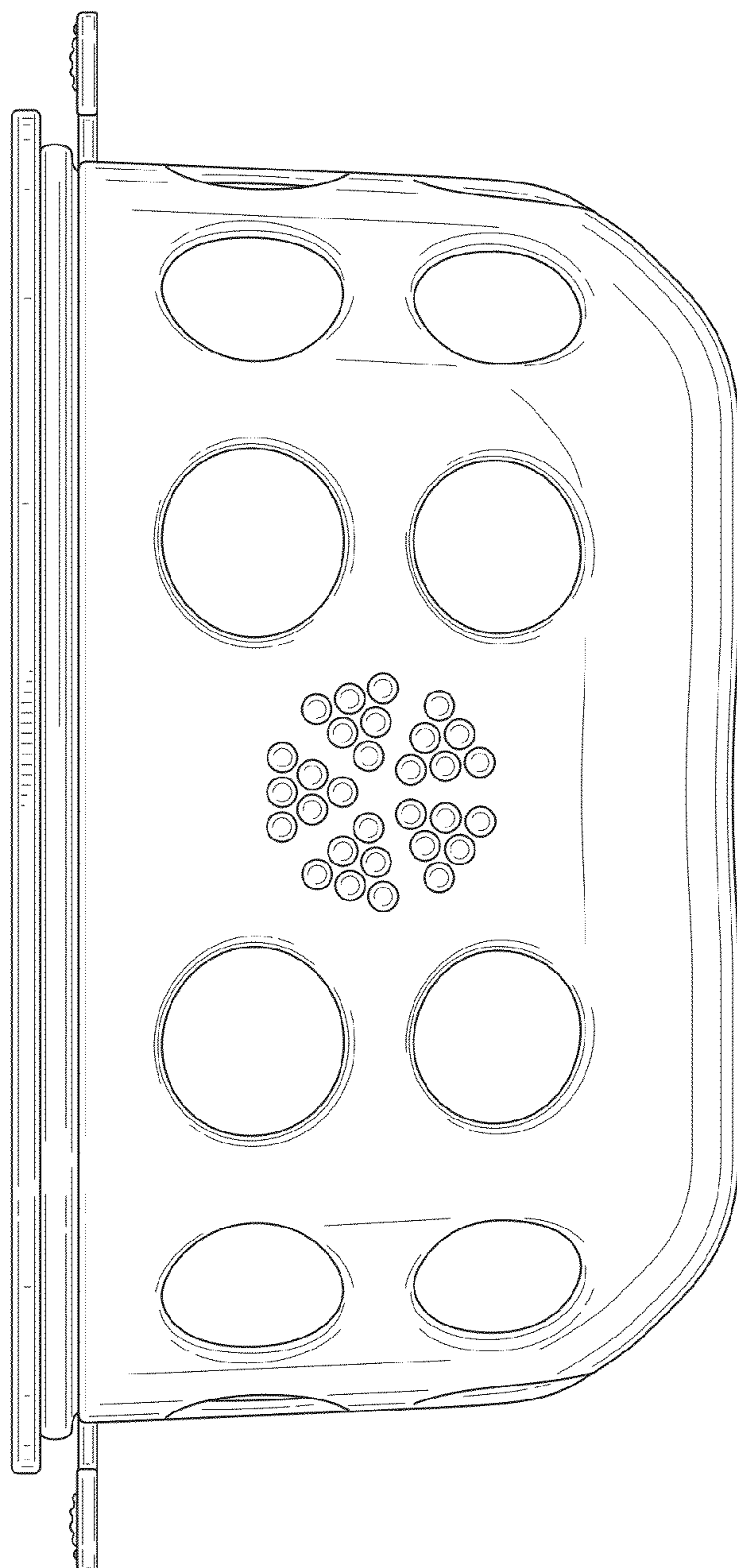


FIG. 3

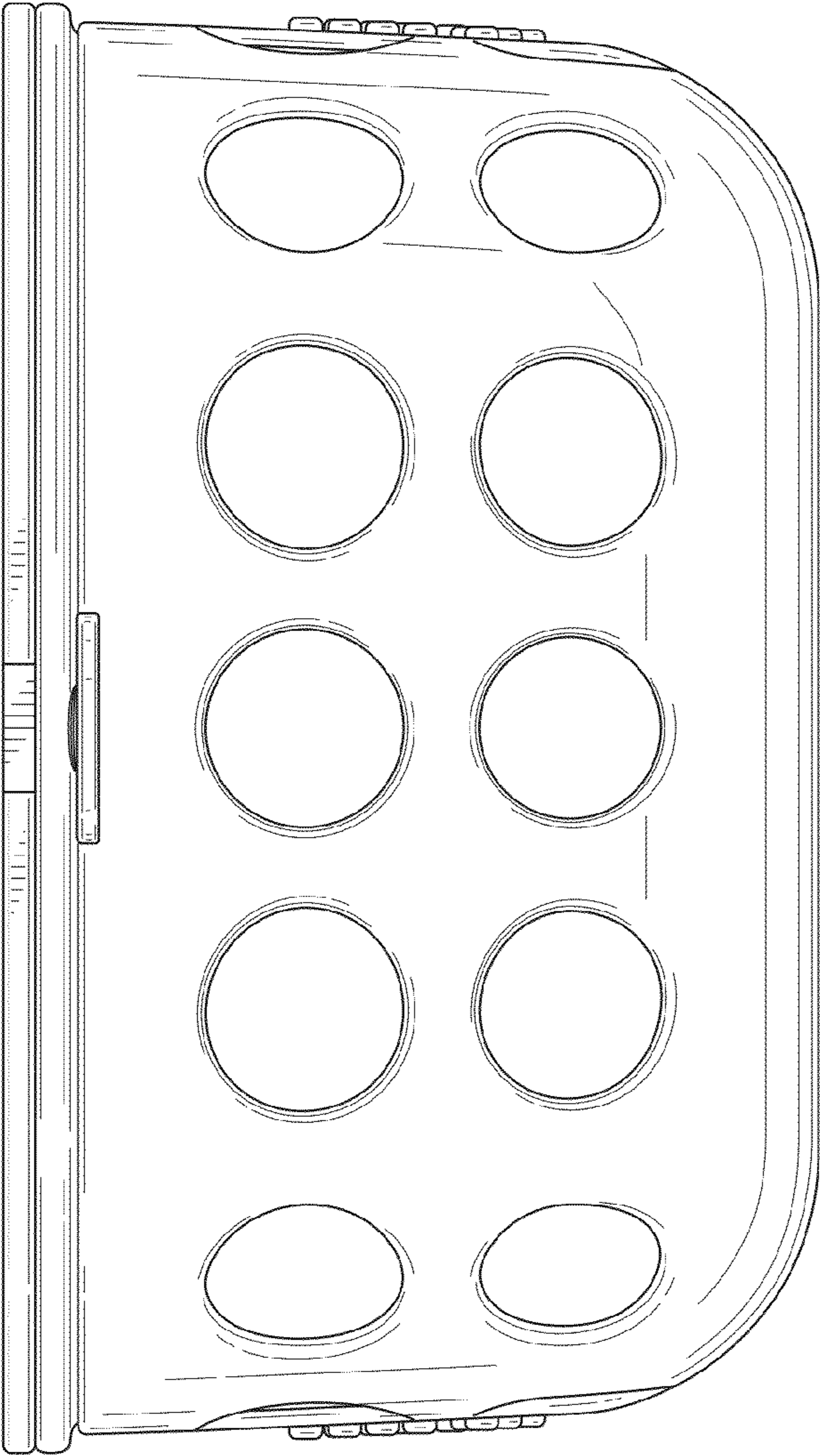


FIG. 4

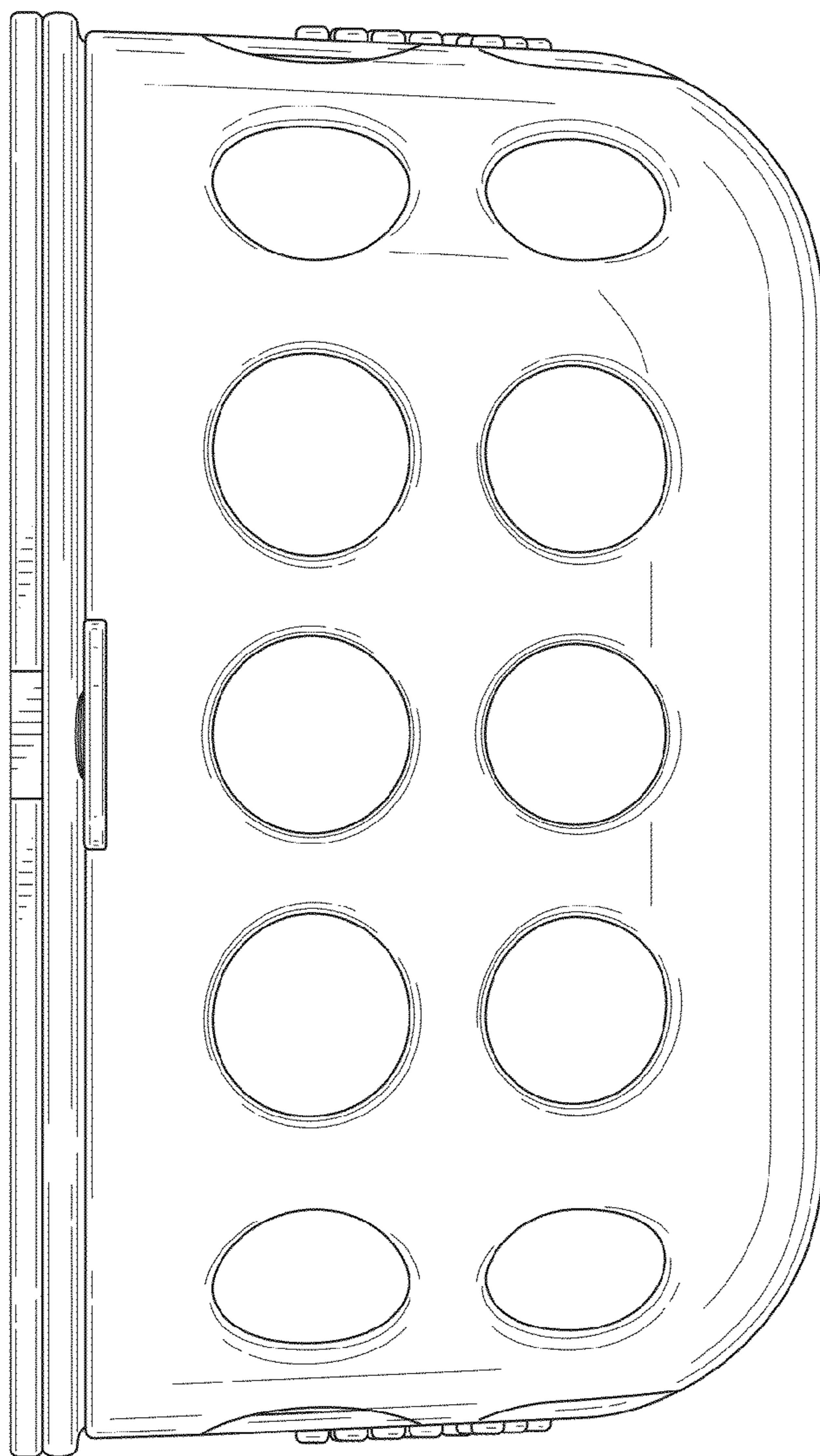


FIG. 5

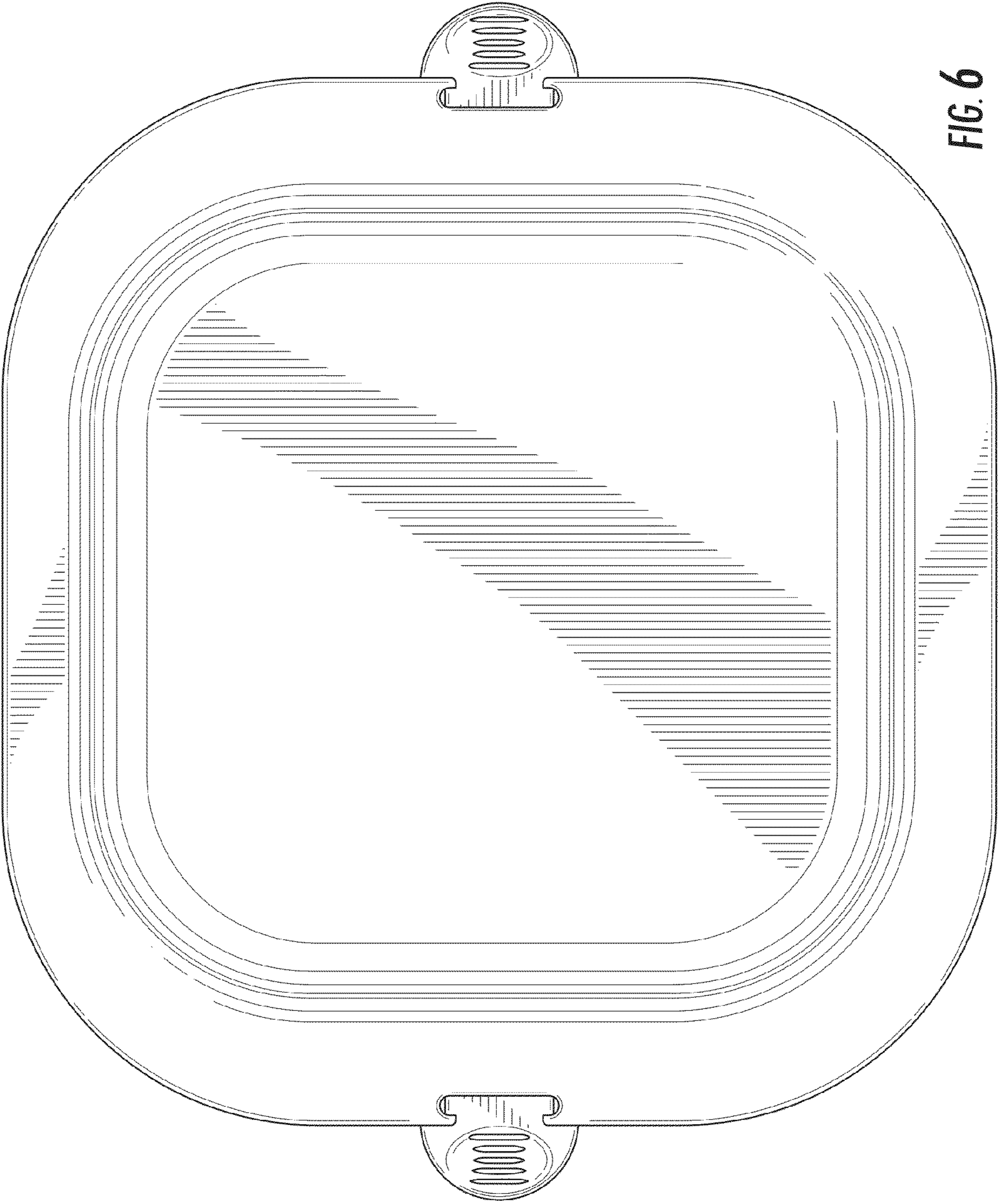


FIG. 6

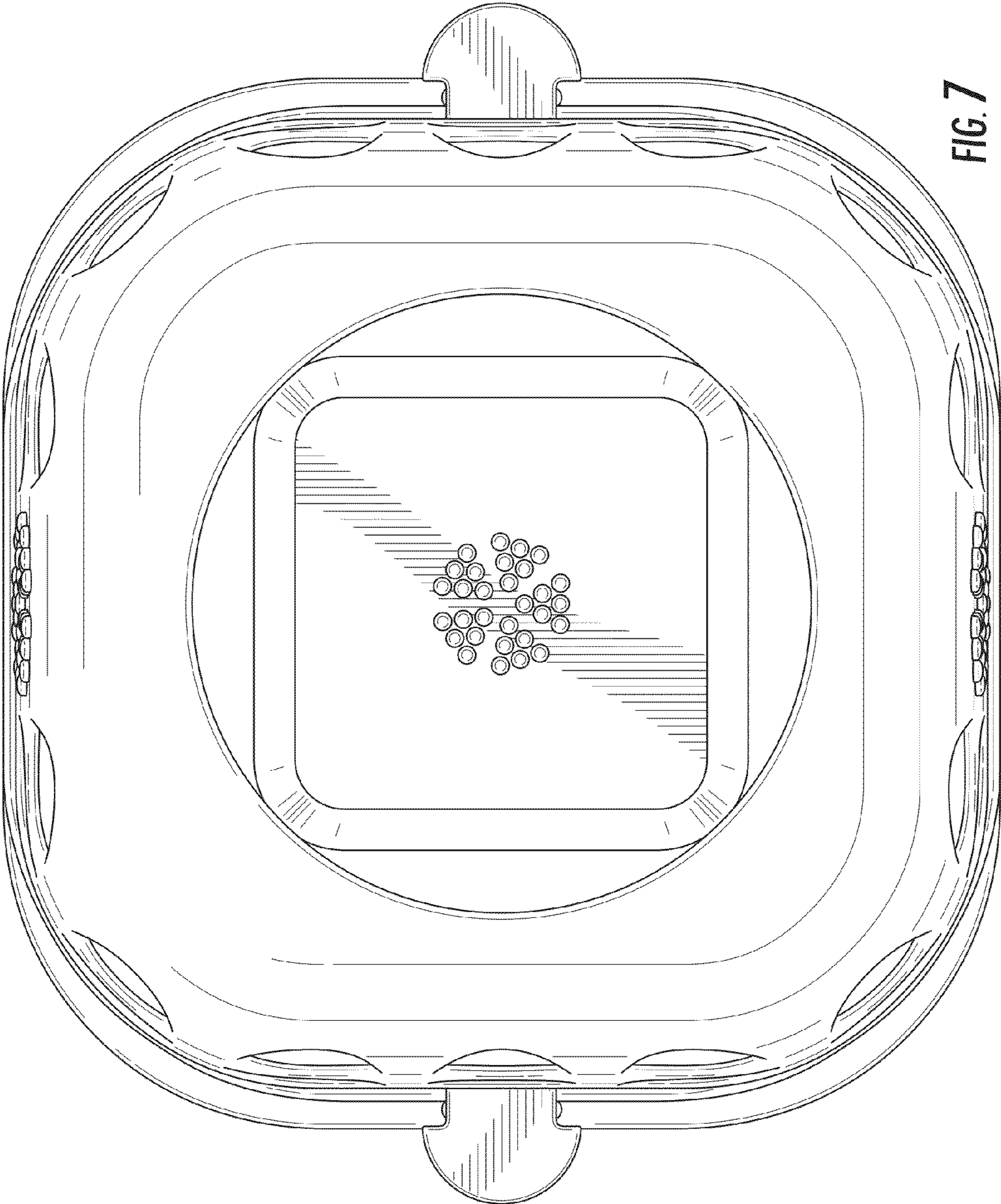


FIG. 7



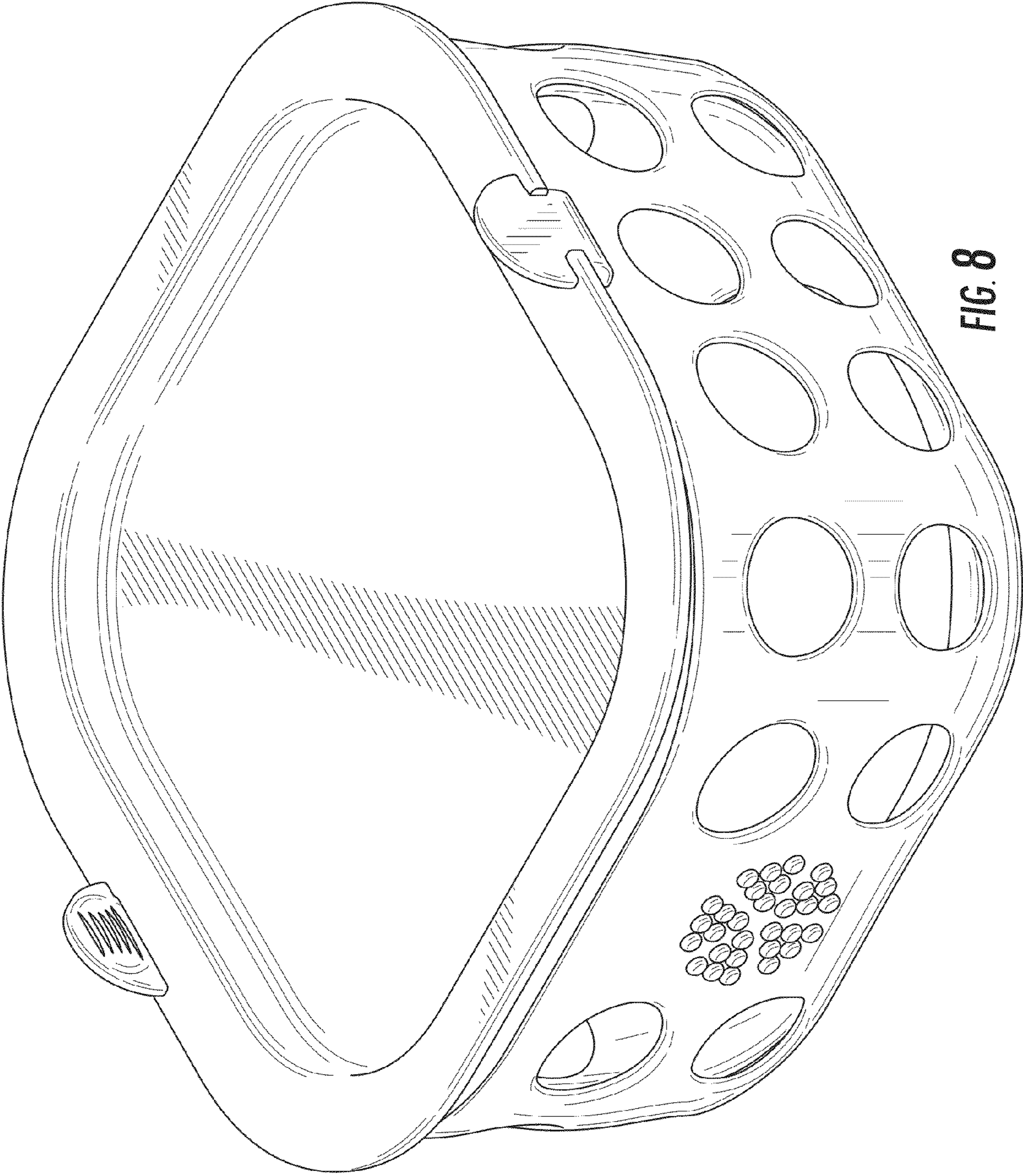


FIG. 8

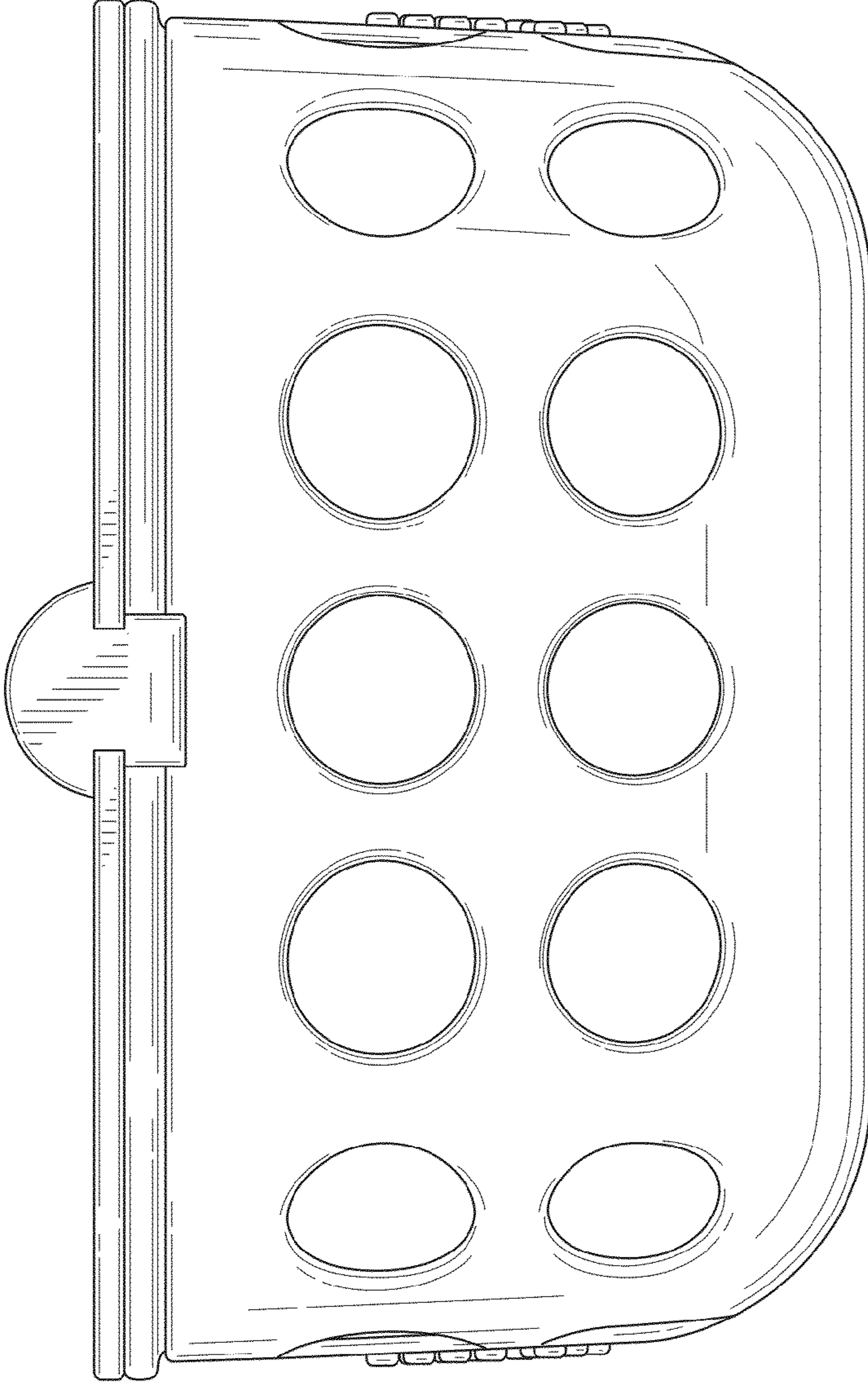


FIG. 9

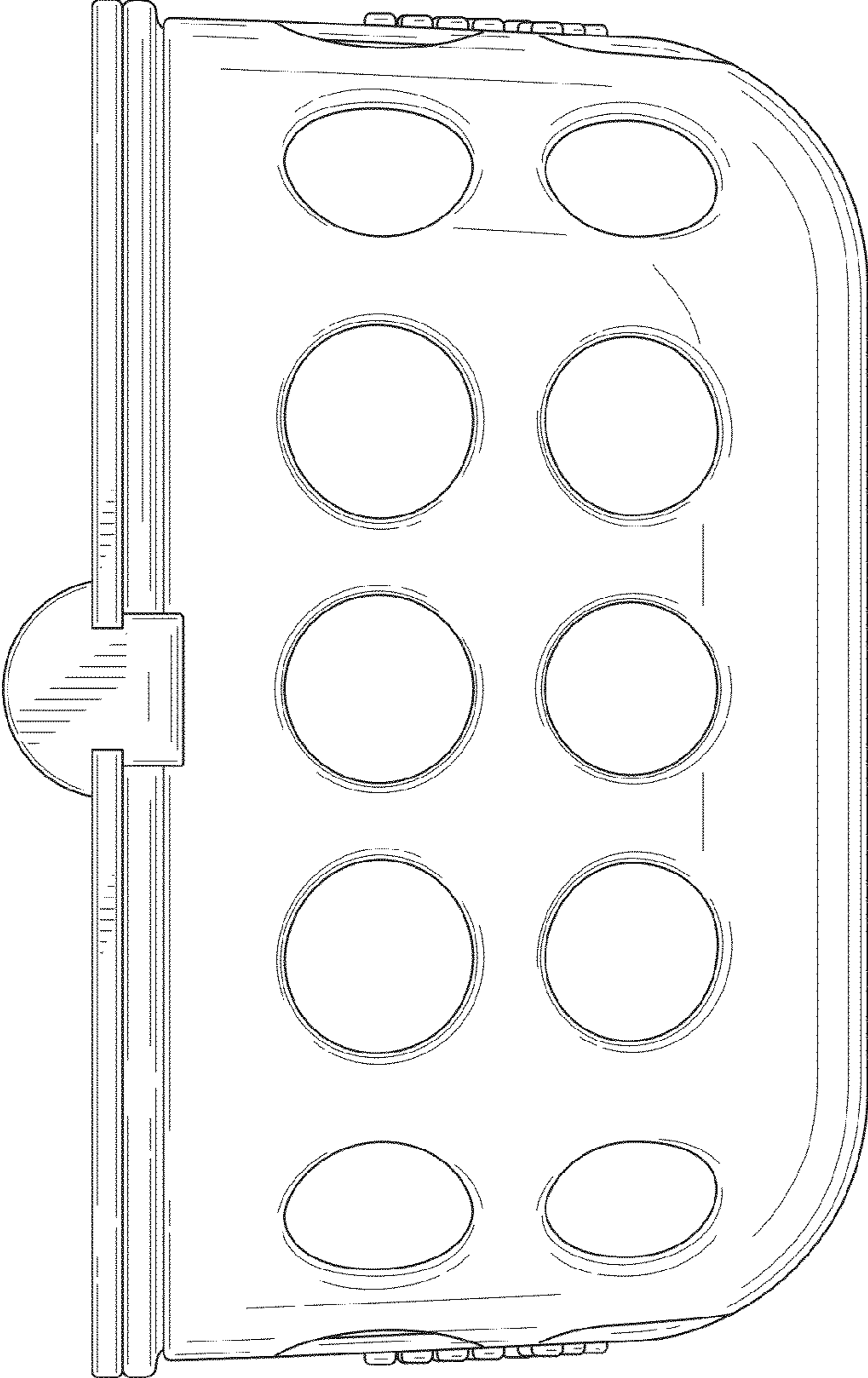


FIG. 10