



US00D691889S

(12) **United States Design Patent**  
**Mettler et al.**

(10) **Patent No.:** **US D691,889 S**

(45) **Date of Patent:** **\*\* Oct. 22, 2013**

(54) **CONTAINER FOR A PERSONAL CARE PRODUCT**

(75) Inventors: **Mark F. Mettler**, Spring Lake, MI (US);  
**Joe D. Doucet**, New York, NY (US)

(73) Assignee: **Access Business Group International LLC**, Ada, MI (US)

(\*\*) Term: **14 Years**

(21) Appl. No.: **29/406,055**

(22) Filed: **Nov. 9, 2011**

(51) **LOC (9) Cl.** ..... **09-01**

(52) **U.S. Cl.**

USPC ..... **D9/504**; D9/454

(58) **Field of Classification Search**

USPC ..... D9/435, 454, 500, 502-505, 516, 529,  
D9/549, 558, 682, 686, 688-691,  
D9/779-780; D7/509-511, 523, 608;  
D28/4, 76-77; 215/379, 381-382;  
220/660, 669-673, 675

See application file for complete search history.

(56) **References Cited**

**U.S. PATENT DOCUMENTS**

D256,331 S \* 8/1980 Gindek et al. .... D9/549  
D272,722 S \* 2/1984 Haakenson ..... D9/503  
D284,119 S \* 6/1986 Holloway ..... D28/89  
D285,730 S \* 9/1986 Bulwick ..... D28/7  
D495,186 S \* 8/2004 Poupel et al. .... D7/300.1  
D561,594 S \* 2/2008 Condon et al. .... D9/529  
D582,063 S \* 12/2008 Spangler et al. .... D26/9  
D582,580 S \* 12/2008 Spangler et al. .... D26/9  
D614,961 S \* 5/2010 Thomas et al. .... D9/529  
D615,412 S \* 5/2010 Thomas et al. .... D9/529  
D623,949 S \* 9/2010 Throndsen ..... D9/504

D661,192 S \* 6/2012 Hwang ..... D9/504  
D663,630 S \* 7/2012 White et al. .... D9/688  
D665,267 S \* 8/2012 Dittmer et al. .... D9/688  
D671,836 S \* 12/2012 DeMarco ..... D9/503  
D675,100 S \* 1/2013 Herbst ..... D9/504

**FOREIGN PATENT DOCUMENTS**

WO DM/053562 \* 7/2000  
WO DM/061374 \* 8/2002  
WO DM/079027 \* 7/2012

**OTHER PUBLICATIONS**

Product Description: IOPE Plant Stem Cell Skin Renewal Emulsion  
by Amore, dated Jan. 1, 2011, <http://www.joseibi.com>.

Product Description: IOPE Plant Stem Cell Skin Renewal Softener  
by Amore, dated Jan. 1, 2011, <http://www.joseibi.com>.

\* cited by examiner

*Primary Examiner* — Ian Simmons

*Assistant Examiner* — Dana L Meyrow

(74) *Attorney, Agent, or Firm* — Warner Norcross & Judd  
LLP

(57) **CLAIM**

We claim the ornamental design for a container for a personal  
care product, as shown and described.

**DESCRIPTION**

FIG. 1 is a top perspective view of a container for a personal  
care product according to our new design;

FIG. 2 is a right side view, the left side being a mirror image  
thereof;

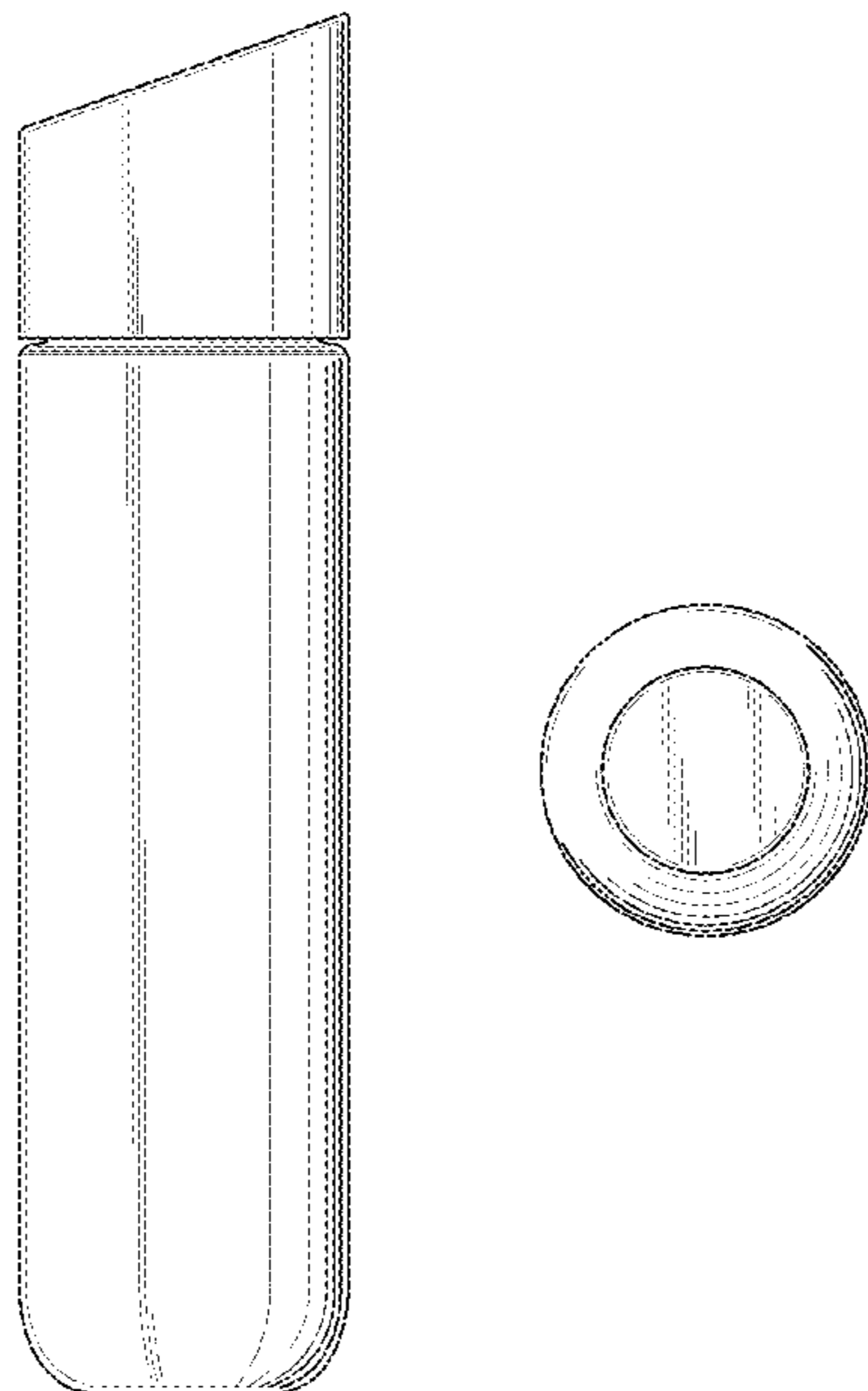
FIG. 3 is a rear view thereof;

FIG. 4 is a front view thereof;

FIG. 5 is a top view thereof; and,

FIG. 6 is a bottom view thereof.

**1 Claim, 2 Drawing Sheets**



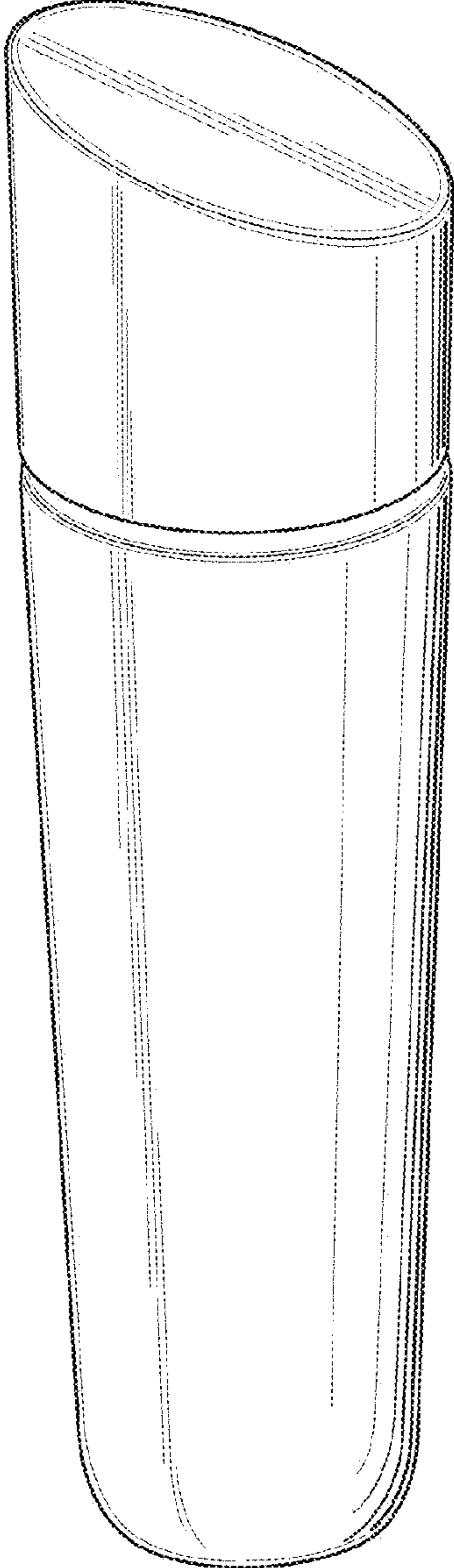


Fig. 1

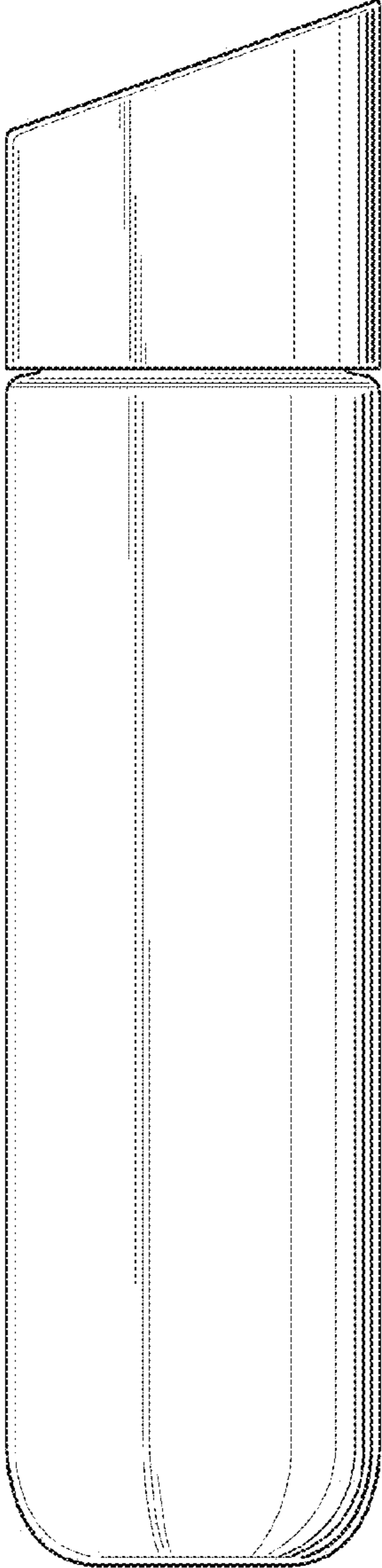


Fig. 2

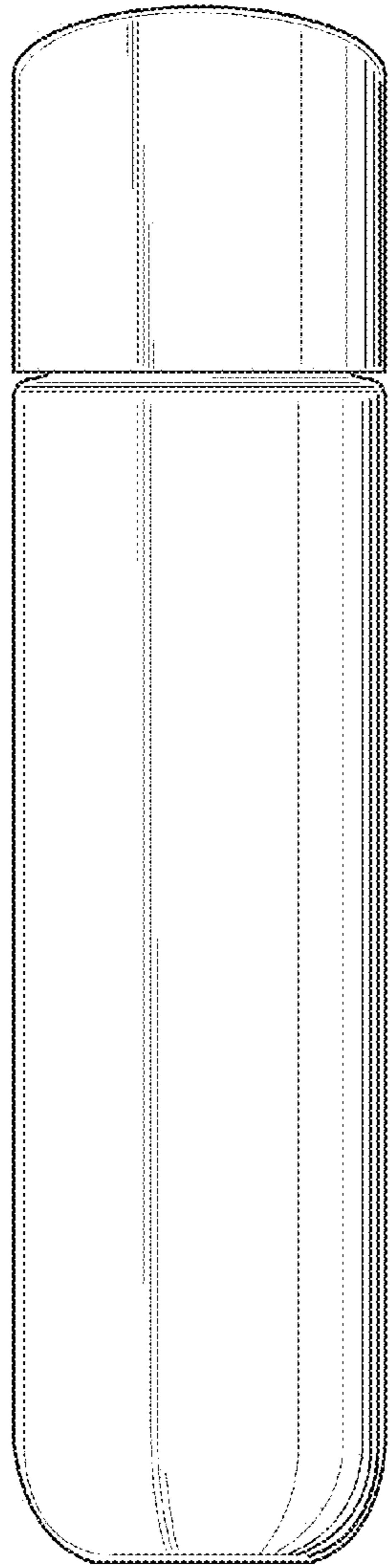


Fig. 3

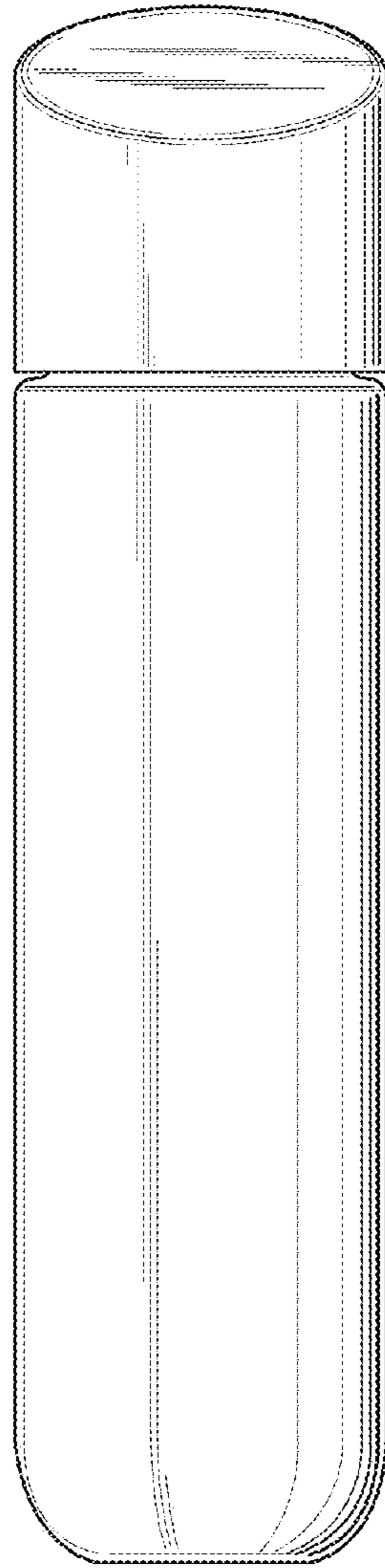


Fig. 4

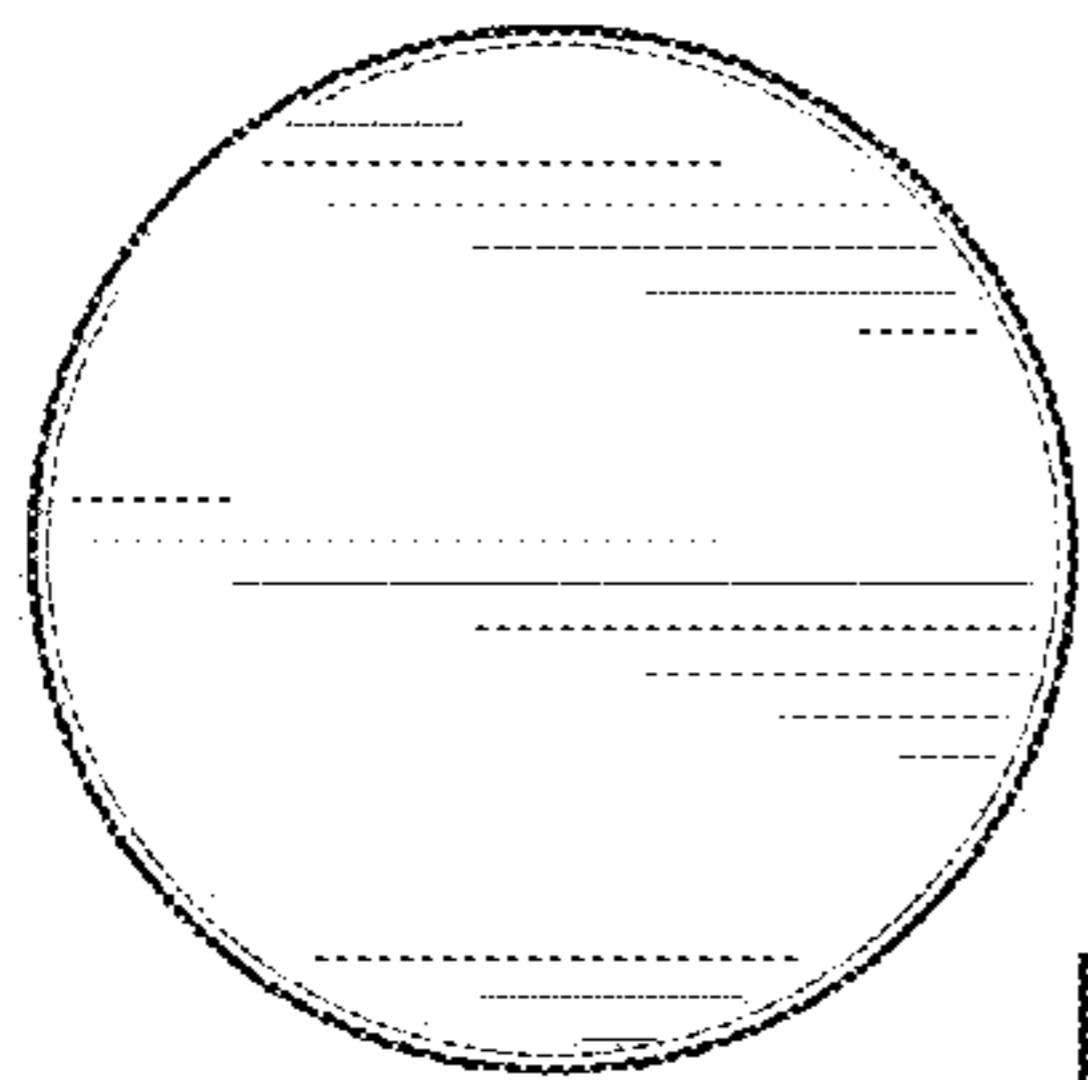


Fig. 5

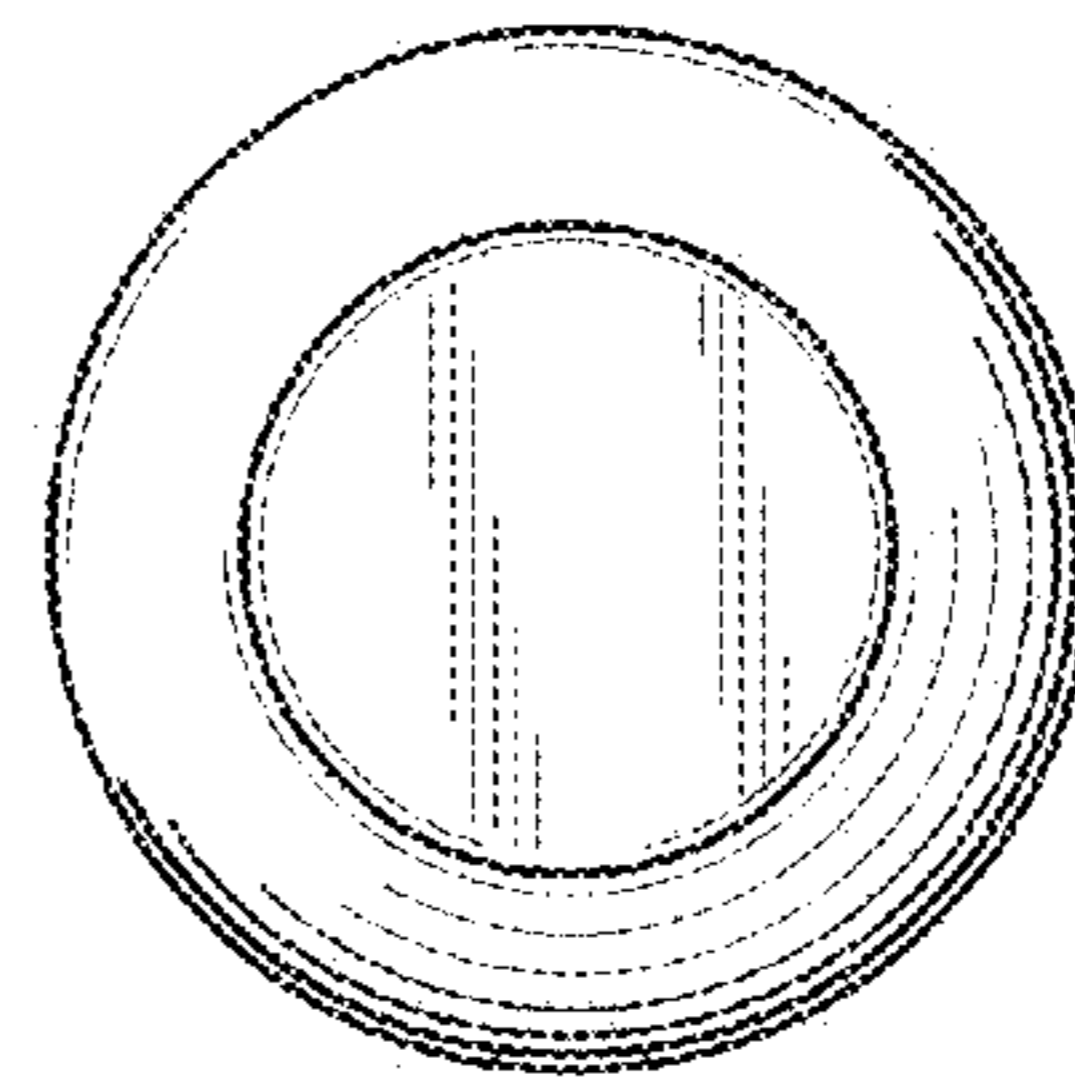


Fig. 6