



US00D691884S

(12) **United States Design Patent**
Kwon

(10) **Patent No.:** **US D691,884 S**

(45) **Date of Patent:** **** Oct. 22, 2013**

(54) **COMBINED PACKING BOX, INNER
PACKING GUIDE AND USER GUIDE**

D597,829 S * 8/2009 Ma et al. D9/415
D609,560 S * 2/2010 Mchatet D9/415

(75) Inventor: **Seong-Min Kwon**, Yongin-Si (KR)

* cited by examiner

(73) Assignee: **Samsung Electronics Co., Ltd.**,
Suwon-si (KR)

Primary Examiner — Susan Bennett Hattan

Assistant Examiner — Vy Koenig

(74) *Attorney, Agent, or Firm* — NSIP Law

(**) Term: **14 Years**

(57) **CLAIM**

The ornamental design for a combined packing box, inner packing guide, and user guide, as shown and described.

(21) Appl. No.: **29/426,754**

DESCRIPTION

(22) Filed: **Jul. 10, 2012**

(30) **Foreign Application Priority Data**

Jan. 12, 2012 (KR) 30-2012-0001724

(51) **LOC (9) Cl.** **09-03**

(52) **U.S. Cl.**
USPC **D9/432; D9/433; D9/415**

(58) **Field of Classification Search**

USPC D9/414, 416, 418, 420–424, 430–433;
D3/272, 273, 302; 206/267, 269, 270,
206/273, 299, 737, 740, 822; 229/100, 101,
229/101.3, 106, 108–122

See application file for complete search history.

(56) **References Cited**

U.S. PATENT DOCUMENTS

789,137 A * 5/1905 Beers 229/117.15
D219,957 S * 2/1971 Spahr D9/414
3,850,365 A * 11/1974 Dietrich 206/427
D237,055 S * 10/1975 Pardo D9/414
4,858,756 A * 8/1989 Herrin et al. 206/461
5,069,334 A * 12/1991 Herrin et al. 206/461
5,499,484 A * 3/1996 Herrin 53/458
D411,448 S * 6/1999 Baker D9/415
D425,415 S * 5/2000 Kumakura et al. D9/415
D429,637 S * 8/2000 Kumakura et al. D9/415
D451,801 S * 12/2001 Schillinger D9/418
D508,399 S * 8/2005 Nanda D9/418
6,994,246 B2 * 2/2006 Ichikawa et al. 229/117.22

FIG. 1 is a front perspective view of a combined packing box, inner packing guide and user guide;

FIG. 2 is a front view of the combined packing box, inner packing guide and user guide of FIG. 1;

FIG. 3 is a rear view of the combined packing box, inner packing guide and user guide of FIG. 1;

FIG. 4 is a left-side view of the combined packing box, inner packing guide and user guide of FIG. 1;

FIG. 5 is a right-side view of the combined packing box, inner packing guide and user guide of FIG. 1;

FIG. 6 is a top plan view of the combined packing box, inner packing guide and user guide of FIG. 1;

FIG. 7 is a bottom plan view of the combined packing box, inner packing guide and user guide of FIG. 1;

FIG. 8 is an exploded-perspective view of the combined packing box, inner packing guide and user guide of FIG. 1 where the packing box, inner packing guide and user guide have been extracted from each other for ease of illustration;

FIG. 9 is a top plan view of the inner packing guide of the combined packing box, inner packing guide and user guide of FIG. 1 in an unfolded configuration and shown separately for clarity of illustration; and,

FIG. 10 is a partial enlarged view of FIG. 1 that is included to more clearly depict the user guide and inner packing guide, as viewed from the front perspective view of FIG. 1.

The broken lines shown in the drawings depict environmental subject matter only and form no part of the claimed design.

1 Claim, 8 Drawing Sheets

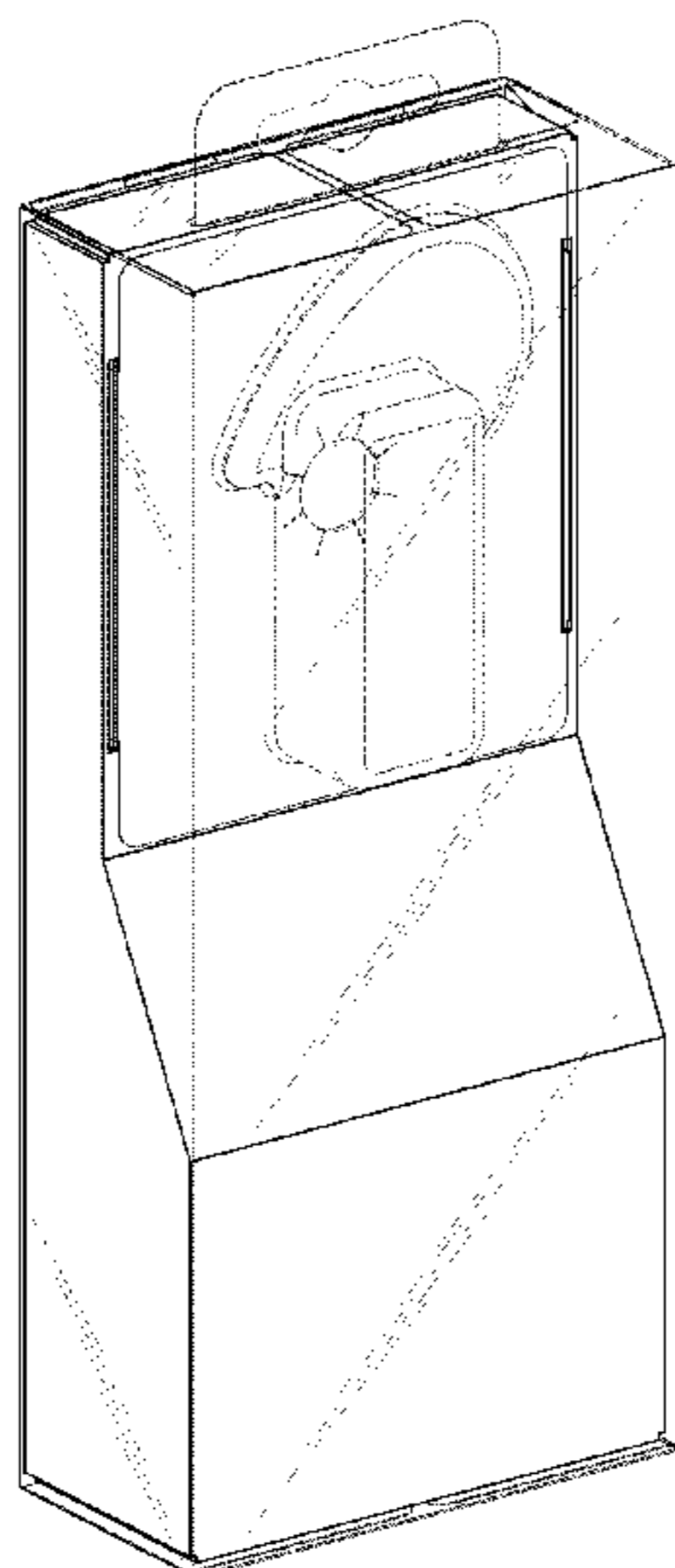


FIG. 1

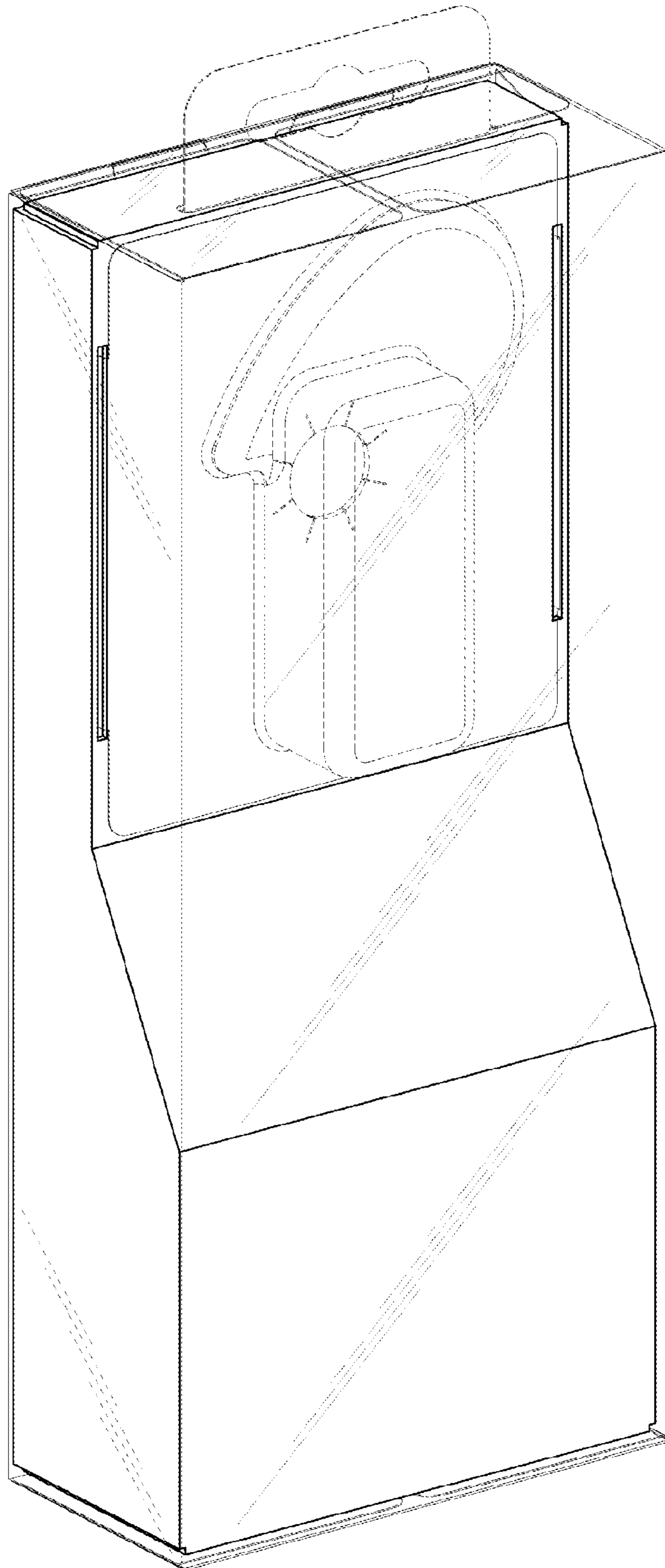


FIG. 2

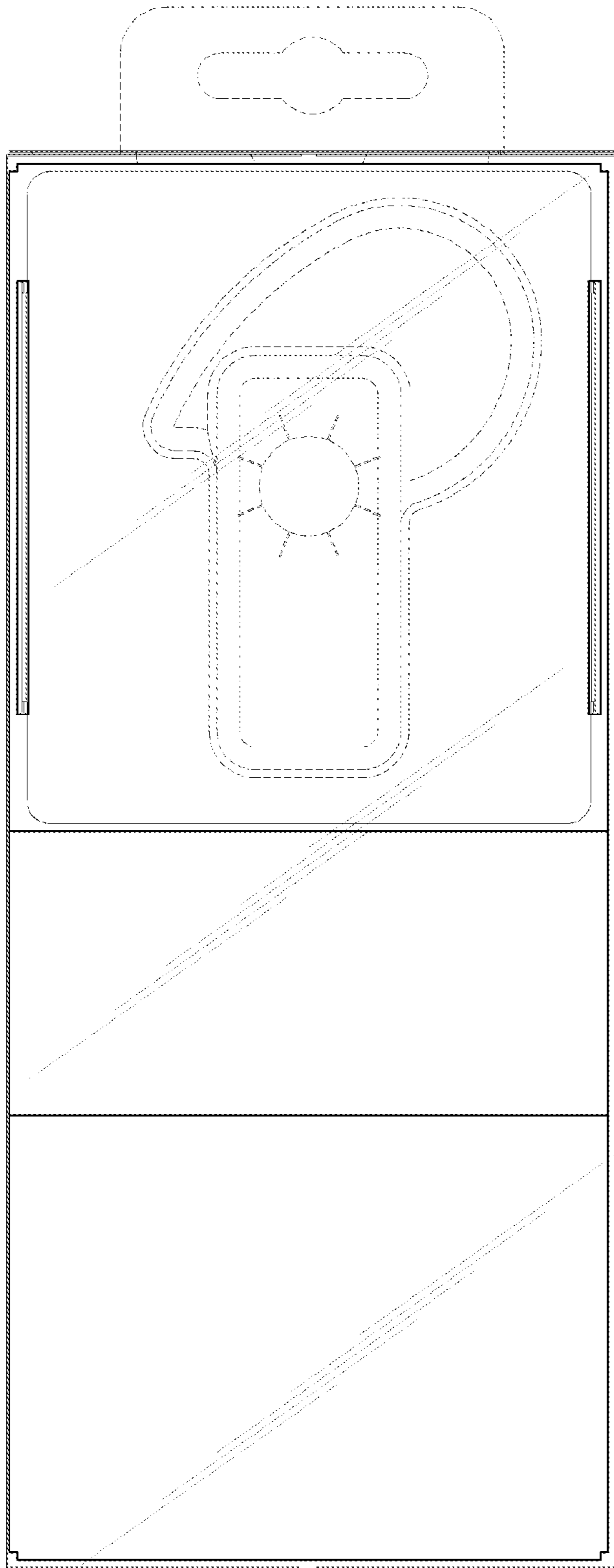


FIG. 3

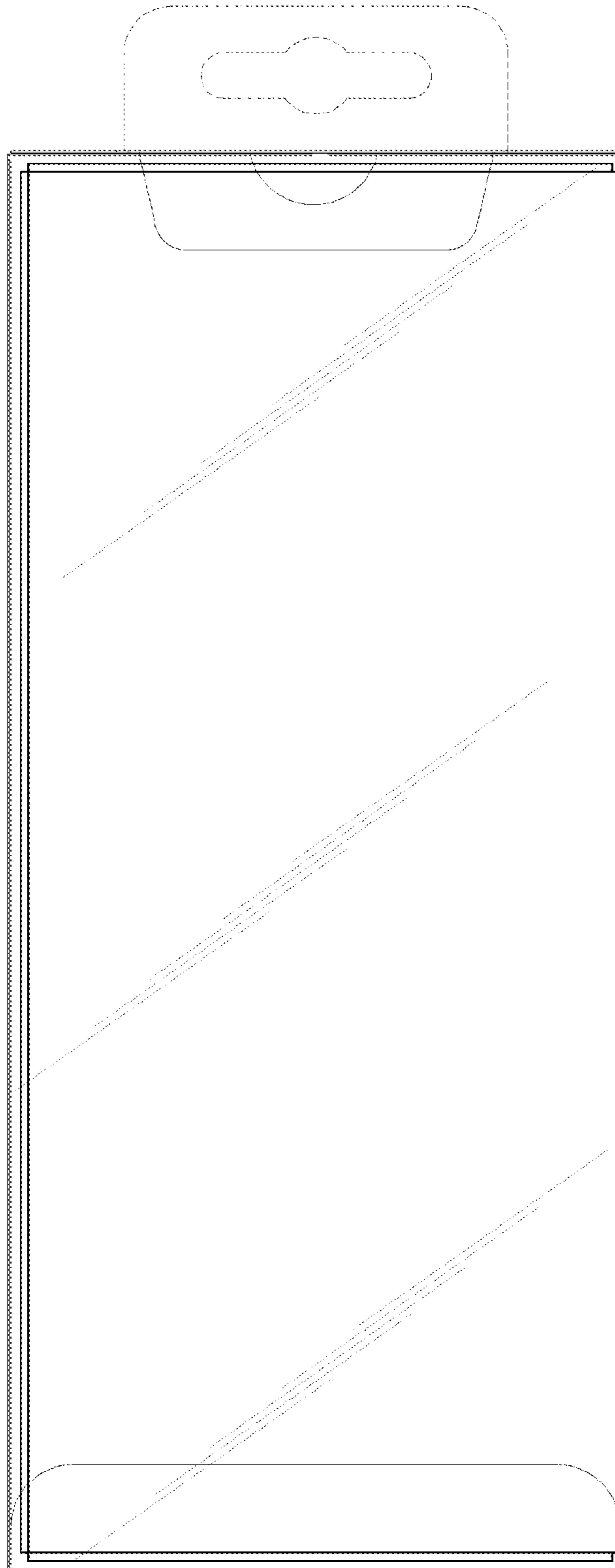


FIG. 4

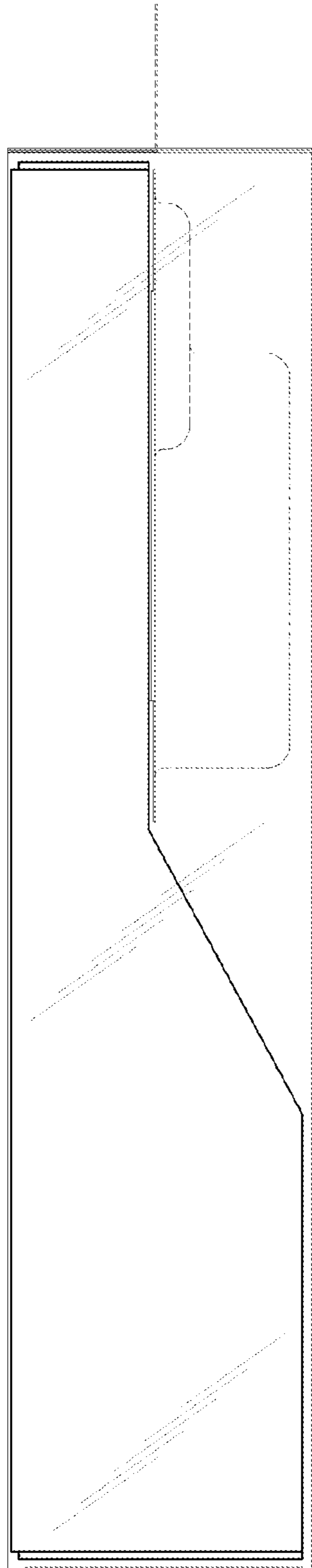


FIG. 5

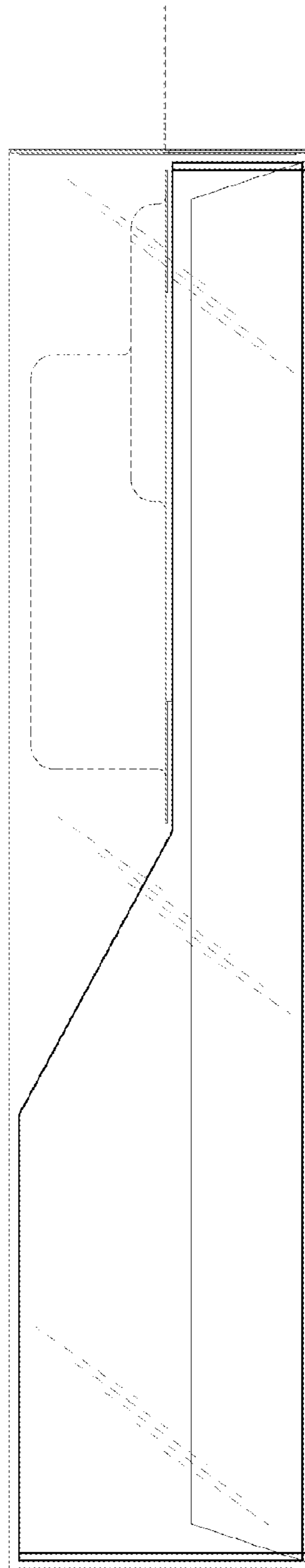


FIG. 6

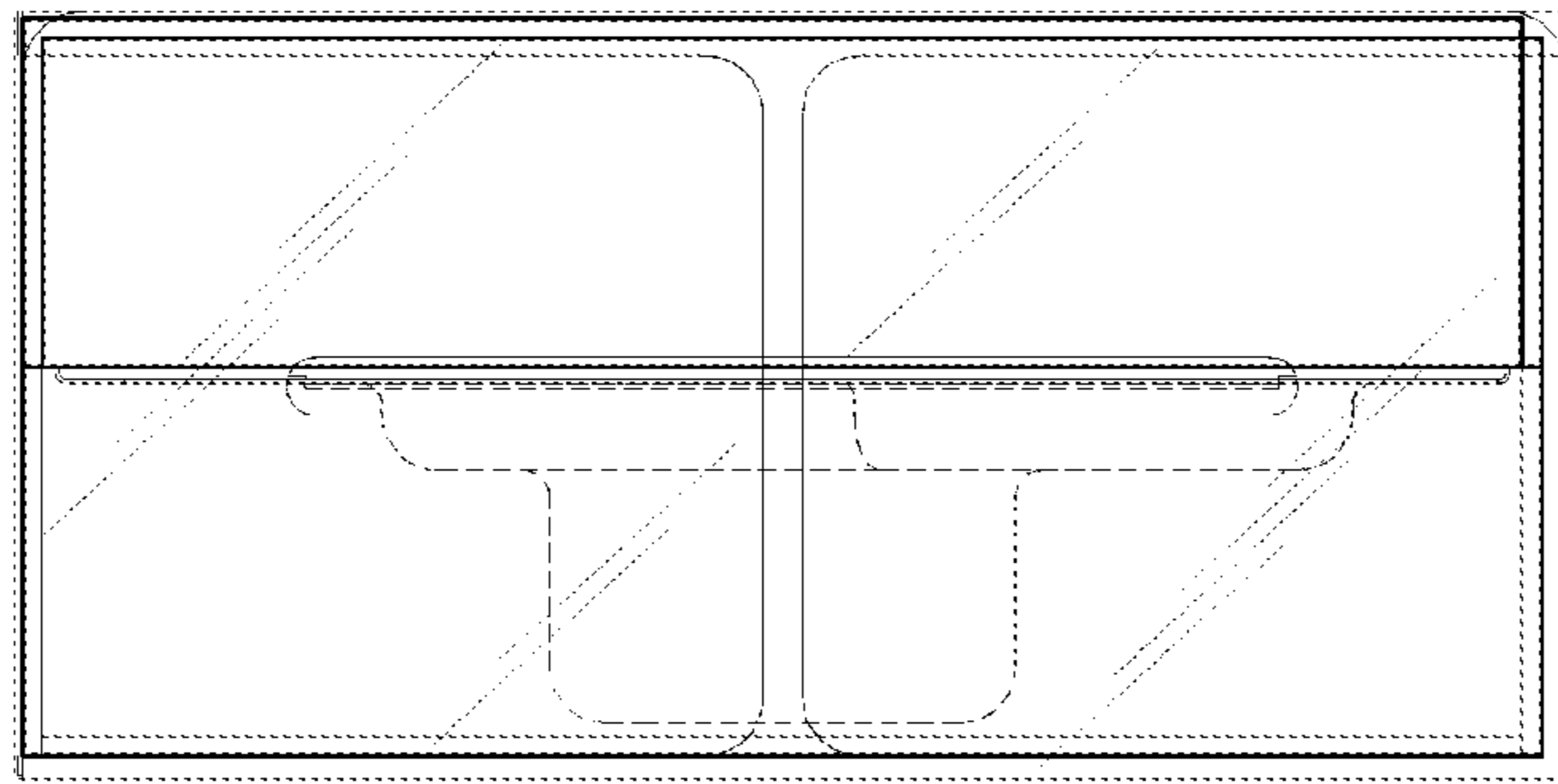


FIG. 7

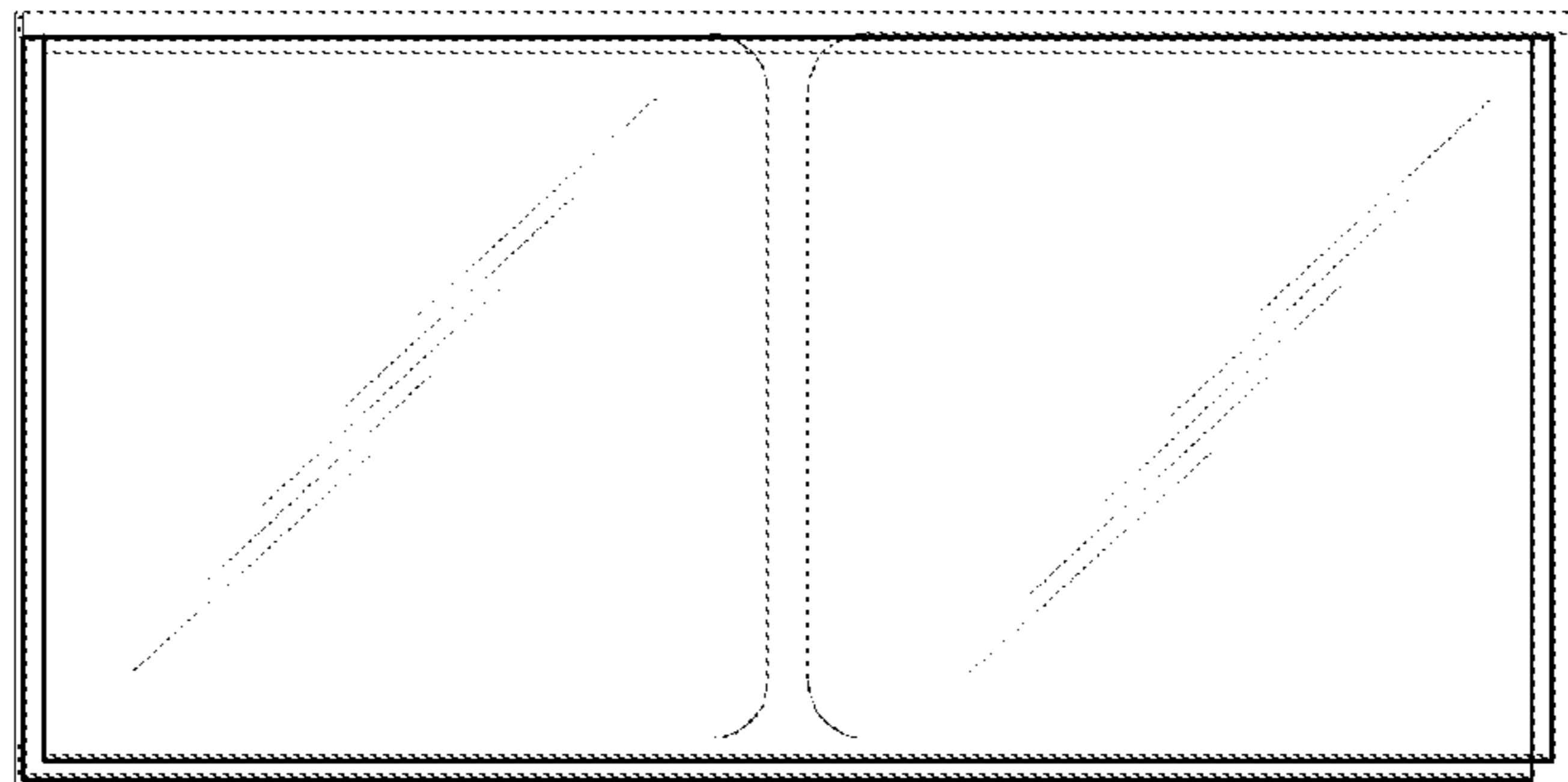


FIG. 8

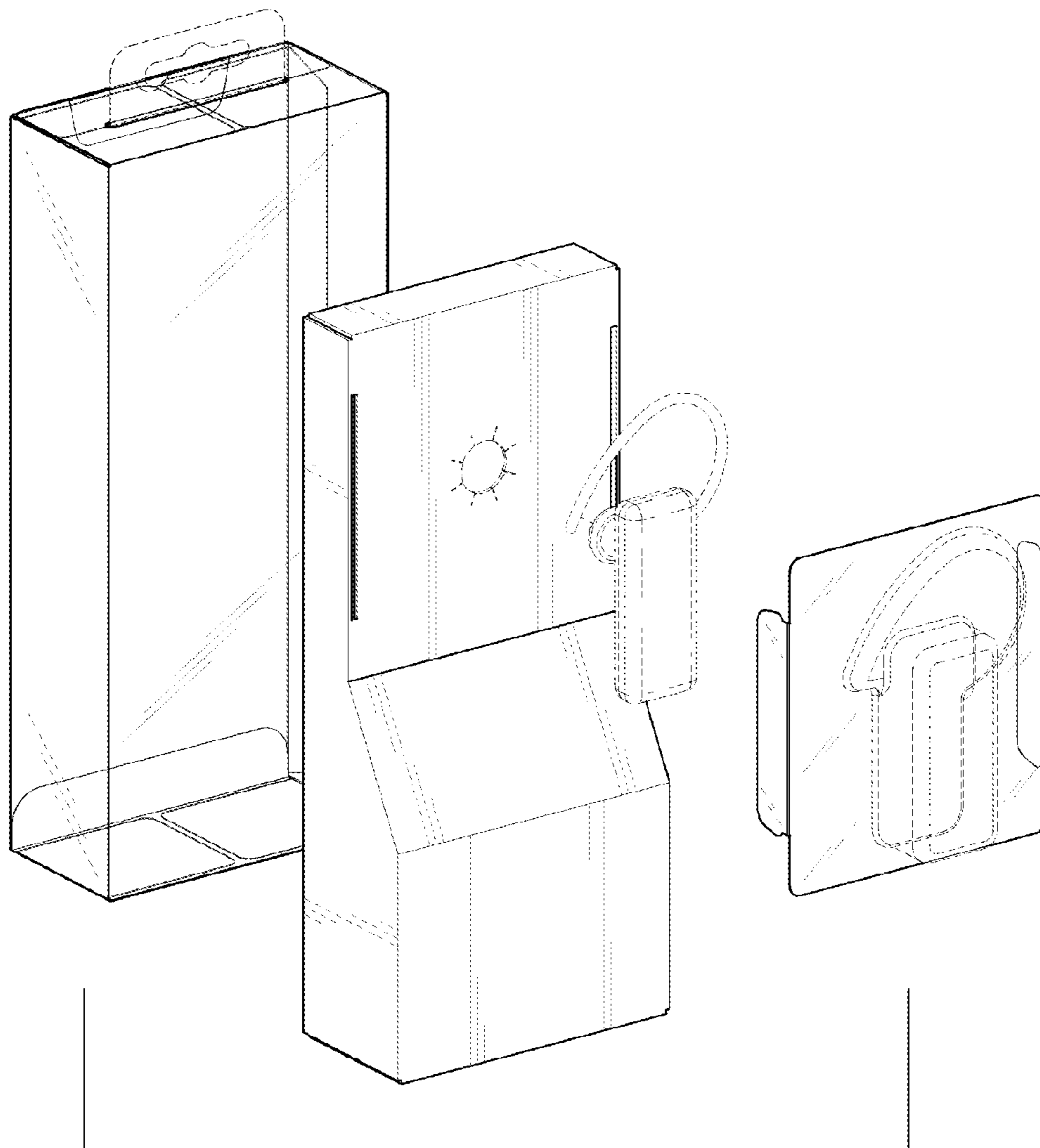


FIG. 9

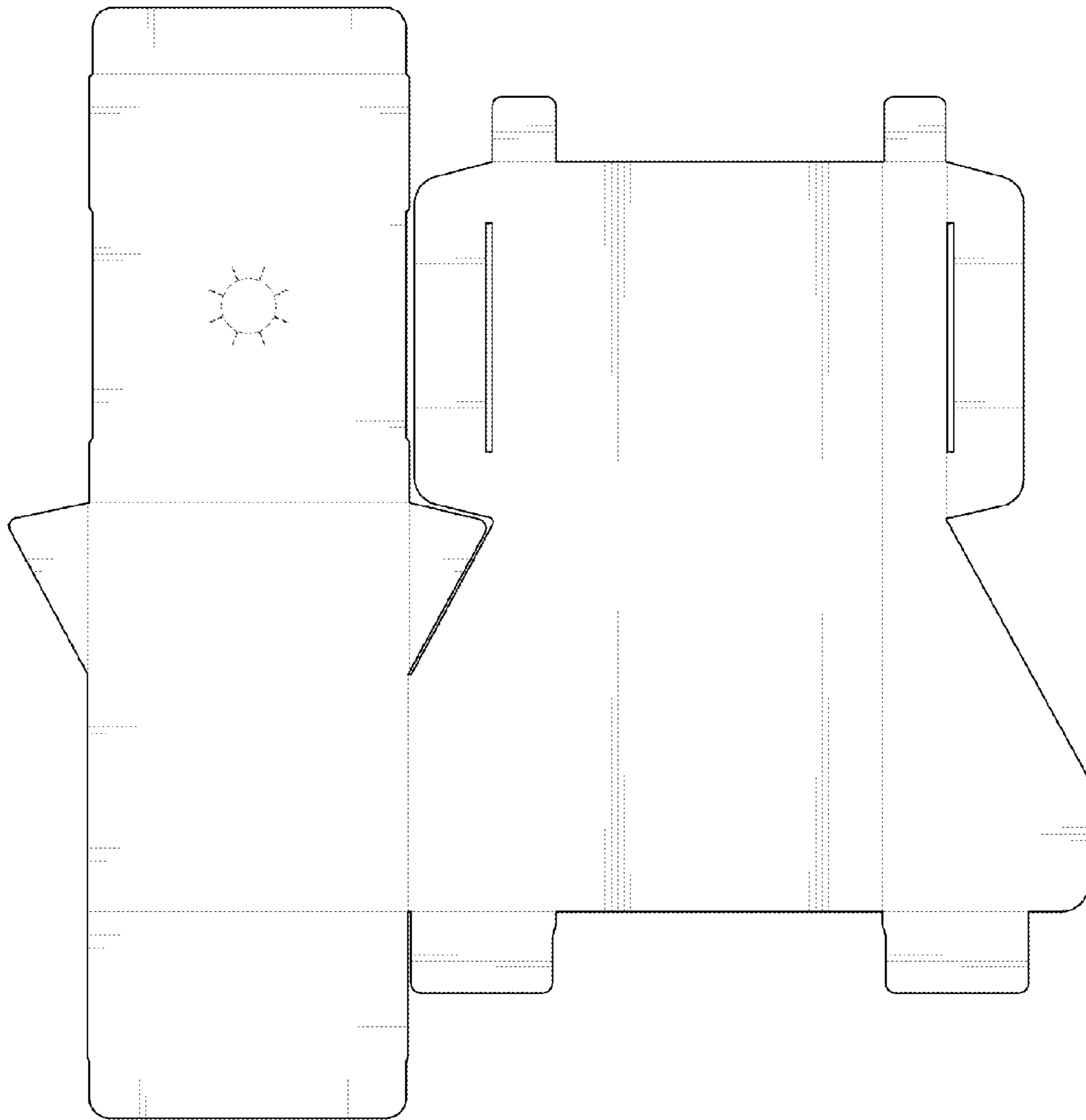


FIG. 10

