



US00D691881S

(12) **United States Design Patent**
Ivey

(10) **Patent No.:** **US D691,881 S**

(45) **Date of Patent:** **** Oct. 22, 2013**

(54) **PACKAGING FOR BEVERAGE ITEMS**

(71) Applicant: **Supremia International, Inc.**,
Plainsboro, NJ (US)

(72) Inventor: **Jason Ivey**, Santa Ana, CA (US)

(73) Assignee: **Supremia International, Inc.**,
Plainsboro, NJ (US)

(**) Term: **14 Years**

(21) Appl. No.: **29/440,171**

(22) Filed: **Dec. 19, 2012**

(51) **LOC (9) Cl.** **09-03**

(52) **U.S. Cl.**
USPC **D9/424**

(58) **Field of Classification Search**
USPC D9/414, 424, 425, 428, 434, 445, 503,
D9/504, 516, 537, 539, 549, 574; 206/303,
206/446, 485, 486, 487, 488, 490, 756, 765,
206/769, 770, 771, 775-777, 778; 220/528,
220/529, 559, 661, 662, 625; D6/661.3
See application file for complete search history.

(56) **References Cited**

U.S. PATENT DOCUMENTS

| | | | | | |
|-----------|------|---------|------------------|-------|-----------|
| 2,033,349 | A * | 3/1936 | Miller | | 206/459.5 |
| 2,137,701 | A * | 11/1938 | Replogle | | 431/291 |
| 3,045,812 | A * | 7/1962 | Randolph | | 206/228 |
| D275,789 | S * | 10/1984 | Byrne | | D24/223 |
| D378,057 | S * | 2/1997 | Dikowitz | | D9/418 |
| 6,209,720 | B1 * | 4/2001 | Chen | | 206/315.1 |
| D464,216 | S * | 10/2002 | Rone | | D6/472 |
| D464,877 | S * | 10/2002 | Weinstein et al. | | D9/418 |
| D472,808 | S * | 4/2003 | Gelardi et al. | | D9/428 |
| D472,809 | S * | 4/2003 | Gelardi et al. | | D9/428 |
| D498,673 | S * | 11/2004 | Weiss | | D9/418 |
| 7,000,772 | B2 * | 2/2006 | Schmitt | | 206/581 |
| D646,585 | S * | 10/2011 | Henkel et al. | | D9/716 |

| | | | | | |
|--------------|------|--------|---------|-------|---------|
| D660,994 | S * | 5/2012 | Halty | | D26/9 |
| D667,240 | S * | 9/2012 | Weldon | | D6/472 |
| 2010/0170838 | A1 * | 7/2010 | Falcone | | 210/222 |

* cited by examiner

Primary Examiner — Derrick Holland

Assistant Examiner — Lauren Calve

(74) *Attorney, Agent, or Firm* — Norris McLaughlin & Marcus PA

(57) **CLAIM**

The ornamental design for a packaging for beverage items, as shown and described.

DESCRIPTION

FIG. 1 is a front and side perspective view of a first embodiment of my packaging for beverage items;
 FIG. 2 is front elevational view thereof;
 FIG. 3 is a left side elevational view thereof, the right side being a mirror image thereof;
 FIG. 4 is a rear elevational view thereof;
 FIG. 5 is a top plan view thereof;
 FIG. 6 is a bottom plan view thereof;
 FIG. 7 is a bottom perspective view thereof;
 FIG. 8 is a front and side perspective view of a second embodiment of my packaging for beverage items;
 FIG. 9 is a front elevational view thereof;
 FIG. 10 is a left side elevational view thereof, the right side being a mirror image thereof;
 FIG. 11 is a rear elevational view thereof;
 FIG. 12 is a top plan view thereof;
 FIG. 13 is a bottom plan view thereof; and,
 FIG. 14 is a bottom perspective view thereof.

The broken line showing of a packaging for beverage items represents unclaimed subject matter and forms no part of the claimed design.

1 Claim, 12 Drawing Sheets

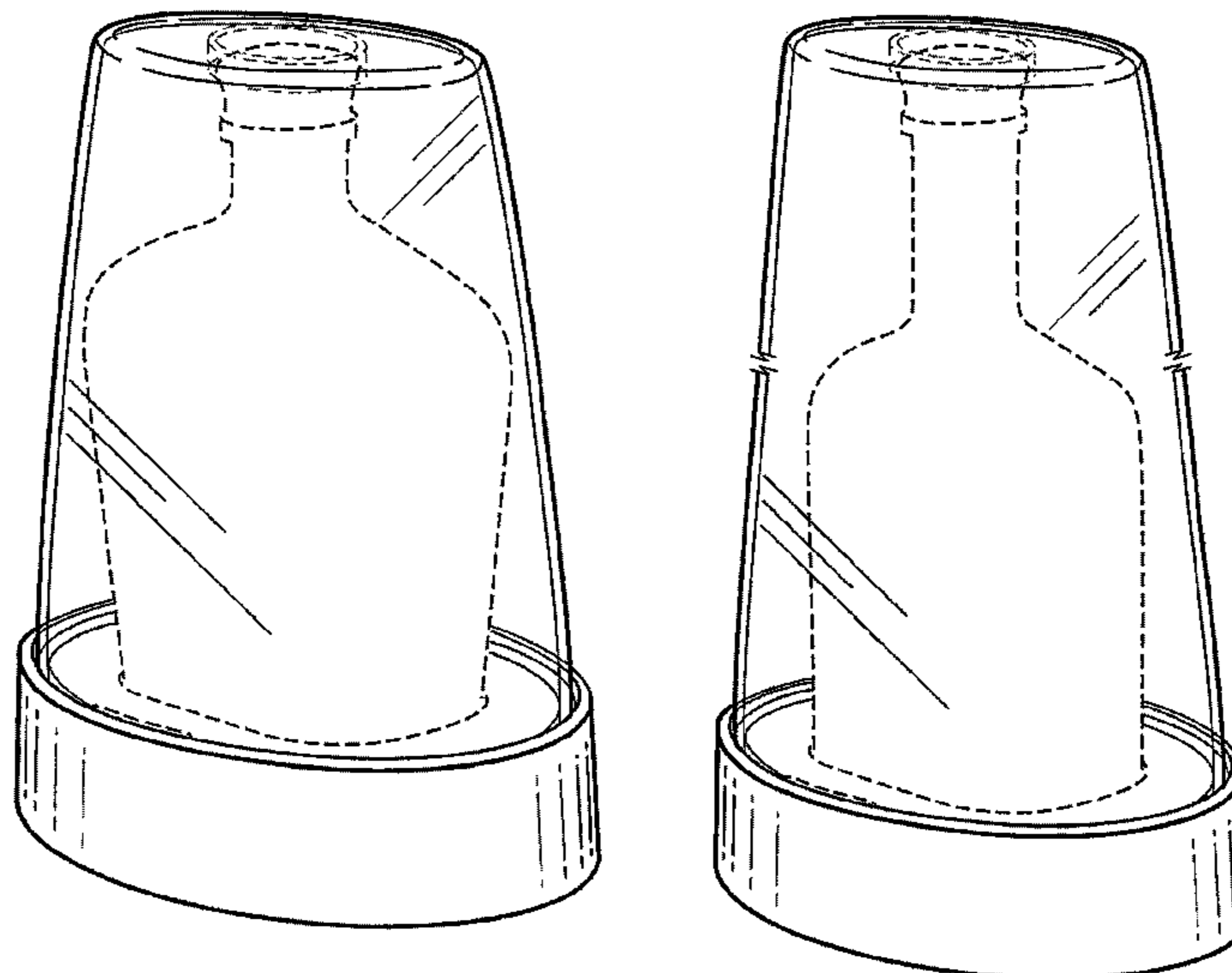


FIG. 1

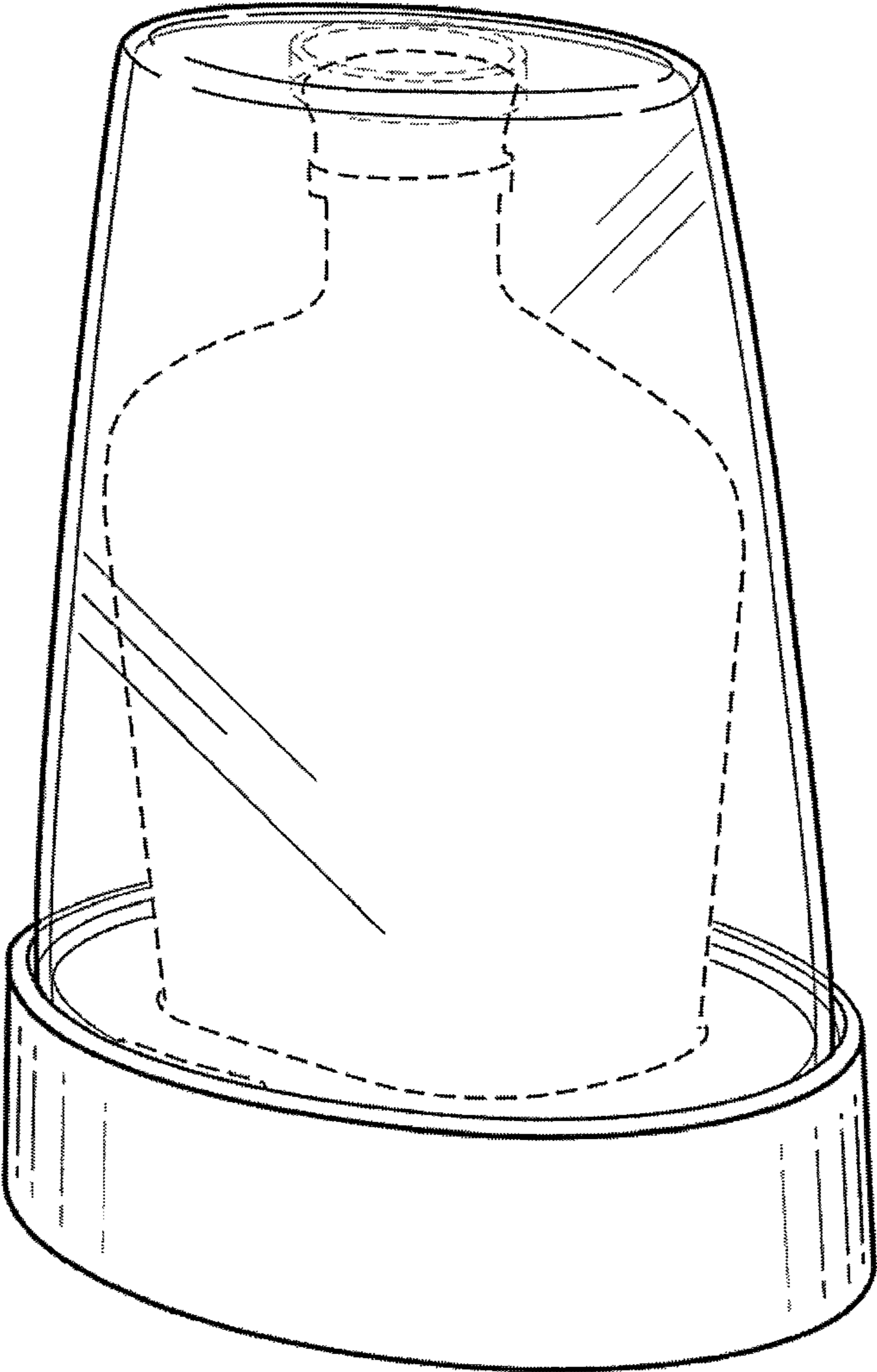


FIG. 2

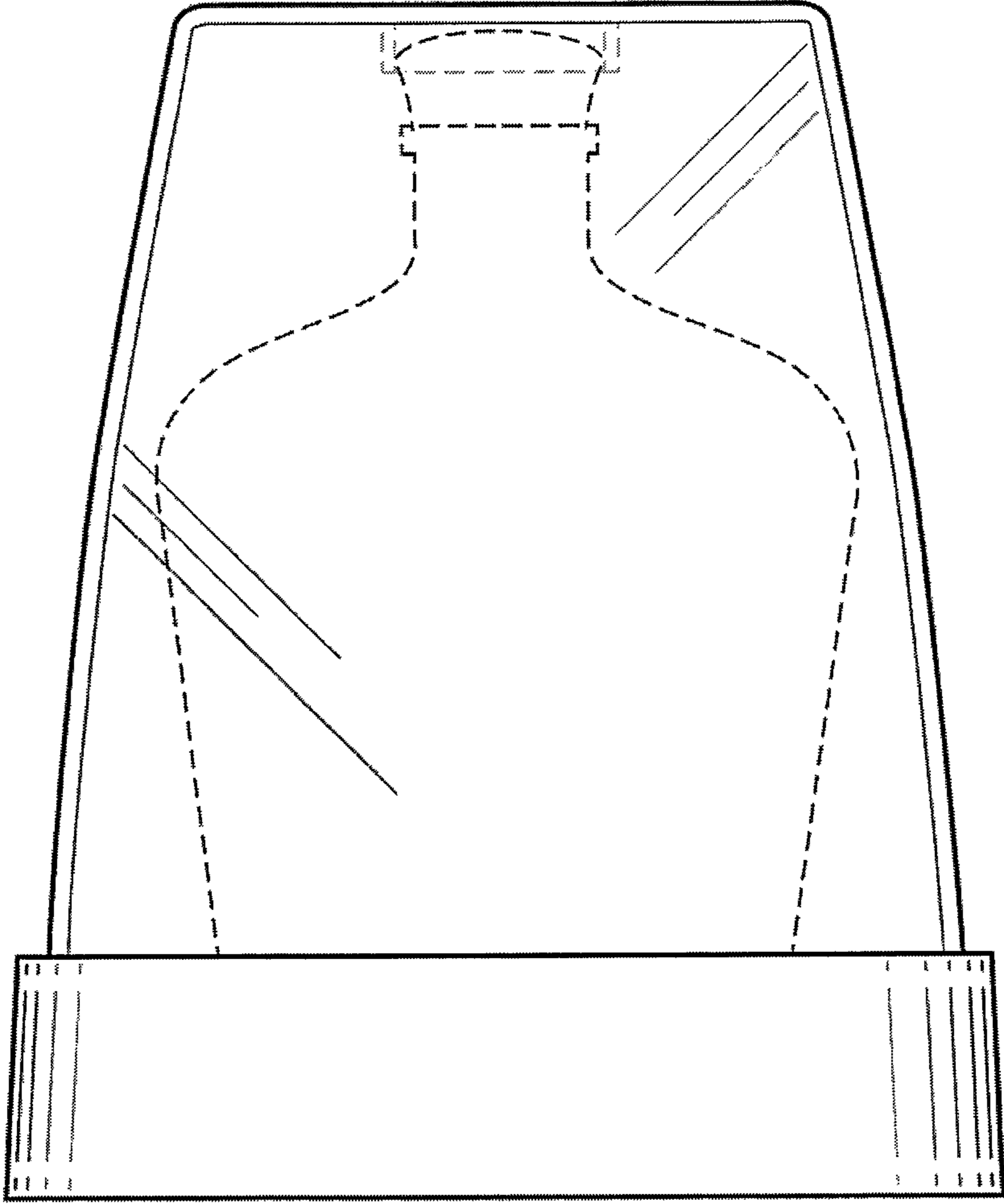


FIG. 3

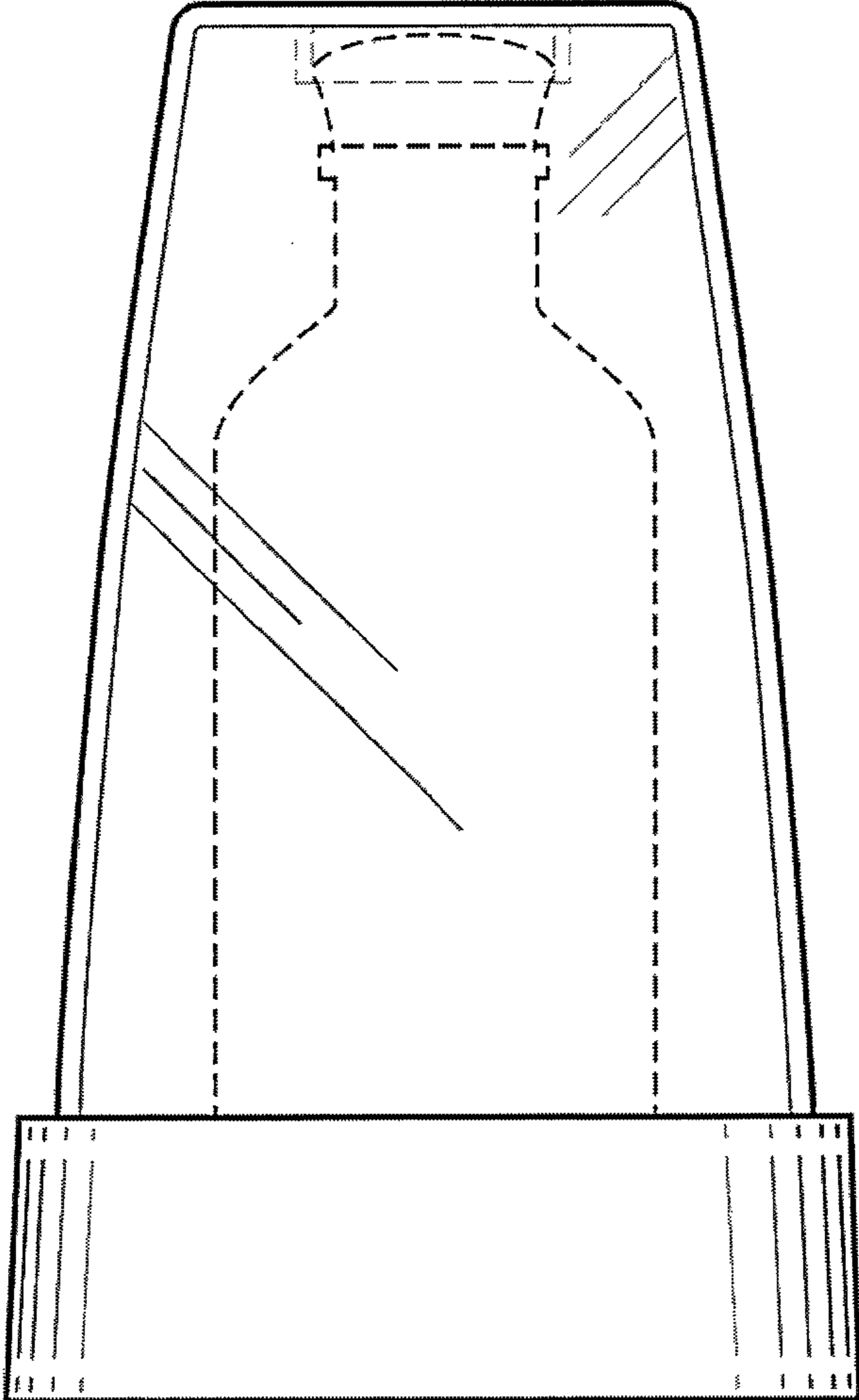


FIG. 4

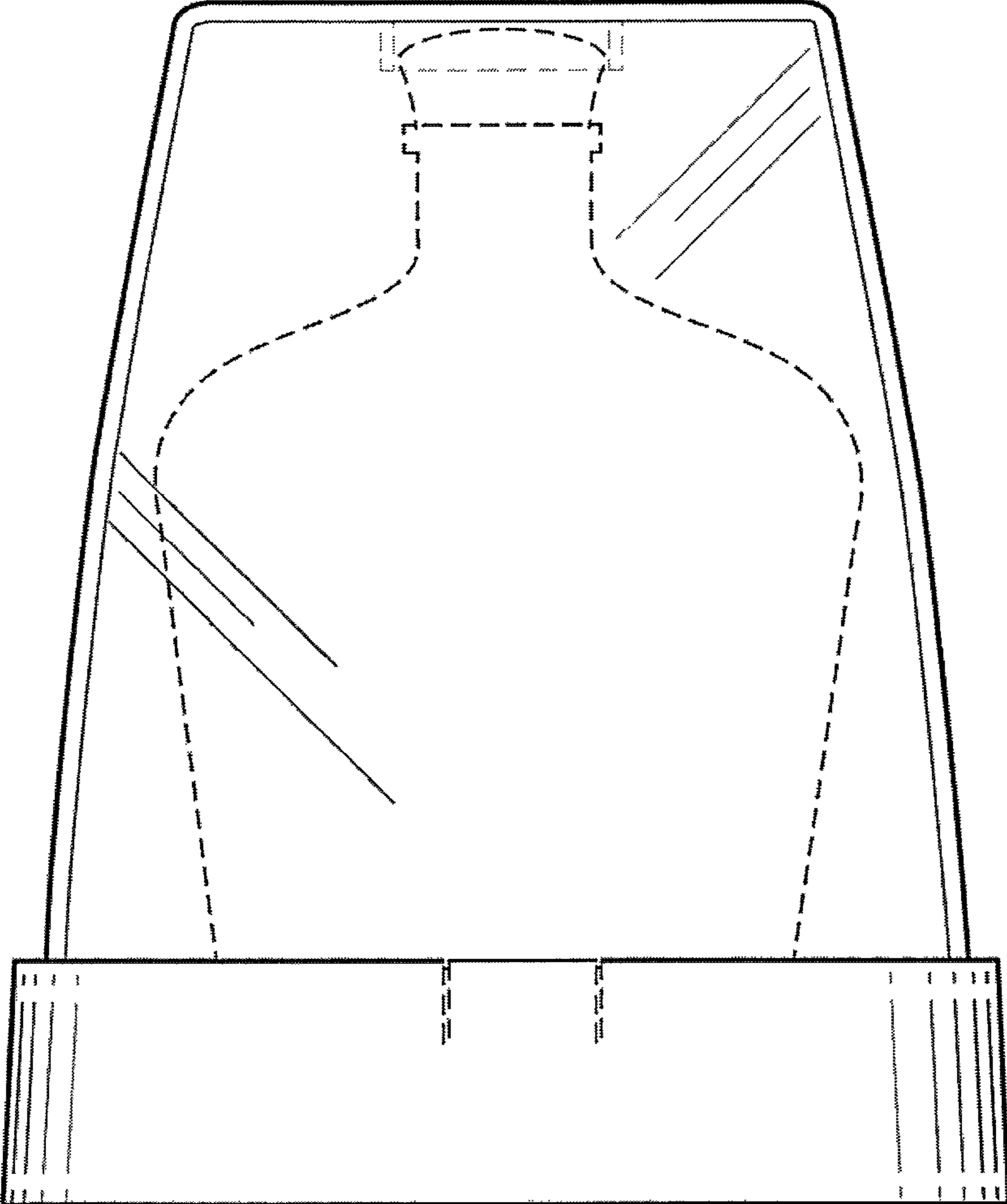


FIG. 5

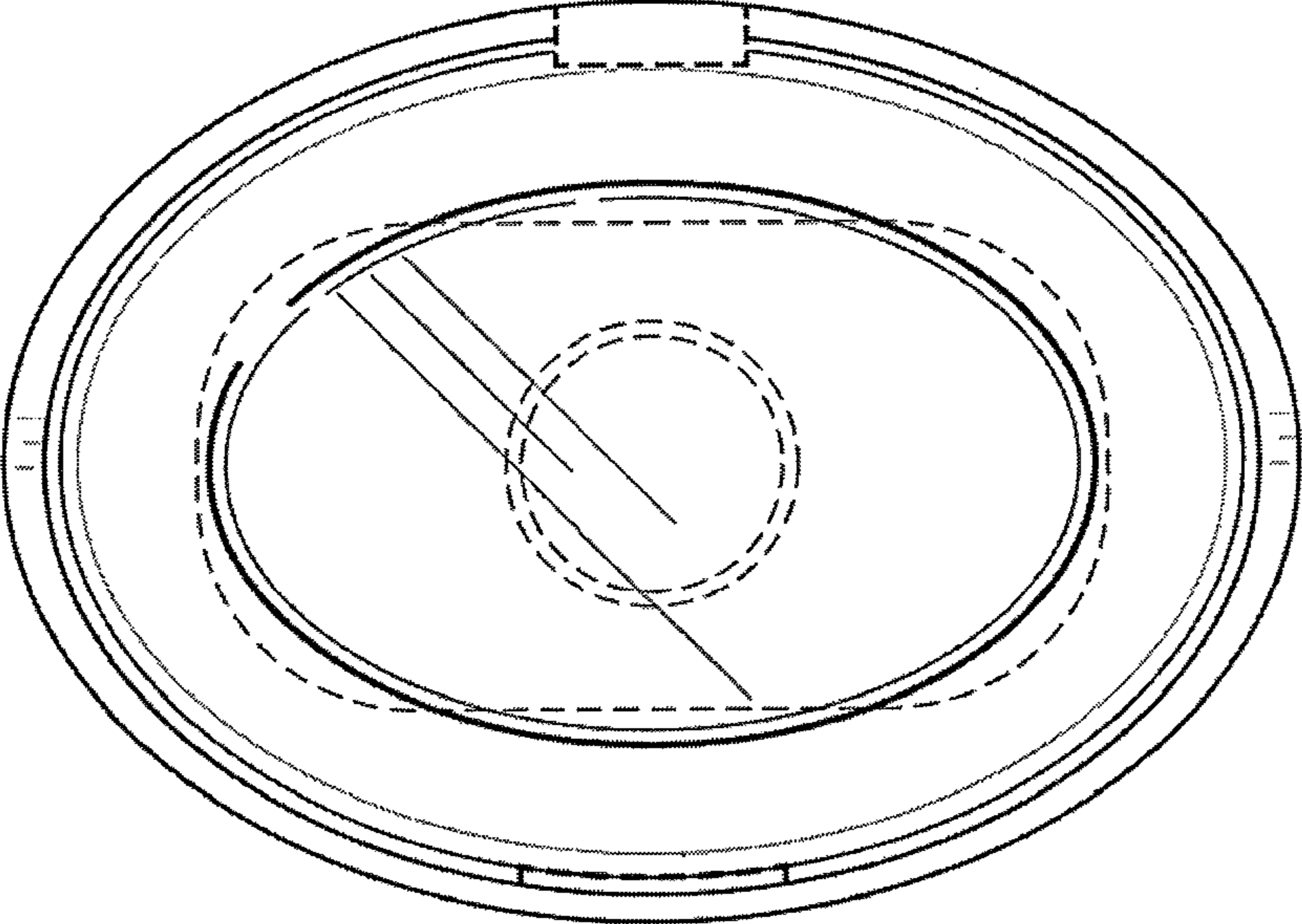


FIG. 6

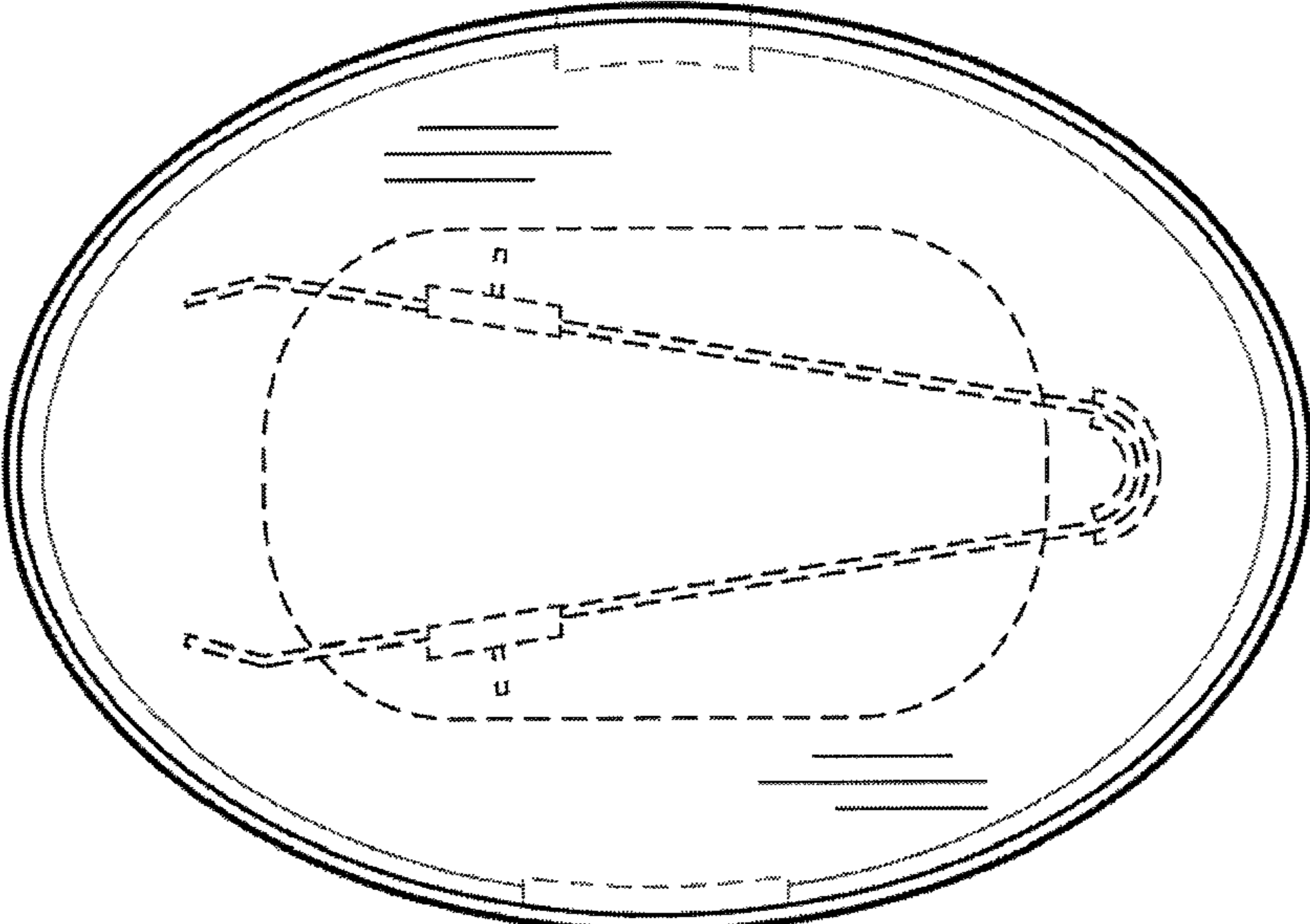


FIG. 7

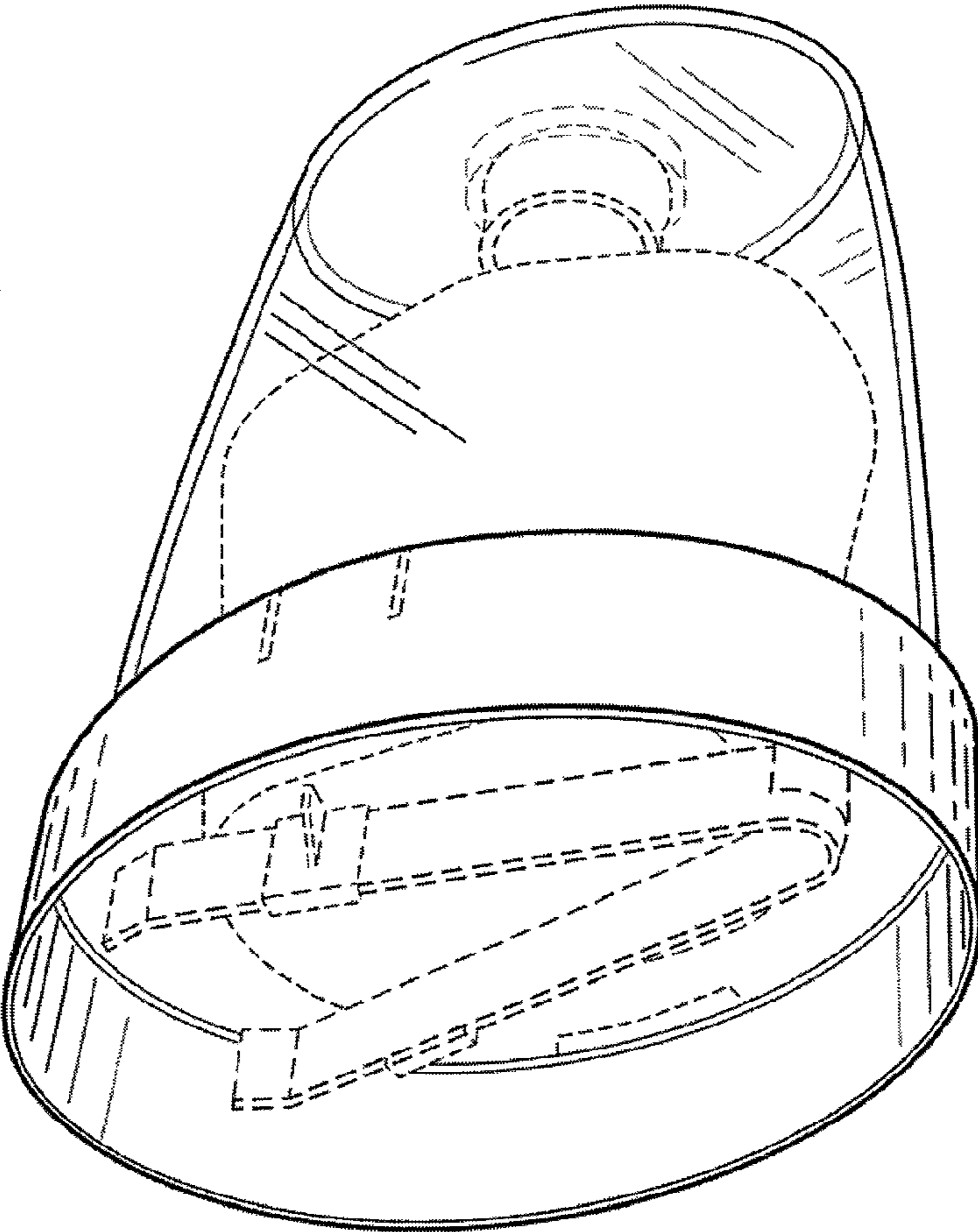


FIG. 8

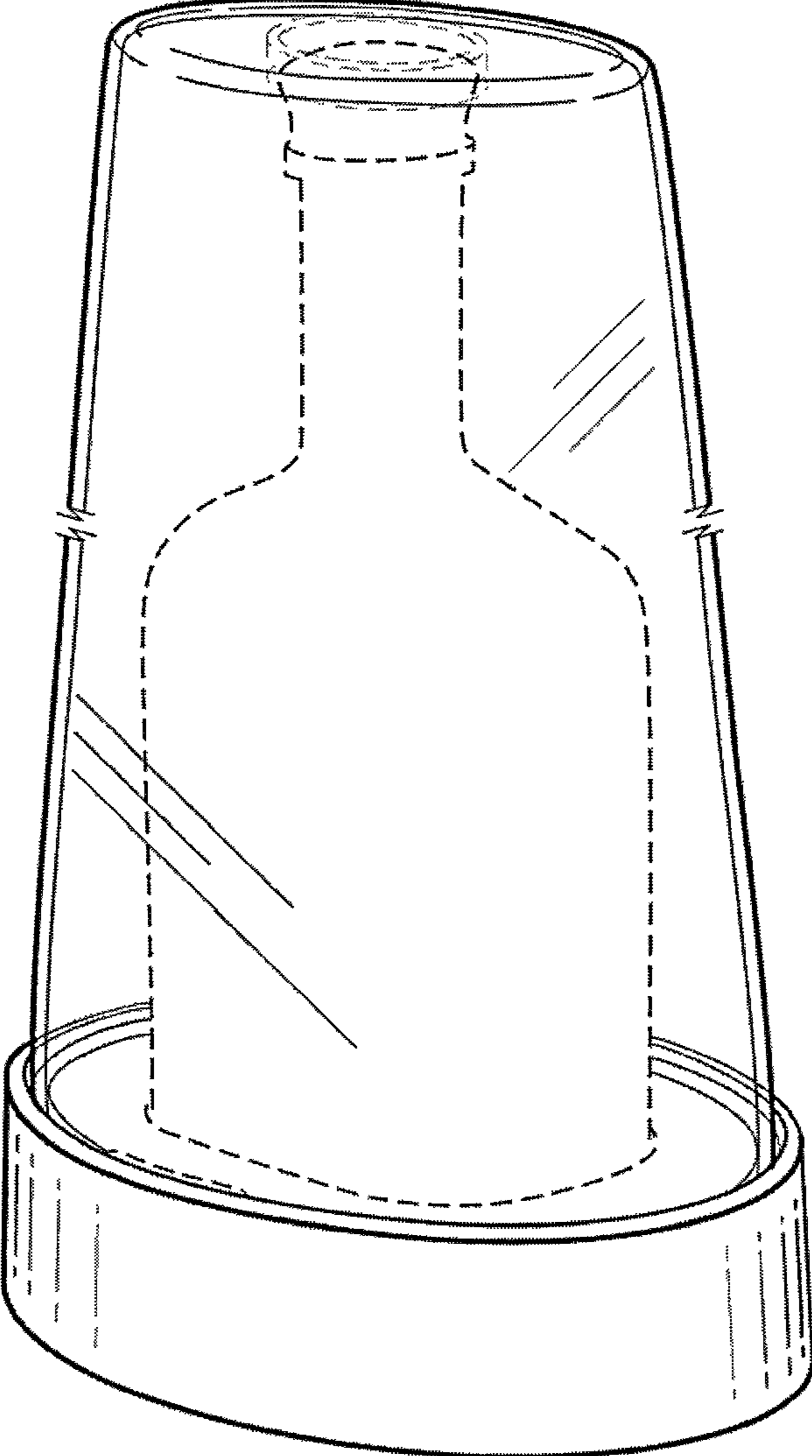


FIG. 9

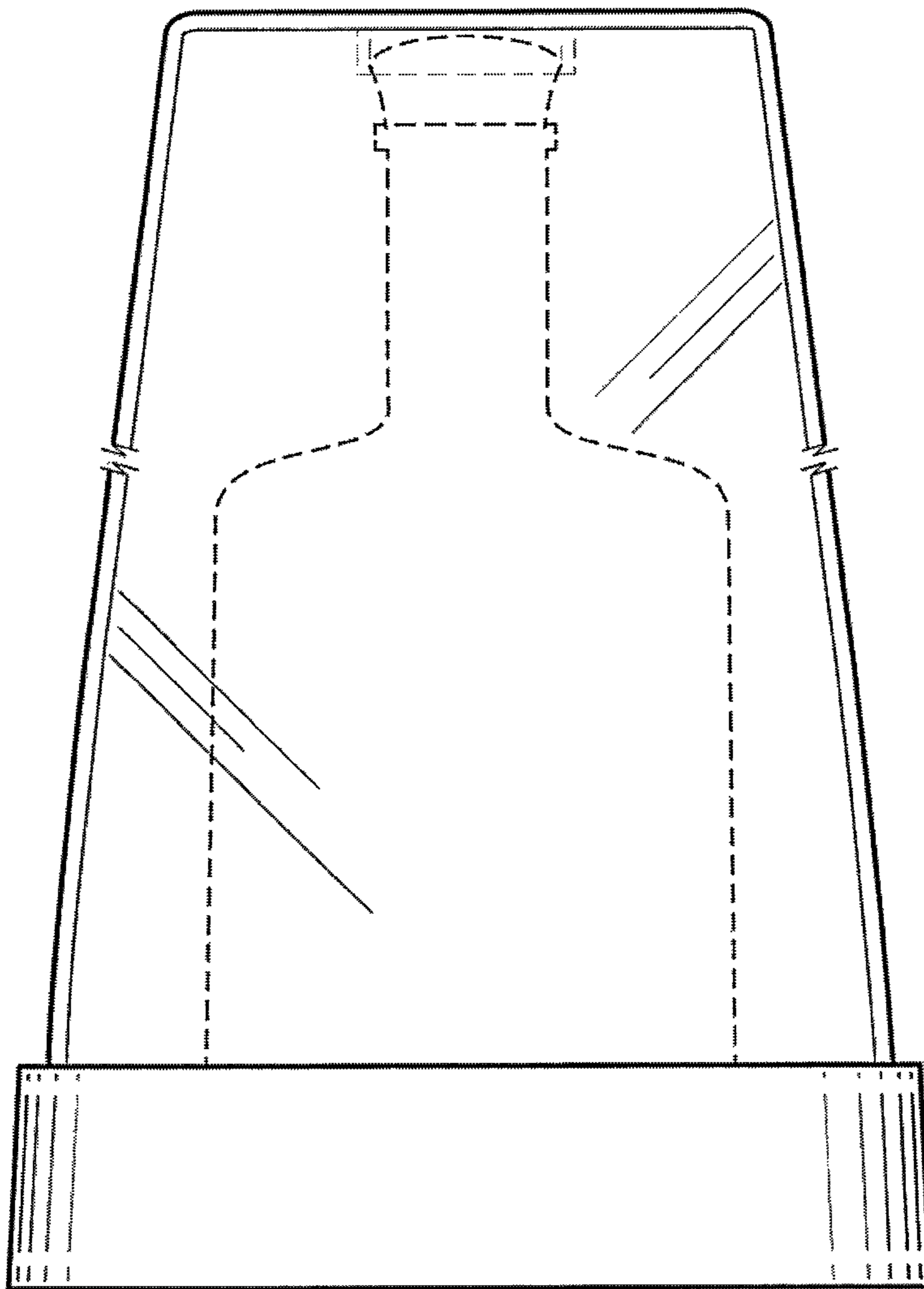


FIG. 10

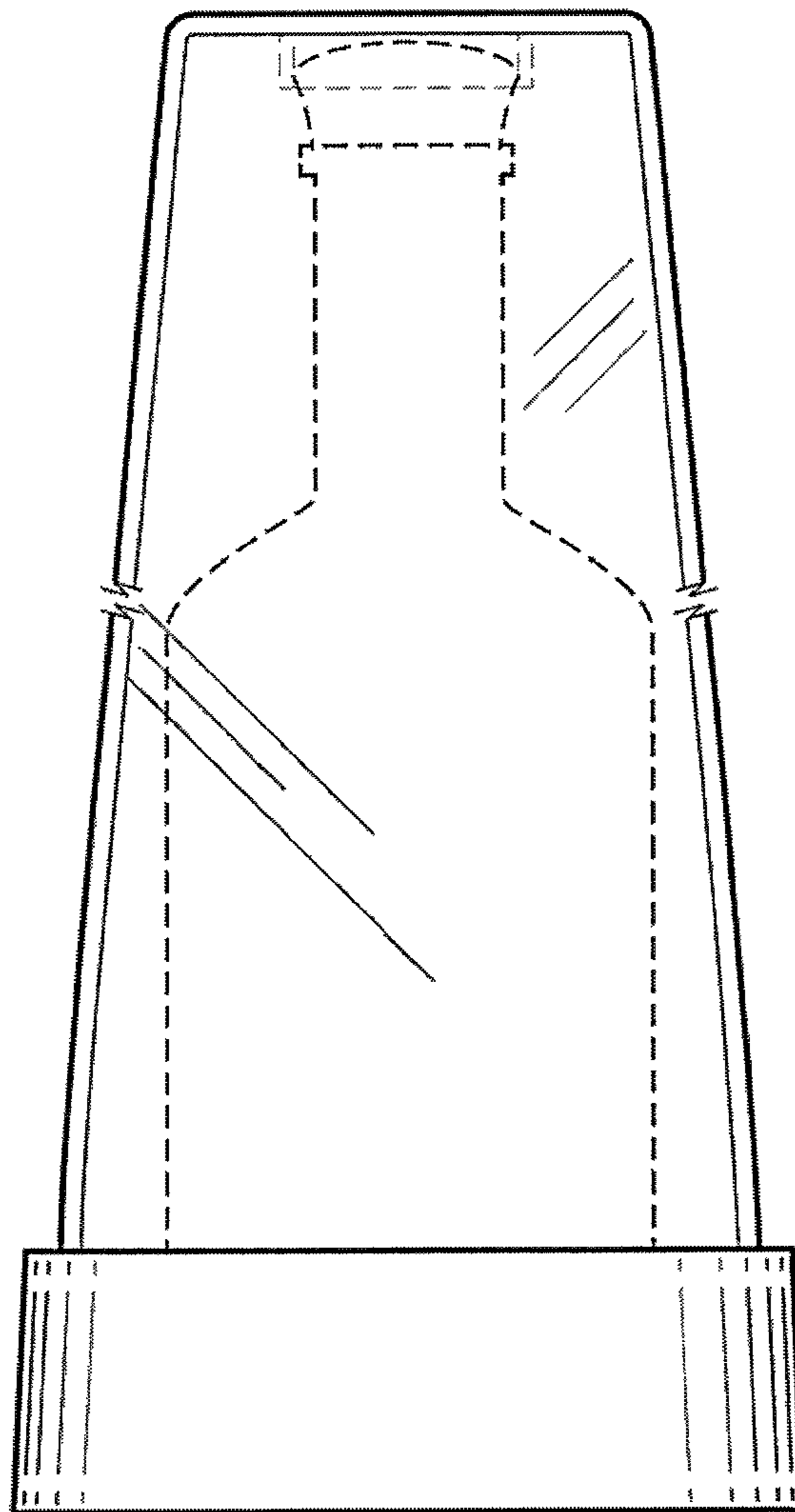


FIG. 11

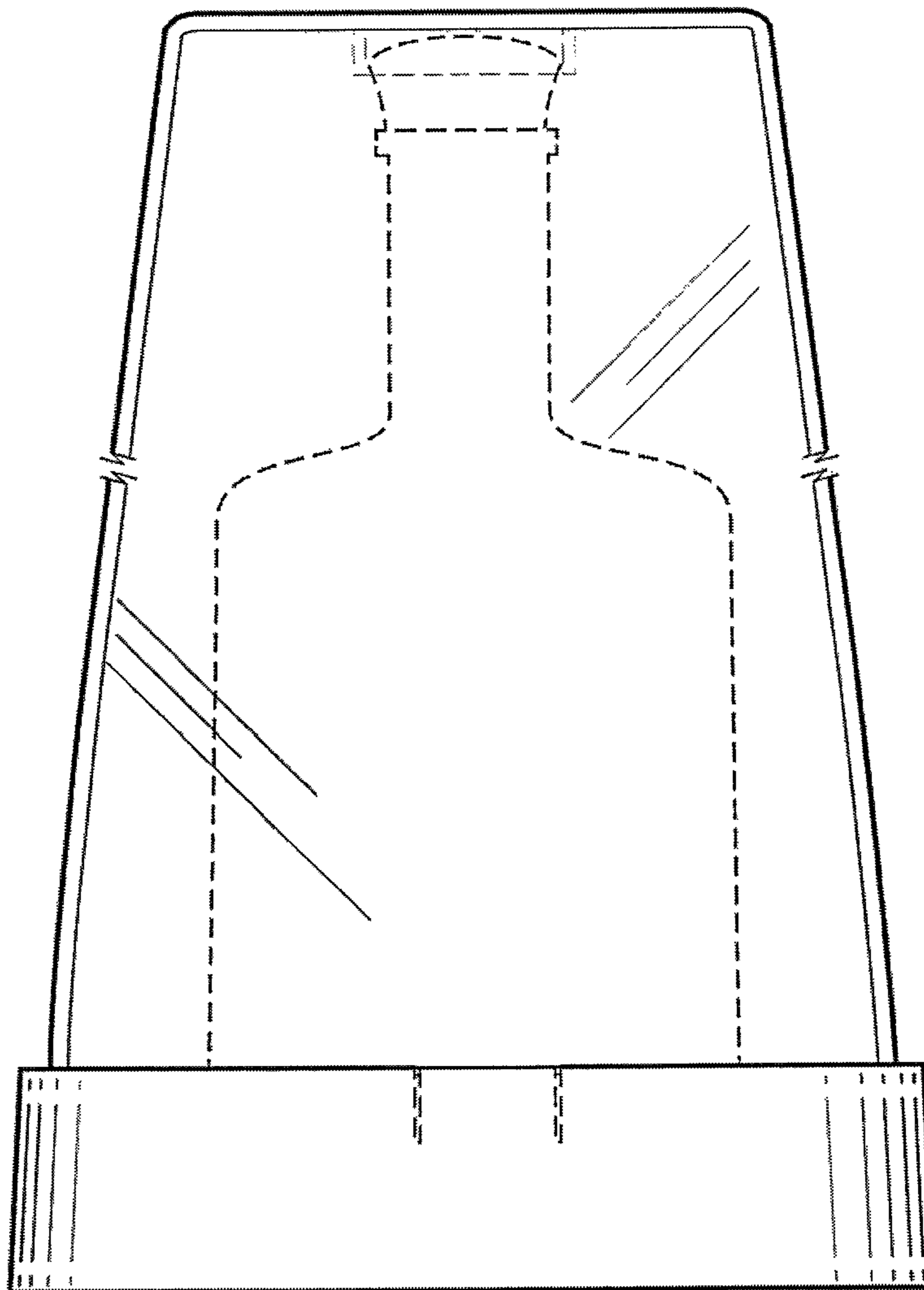


FIG. 12

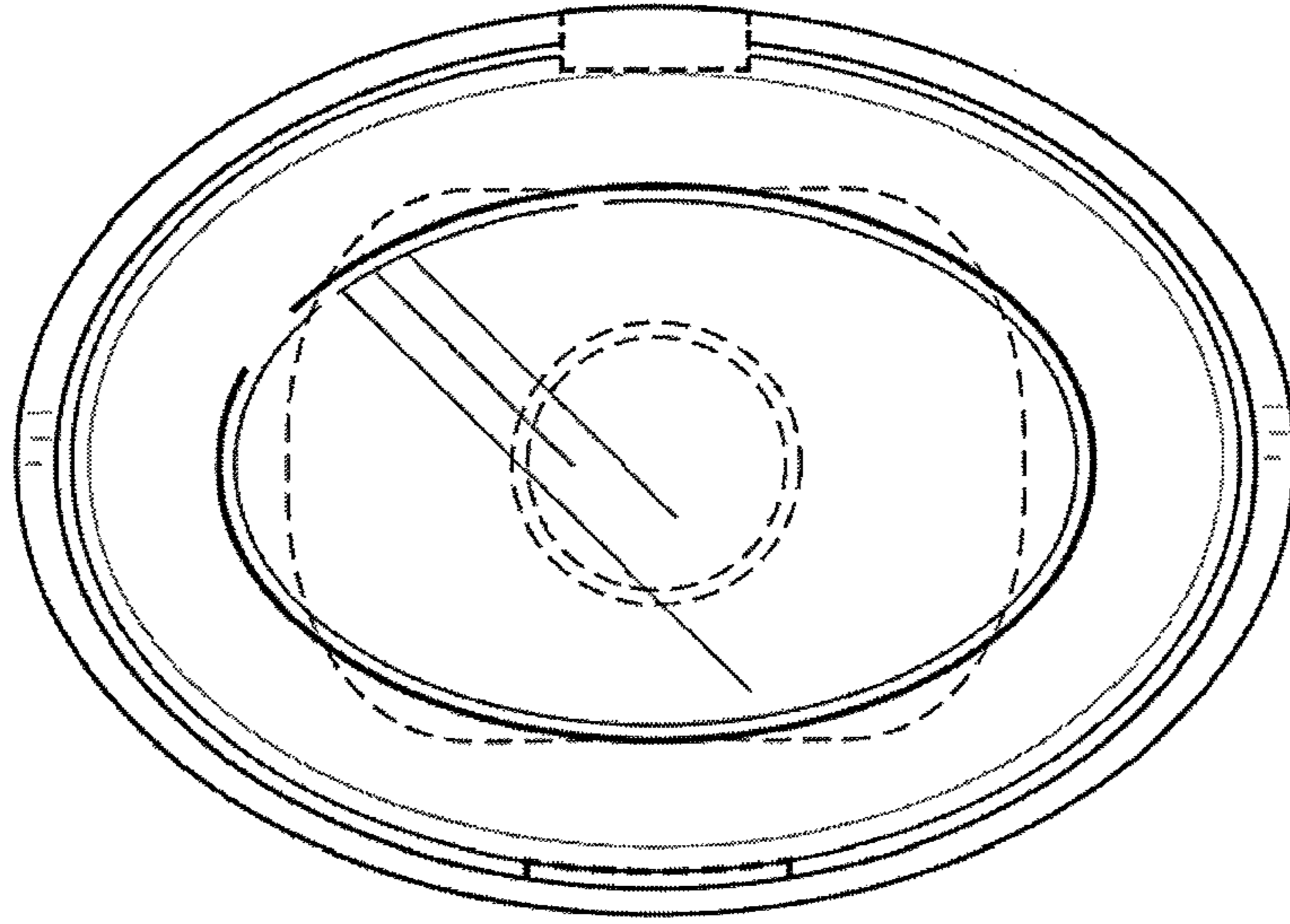


FIG. 13

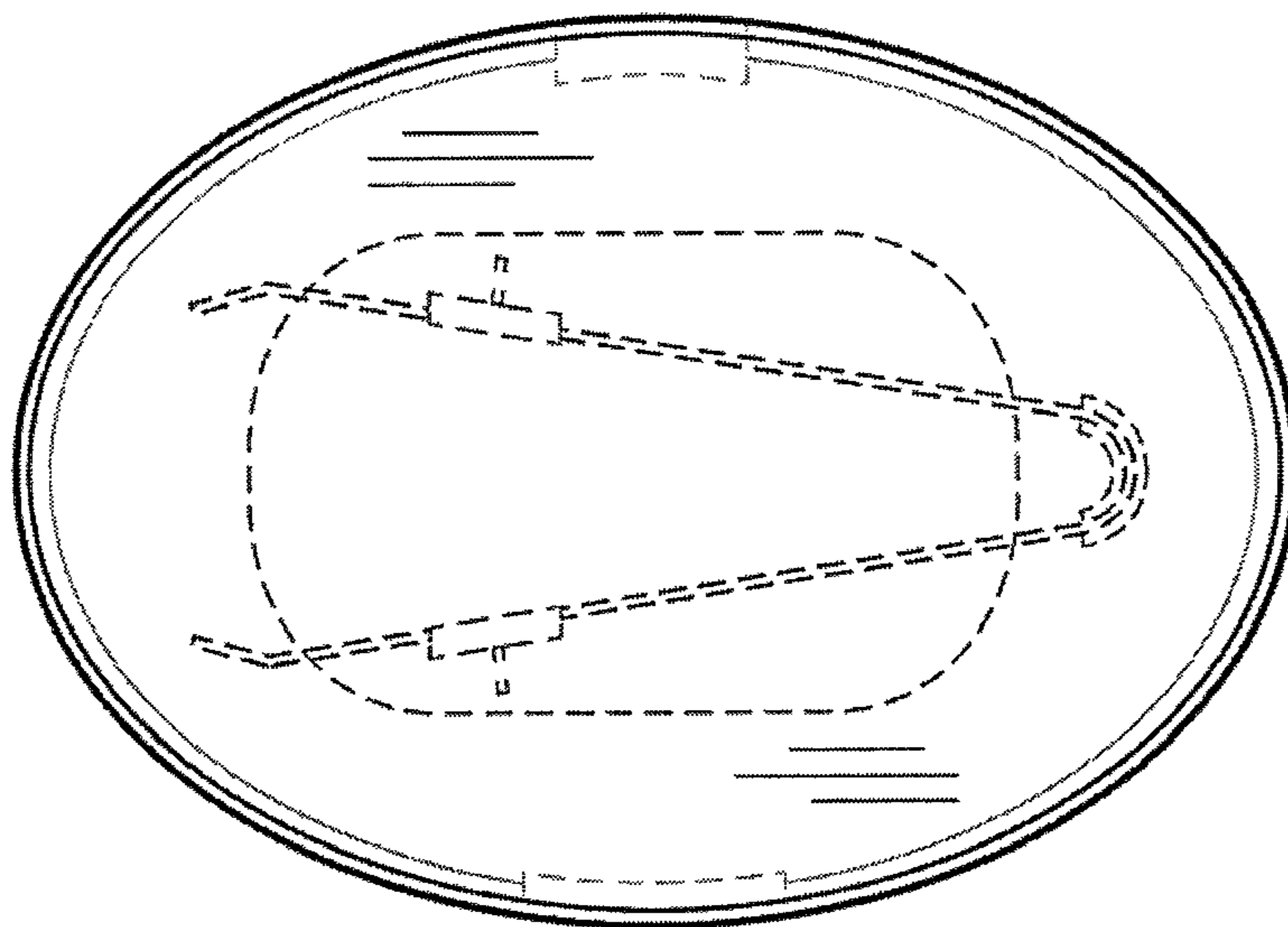


FIG. 14

