



US00D691879S

(12) **United States Design Patent**  
**Bernard**

(10) **Patent No.:** **US D691,879 S**  
(45) **Date of Patent:** **\*\* Oct. 22, 2013**

(54) **MAGNETIC FASTENER**

(76) Inventor: **Robina Bernard**, Brantford (CA)

(\*\*) Term: **14 Years**

(21) Appl. No.: **29/371,823**

(22) Filed: **Oct. 17, 2011**

(51) **LOC (9) Cl.** ..... **08-08**

(52) **U.S. Cl.**  
USPC ..... **D8/382**

(58) **Field of Classification Search**  
USPC ..... D8/382, 349, 354; D11/220; 296/191;  
248/203.5, 309.4

See application file for complete search history.

(56) **References Cited**

**U.S. PATENT DOCUMENTS**

D284,263	S	*	6/1986	Resan	.....	D8/382
D284,264	S	*	6/1986	Resan	.....	D8/382
D284,265	S	*	6/1986	Resan	.....	D8/382
D319,201	S	*	8/1991	Aoki	.....	D11/220
D362,176	S	*	9/1995	Solbeck	.....	D8/382
D375,061	S	*	10/1996	Morita	.....	D11/220
D462,256	S	*	9/2002	Jaynes	.....	D8/382

7,207,091	B2	*	4/2007	Dunaye	.....	24/303
D623,045	S	*	9/2010	Moncade et al.	.....	D8/354
8,287,034	B2	*	10/2012	Smith et al.	.....	296/191
D674,273	S	*	1/2013	Yogev	.....	D8/382
8,464,377	B1	*	6/2013	Carson et al.	.....	5/498
8,495,803	B2	*	7/2013	Fiedler	.....	24/303

\* cited by examiner

*Primary Examiner* — Sheryl Lane

(74) *Attorney, Agent, or Firm* — Arne Fors

(57) **CLAIM**

The ornamental design for a magnetic fastener, as shown and described.

**DESCRIPTION**

FIG. 1 is a bottom perspective view of the magnetic fastener;  
FIG. 2 is a top perspective view of the design;  
FIG. 3 is a bottom plan view of the design;  
FIG. 4 is a side elevation taken from the left in FIG. 3;  
FIG. 5 is a top plan view of the design;  
FIG. 6 is an end elevation taken from the top of FIG. 5;  
FIG. 7 is a extended bottom perspective view of the design;  
and,  
FIG. 8 is a extended top perspective view of the design.

**1 Claim, 3 Drawing Sheets**

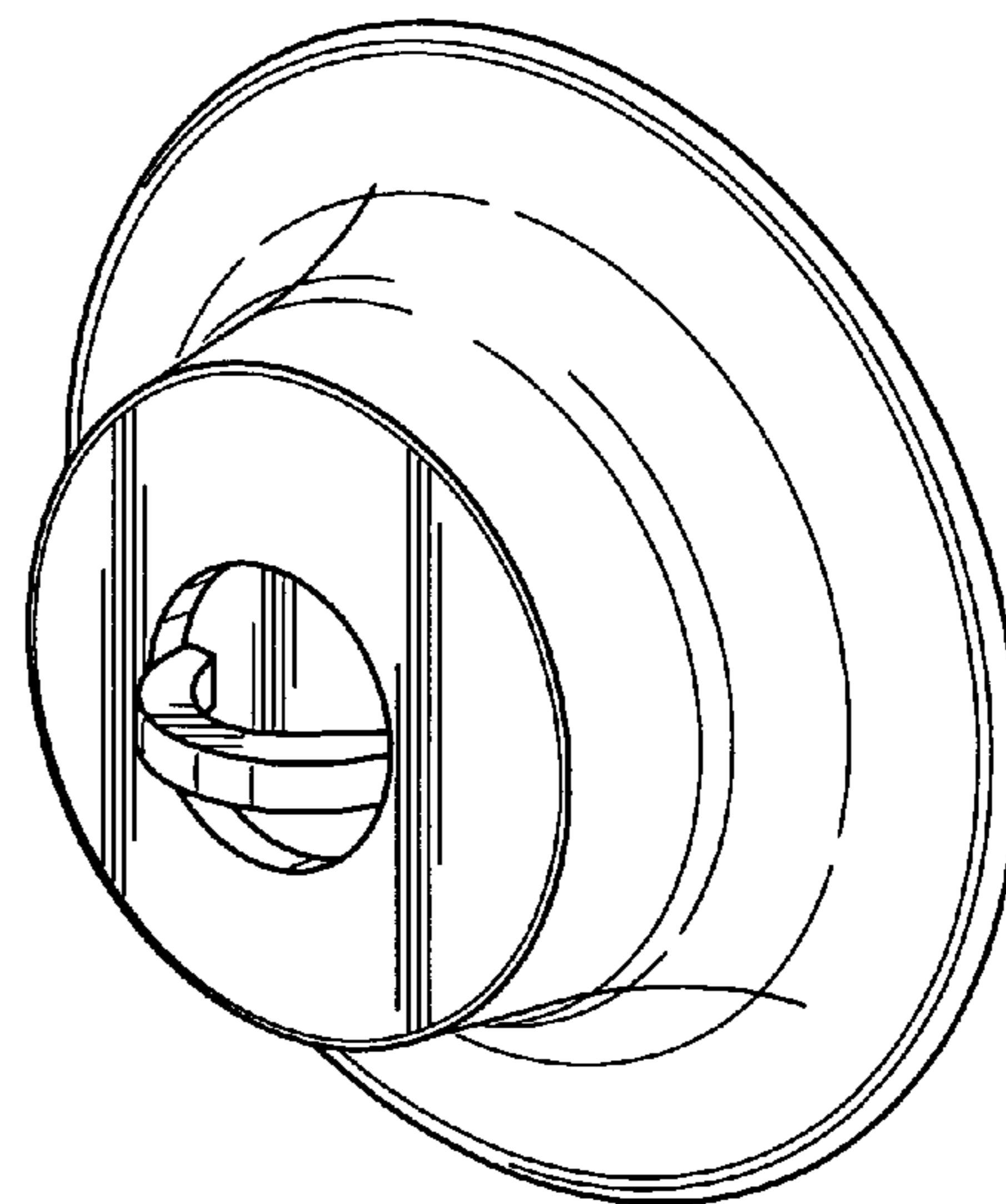
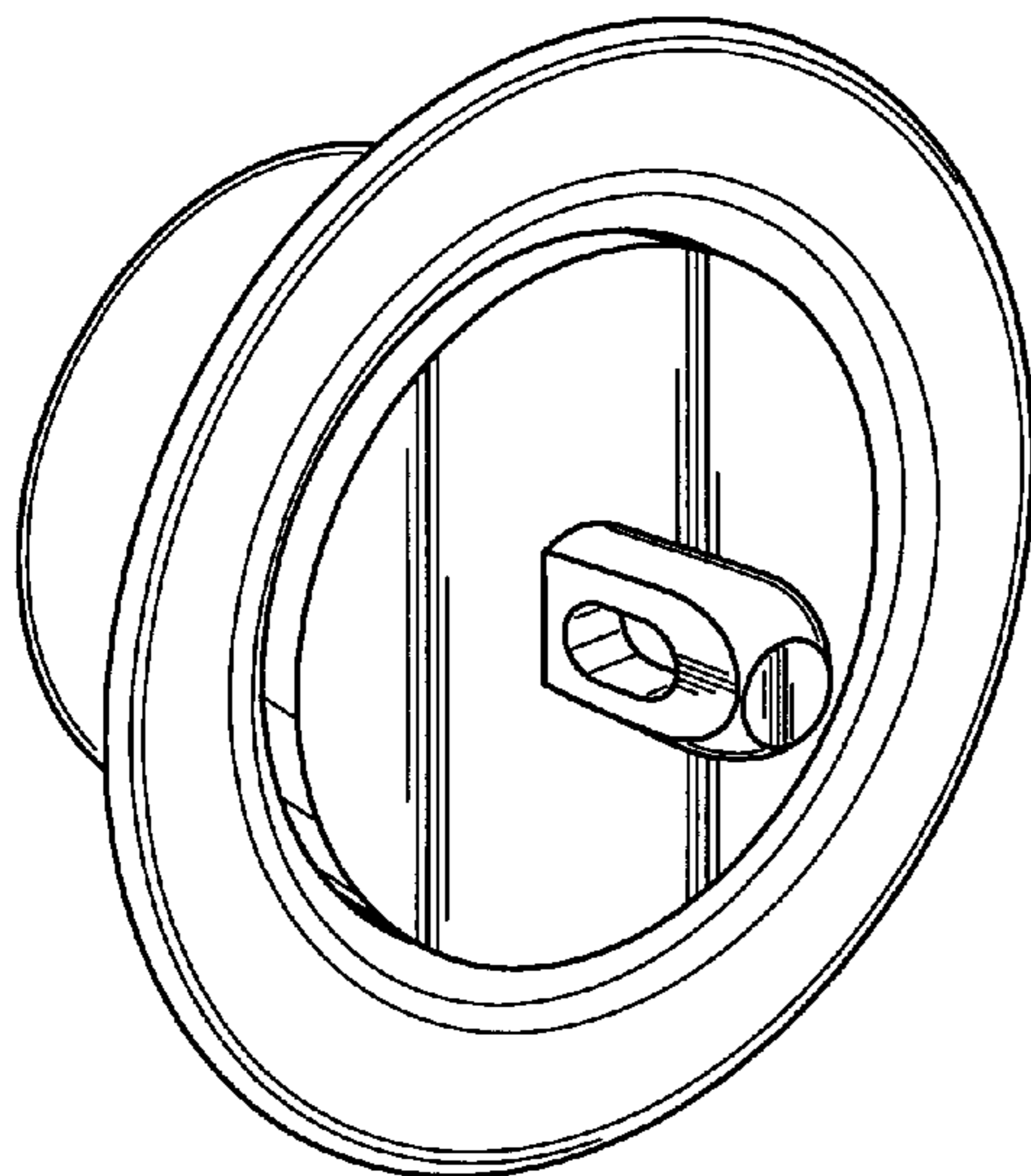


Fig.1

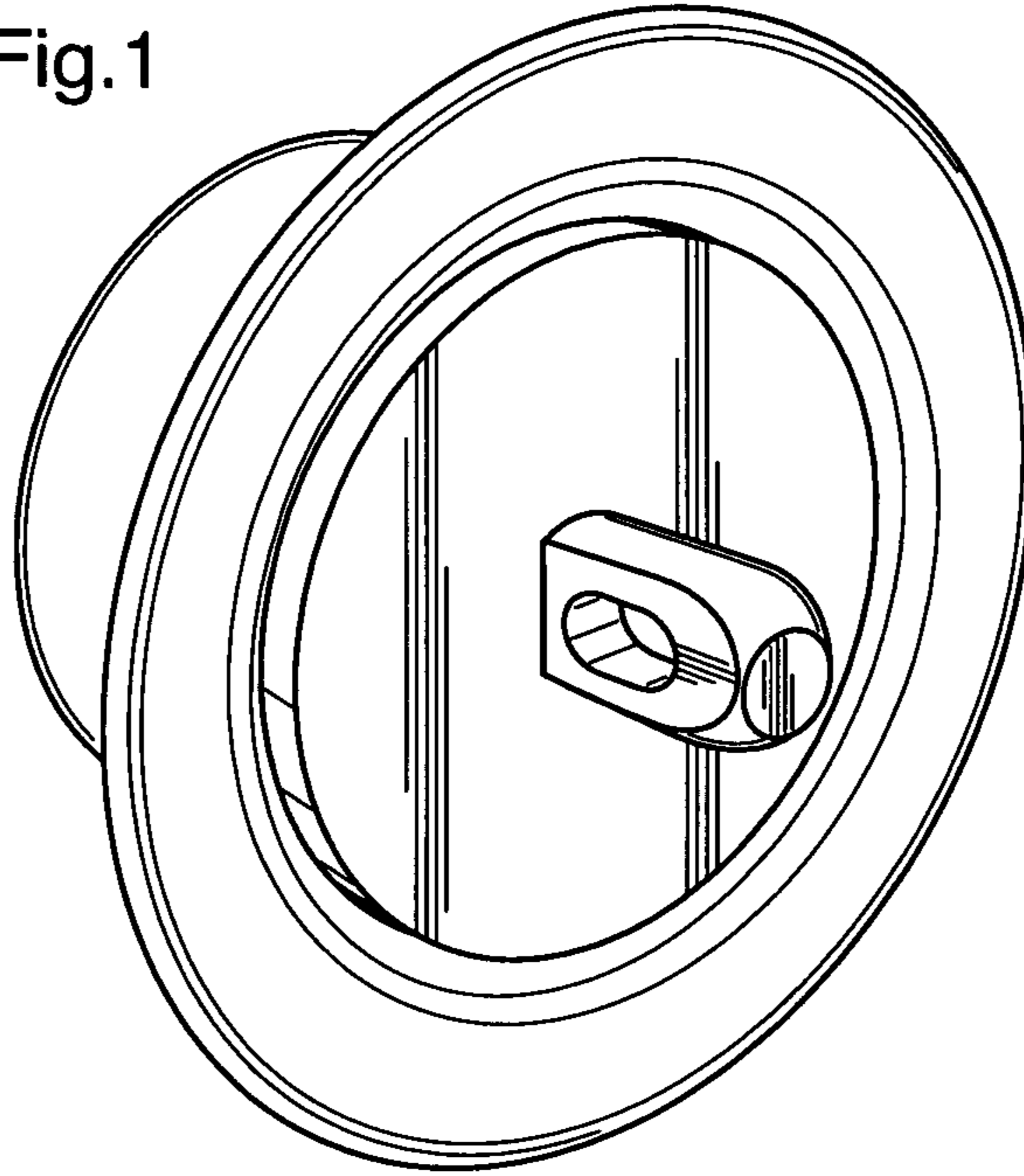


Fig.2

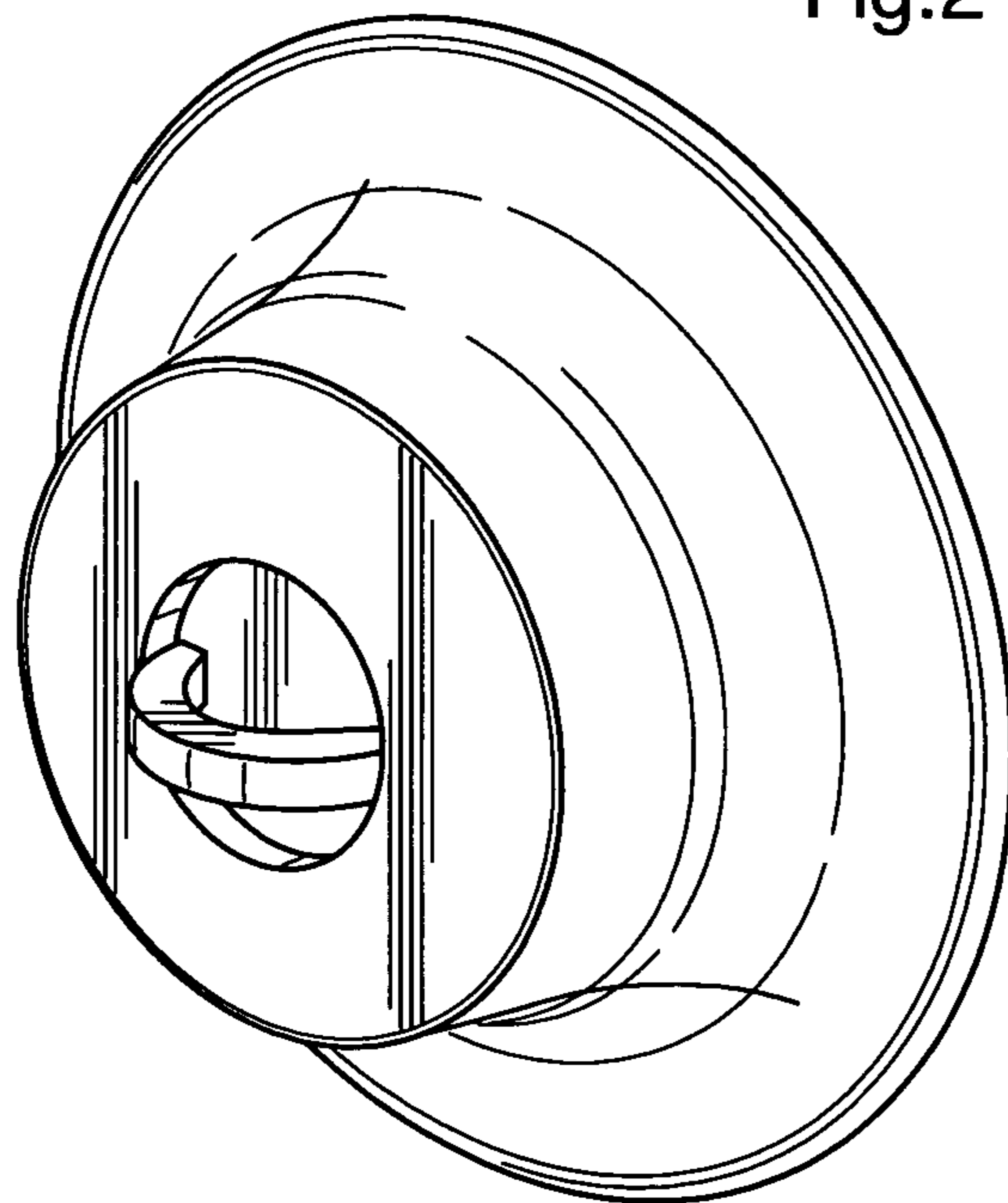


Fig.3

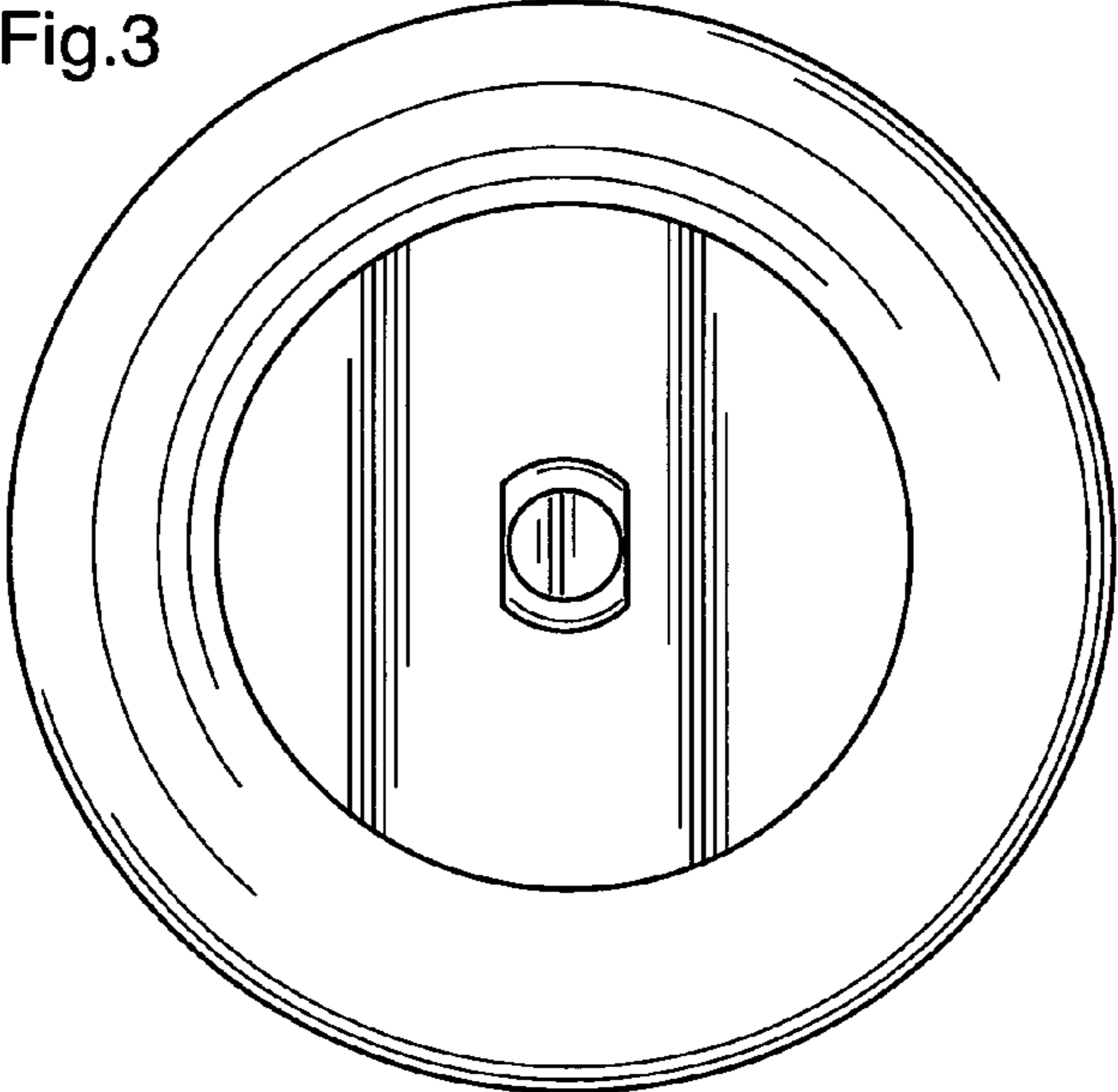


Fig.4

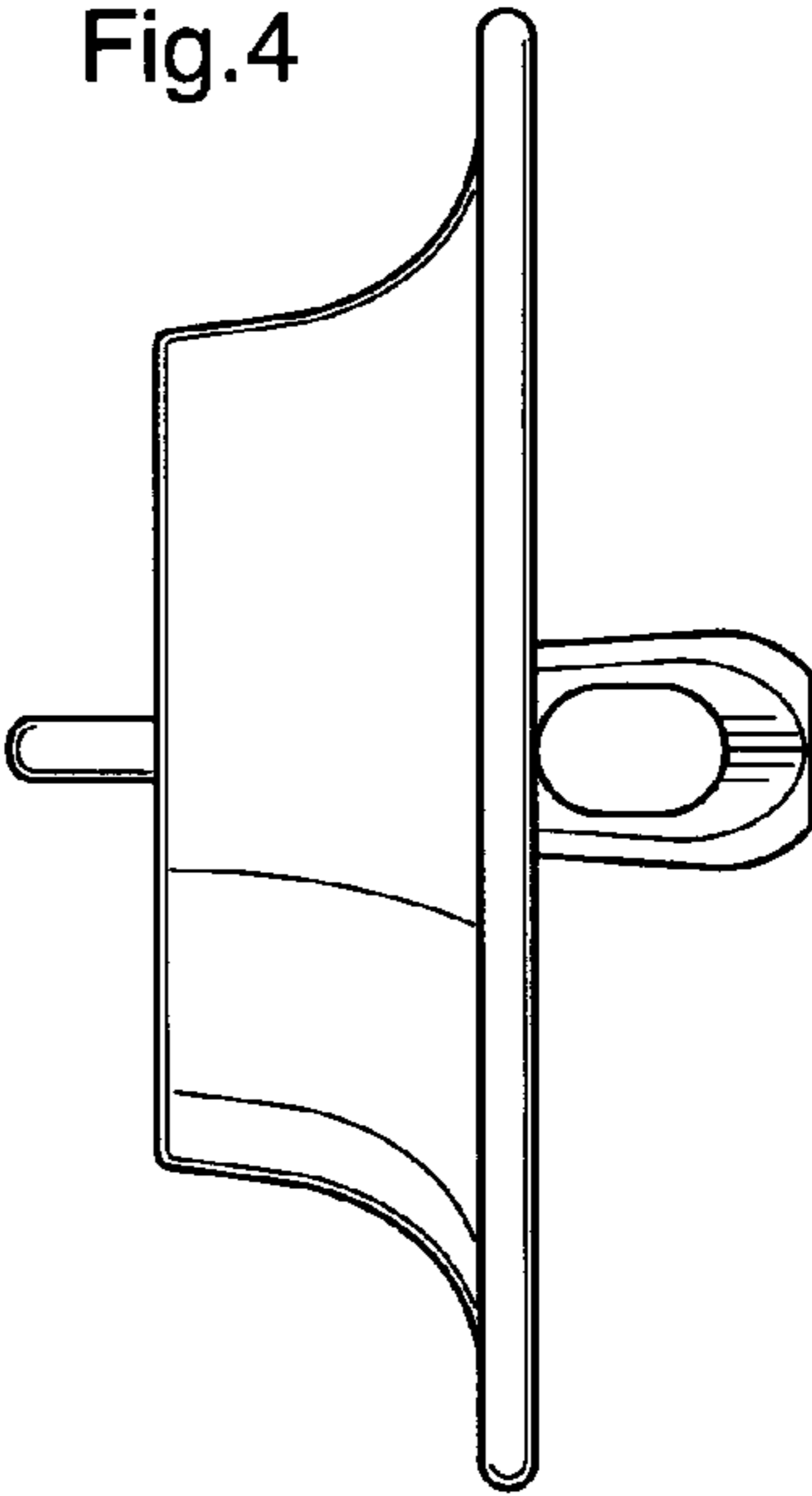


Fig.5

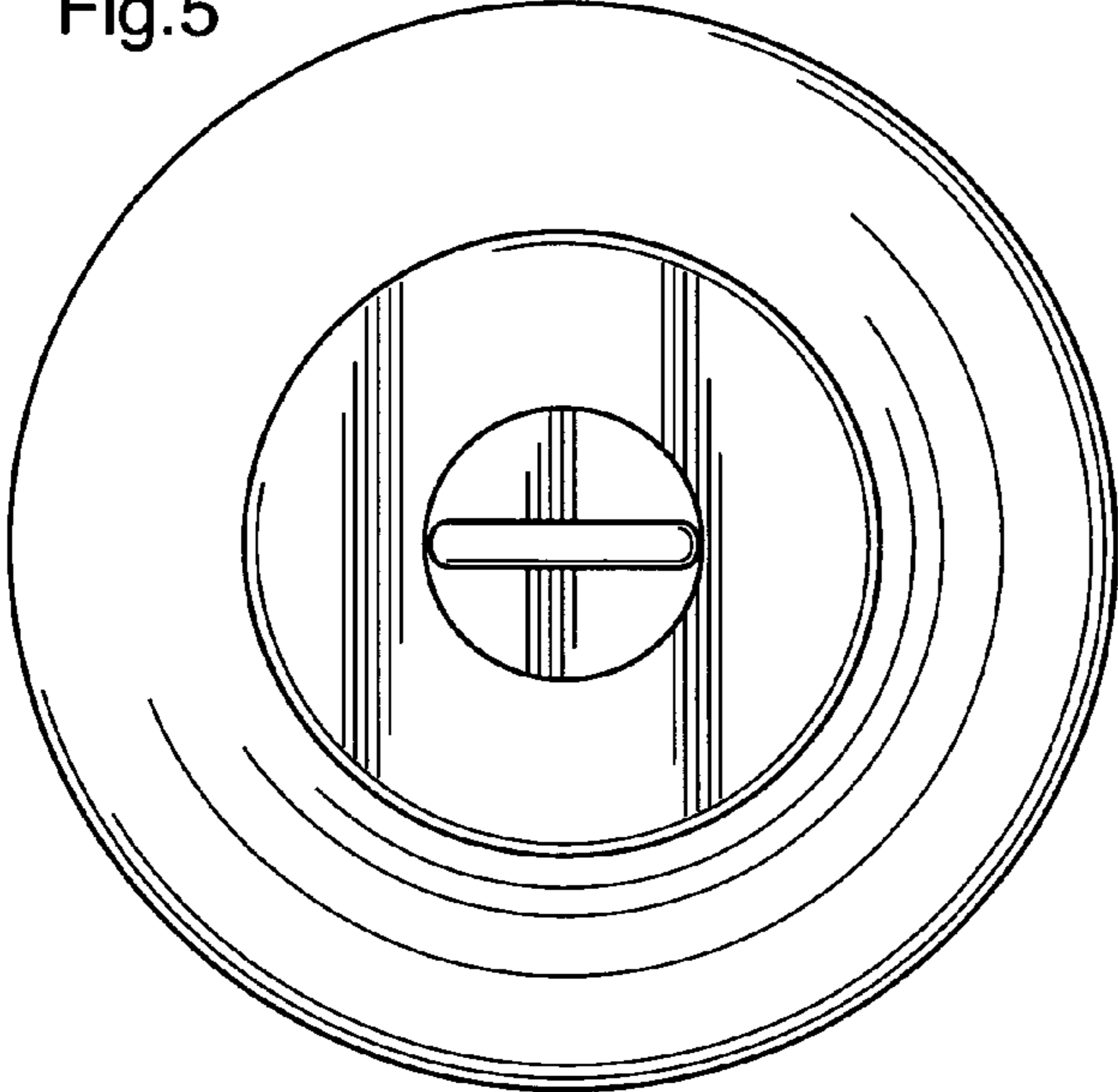


Fig.6

