



US00D691874S

(12) **United States Design Patent**
Ganski

(10) **Patent No.:** **US D691,874 S**

(45) **Date of Patent:** **** Oct. 22, 2013**

(54) **LINE CONSOLIDATION UNIT SPACER**
ROUND

(71) Applicant: **Andrew David Ganski**, Port Charlotte,
FL (US)

(72) Inventor: **Andrew David Ganski**, Port Charlotte,
FL (US)

(**) Term: **14 Years**

(21) Appl. No.: **29/439,375**

(22) Filed: **Dec. 10, 2012**

(51) **LOC (9) Cl.** **08-05**

(52) **U.S. Cl.**
USPC **D8/356**

(58) **Field of Classification Search**
USPC 439/207, 208, 209, 210, 211, 445, 446,
439/447; 248/68.1, 49, 74.4; 385/59, 137;
D8/356, 354, 349, 499; 604/179, 174,
604/93.01, 48, 19

See application file for complete search history.

(56) **References Cited**

U.S. PATENT DOCUMENTS

| | | | | | |
|-----------|-----|---------|-----------------|-------|-----------|
| 450,378 | A * | 4/1891 | Robinson | | 451/461 |
| 1,342,001 | A * | 6/1920 | Schulte | | 429/121 |
| D140,317 | S * | 2/1945 | Allen | | D8/397 |
| 2,790,570 | A * | 4/1957 | Hodges et al. | | 215/260 |
| 3,123,879 | A * | 3/1964 | Boduroff et al. | | 403/217 |
| 3,132,822 | A * | 5/1964 | Arthur | | 242/613.4 |
| 3,308,703 | A * | 3/1967 | Sauer | | 83/676 |
| 3,363,216 | A * | 1/1968 | Benedetto | | 439/147 |
| D308,933 | S * | 7/1990 | Hube et al. | | D8/356 |
| 5,027,478 | A * | 7/1991 | Suhr | | 24/16 R |
| 5,046,899 | A * | 9/1991 | Nishi | | 407/102 |
| D340,942 | S * | 11/1993 | Smith | | D17/99 |

| | | | | | |
|-----------|-----|---------|--------------------|-------|---------|
| D358,545 | S * | 5/1995 | Price | | D8/356 |
| D372,419 | S * | 8/1996 | Ikegami | | D8/382 |
| 5,702,845 | A * | 12/1997 | Kawakami et al. | | 429/224 |
| D395,815 | S * | 7/1998 | Walters et al. | | D8/354 |
| 5,901,930 | A * | 5/1999 | Harrel | | 248/51 |
| D428,325 | S * | 7/2000 | van Dreumel et al. | | D8/354 |
| D526,885 | S * | 8/2006 | Kelleghan | | D8/356 |
| D559,080 | S * | 1/2008 | Boote | | D8/354 |
| D568,722 | S * | 5/2008 | King | | D8/354 |
| D587,101 | S * | 2/2009 | Morgan | | D8/356 |
| D587,102 | S * | 2/2009 | Morgan | | D8/356 |
| D597,403 | S * | 8/2009 | Ho et al. | | D8/396 |
| D613,412 | S * | 4/2010 | DeCarlo | | D24/186 |
| D619,940 | S * | 7/2010 | Strang | | D12/159 |
| D620,781 | S * | 8/2010 | Weckworth | | D8/356 |
| D628,218 | S * | 11/2010 | Tommassini | | D15/138 |
| D655,598 | S * | 3/2012 | Hsu | | D8/356 |
| D674,271 | S * | 1/2013 | Rodwin | | D8/356 |
| D680,419 | S * | 4/2013 | Green et al. | | D8/354 |

* cited by examiner

Primary Examiner — Cynthia Underwood
(74) *Attorney, Agent, or Firm* — Bursum Patent Law PL;
Kimberly S. Bursum

(57) **CLAIM**

The ornamental design for a line consolidation unit spacer round, as shown.

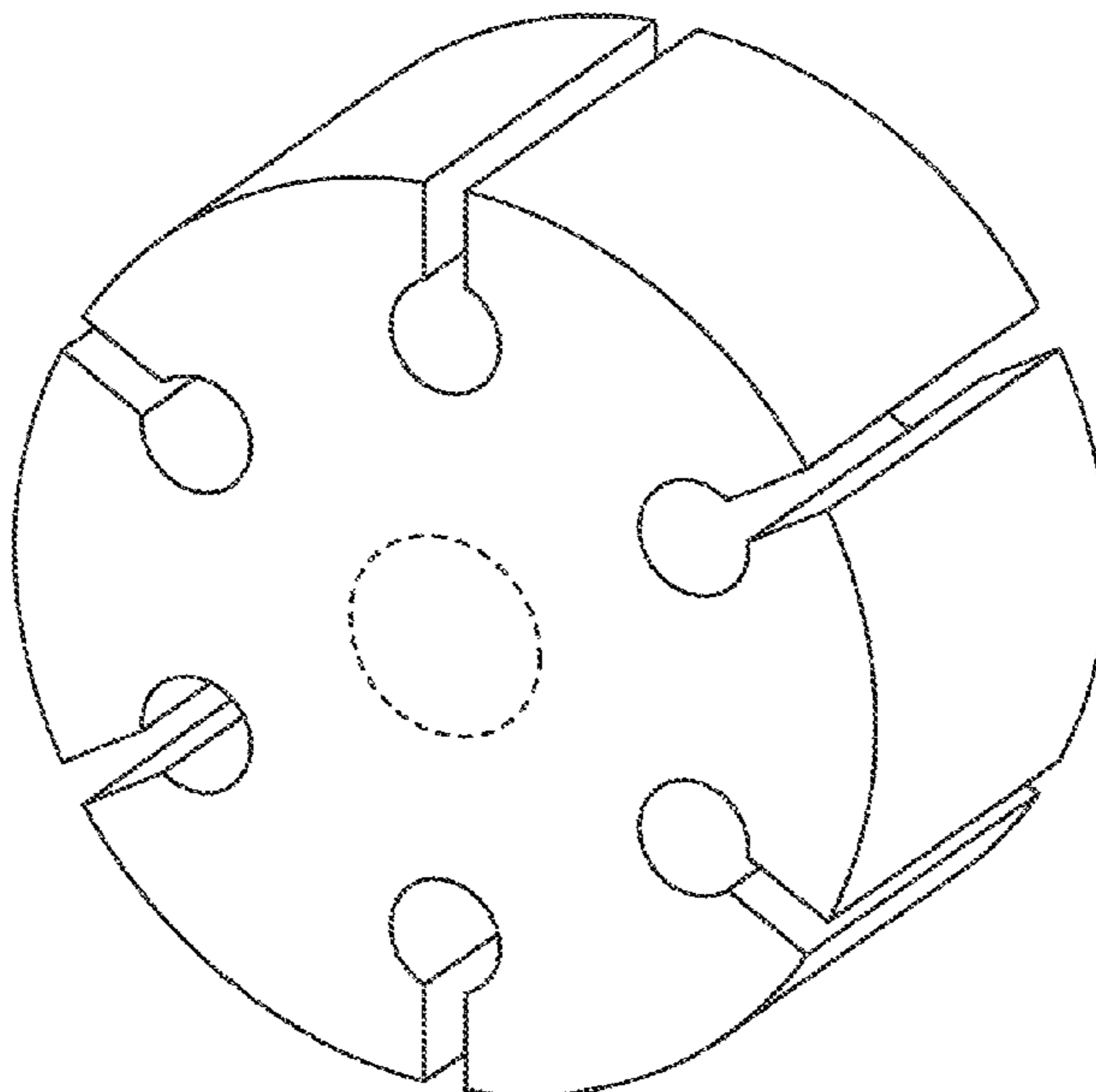
DESCRIPTION

Utility Patent Application filed today entitled “Consolidation and Organization of Intravenous Lines to Improve Patient Mobility.”

The sole FIGURE is a front perspective view of the line consolidation unit spacer round.

The broken lines are included for illustrative purposes only and form no part of the claim.

1 Claim, 1 Drawing Sheet



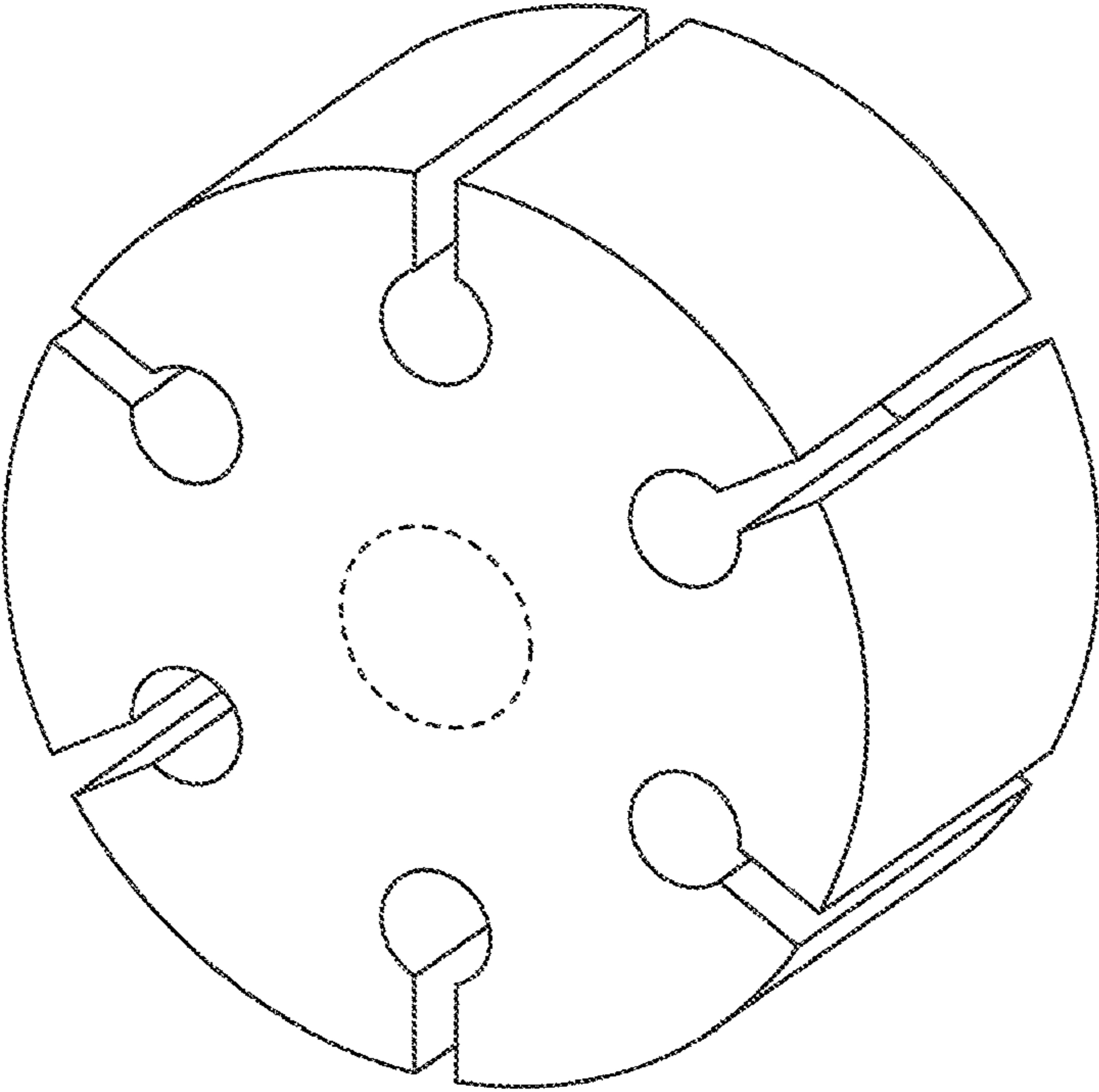


FIG. 1