



US00D691872S

(12) **United States Design Patent**
Lytle

(10) **Patent No.:** **US D691,872 S**
(45) **Date of Patent:** **** Oct. 22, 2013**

- (54) **CRIB**
- (75) Inventor: **Alan Lytle**, Campbellsburg, IN (US)
- (73) Assignee: **Foundations Worldwide, Inc.**, Medina, OH (US)
- (**) Term: **14 Years**
- (21) Appl. No.: **29/388,949**
- (22) Filed: **Apr. 5, 2011**
- (51) **LOC (9) Cl.** **08-08**
- (52) **U.S. Cl.**
USPC **D8/349**; D8/354; D6/390; D6/718.26
- (58) **Field of Classification Search**
USPC D8/349, 354, 380, 382, 366, 363, 371, D8/373, 376; 248/300, 237, 309.1, 200, 248/205.1, 207, 214, 235, 247, 351, 248/220.41; 52/188, 182, 191, 702, 712, 52/745.06, 189, 506.5, 586.1; 29/428, 29/525.01, 464; 249/14, 205, 208; 403/167, 169; 211/86.01, 90.01, 105.1, 211/193, 134; 108/152; 40/642.02; D12/400, 223, 159; D15/21, 28; D6/512, 682.5, 688.14, 688.15, 702
See application file for complete search history.

D445,591	S	*	7/2001	Zorzetto	D6/390
D460,633	S	*	7/2002	Shamie	D6/390
D463,251	S	*	9/2002	Shea	D8/354
D476,217	S	*	6/2003	Shea	D8/354
D574,222	S	*	8/2008	Golias et al.	D8/349
D595,073	S		6/2009	Houry et al.		
D621,692	S	*	8/2010	Clarke	D8/354
D638,280	S	*	5/2011	Mcalonan	D8/349
D646,078	S		10/2011	Shih		
D661,138	S	*	6/2012	Lytle	D6/503
2009/0133191	A1		5/2009	Harrow		

OTHER PUBLICATIONS

Crawler, LLC; web page: "markchick.com/site/scaffold/scaffold_100series.htm"; Mar. 31, 2011.

* cited by examiner

Primary Examiner — Mark Goodwin
(74) *Attorney, Agent, or Firm* — Christopher L. Parmelee; Walker & Jocke

(57) **CLAIM**
The ornamental design for a crib, as shown and described.

DESCRIPTION

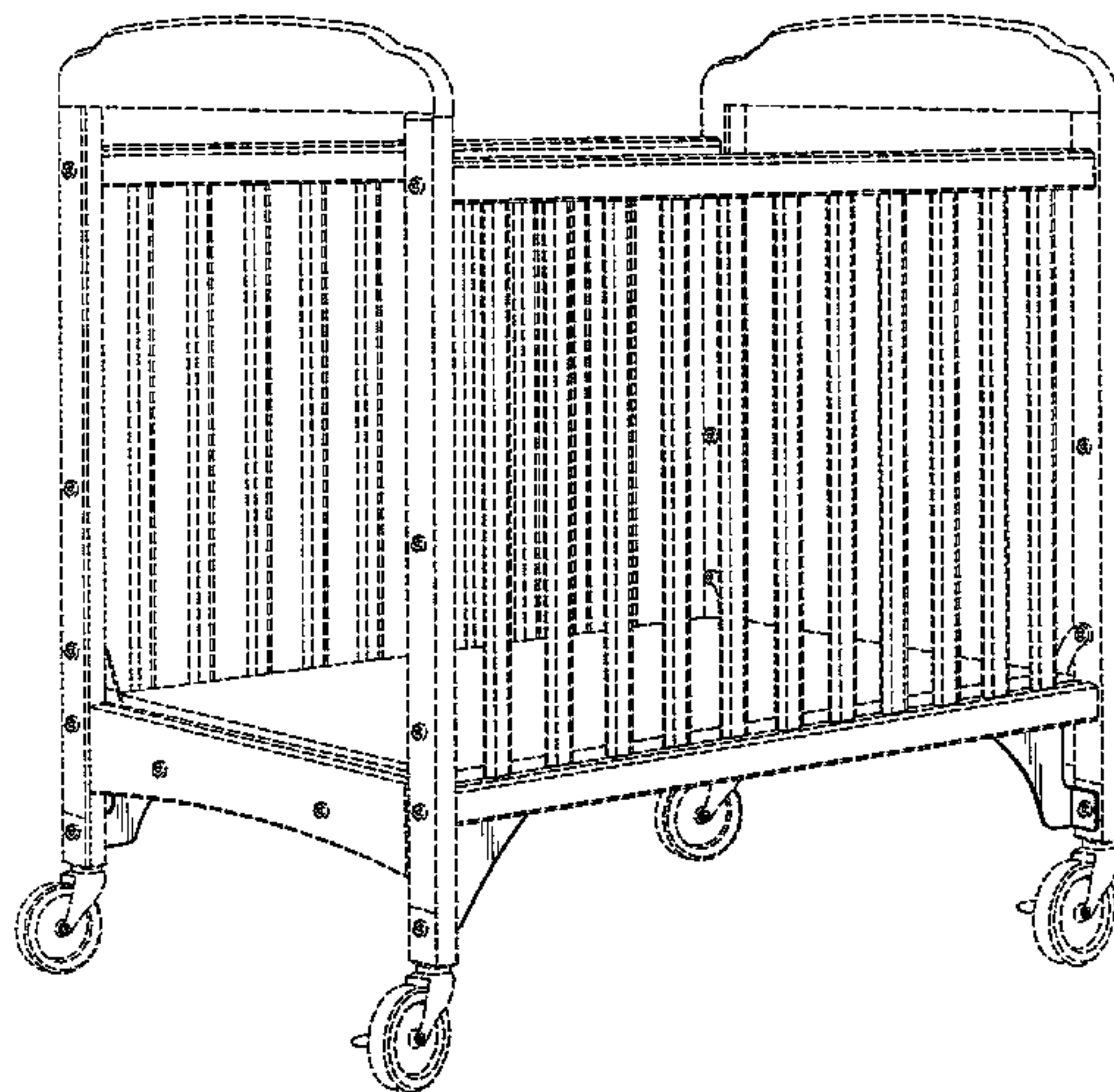
FIG. 1 is an upper perspective view of a crib showing my new design.
FIG. 2 is a lower perspective view thereof.
FIG. 3 is front side plan view thereof, the back side being a mirror image.
FIG. 4 is a right side plan view thereof, the left side being a mirror image.
FIG. 5 is a top side plan view thereof; and,
FIG. 6 is a bottom side plan view thereof.
The broken lines adjacent the shaded areas represent the boundaries of the claimed design, while the other broken lines representing the outline of portions of the crib depict environmental subject matter only, and form no part of the claimed design.

1 Claim, 6 Drawing Sheets

(56) **References Cited**

U.S. PATENT DOCUMENTS

1,391,103	A	*	9/1921	Foster	5/100
D162,804	S		4/1951	Feldman		
3,795,022	A		3/1974	Harris		
D296,931	S		7/1988	Harris et al.		
D306,133	S	*	2/1990	Zupancic	D8/354
D331,159	S		11/1992	Bueno		
5,243,726	A		9/1993	Bisbee		
D375,718	S	*	11/1996	Lazzeroni et al.	D12/223
D376,751	S	*	12/1996	Hanson et al.	D8/354
D412,624	S		8/1999	Bergenwall		
D422,483	S	*	4/2000	Shea	D8/354



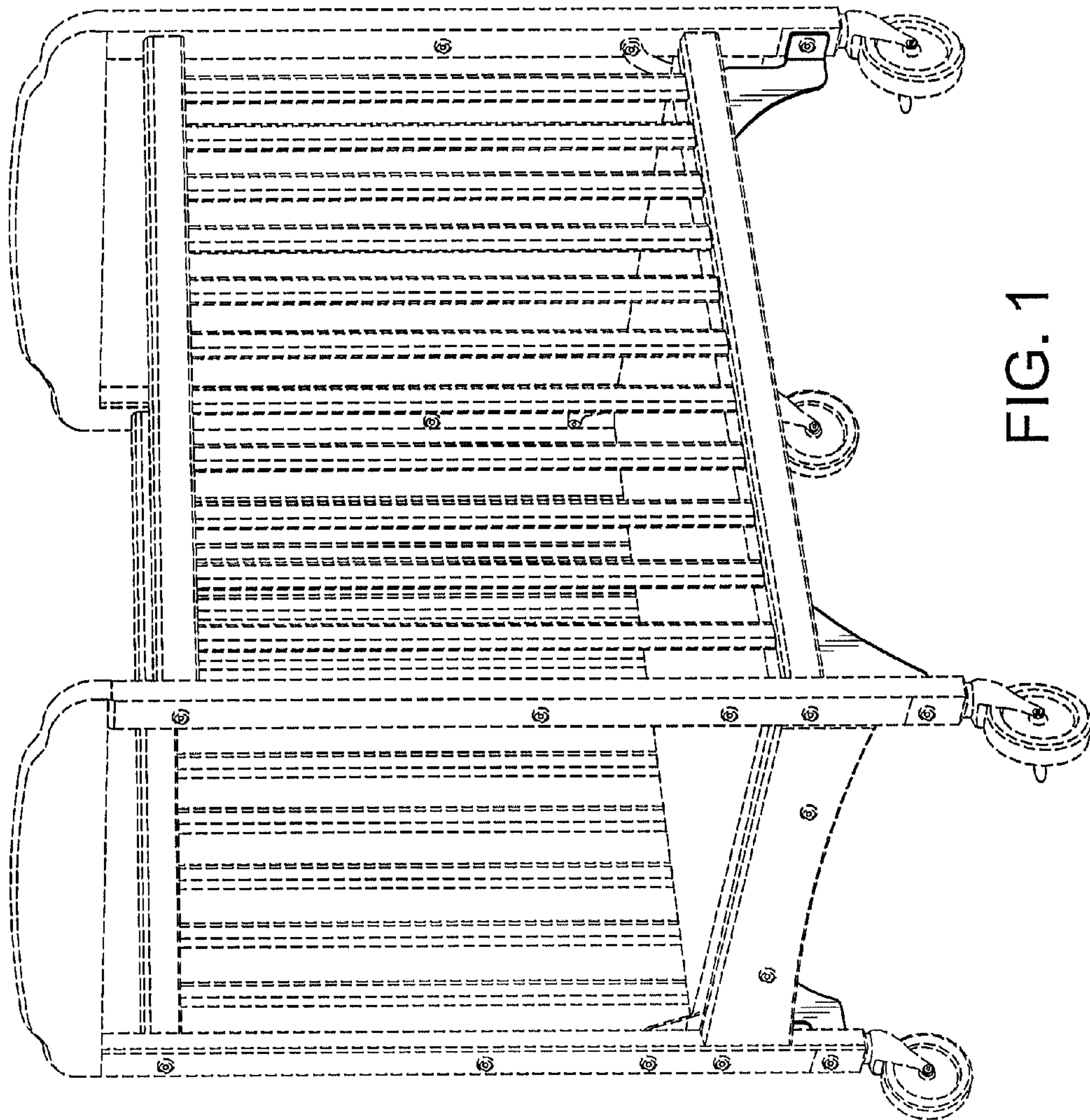


FIG. 1

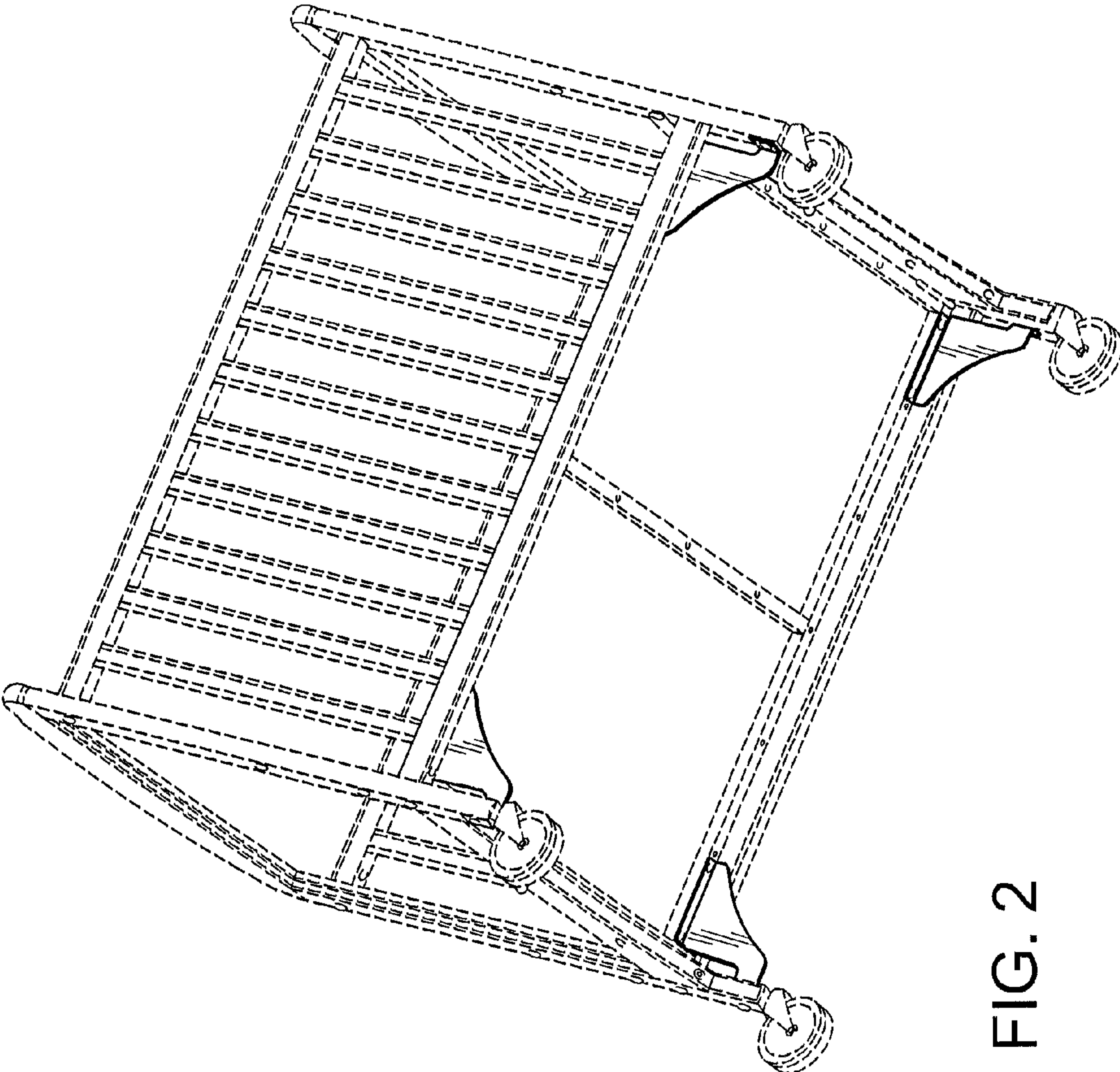


FIG. 2

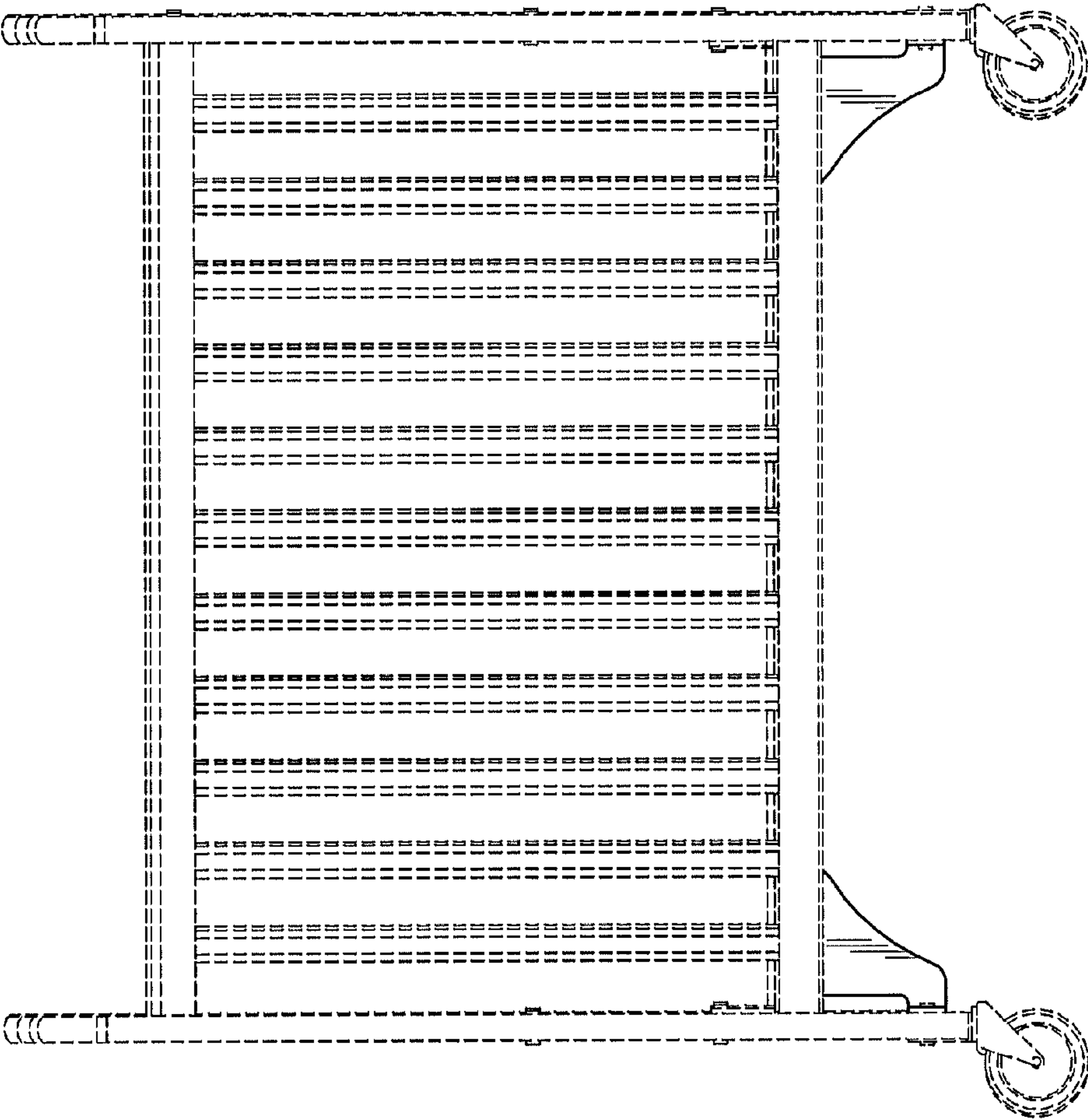


FIG. 3

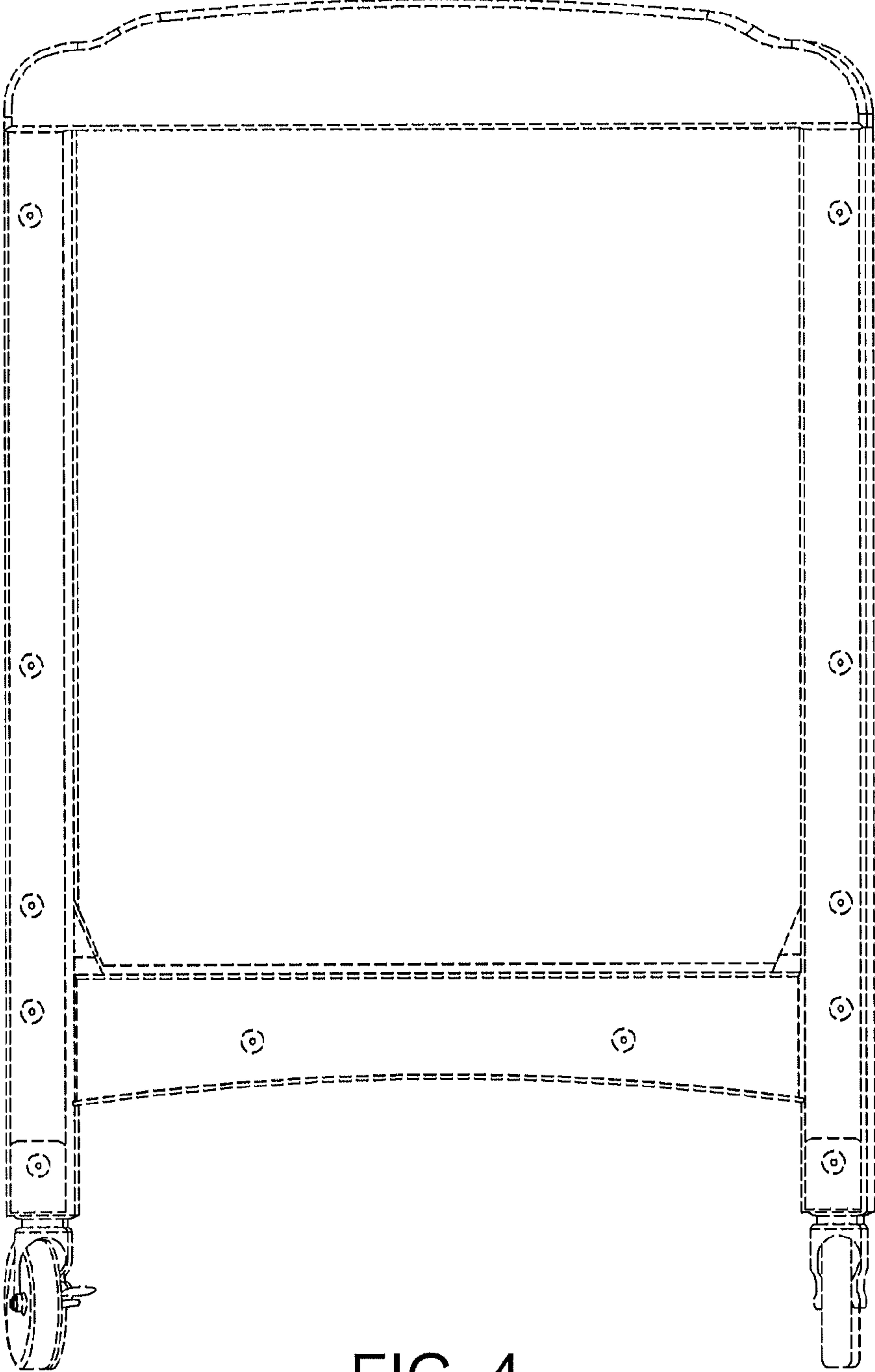


FIG. 4

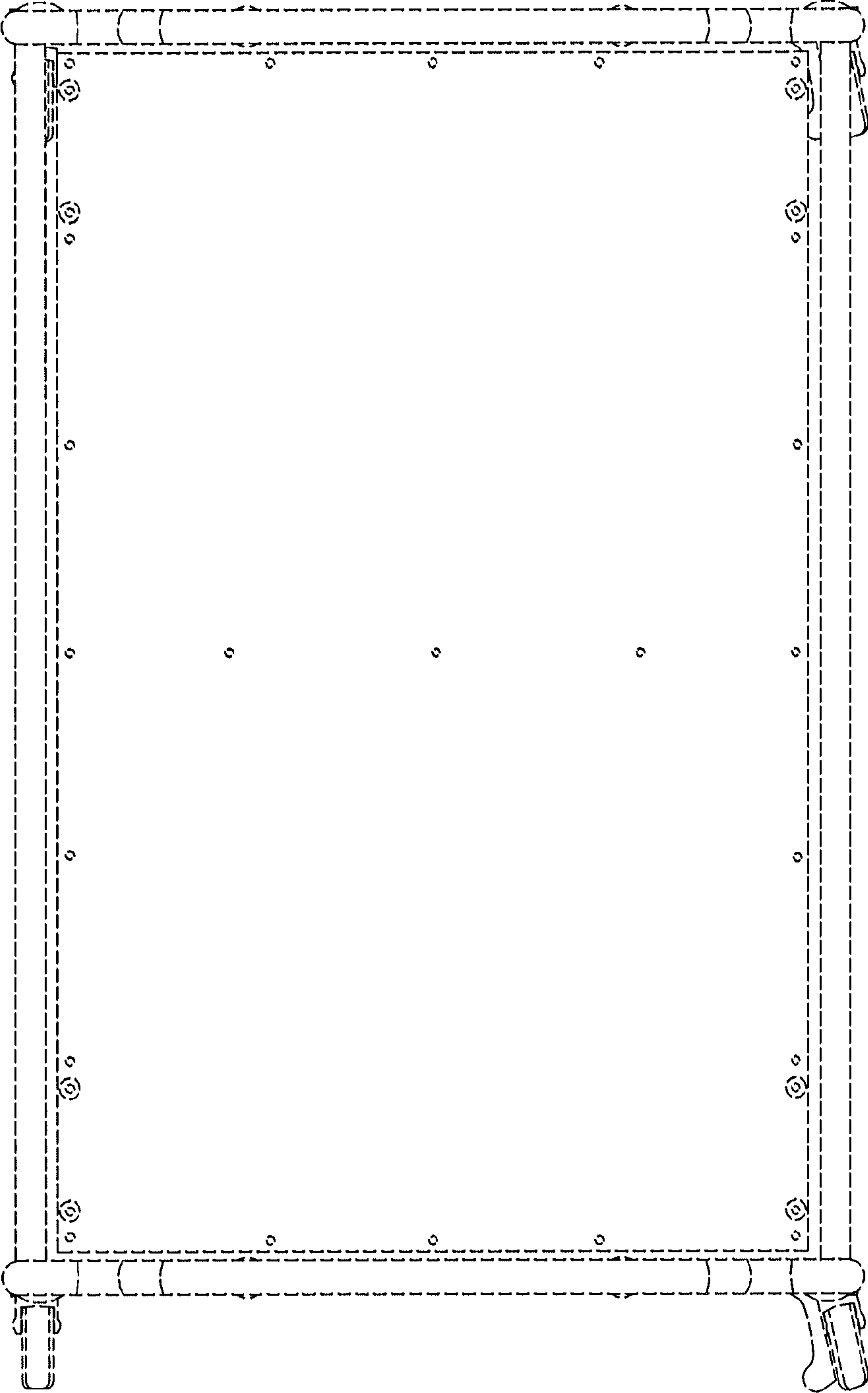


FIG. 5

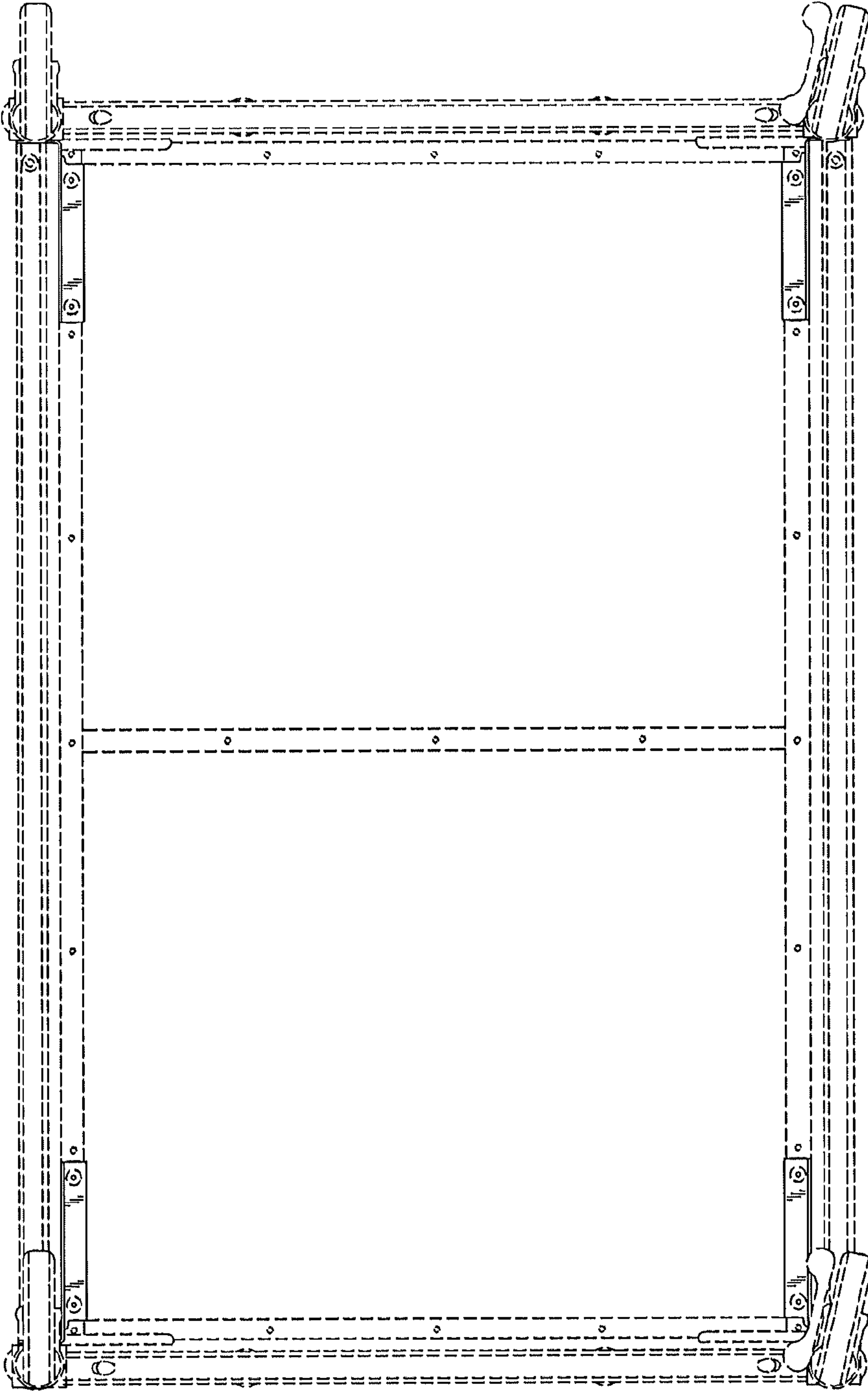


FIG. 6