



US00D691871S

(12) **United States Design Patent**
Wang

(10) **Patent No.:** **US D691,871 S**
(45) **Date of Patent:** **** Oct. 22, 2013**

(54) **LOCK**
(75) Inventor: **Chia-Hung Wang**, Chung-Ho (TW)
(73) Assignee: **Sinox Company Limited**, New Taipei (TW)
(**) Term: **14 Years**

6,530,248 B1 3/2003 Parker
D481,925 S 11/2003 Ling
D486,721 S 2/2004 Ling
6,718,803 B2 * 4/2004 Knoll 70/26
6,877,345 B1 4/2005 Misner et al.
6,880,370 B2 4/2005 Yu
D515,908 S 2/2006 Kearns et al.
6,993,943 B1 2/2006 Chang

(Continued)

(21) Appl. No.: **29/422,553**

OTHER PUBLICATIONS

(22) Filed: **May 22, 2012**

Fullyear-Brother Enterprise Co., Ltd.; Product Information Sheet for TSA Lock; 2011; <http://www.fullyear.com/newproduct/asp>; 2 pages.

(51) **LOC (9) Cl.** **08-07**

(Continued)

(52) **U.S. Cl.**
USPC **D8/334**; D8/343

(58) **Field of Classification Search**
USPC D8/330, 331, 334, 333, 335, 339;
70/20, 24-29, 31, 35, 38 R, 40-48, 14
See application file for complete search history.

Primary Examiner — Prabhakar Deshmukh
(74) *Attorney, Agent, or Firm* — Calfee, Halter & Griswold LLP

(56) **References Cited**

(57) **CLAIM**
I claim the ornamental design for a lock, as shown and described.

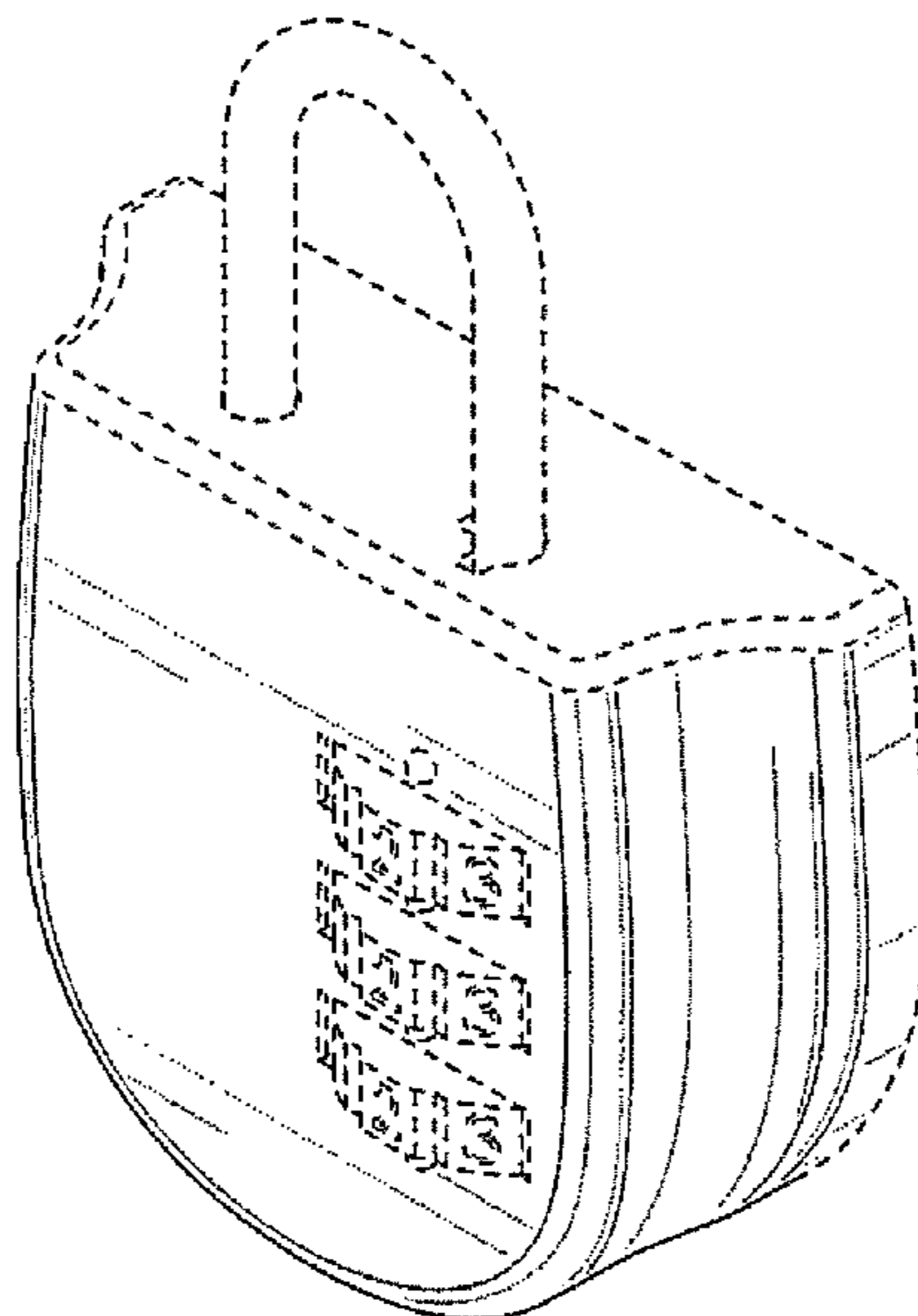
U.S. PATENT DOCUMENTS

DESCRIPTION

- D99,554 S 5/1936 Sleymaker
- D143,246 S 12/1945 Soref
- 3,750,431 A 8/1973 Atkinson
- 3,841,118 A 10/1974 Stone
- 3,952,559 A * 4/1976 Atkinson 70/25
- 5,572,890 A * 11/1996 Carpenter 70/371
- D388,687 S * 1/1998 Chen D8/334
- D393,544 S 4/1998 Ling
- D436,015 S 1/2001 Yu
- 6,192,720 B1 2/2001 Kan
- 6,227,016 B1 5/2001 Yu
- D450,560 S 11/2001 Yu
- D457,802 S 5/2002 Meekma et al.
- 6,389,854 B1 5/2002 Huang
- 6,434,981 B2 8/2002 Fantl et al.
- D469,332 S 1/2003 Meekma et al.

FIG. 1 is a front perspective view of a lock of the new design; FIG. 2 is a front elevational view of the lock of FIG. 1; FIG. 3 is a rear elevational view of the lock of FIG. 1; FIG. 4 is a right side elevational view of the lock of FIG. 1; FIG. 5 is a left side elevational view of the lock of FIG. 1; FIG. 6 is a top plan view of the lock of FIG. 1; and, FIG. 7 is a bottom plan view of the lock of FIG. 1. The portions of the Figures shown in broken lines are for illustrative purpose only and form no part of the claimed design.

1 Claim, 5 Drawing Sheets



(56)

References Cited

U.S. PATENT DOCUMENTS

D535,177	S	1/2007	Hsieh	
7,155,944	B1	1/2007	Lin	
D540,149	S	4/2007	Tollefson	
D548,043	S *	8/2007	Yang	D8/334
D557,106	S	12/2007	Kuwayama	
D575,626	S	8/2008	Basche et al.	
7,424,812	B2 *	9/2008	Loughlin et al.	70/56
7,426,841	B2 *	9/2008	Yang	70/63
D582,753	S	12/2008	Basche et al.	
D590,695	S *	4/2009	Wu	D8/334
D630,260	S *	1/2011	Cole et al.	D21/483
D637,888	S	5/2011	Zheng	
8,047,027	B2 *	11/2011	Loughlin et al.	70/21
D658,969	S *	5/2012	Cooper	D8/334
D662,394	S *	6/2012	Schmidt et al.	D8/334
D668,929	S	10/2012	Schmidt et al.	
D674,266	S	1/2013	Misner et al.	
D678,751	S	3/2013	Schmidt et al.	

OTHER PUBLICATIONS

Fullyear-Brother Enterprise Co., Ltd.: Product Information Sheet for TSA Indicator Lock; 2011; <http://www.fullyear.com/Product.asp?SID=108>; 1 page.

Fullyear-Brother Enterprise Co., Ltd.: Product Information Sheet for TSA Pad Lock; 2011; <http://www.fullyear.com/Product.asp?SID=18>; 1 page.

Fullyear-Brother Enterprise Co., Ltd.: Product Information Sheet for TSA ID Tag Lock; 2011; <http://www.fullyear.com/Product.asp?SID=109>; 1 page.

Fullyear-Brother Enterprise Co., Ltd.: Product Information Sheet for TSA Cable Lock; 2011; <http://www.fullyear.com/Product.asp?SID=15>; 1 page.

Fullyear-Brother Enterprise Co., Ltd.: Product Information Sheet for TSA Key Lock; 2011; <http://www.fullyear.com/Product.asp?SID=16>; 1 page.

Fullyear-Brother Enterprise Co., Ltd.: Product Information Sheet for TSA Zipper Lock; 2011; <http://www.fullyear.com/Product.asp?SID=19>; 1 page.

Fullyear-Brother Enterprise Co., Ltd.: Product Information Sheet for TSA Luggage Strap Lock; 2011; <http://www.fullyear.com/Product.asp?SID=110>; 1 page.

Welcome to the World of Sinox Locks; TSA Locks, Luggage Locks, Bicycle Locks, Computer Locks, Hardware Security Locks; Product Data Sheets; <http://www.sinoxlock.com/product/search>; 2009; 9 pages.

* cited by examiner

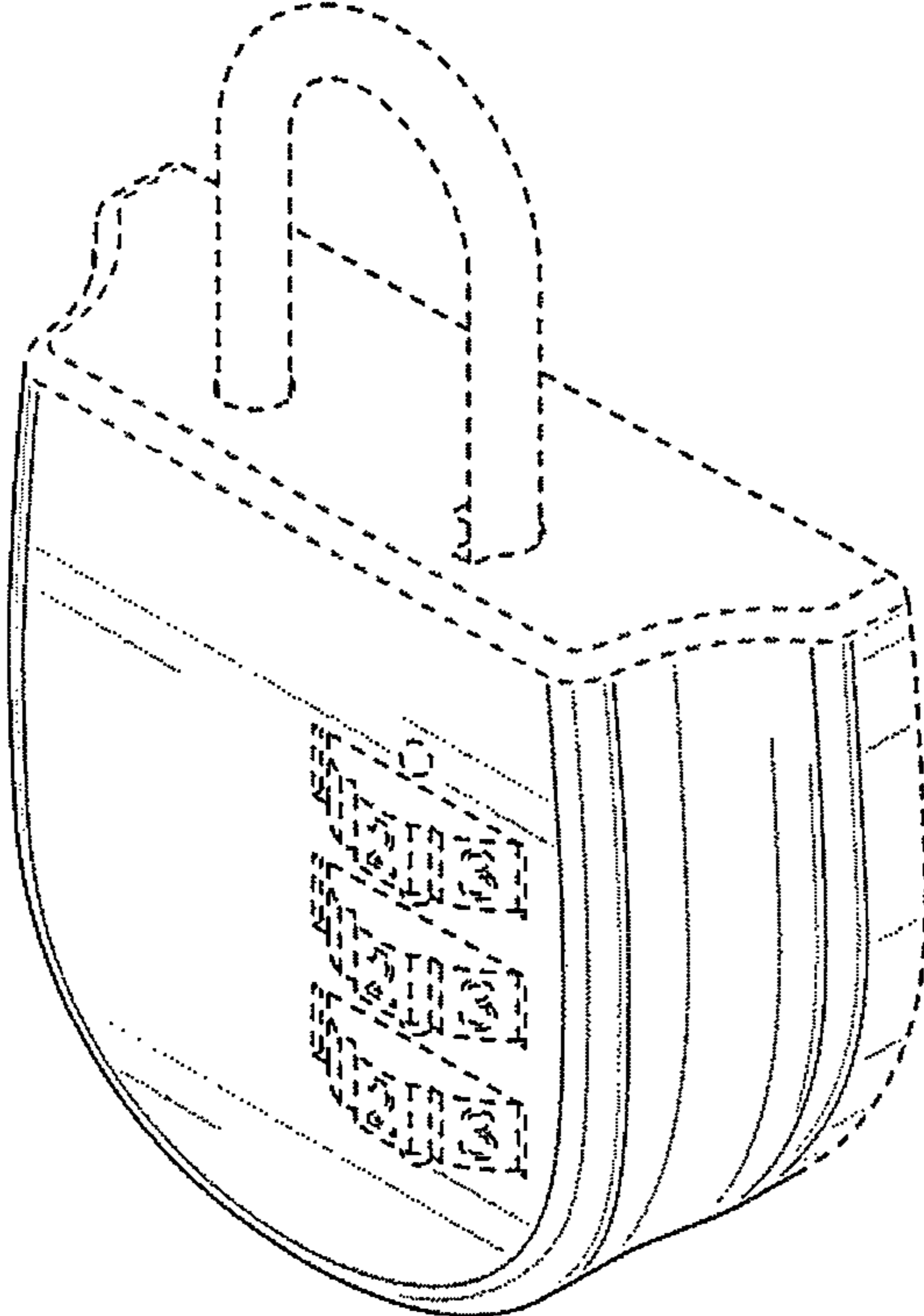


FIG. 1

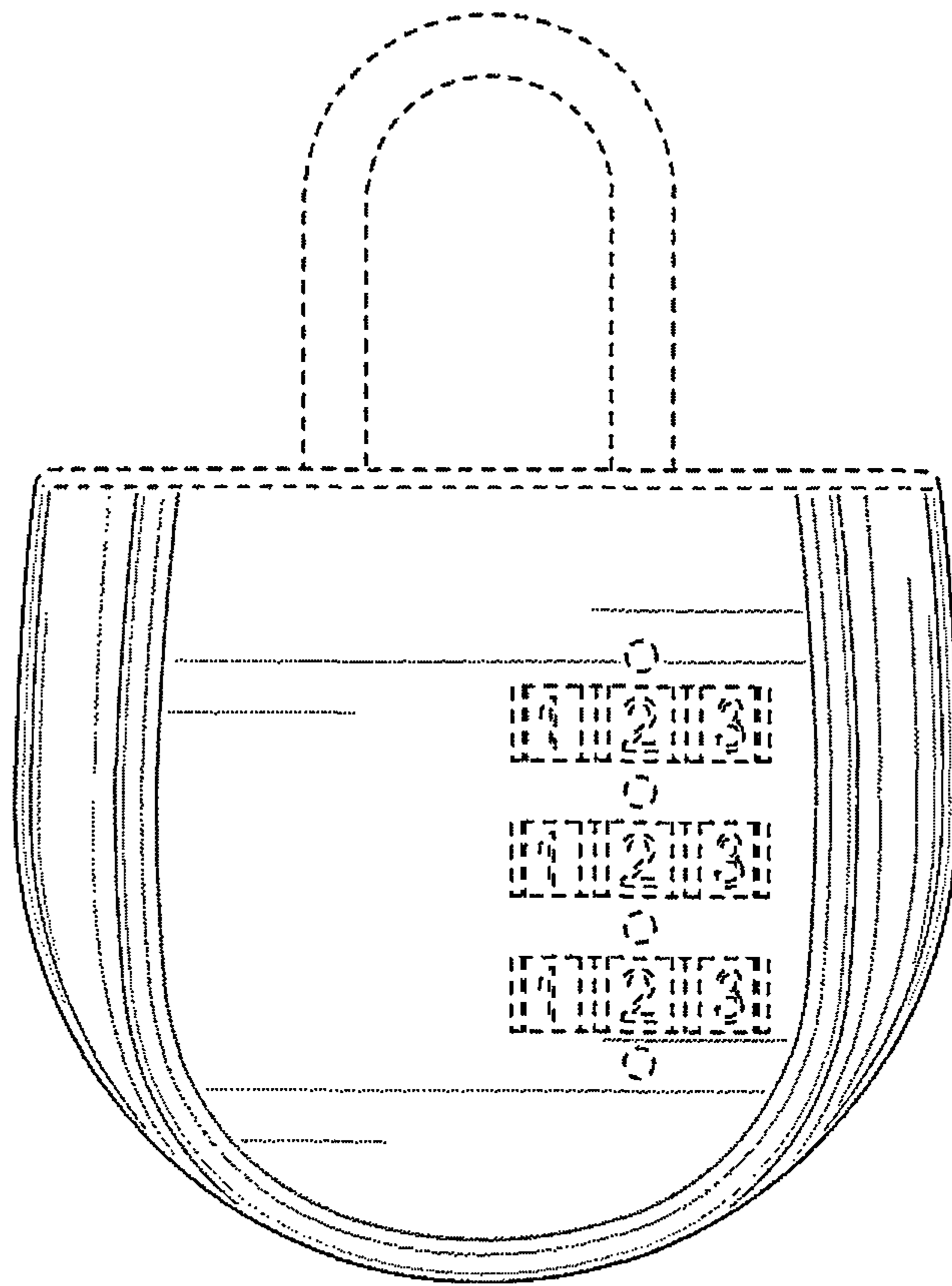


FIG. 2

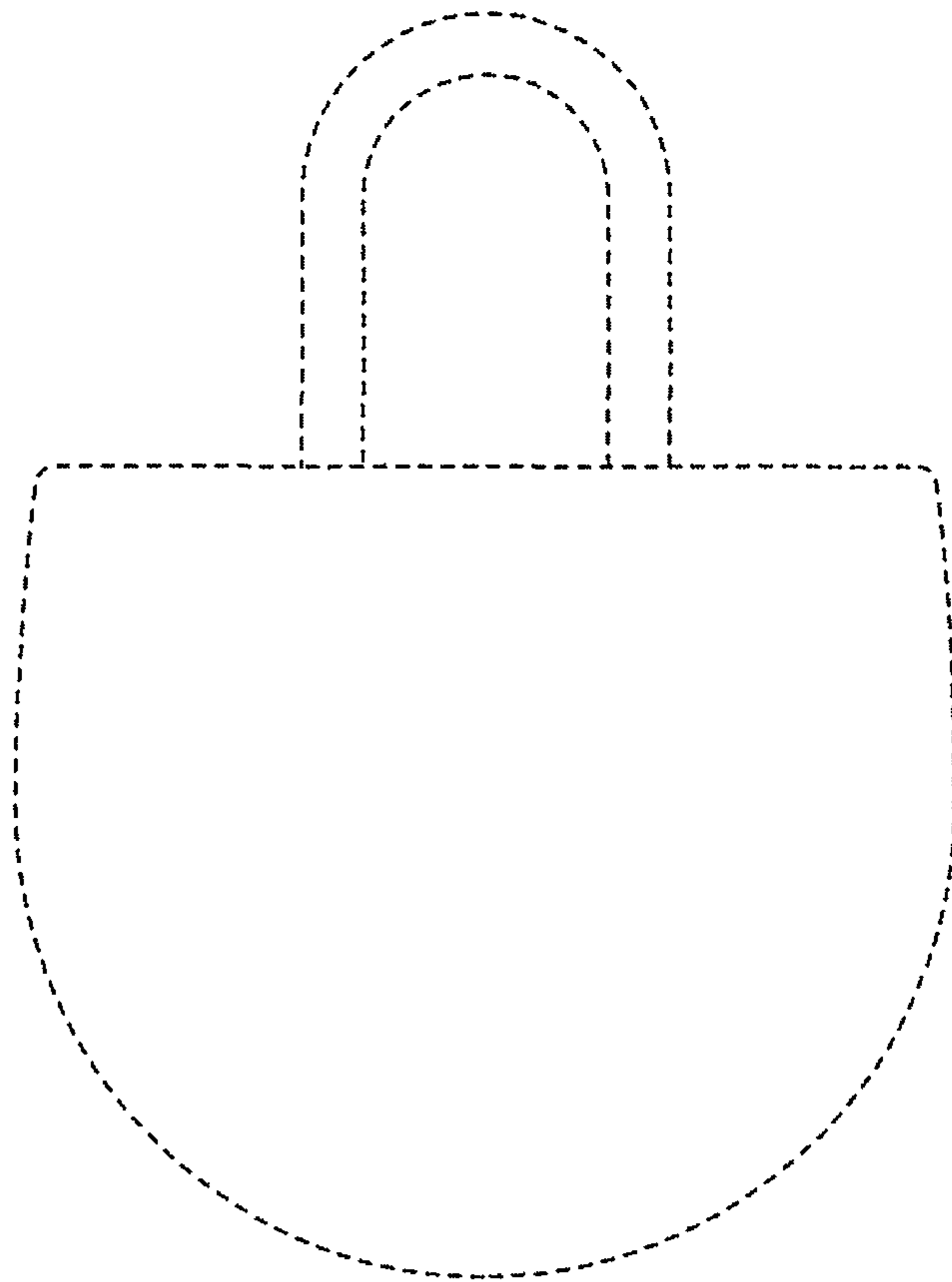


FIG. 3

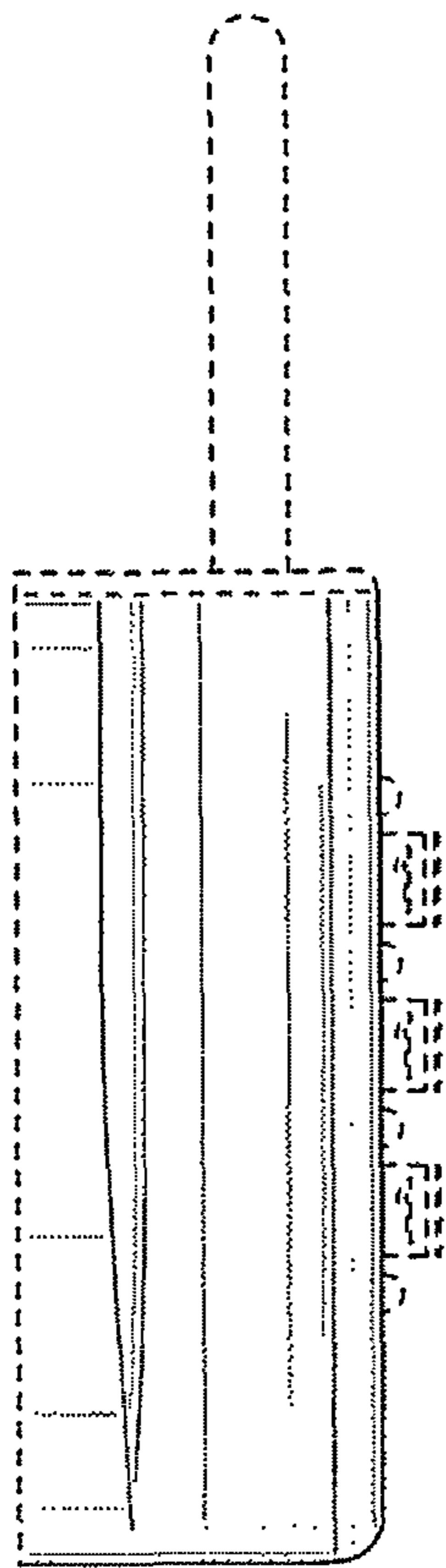


FIG. 4

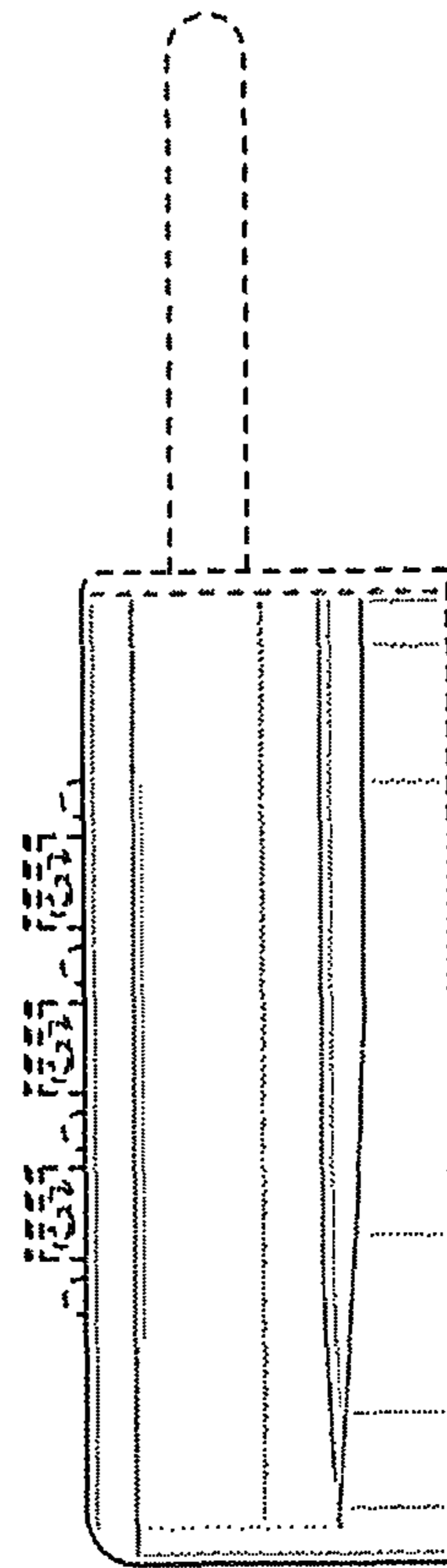


FIG. 5

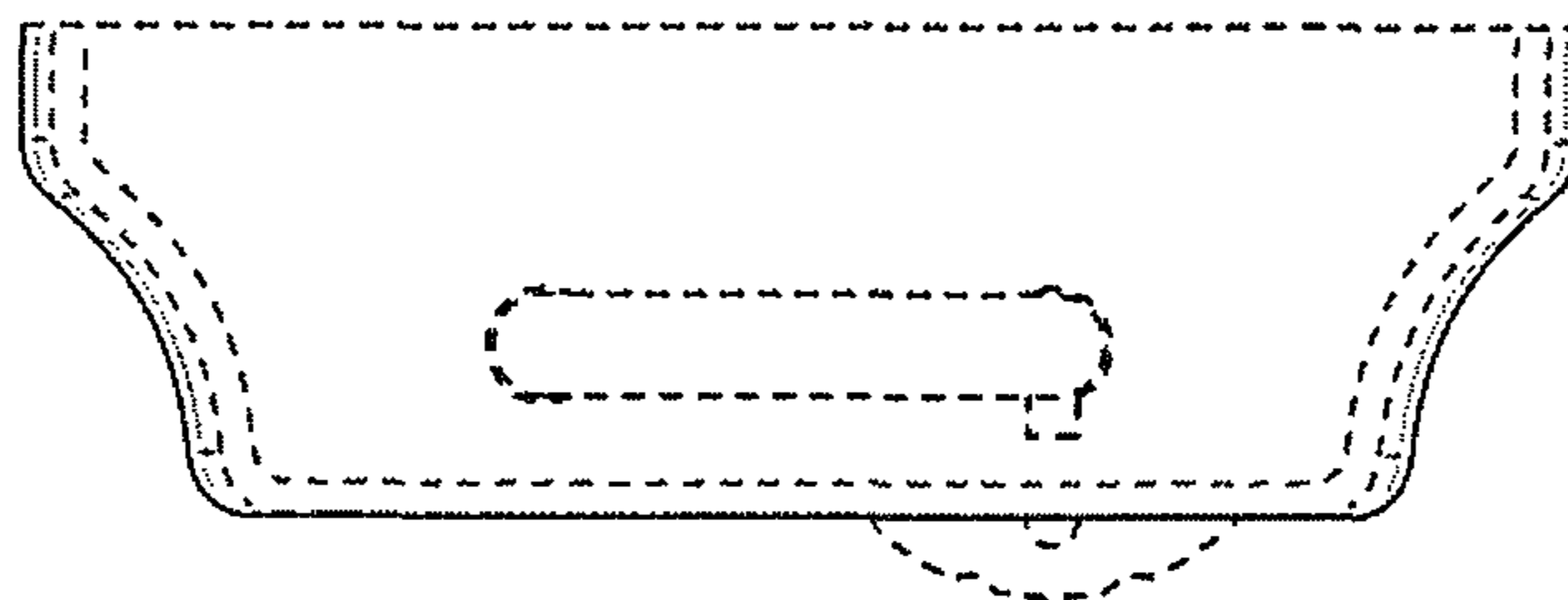


FIG. 6

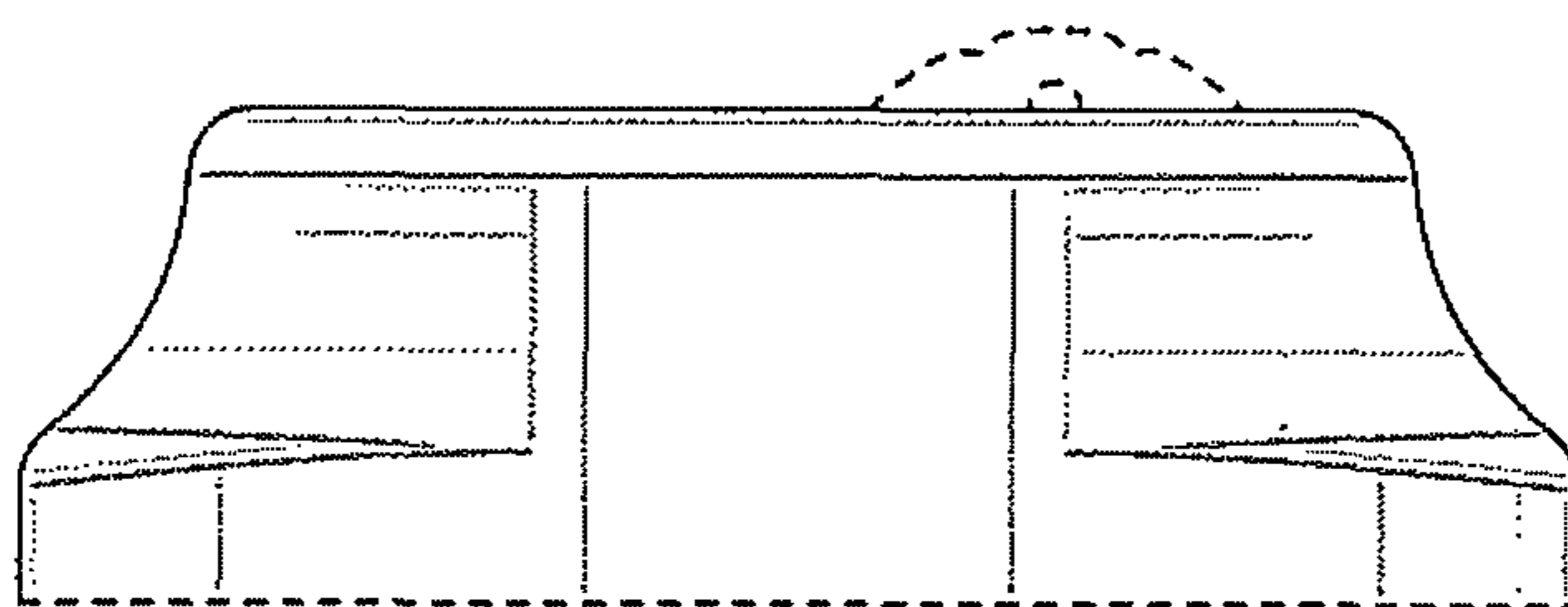


FIG. 7