



US00D691870S

(12) **United States Design Patent**
Stevens

(10) **Patent No.:** **US D691,870 S**

(45) **Date of Patent:** **** Oct. 22, 2013**

(54) **LOCK**

(75) Inventor: **Scott B. Stevens**, St. Francis, WI (US)

(73) Assignee: **Master Lock Company LLC**, Oak Creek, WI (US)

(**) Term: **14 Years**

(21) Appl. No.: **29/423,699**

(22) Filed: **Jun. 4, 2012**

(51) **LOC (9) Cl.** **08-07**

(52) **U.S. Cl.**
USPC **D8/333**; D8/343

(58) **Field of Classification Search**
USPC D8/330, 331, 333, 343, 339, 336;
70/14-16, 18, 57, 25, 158, 163-168,
70/233, 38 A, 38 C

See application file for complete search history.

(56) **References Cited**

U.S. PATENT DOCUMENTS

| | | | |
|---------------|---------|----------------|-------|
| 228,619 A | 6/1880 | Estes et al. | |
| 745,064 A | 11/1903 | Katzenberger | |
| 825,735 A | 7/1906 | Katzenberger | |
| 3,724,122 A | 4/1973 | Gillespie, Sr. | |
| 3,750,431 A | 8/1973 | Atkinson | |
| 3,756,046 A | 9/1973 | Jeh | |
| 3,841,118 A * | 10/1974 | Stone | 70/33 |
| 3,952,559 A | 4/1976 | Atkinson | |
| D241,805 S | 10/1976 | Stolarz | |
| D242,370 S | 11/1976 | Arndt et al. | |
| 4,197,726 A | 4/1980 | Uyeda | |
| 4,224,813 A | 9/1980 | Hampton | |
| D267,526 S | 1/1983 | Figuered | |
| 4,404,823 A | 9/1983 | Miller et al. | |
| 4,422,311 A | 12/1983 | Zabel et al. | |
| 4,476,698 A | 10/1984 | Treslo | |
| D276,408 S | 11/1984 | Zabel et al. | |

| | | | |
|--------------|---------|-----------------|--------|
| D302,237 S | 7/1989 | O'Day | |
| 4,895,488 A | 1/1990 | Dobbins et al. | |
| 4,938,039 A | 7/1990 | Tzung-I | |
| D332,387 S * | 1/1993 | Ling | D8/333 |
| D342,010 S | 12/1993 | Lebrecht et al. | |

(Continued)

OTHER PUBLICATIONS

Printout from Office of Harmonization in the Internal Market, Design No. 000835244-0001, publication dated Feb. 1, 2002, <http://oami.europa.eu/RCDOnline/RequestManager?print=1> (printed Jul. 28, 2009).

(Continued)

Primary Examiner — Prabhakar Deshmukh

(74) *Attorney, Agent, or Firm* — Calfee, Halter & Griswold LLP

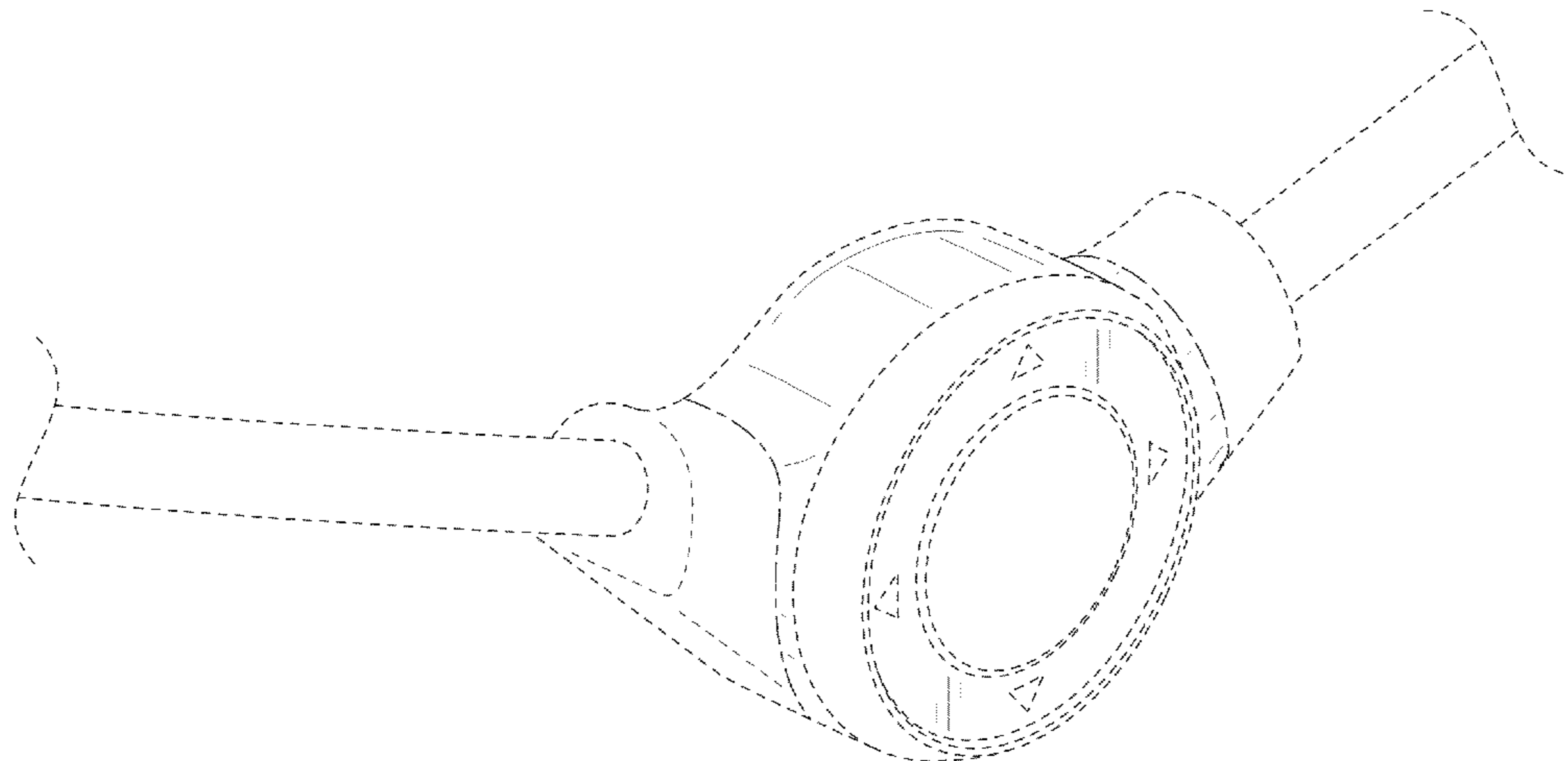
(57) **CLAIM**

I claim the ornamental design for a lock, as shown and described.

DESCRIPTION

FIG. 1 is a front perspective view of a lock;
FIG. 2 is a front elevational view of the lock of FIG. 1;
FIG. 3 is a rear elevational view of the lock of FIG. 1;
FIG. 4 is a right side elevational view of the lock of FIG. 1;
FIG. 5 is a left side elevational view of the lock of FIG. 1;
FIG. 6 is a top plan view of the lock of FIG. 1; and,
FIG. 7 is a bottom plan view of the lock of FIG. 1.
The portions shown in broken lines are for illustrative purpose only. The shade lines adjacent to the broken lines form the boundary of the claimed design. None of the broken lines form part of the claimed design.

1 Claim, 4 Drawing Sheets



(56)

References Cited

U.S. PATENT DOCUMENTS

D369,288 S 4/1996 Jensen
 D373,523 S 9/1996 Carsesello
 5,572,890 A 11/1996 Carpenter
 D379,059 S 5/1997 Turner
 D381,268 S 7/1997 Rush et al.
 D390,282 S 2/1998 Burdick
 D390,771 S * 2/1998 Egger D8/333
 D393,544 S * 4/1998 Ling D8/333
 D395,814 S 7/1998 Yang
 D397,026 S 8/1998 Drake
 D405,144 S 2/1999 Crum
 D406,043 S 2/1999 LeClaire
 D411,730 S 6/1999 Matyko
 D416,467 S 11/1999 Castellanos et al.
 5,984,171 A 11/1999 Schwarzli
 D425,398 S 5/2000 Fiegenger et al.
 D426,138 S 6/2000 Matyko
 D426,763 S 6/2000 Adler et al.
 D427,884 S 7/2000 Castellanos et al.
 D433,314 S 11/2000 Mimlitch et al.
 6,192,720 B1 * 2/2001 Kan 70/49
 D449,510 S 10/2001 Liu
 6,298,694 B1 10/2001 Knoll
 D455,638 S 4/2002 Livingston et al.
 D455,639 S 4/2002 McDaid et al.
 D457,802 S * 5/2002 Meekma et al. D8/333
 6,389,854 B1 * 5/2002 Huang 70/58
 D458,530 S 6/2002 Grosz et al.
 D461,699 S 8/2002 Lavikainen et al.
 D469,332 S * 1/2003 Meekma et al. D8/333
 D470,745 S 2/2003 Gast
 D471,429 S 3/2003 Williams et al.
 D472,129 S 3/2003 Hill et al.
 D476,216 S 6/2003 Vito
 D484,776 S 1/2004 Ruan
 6,718,803 B2 4/2004 Knoll

D506,150 S 6/2005 Backlund et al.
 D512,900 S 12/2005 Tarter et al.
 D512,901 S 12/2005 Haber
 6,993,943 B1 2/2006 Chang
 D516,408 S 3/2006 Kearns et al.
 D517,396 S 3/2006 Tarter et al.
 7,047,772 B2 5/2006 Yu
 D527,428 S 8/2006 Cooper
 7,094,000 B2 8/2006 Akkala et al.
 D528,401 S 9/2006 Ruan
 D533,764 S 12/2006 Heppner
 D535,548 S 1/2007 Lin
 D537,703 S 3/2007 Kearns et al.
 D541,228 S 4/2007 Thursfield
 D541,630 S 5/2007 Blomstrom et al.
 D545,177 S 6/2007 Vito
 D548,043 S 8/2007 Yang
 7,264,189 B2 9/2007 Holcomb et al.
 D557,107 S 12/2007 Van Handel et al.
 D569,226 S 5/2008 Brewster et al.
 D573,871 S 7/2008 Nave et al.
 D574,013 S * 7/2008 Brennwald D14/496
 D582,251 S 12/2008 Mackey et al.
 D583,218 S 12/2008 Nave et al.
 D594,731 S 6/2009 Plato
 D596,647 S * 7/2009 Levy D14/496
 D629,280 S 12/2010 Plato
 D633,369 S * 3/2011 Atteridge et al. D8/333
 D638,279 S 5/2011 Plato

OTHER PUBLICATIONS

Website printout, Master Lock—One Padlock, <http://www.masterlock.eu/products/detail/Padlocks-GeneralSecurity/CombinationLocks/OnePadlock-Resettable> Combination/OnePadlock.
 Website printout, Master Lock—Combination Padlocks No. 1500ID, <http://masterlock.com/products/productdetails/1500iD>.

* cited by examiner

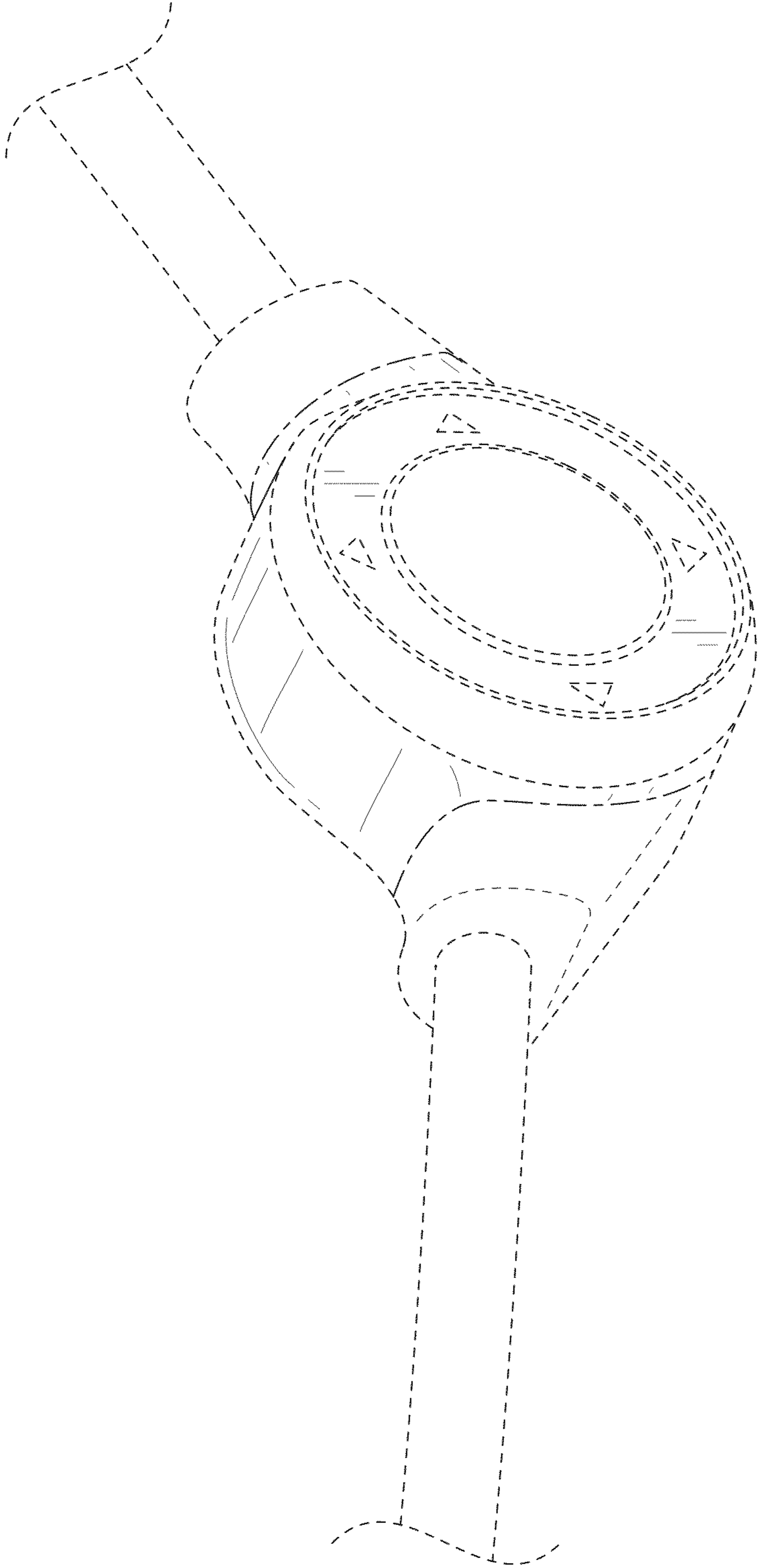


FIG. 1

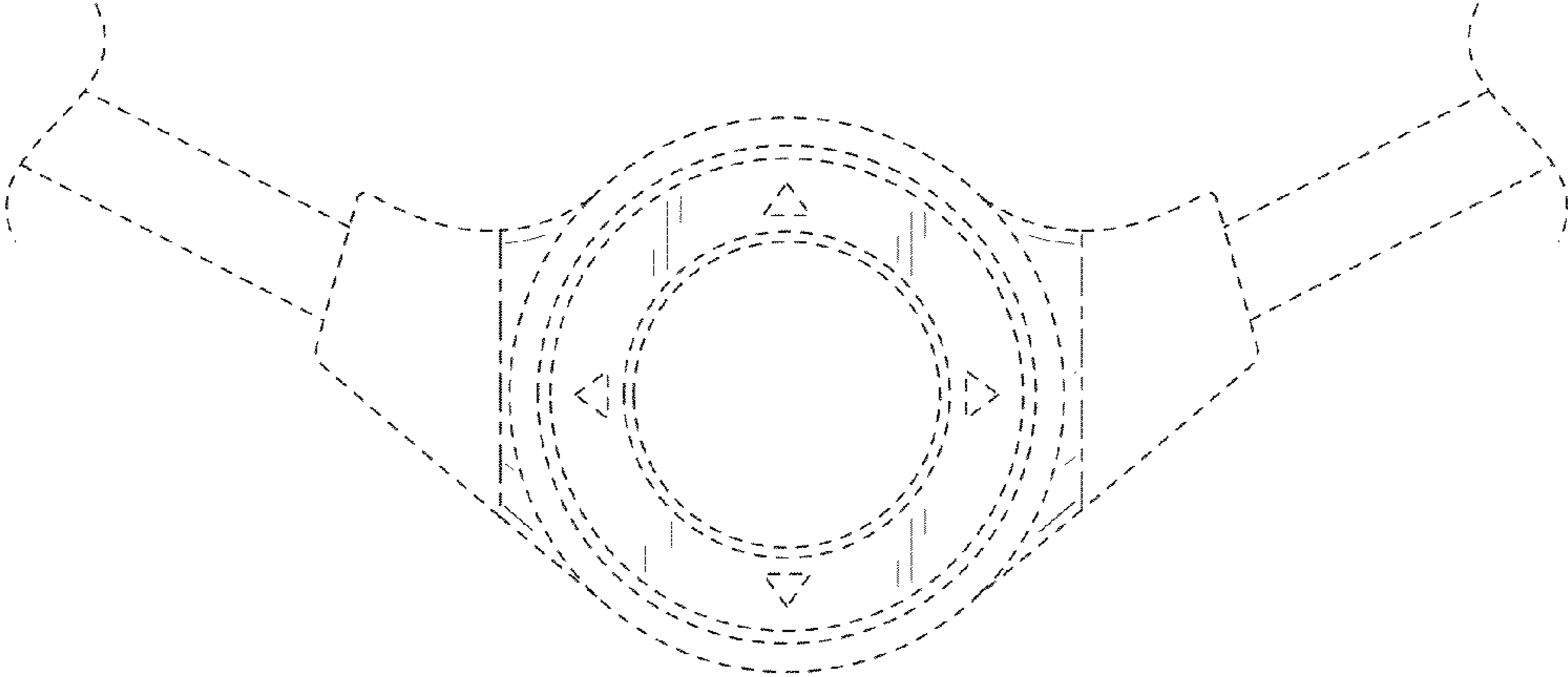


FIG. 2

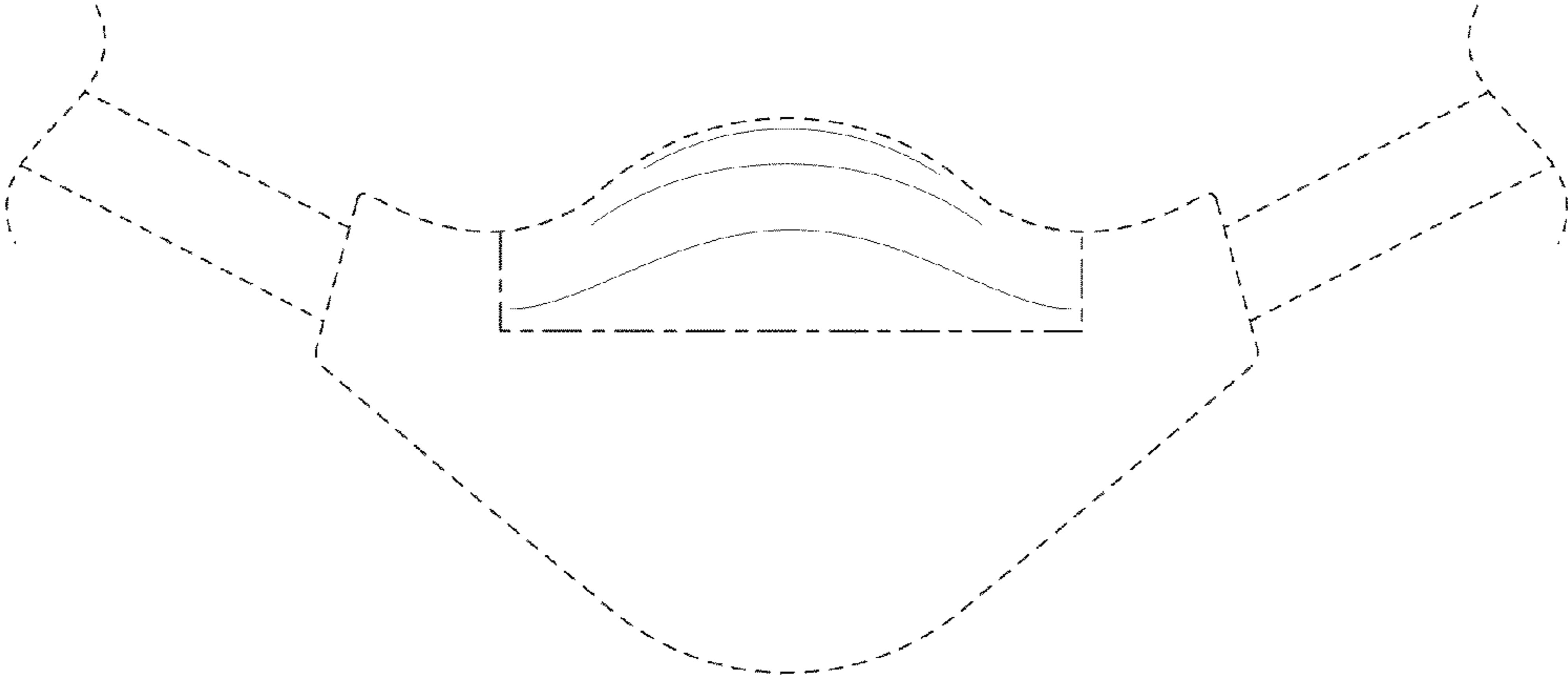


FIG. 3

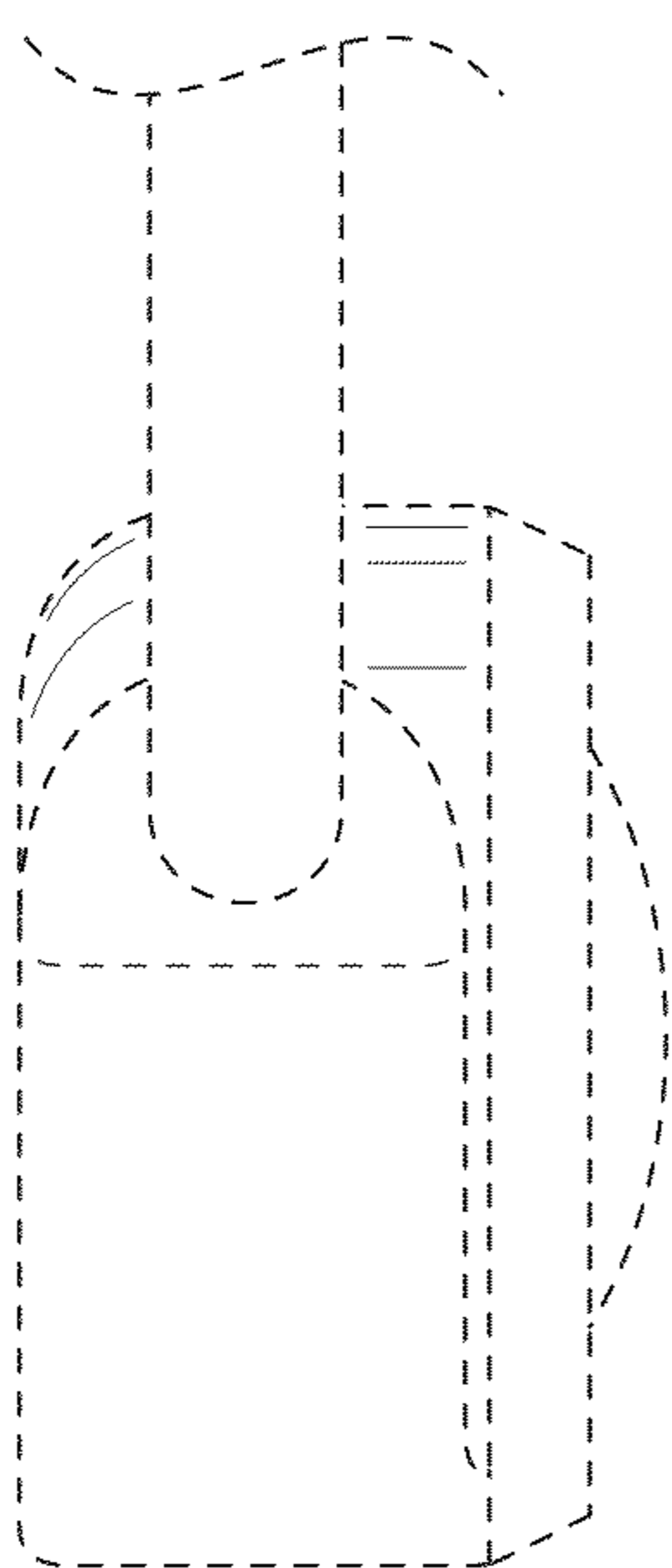


FIG. 4

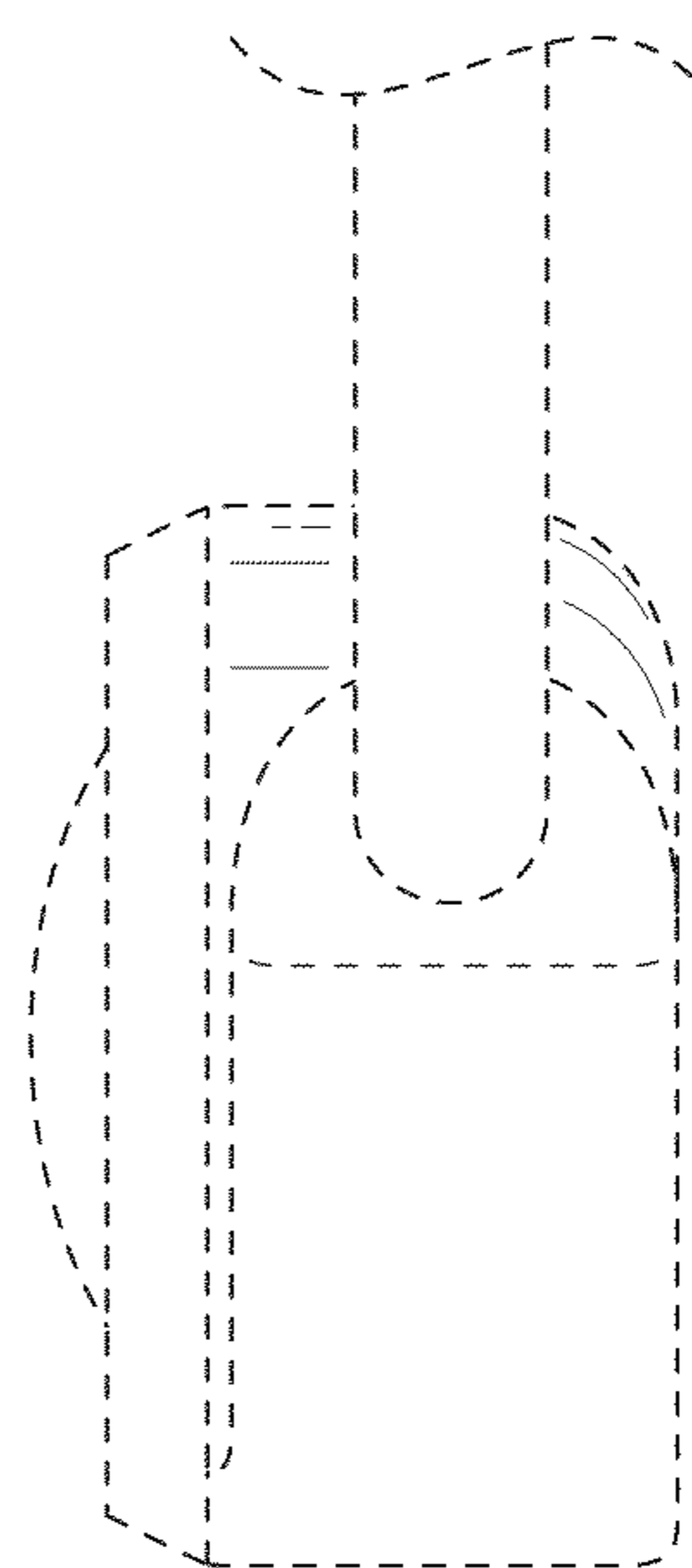


FIG. 5

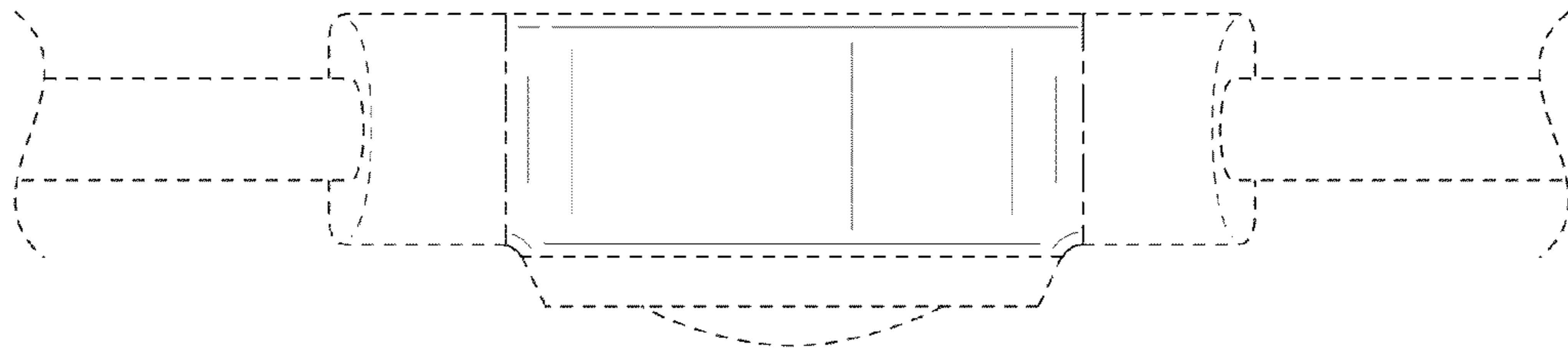


FIG. 6

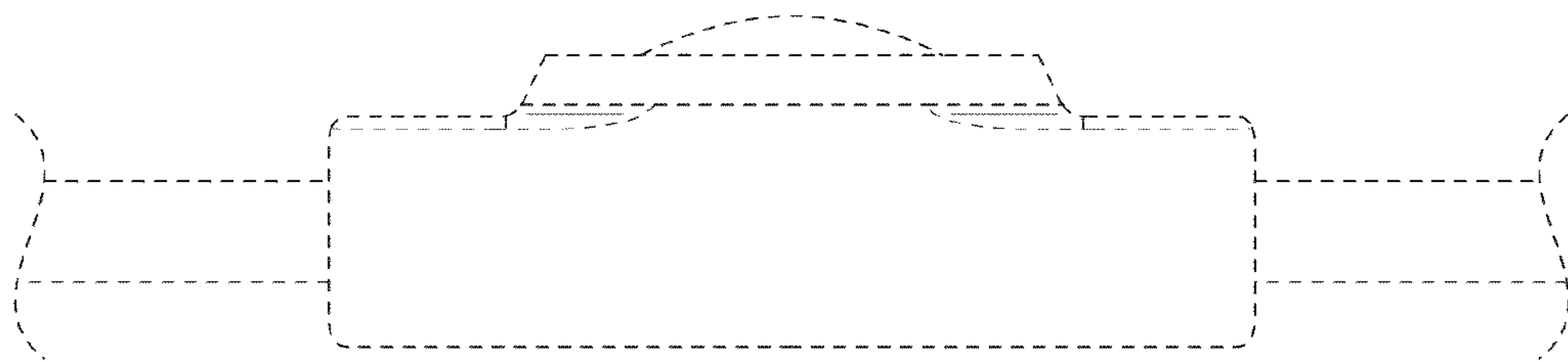


FIG. 7