



US00D691869S

(12) **United States Design Patent**
Plato

(10) **Patent No.:** **US D691,869 S**
(45) **Date of Patent:** **** Oct. 22, 2013**

(54) **LUGGAGE LOCK**

(75) **Inventor:** **Lea Marie Plato**, Milwaukee, WI (US)

(73) **Assignee:** **Master Lock Company**, Oak Creek, WI (US)

(**) **Term:** **14 Years**

(21) **Appl. No.:** **29/417,814**

(22) **Filed:** **Apr. 9, 2012**

(51) **LOC (9) Cl.** **08-07**

(52) **U.S. Cl.**
USPC **D8/333**; D8/331; D8/342

(58) **Field of Classification Search**
USPC D8/330, 331, 333, 342, 343; 70/14, 20,
70/21, 22, 23, 30, 50, 52, 57, 57.1, 69, 70,
70/76, 164, 233, 416, 465, DIG. 3, DIG. 4
See application file for complete search history.

(56) **References Cited**

U.S. PATENT DOCUMENTS

3,464,240	A *	9/1969	Brody et al.	70/71
D291,653	S *	9/1987	Bialo	D8/331
D291,773	S *	9/1987	Gisiger	D8/331
D296,185	S *	6/1988	Scelba	D8/331
4,756,171	A *	7/1988	Homar	70/18
5,713,226	A *	2/1998	Yu	70/69
D448,273	S *	9/2001	Lai	D8/333
6,401,889	B1 *	6/2002	McCleskey	190/102
6,945,667	B2 *	9/2005	Parsons	362/196

7,264,287	B2 *	9/2007	Ching	292/315
D557,106	S *	12/2007	Kuwayama	D8/333
D570,194	S *	6/2008	Schlatter	D8/331
7,631,524	B2 *	12/2009	Araujo	70/25

OTHER PUBLICATIONS

Micro Scale 12402 product description, available by at least Apr. 4, 2012 via URL: <http://www.travelonbags.com/accessories/scales/micro-scale>, 1 page.

* cited by examiner

Primary Examiner — Prabhakar Deshmukh

(74) *Attorney, Agent, or Firm* — Foley & Lardner LLP

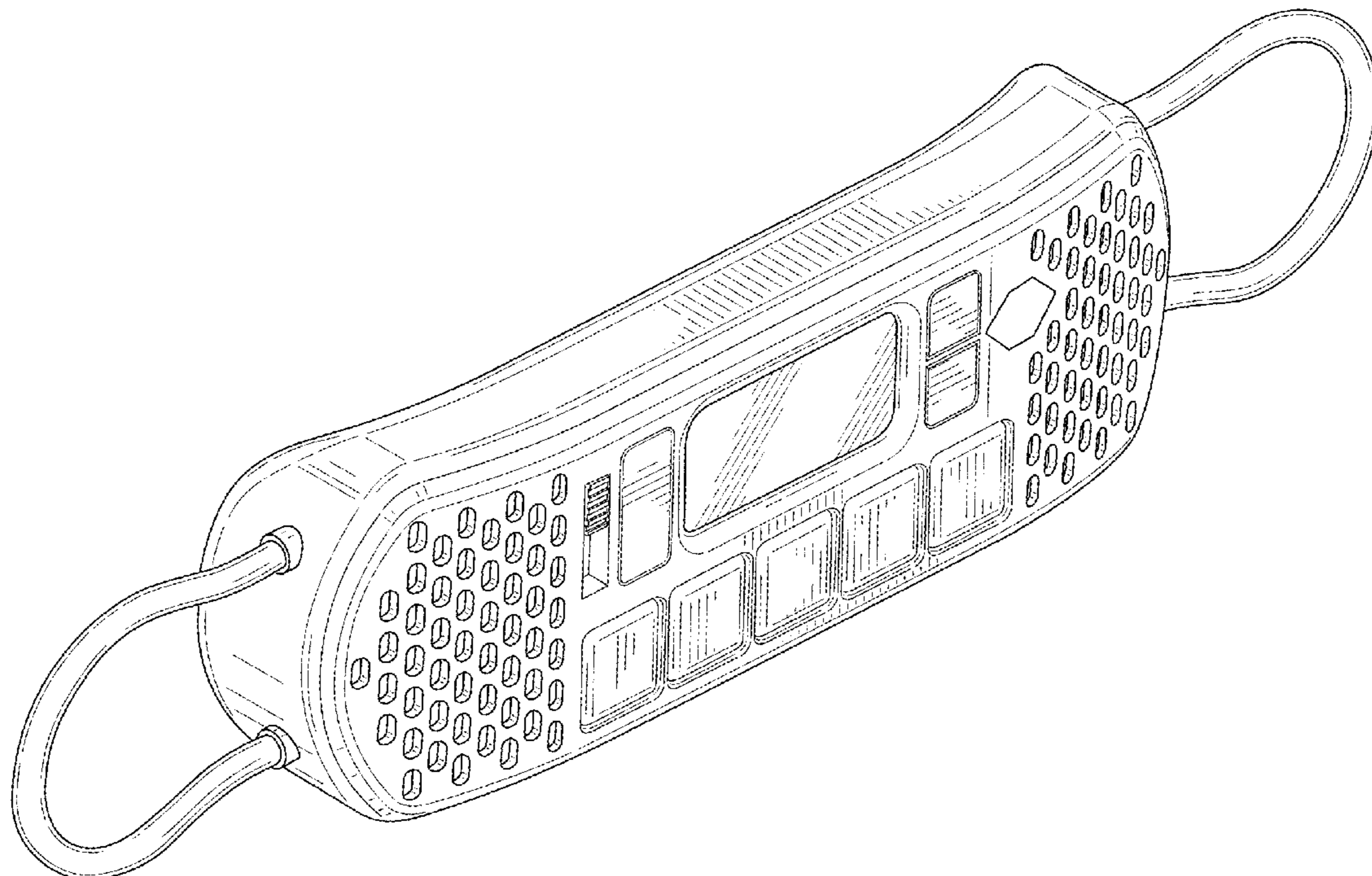
(57) **CLAIM**

I claim the ornamental design for a luggage lock, as shown and described.

DESCRIPTION

FIG. 1 is a perspective view of a luggage lock showing my new design;
FIG. 2 is a front elevational view thereof;
FIG. 3 is a rear elevational view thereof;
FIG. 4 is a top plan view thereof;
FIG. 5 is a bottom plan view thereof;
FIG. 6 is a right side elevational view thereof; and,
FIG. 7 is a left side elevational view thereof.
The break lines on the shackles of the lock also indicate that the shackles may be flexible and deformed.

1 Claim, 6 Drawing Sheets



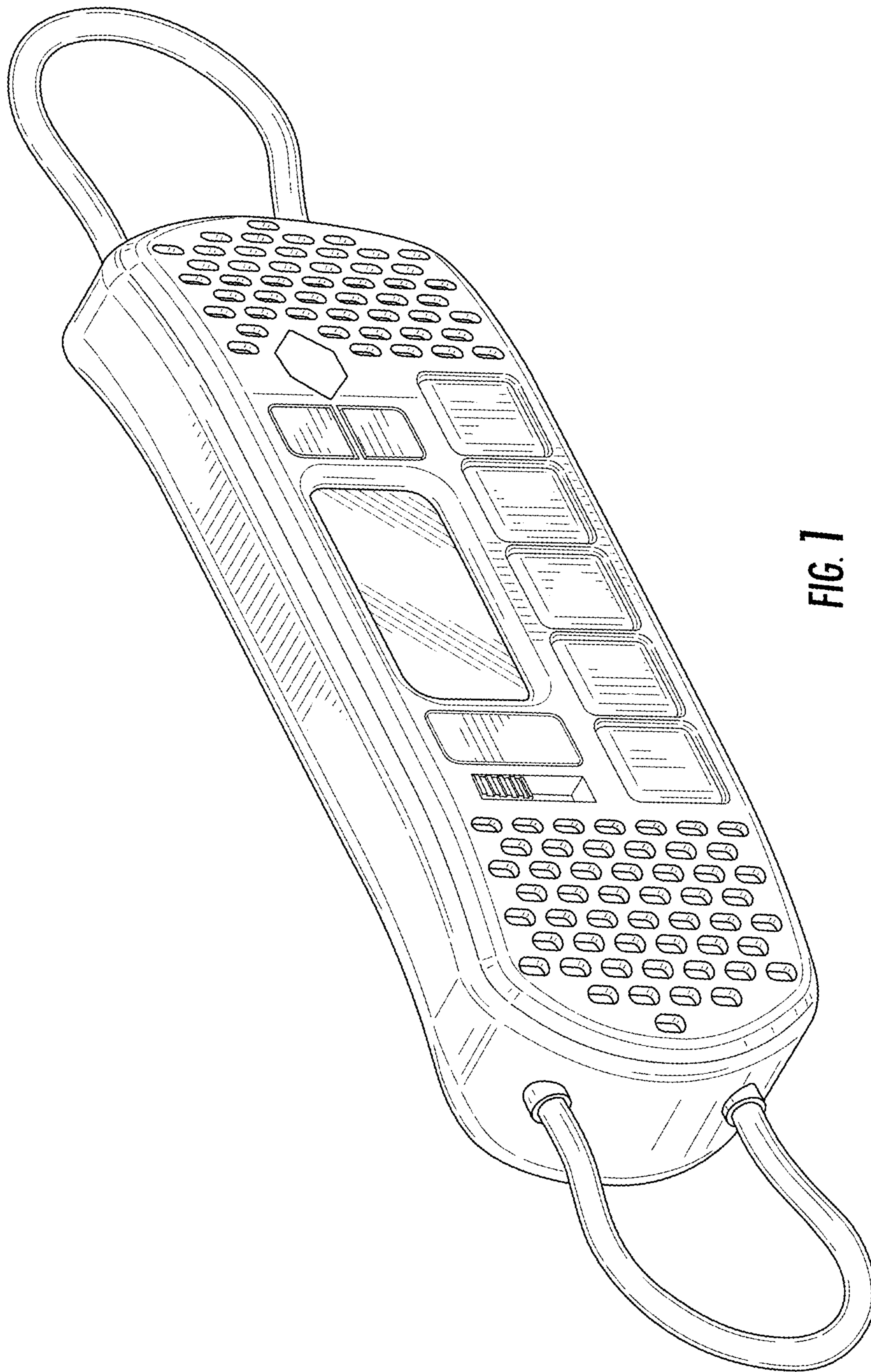


FIG. 1

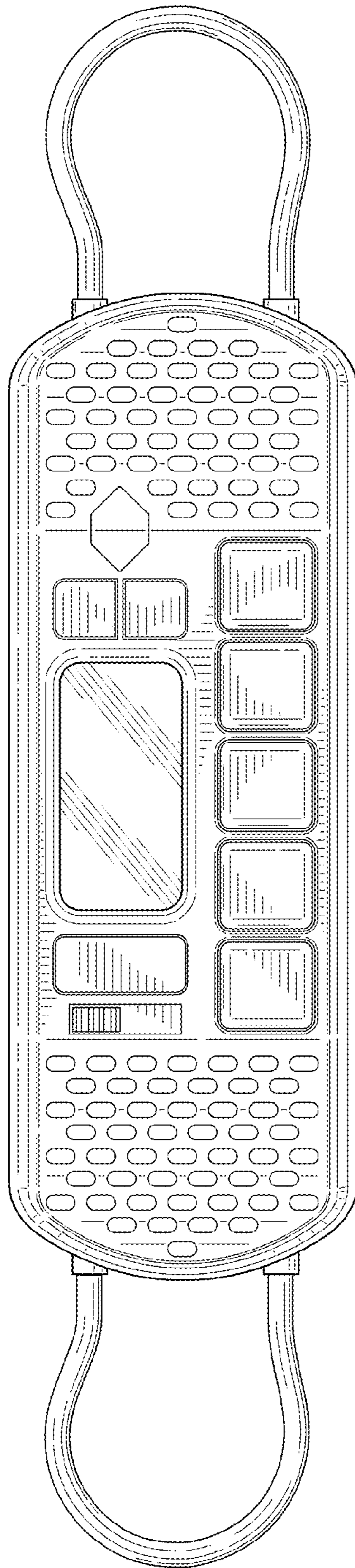


FIG. 2

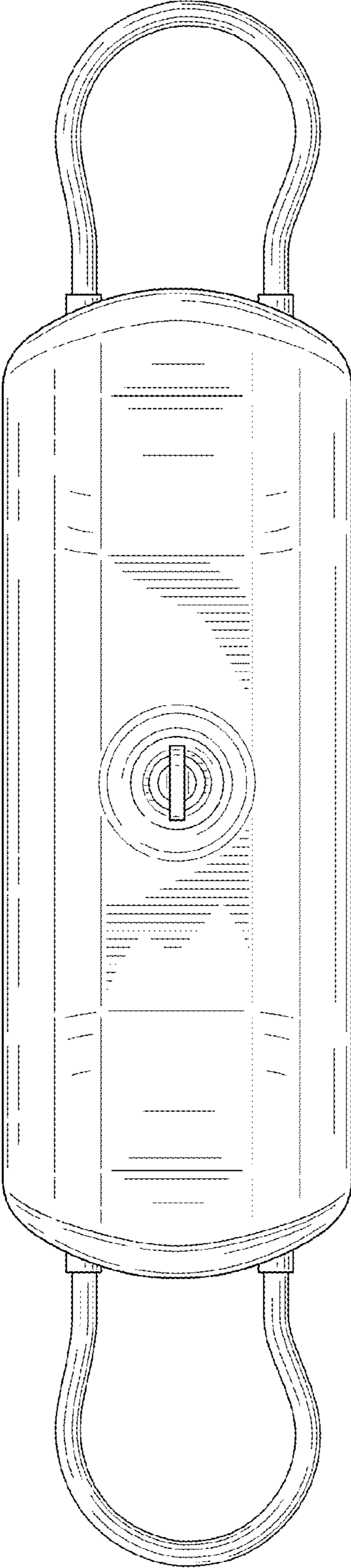


FIG. 3

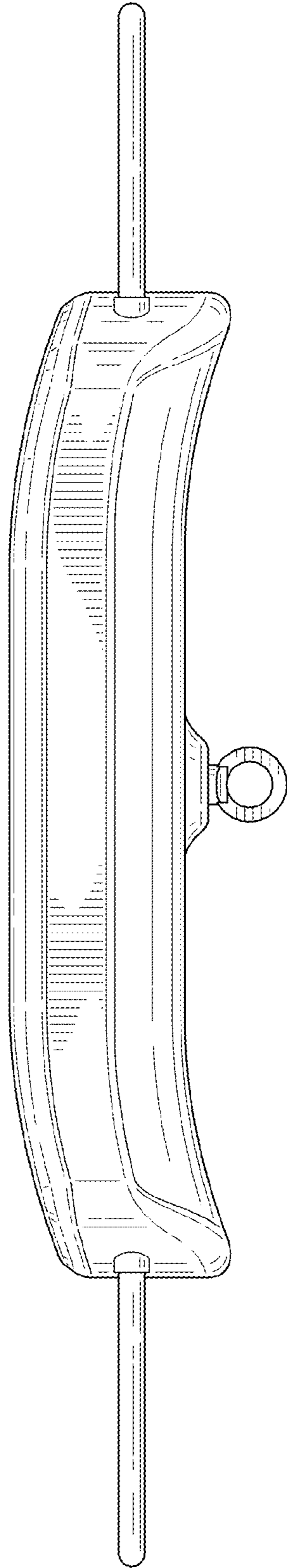


FIG. 4

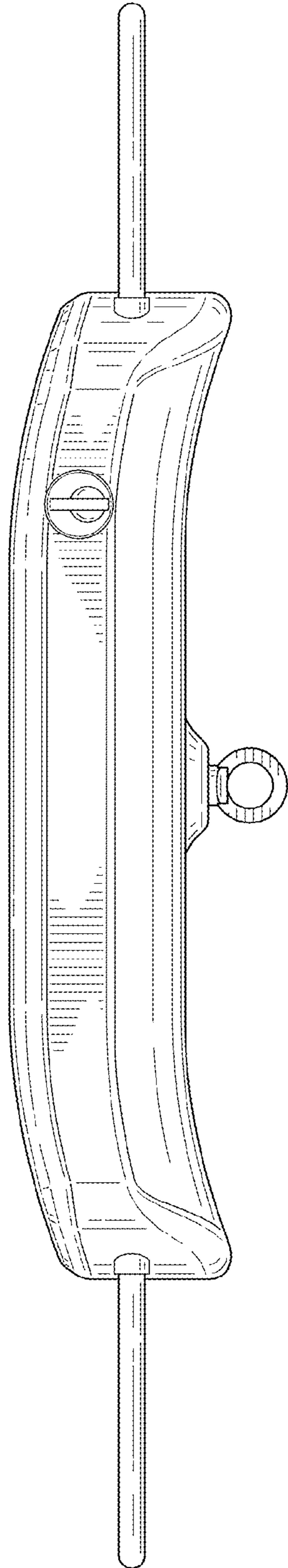


FIG. 5

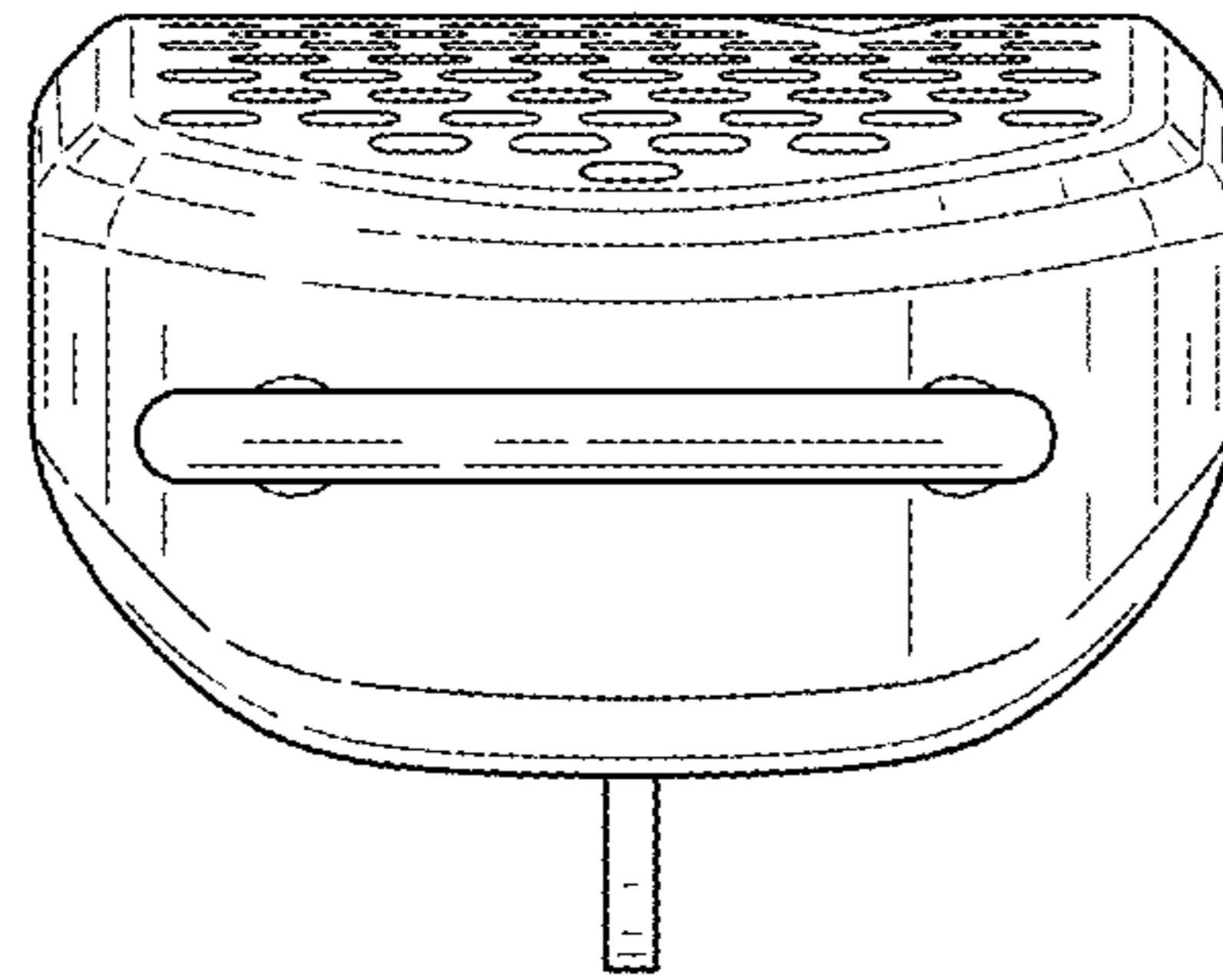


FIG. 6

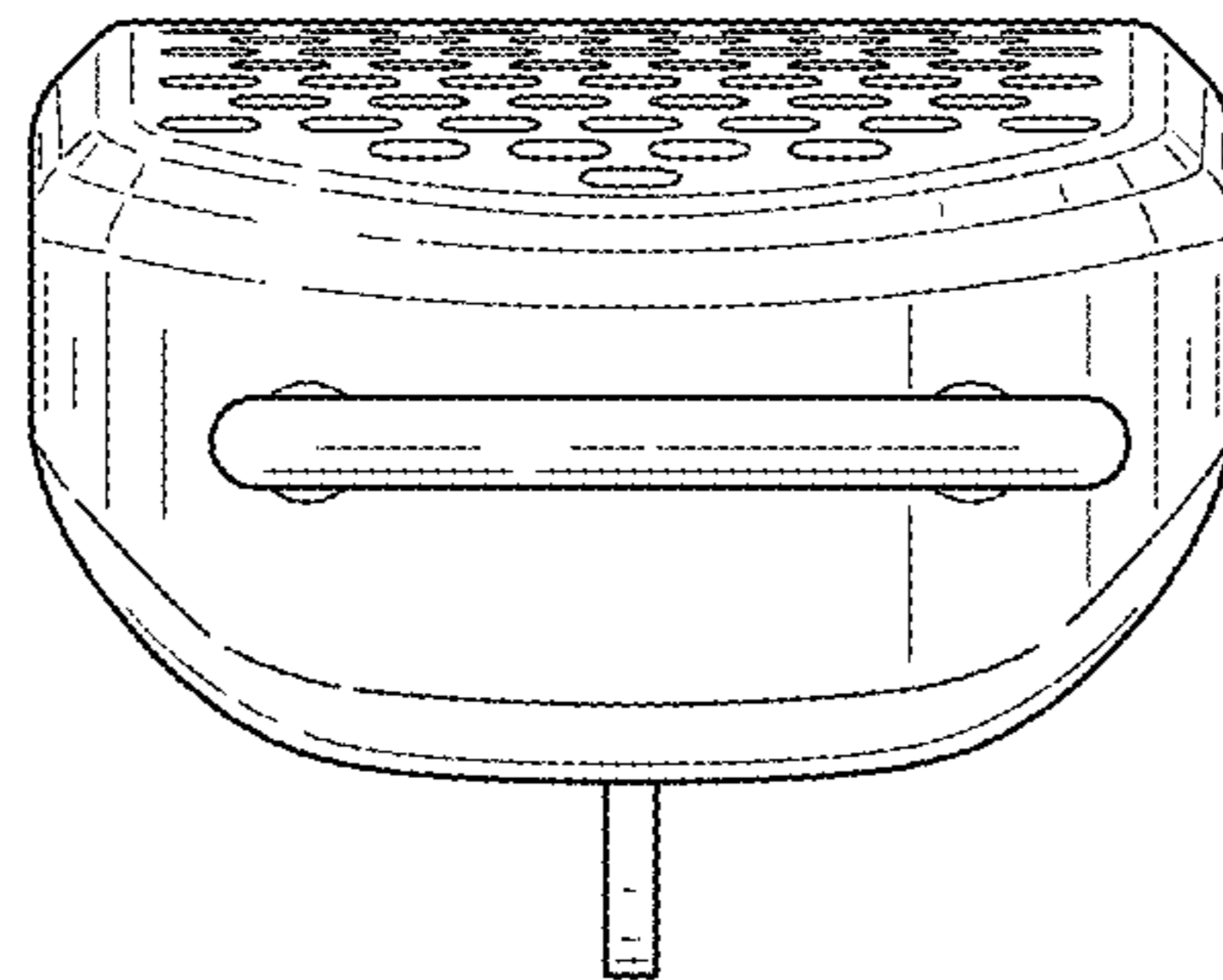


FIG. 7