



US00D691868S

(12) **United States Design Patent**
Watanabe

(10) **Patent No.:** **US D691,868 S**
(45) **Date of Patent:** **** Oct. 22, 2013**

- (54) **ROTARY CUTTER**
- (71) Applicant: **Olfa Corporation**, Osaka (JP)
- (72) Inventor: **Toshiyuki Watanabe**, Kyoto (JP)
- (73) Assignee: **Olfa Corporation** (JP)
- (**) Term: **14 Years**
- (21) Appl. No.: **29/435,258**
- (22) Filed: **Oct. 22, 2012**
- (51) **LOC (9) Cl.** **08-03**
- (52) **U.S. Cl.**
USPC **D8/98**
- (58) **Field of Classification Search**
USPC D8/98, 99; 30/276, 292, 294, 319
See application file for complete search history.

(56) **References Cited**

U.S. PATENT DOCUMENTS

D298,409	S	*	11/1988	Sugiyama	D8/98
5,493,781	A	*	2/1996	Saito	30/162
D412,274	S		7/1999	Okada		
D423,317	S	*	4/2000	Takeshita	D8/98
6,094,824	A	*	8/2000	Takeshita	30/276
D445,660	S		7/2001	Okada		
7,073,263	B2	*	7/2006	Kawasaki	30/292
D536,231	S	*	2/2007	Kawasaki	D8/98
7,290,340	B2	*	11/2007	Lin	30/292
7,434,319	B2	*	10/2008	Tsai-Lian	30/292
7,444,749	B1	*	11/2008	Chen	30/292
D633,771	S	*	3/2011	Chang	D8/98

FOREIGN PATENT DOCUMENTS

EM 1 961 527 A1 8/2008

OTHER PUBLICATIONS

Fiskers, <http://www2.fiskars.com/Products/Sewing-and-Quilting/Sewing-and-Quilting-Tools/Rotary-Cutters-and-Blades>, available at least as early as Oct. 22, 2011.

(Clover), <http://www.clover.co.jp/seihin/patti8.html#ro45a>, available at least as early as Oct. 22, 2011.
 Gingher, <http://www.gingher.com/product/45mm-rotary-cutter/42/>, available at least as early as Oct. 22, 2011.
 Kai, http://www.kaisissors.com/category.php?category_id=51, available at least as early as Oct. 22, 2011.
 Dafa, <http://www.beyond-fabrics.co.uk/rotary-cutter-45mm---dafa-6056-p.asp>, available at least as early as Oct. 22, 2011.
 Olfa, http://www.olfa.co.jp/en/body/kind/5_p1.html, available at least as early as Oct. 22, 2011.

* cited by examiner

Primary Examiner — Philip S Hyder

Assistant Examiner — Roselynn Cody

(74) *Attorney, Agent, or Firm* — Saidman DesignLaw Group

(57) **CLAIM**

The ornamental design for a rotary cutter, as shown and described.

DESCRIPTION

FIG. 1 is a top plan view of a rotary cutter showing my new design;
 FIG. 2 is a bottom view thereof;
 FIG. 3 is a front view thereof, the opposite rear view being mirror image thereof;
 FIG. 4 is a left end view thereof;
 FIG. 5 is a right end view thereof;
 FIG. 6 is a perspective view thereof; and,
 FIG. 7 is another perspective view thereof, wherein safety guard member is retracted for cutting operation.
 The broken lines shown in the drawings are for illustrative purposes only and form no part of the claimed design.

1 Claim, 2 Drawing Sheets

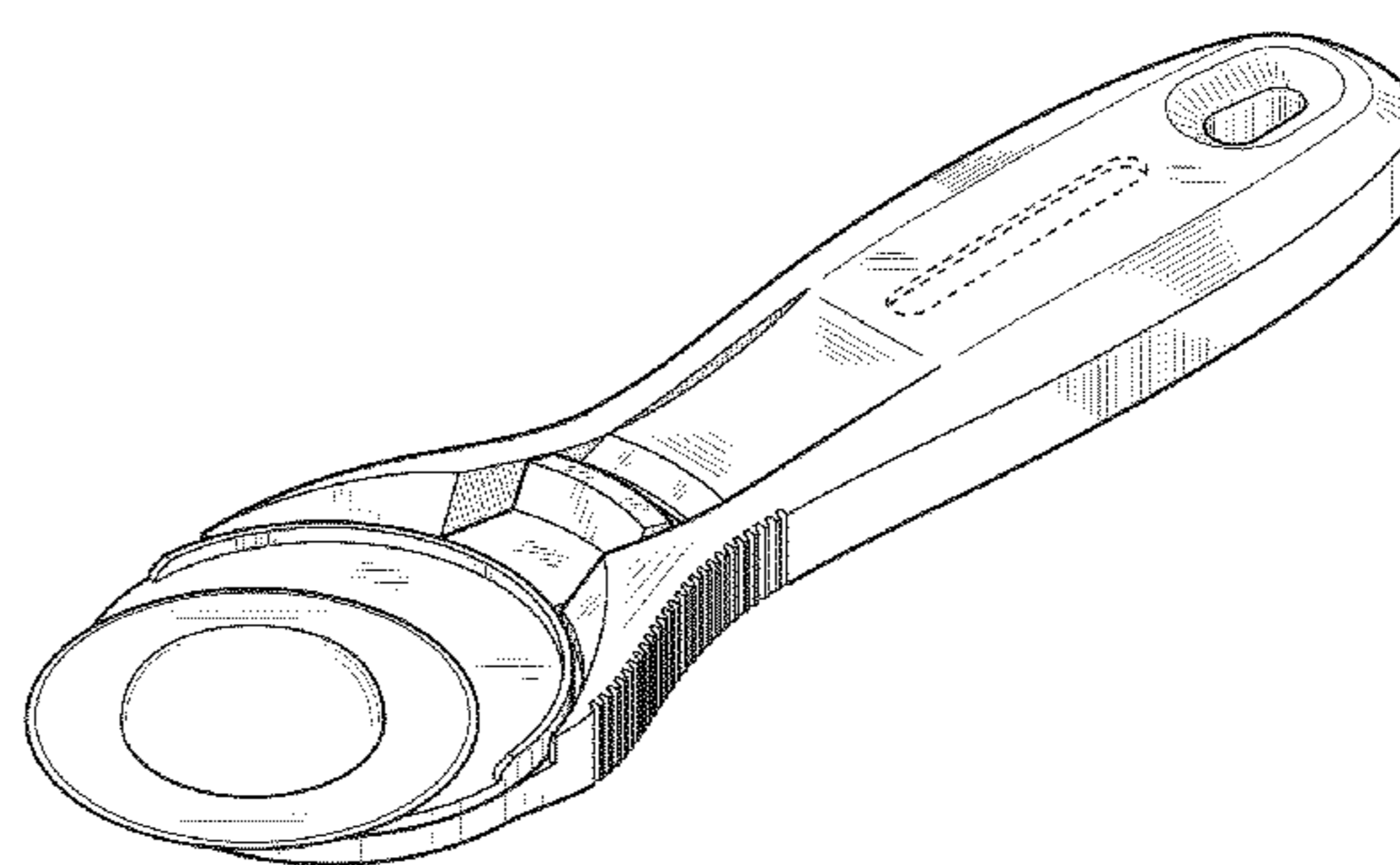
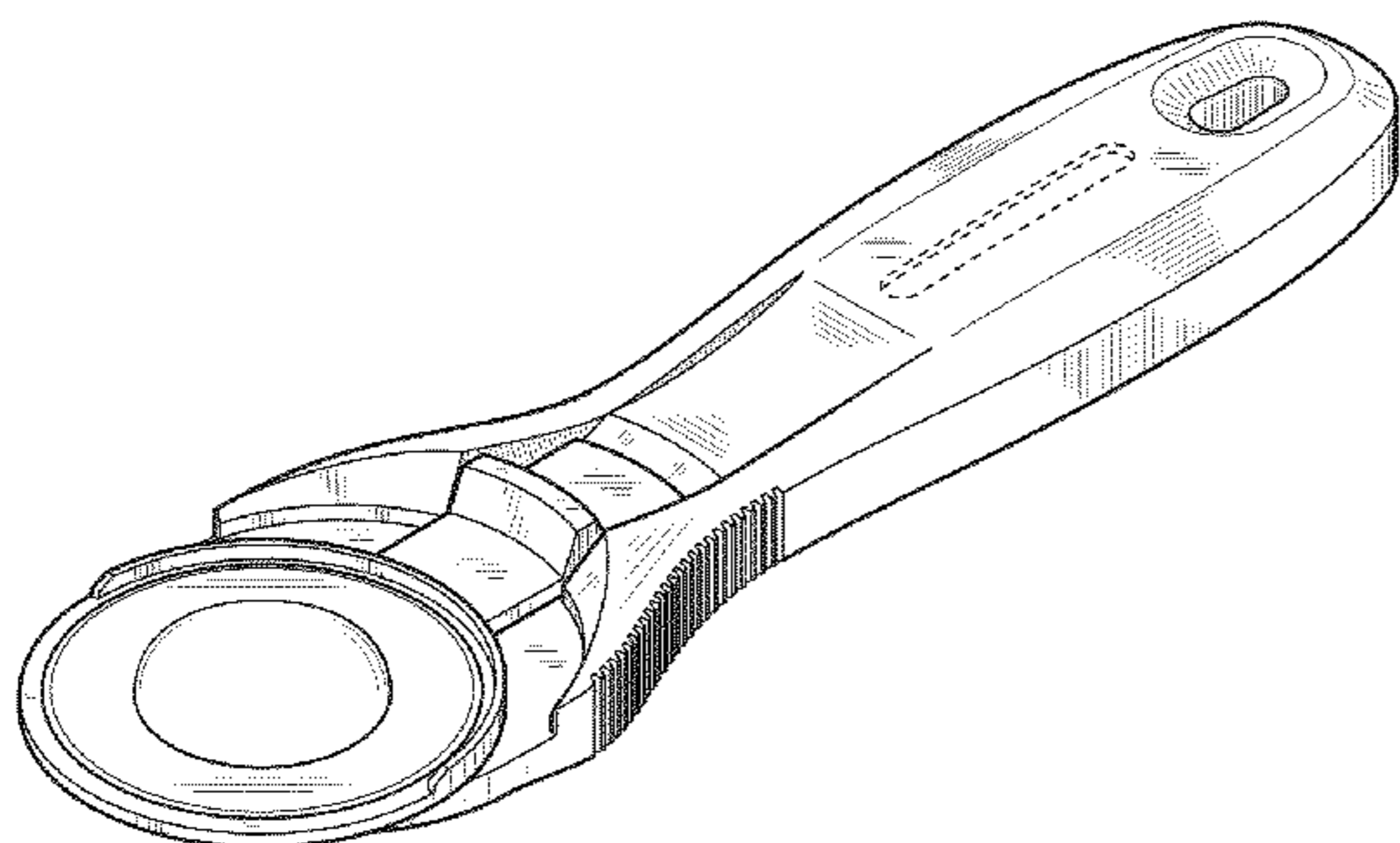


FIG. 1

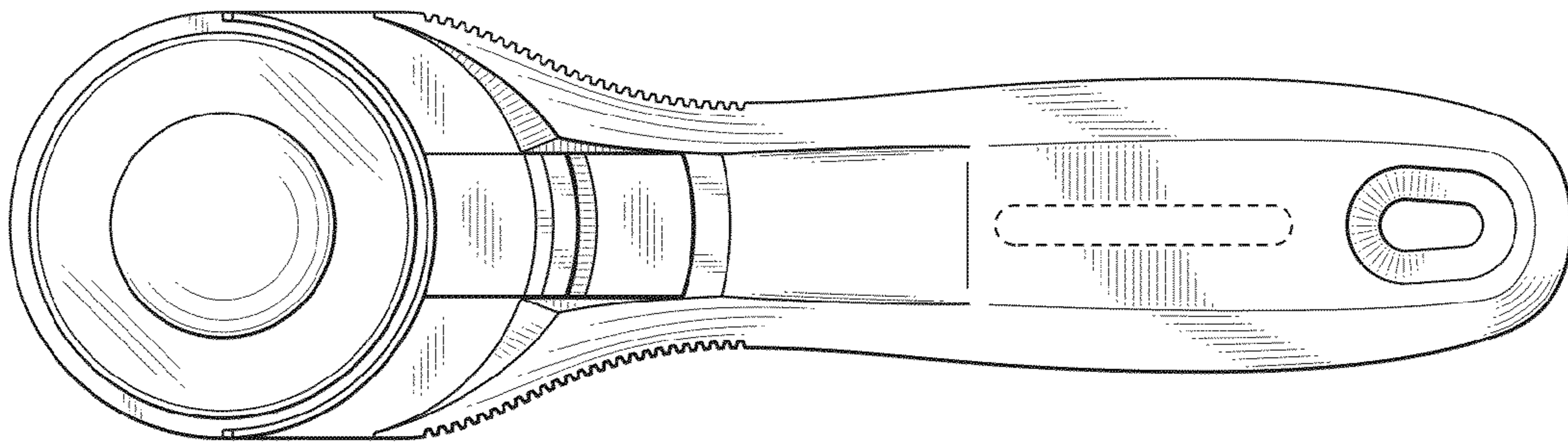


FIG. 2

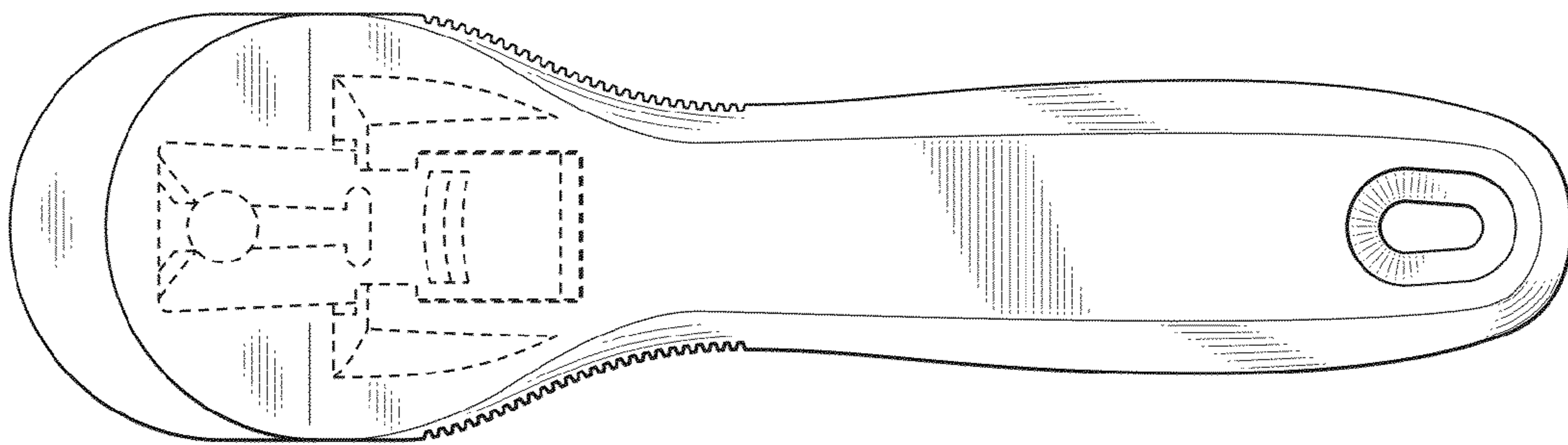


FIG. 3

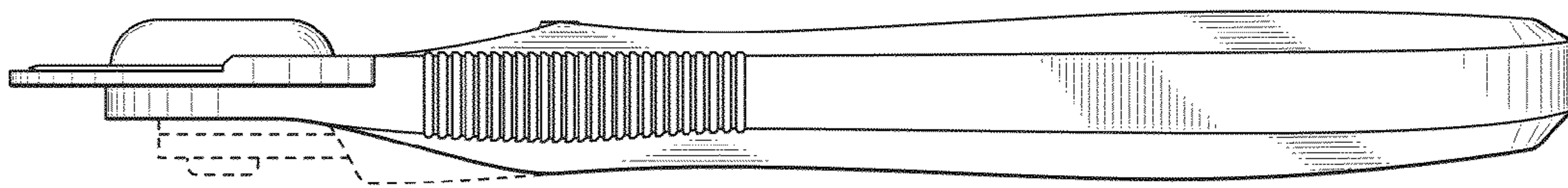


FIG. 4

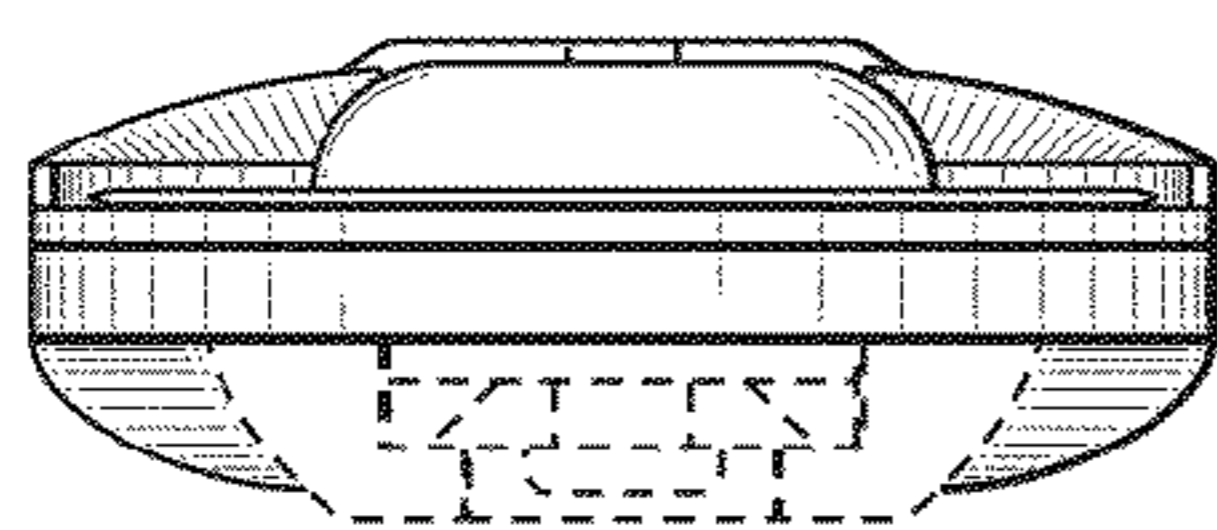


FIG. 5

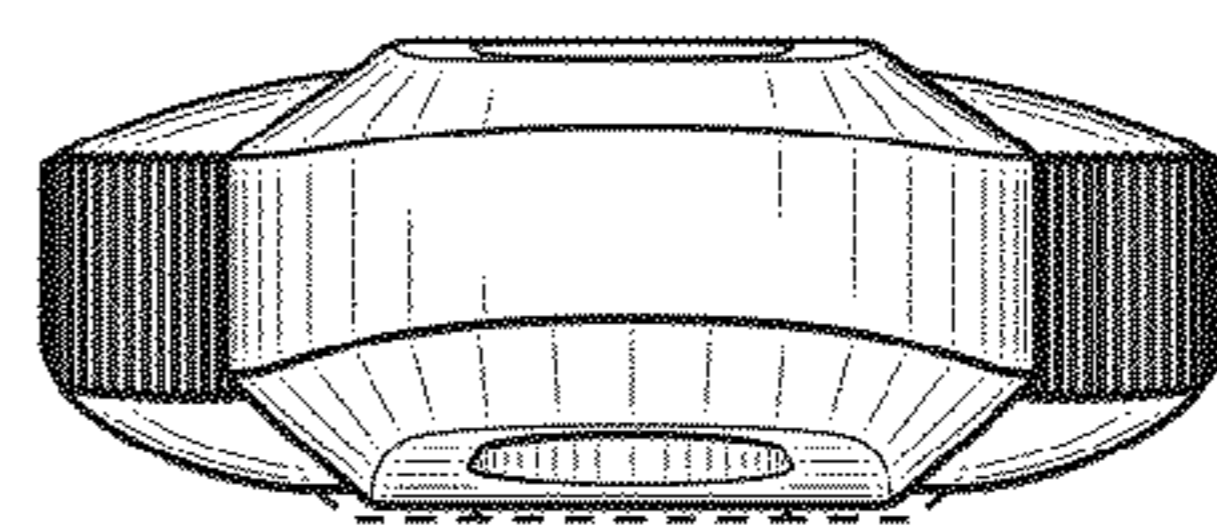


FIG. 6

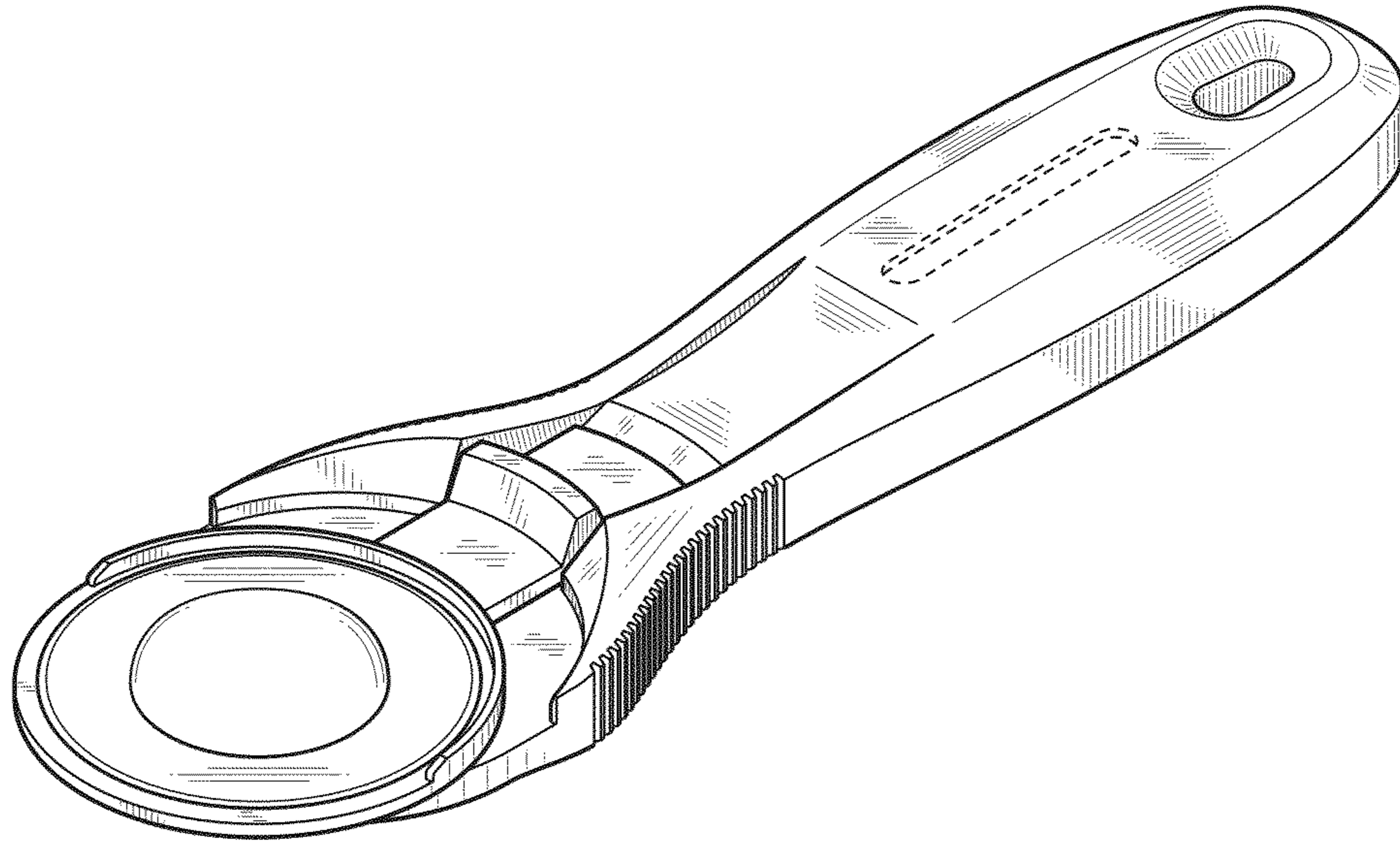


FIG. 7

