

US00D691863S

(12) **United States Design Patent**
Zirinsky et al.

(10) **Patent No.:** **US D691,863 S**

(45) **Date of Patent:** **** Oct. 22, 2013**

(54) **CUTTING BOARD**

(71) Applicant: **Michael Walter Zirinsky**,
Schwenksville, PA (US)

(72) Inventors: **Michael W. Zirinsky**, Schwenksville,
PA (US); **Michael F. Kehs**, Sellersville,
PA (US)

(73) Assignee: **Michael W. Zirinsky**, Schwenksville,
PA (US)

(**) Term: **14 Years**

(21) Appl. No.: **29/439,838**

(22) Filed: **Dec. 15, 2012**

(51) **LOC (9) Cl.** **07-04**

(52) **U.S. Cl.**
USPC **D7/698**

(58) **Field of Classification Search**
USPC D7/354, 357-360, 368, 388, 392.1,
D7/396.1, 409, 412, 505, 549, 550.1,
D7/552.1-552.2, 553.1, 553.5, 553.8,
D7/554.3-554.4, 555, 586, 637, 673,
D7/698-699; D9/456; D32/57; 30/124;
38/141; 83/761; 99/324, 357, 446-450;
261/94; 269/13-16, 54.5, 87.2, 289 R,
269/302.1, 575; 428/67

See application file for complete search history.

(56) **References Cited**

U.S. PATENT DOCUMENTS

1,693,761	A *	12/1928	Macripo	269/54.5
1,745,099	A *	1/1930	Kasper	83/761
4,015,330	A *	4/1977	Popeil et al.	30/124
4,065,115	A *	12/1977	Popeil et al.	269/16
5,106,666	A *	4/1992	Fitzgerald et al.	428/67
5,386,654	A *	2/1995	Kroenke	38/141
D475,625	S *	6/2003	Lin	D9/456
6,715,748	B2 *	4/2004	Thompson et al.	269/289 R
6,889,963	B2 *	5/2005	Niknafs et al.	261/94
D581,120	S *	11/2008	Sofy et al.	D32/57
D583,199	S *	12/2008	Johnson et al.	D7/698
D629,687	S *	12/2010	Baker	D9/456
D658,941	S *	5/2012	Trussell	D7/409

* cited by examiner

Primary Examiner — Ricky Pham

(74) *Attorney, Agent, or Firm* — Collard & Roe, P.C.

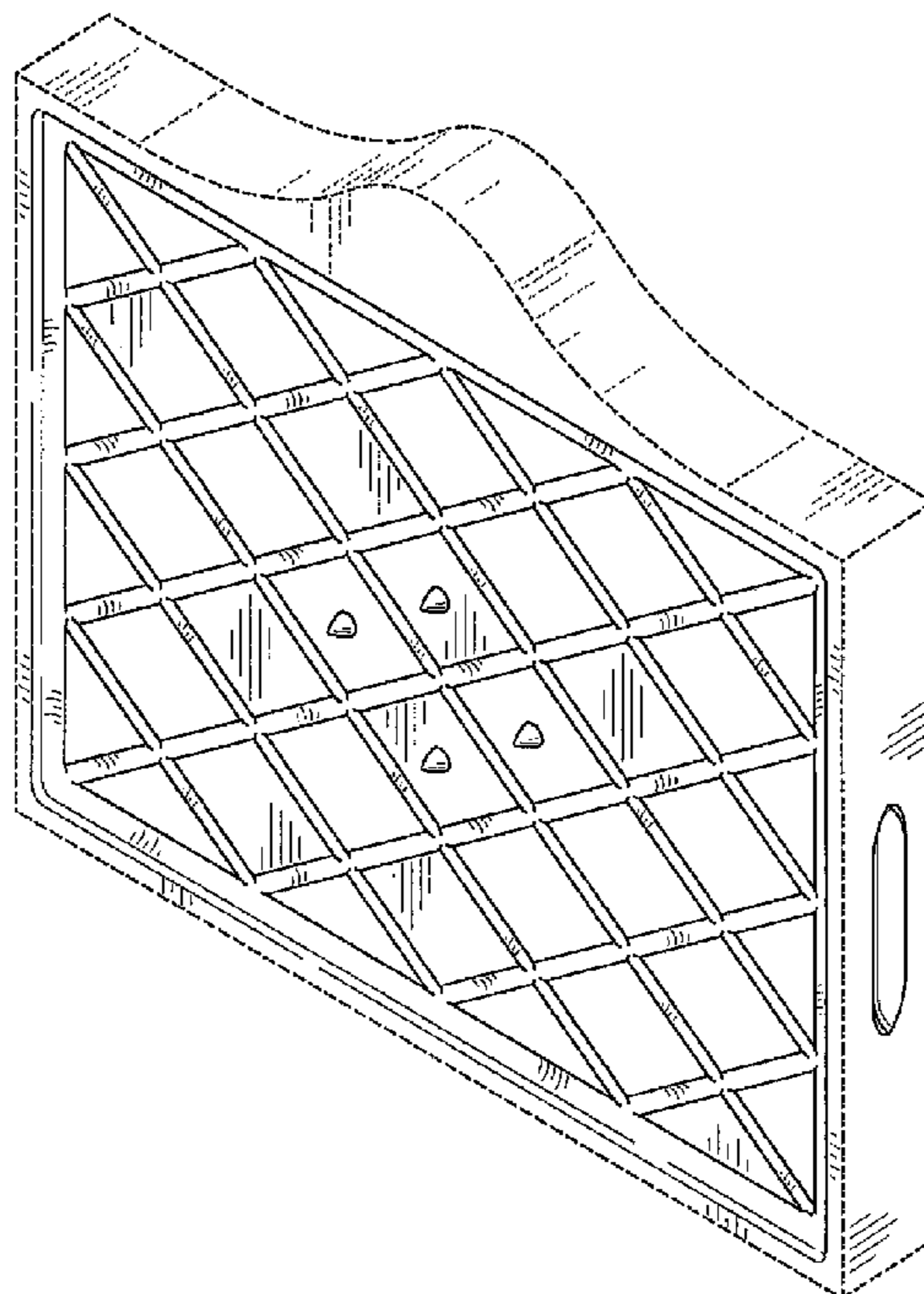
(57) **CLAIM**

The ornamental design for a cutting board, as shown and described.

DESCRIPTION

FIG. 1 is a side view of a cutting board showing our new design;
FIG. 2 is an opposite side view of FIG. 1;
FIG. 3 is a perspective view of the embodiment of FIGS. 1 and 2;
FIG. 4 is a back view of the embodiment of FIG. 3;
FIG. 5 is as front perspective view of another embodiment;
FIG. 6 is a front view of the embodiment of FIG. 5; and,
FIG. 7 is a back view of the embodiment of FIG. 5.
The areas shown in broken lines show environmental structure and form no part of the claimed design.

1 Claim, 5 Drawing Sheets



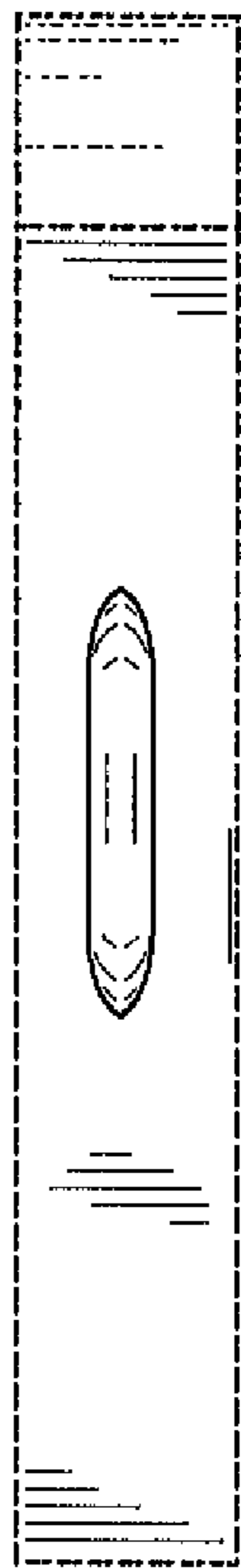


FIG. 1

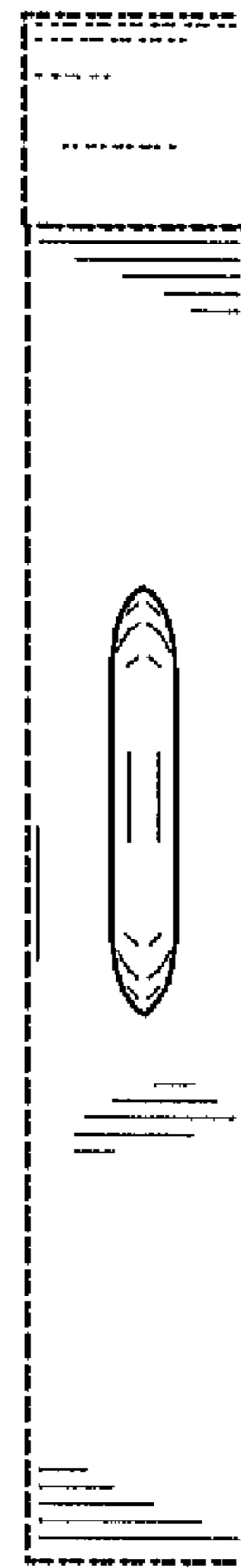


FIG. 2

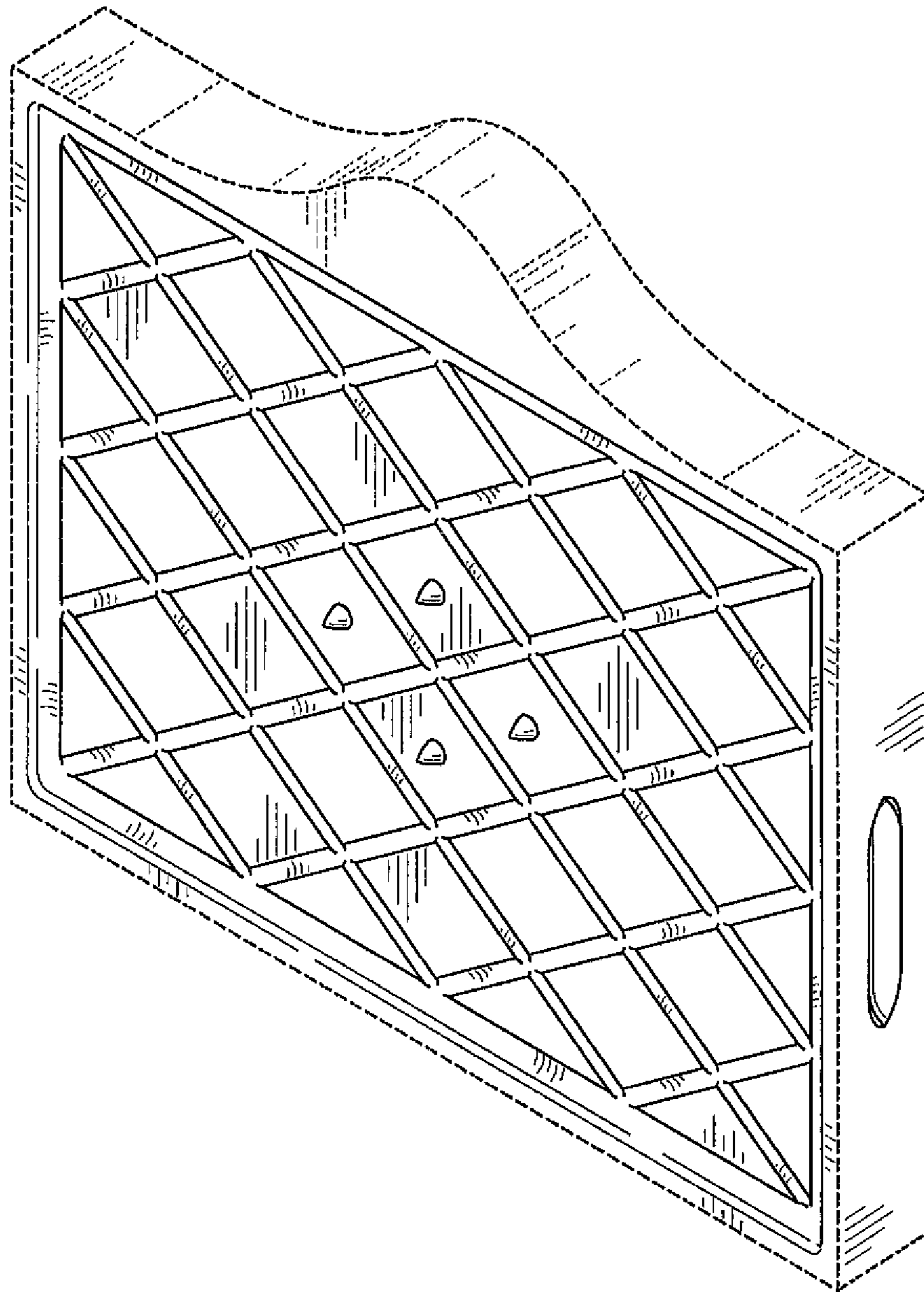


FIG. 3

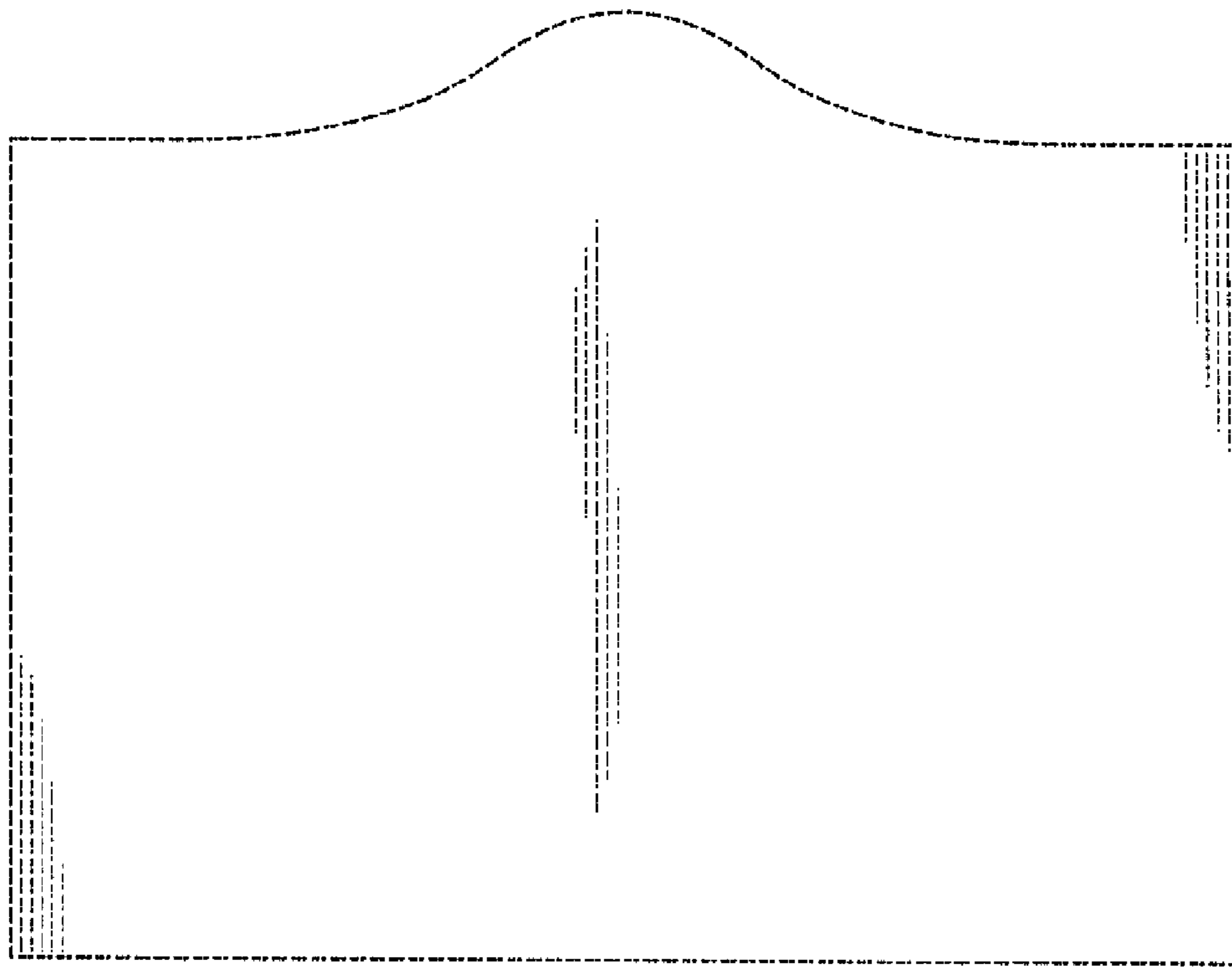


FIG. 4

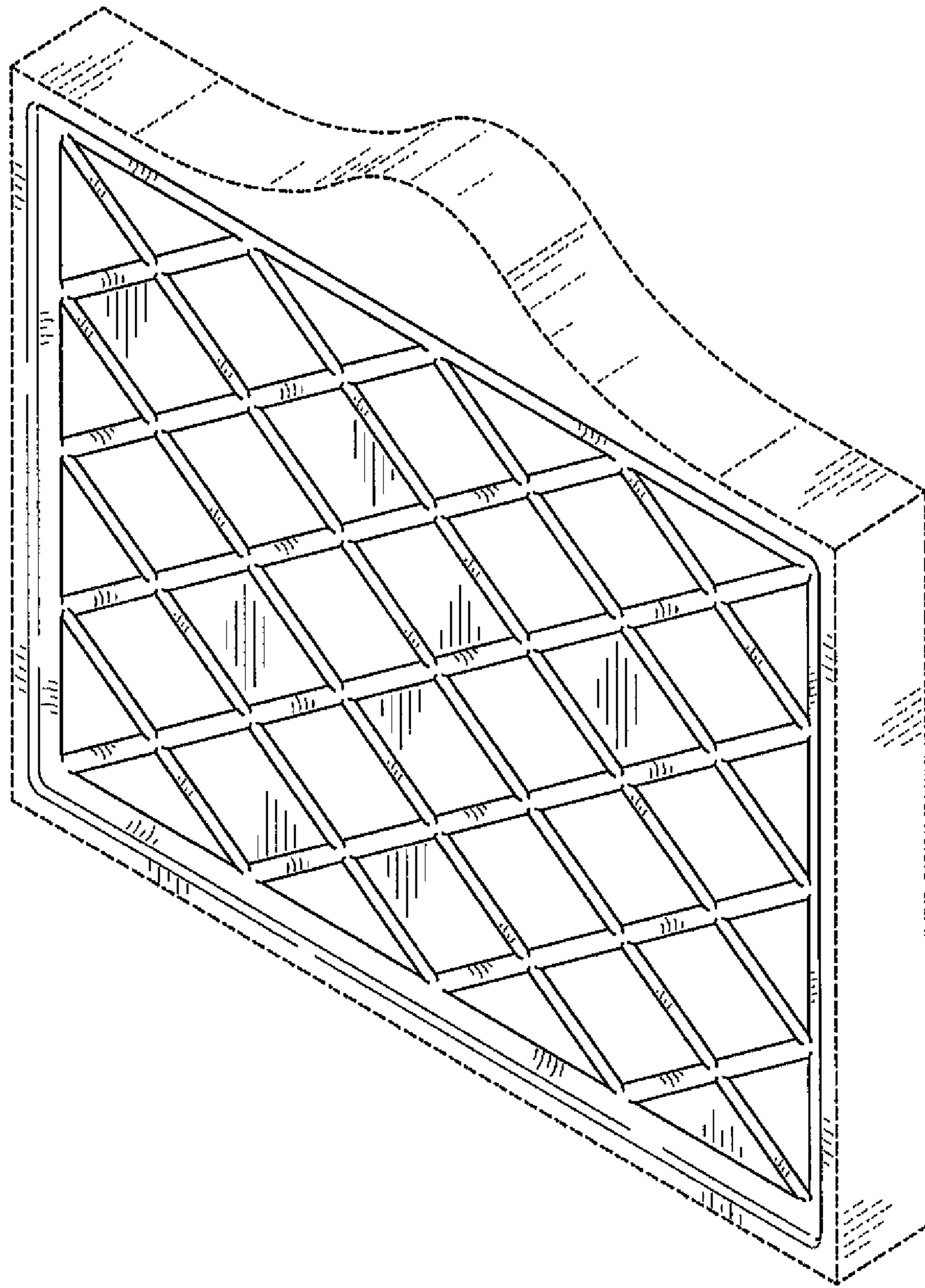


FIG. 5

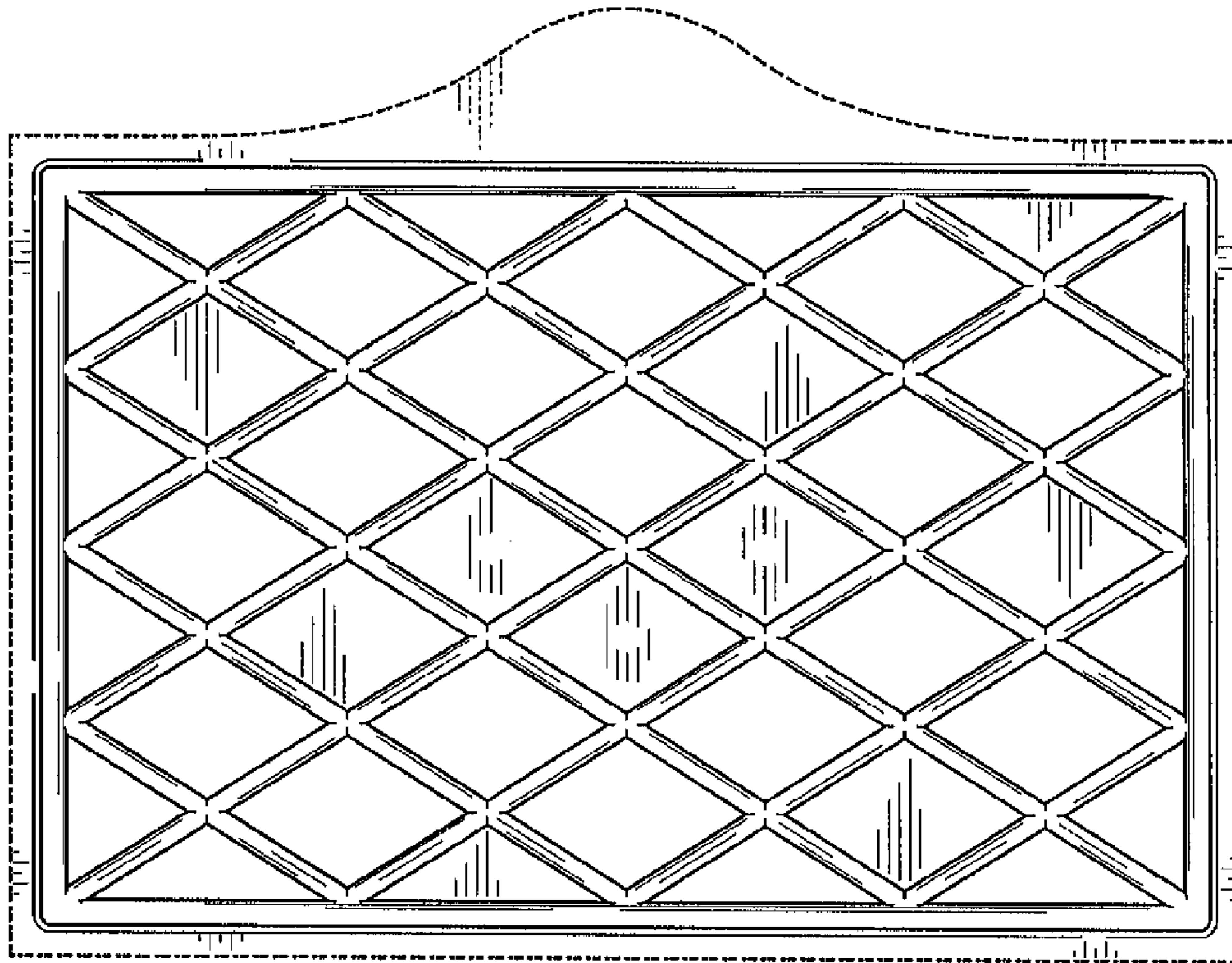


FIG. 6

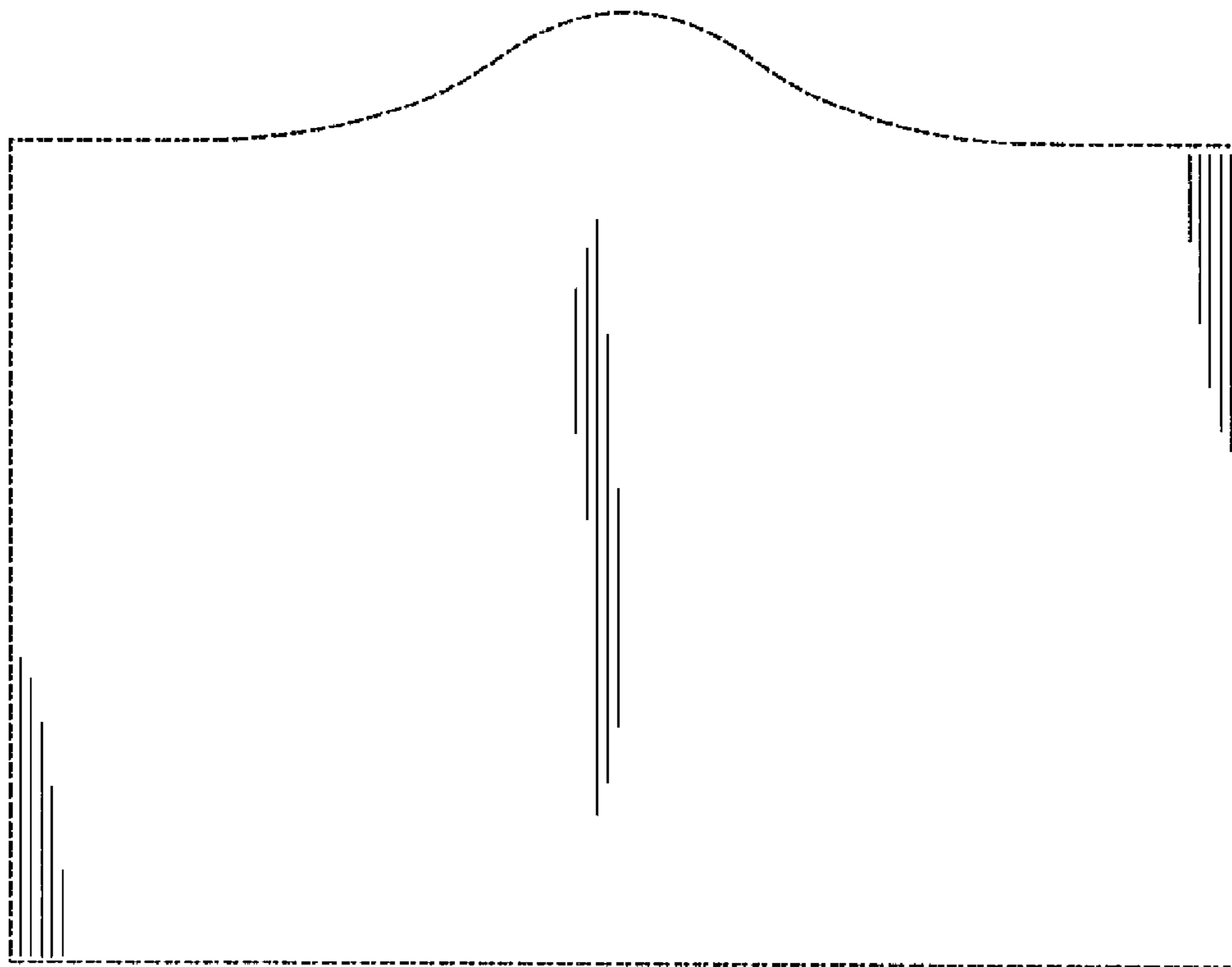


FIG. 7