



US00D691857S

(12) **United States Design Patent**
Muspratt-Williams et al.

(10) **Patent No.:** **US D691,857 S**
(45) **Date of Patent:** **** Oct. 22, 2013**

- (54) **DIVIDED PARTY TRAY**
- (71) Applicant: **Dart Industries Inc.**, Orlando, FL (US)
- (72) Inventors: **Alexander Muspratt-Williams**, London (GB); **Jan-Hendrik de Groot**e, Brussels (BE)
- (73) Assignee: **Dart Industries Inc.**, Orlando, FL (US)
- (**) Term: **14 Years**
- (21) Appl. No.: **29/436,552**
- (22) Filed: **Nov. 7, 2012**
- (51) **LOC (9) Cl.** **07-01**
- (52) **U.S. Cl.**
USPC **D7/553.6**
- (58) **Field of Classification Search**
USPC D7/550.1, 552.1, 553.1–553.6,
D7/553.7–553.9, 549, 554.2, 555, 396.1;
D9/759; 206/557, 562–564, 784, 814;
220/557, 562–564; 426/132
See application file for complete search history.

D449,966 S *	11/2001	DeMars	D7/555
D460,897 S *	7/2002	Leuenberger	D7/553.8
6,520,114 B1 *	2/2003	Chun	119/61.54
6,550,630 B1 *	4/2003	Krupa	220/575
D486,991 S *	2/2004	Lee	D7/357
D489,972 S *	5/2004	Lin	D7/553.6
D502,058 S *	2/2005	Stilz	D7/554.2
D511,273 S *	11/2005	Hadeler	D7/553.6
D515,874 S	2/2006	Aalberts		
D568,112 S *	5/2008	Epstein	D7/554.2
D573,847 S *	7/2008	Bizzell et al.	D7/629
D581,741 S *	12/2008	Virgilio	D7/587
D592,017 S *	5/2009	Bizzell	D7/629
D609,058 S *	2/2010	Roth et al.	D7/602
D611,340 S *	3/2010	Bizzell	D9/756
D618,091 S *	6/2010	Bizzell	D9/424
D624,354 S *	9/2010	Odeh	D7/359
7,934,449 B2 *	5/2011	Anderson et al.	99/426
D654,230 S *	2/2012	Tedaldi et al.	D30/129
D684,431 S *	6/2013	Holding et al.	D7/555
D686,914 S *	7/2013	Harvey et al.	D9/428

* cited by examiner

Primary Examiner — Kelley Donnelly
(74) *Attorney, Agent, or Firm* — Taylor J. Ross

(57) **CLAIM**
The ornamental design for a divided party tray, as shown and described.

(56) **References Cited**

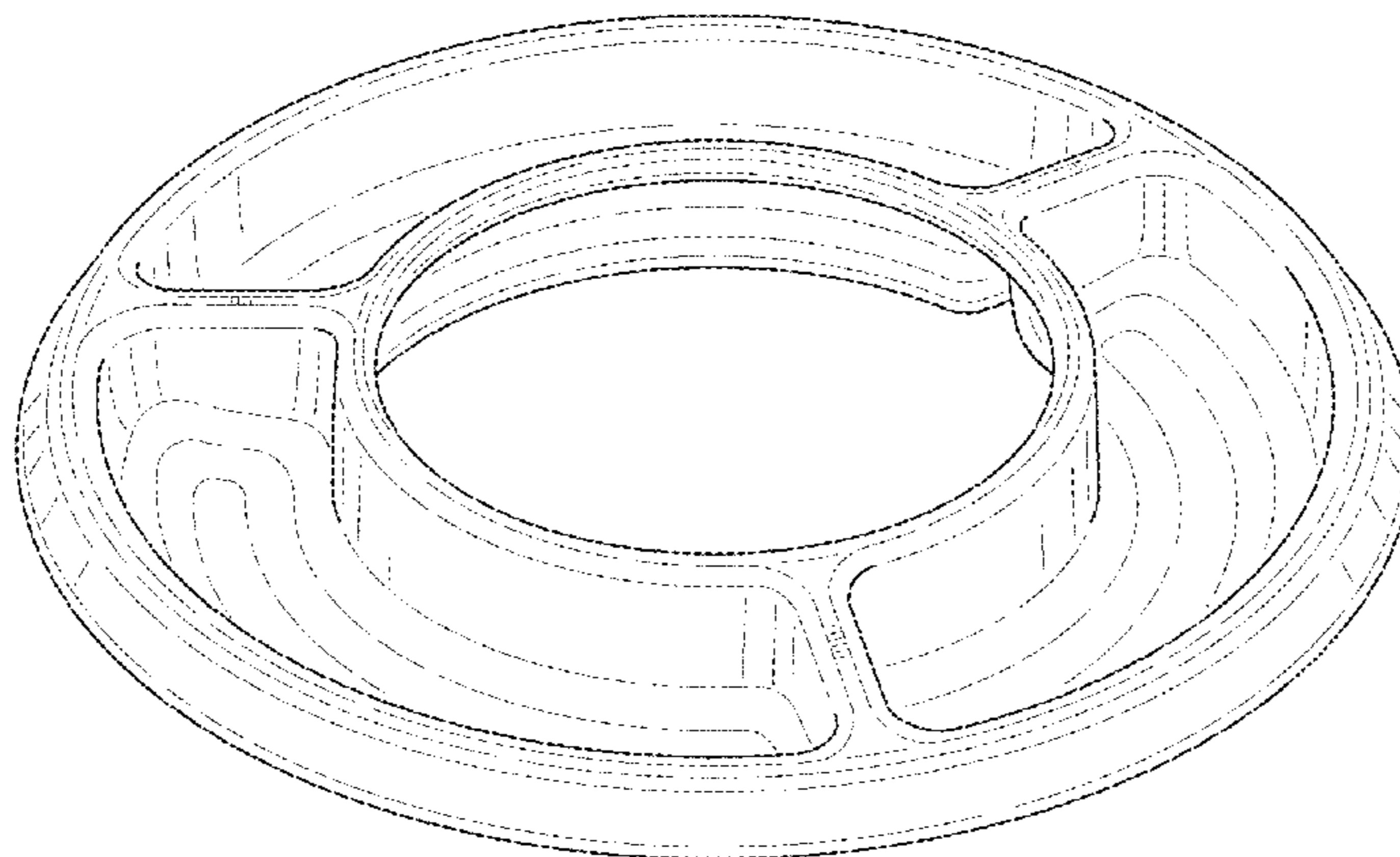
U.S. PATENT DOCUMENTS

D206,547 S	12/1966	Swett		
D221,883 S *	9/1971	Cash	D7/553.6
D237,344 S *	10/1975	Whitten	D7/553.6
D285,638 S	9/1986	Trivison		
D286,360 S	10/1986	Trivison		
D287,802 S	1/1987	Daenen		
D304,658 S *	11/1989	Mattei	D7/505
D326,743 S *	6/1992	Haynes	D30/130
D352,204 S *	11/1994	Hayes et al.	D7/553.6
D360,112 S *	7/1995	McEntee	D7/584
5,441,164 A *	8/1995	Beck et al.	220/575
5,960,982 A *	10/1999	Perlis et al.	220/574
D418,018 S *	12/1999	Winsted	D7/553.8
D426,110 S *	6/2000	Schmidt	D7/553.4

DESCRIPTION

FIG. 1 is a top, front perspective view showing our new design;
FIG. 2 is a top plan view thereof;
FIG. 3 is a bottom plan view thereof;
FIG. 4 is a front elevation view thereof;
FIG. 5 is a rear elevation view thereof;
FIG. 6 is a right side elevation view thereof, the left side being a mirror image; and,
FIG. 7 is a cross-sectional view along line 7-7 of FIG. 2.

1 Claim, 4 Drawing Sheets



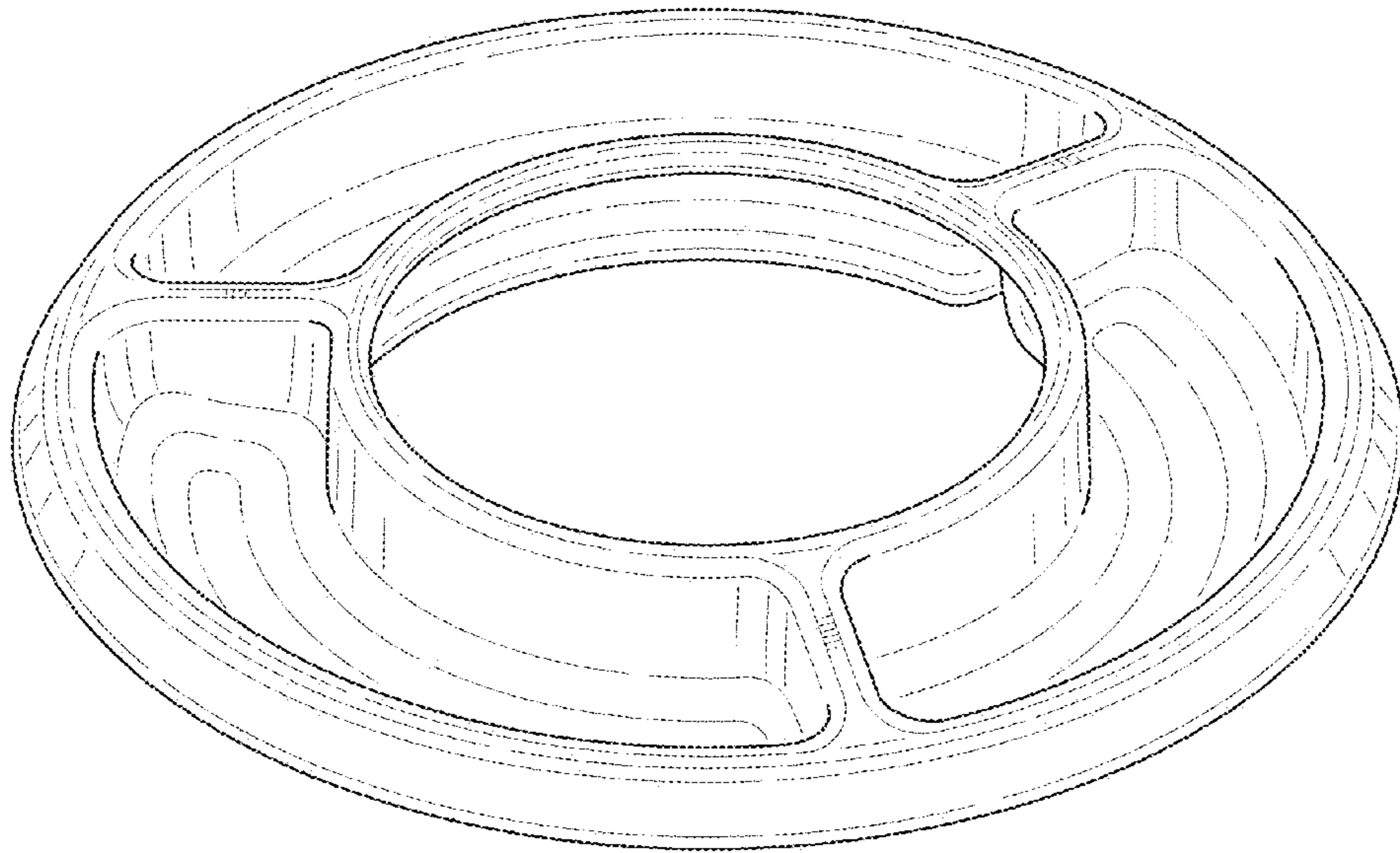


FIG. 1

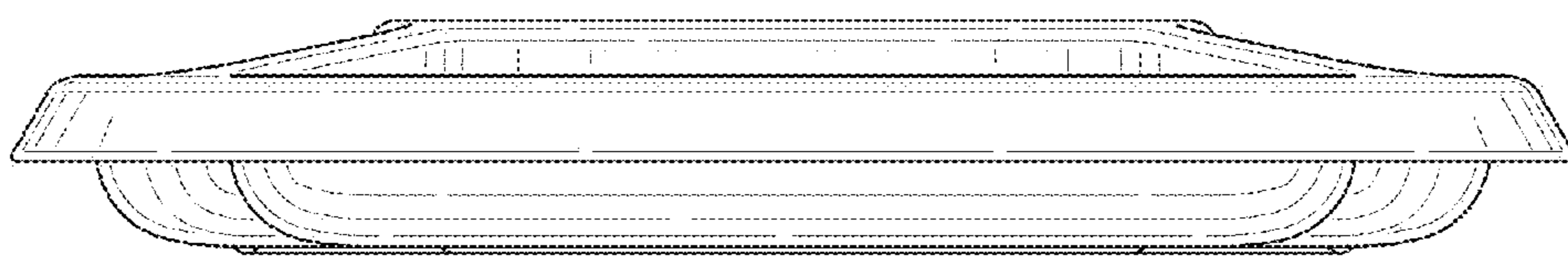
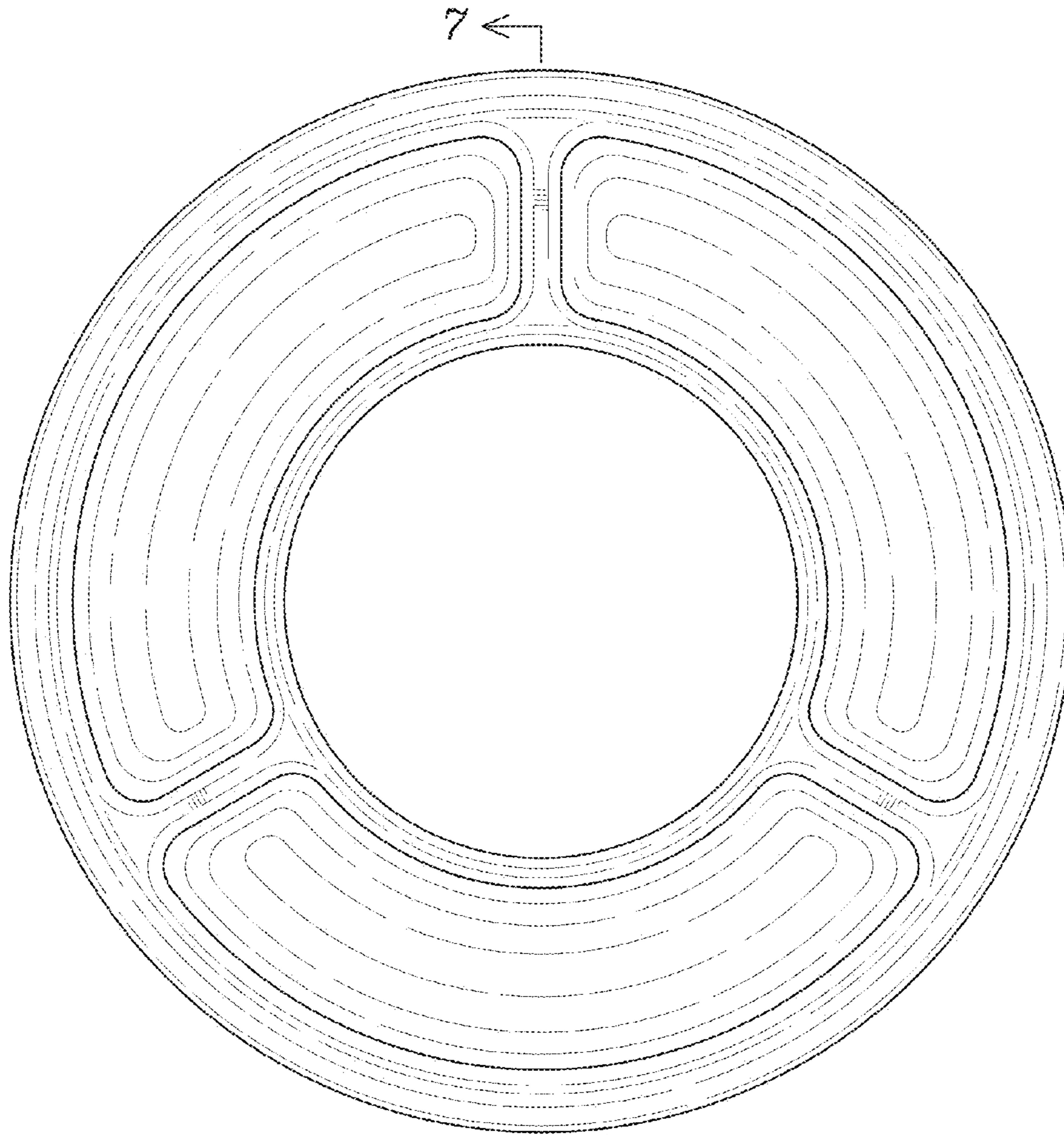


FIG. 4



7 ←

FIG. 2

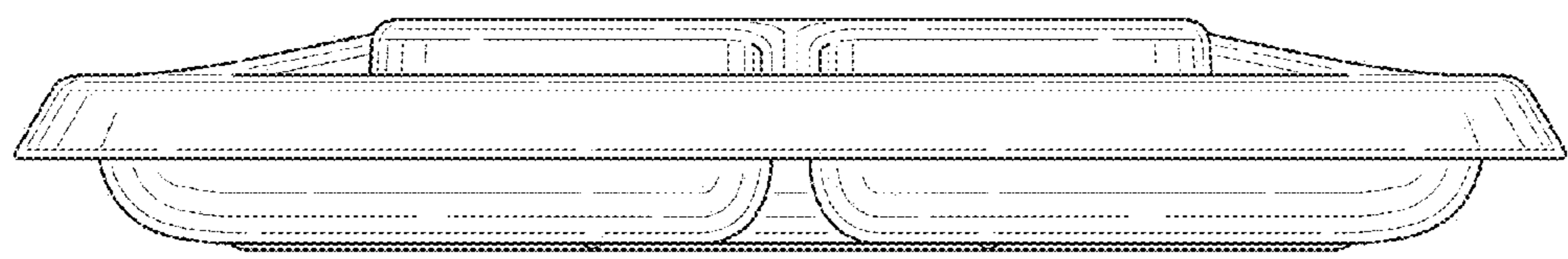


FIG. 5

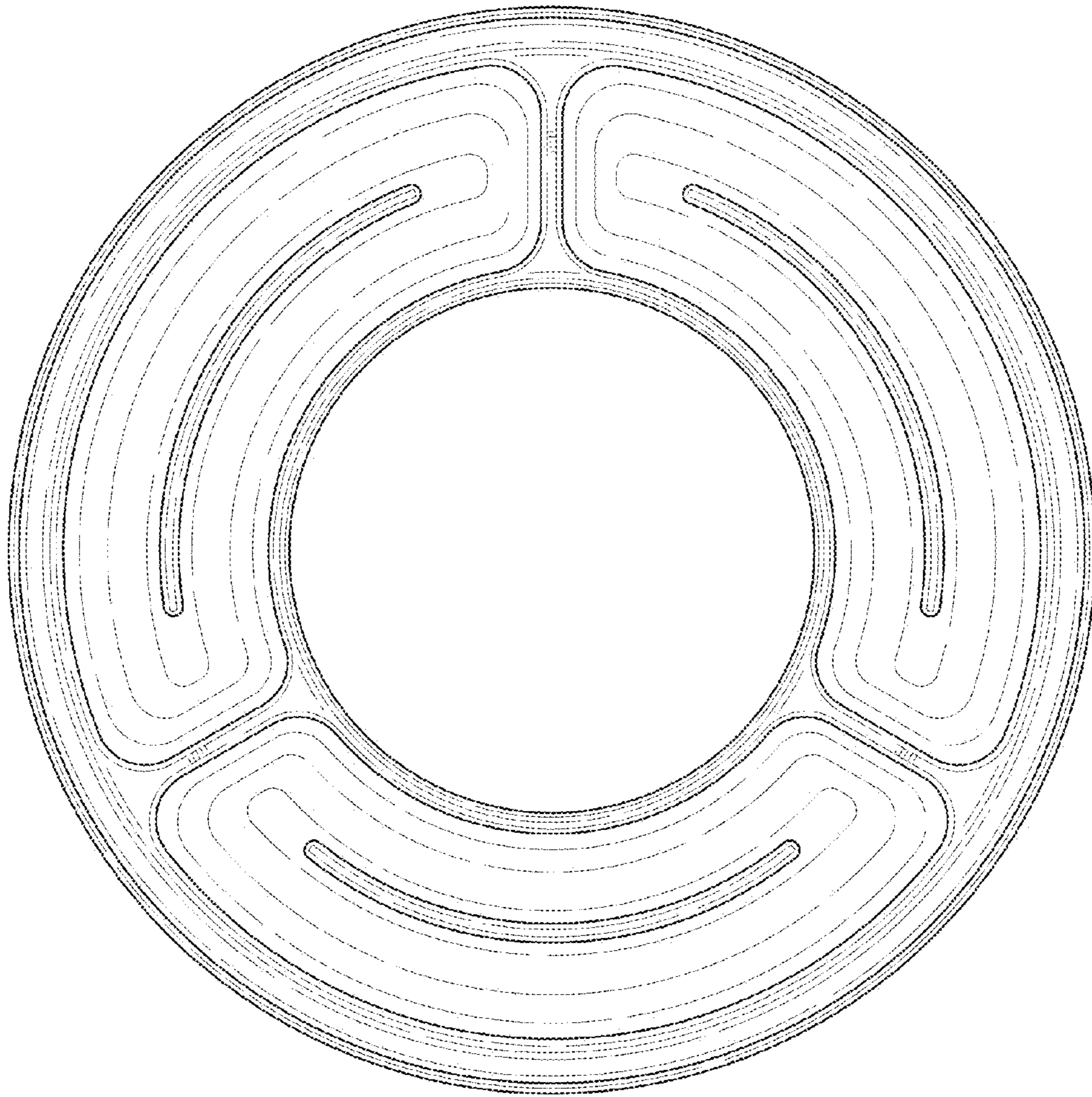


FIG. 3

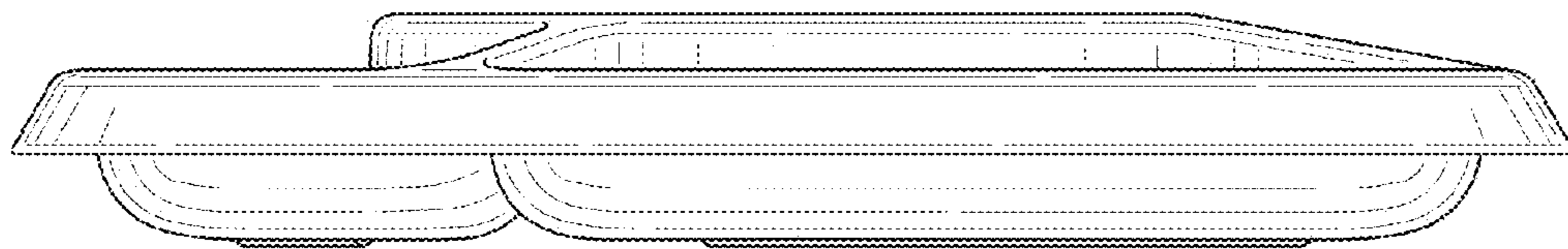


FIG. 6

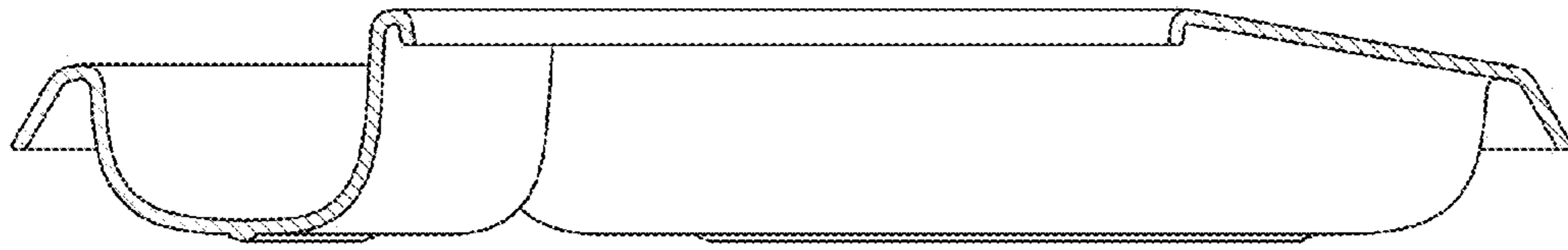


FIG. 7