



US00D691855S

(12) **United States Design Patent**
Dabney-Wiggs

(10) **Patent No.:** **US D691,855 S**

(45) **Date of Patent:** **** Oct. 22, 2013**

(54) **FOOD TRAY**

(71) Applicant: **Michele Dabney-Wiggs**, Newport Beach, CA (US)

(72) Inventor: **Michele Dabney-Wiggs**, Newport Beach, CA (US)

(73) Assignee: **Michele Dabney-Wiggs**, Newport Beach, CA (US)

(**) Term: **14 Years**

(21) Appl. No.: **29/446,435**

(22) Filed: **Feb. 22, 2013**

(51) **LOC (9) Cl.** **07-01**

(52) **U.S. Cl.**
USPC **D7/553.2**

(58) **Field of Classification Search**
USPC D7/553.1, 553.2-554.1, 586-587,
D7/554.3; D9/424-425, 432; 220/23.83,
220/500, 507, 528-529, 212; 206/139, 223,
206/427, 557, 562-564, 541
See application file for complete search history.

(56) **References Cited**

U.S. PATENT DOCUMENTS

D360,183 S * 7/1995 Girandola D12/425
D368,627 S * 4/1996 McSpadden D7/553.6
D400,373 S * 11/1998 Thoesen D6/469
D417,785 S * 12/1999 Daniels D3/313

D450,130 S * 11/2001 Goldstein D24/227
D548,538 S * 8/2007 Liu D7/629
D572,540 S * 7/2008 Shew et al. D7/629
D575,585 S * 8/2008 Geens D7/553.2
D610,876 S * 3/2010 Busby D7/555
D615,821 S * 5/2010 Stamper D7/541
D653,083 S * 1/2012 Hatcher et al. D7/553.5
D653,084 S * 1/2012 Borghini D7/553.8
8,167,129 B2 * 5/2012 Hatcher 206/565
D672,209 S * 12/2012 Lion et al. D7/629

* cited by examiner

Primary Examiner — Kelley Donnelly

(74) *Attorney, Agent, or Firm* — Haynes and Boone, LLP

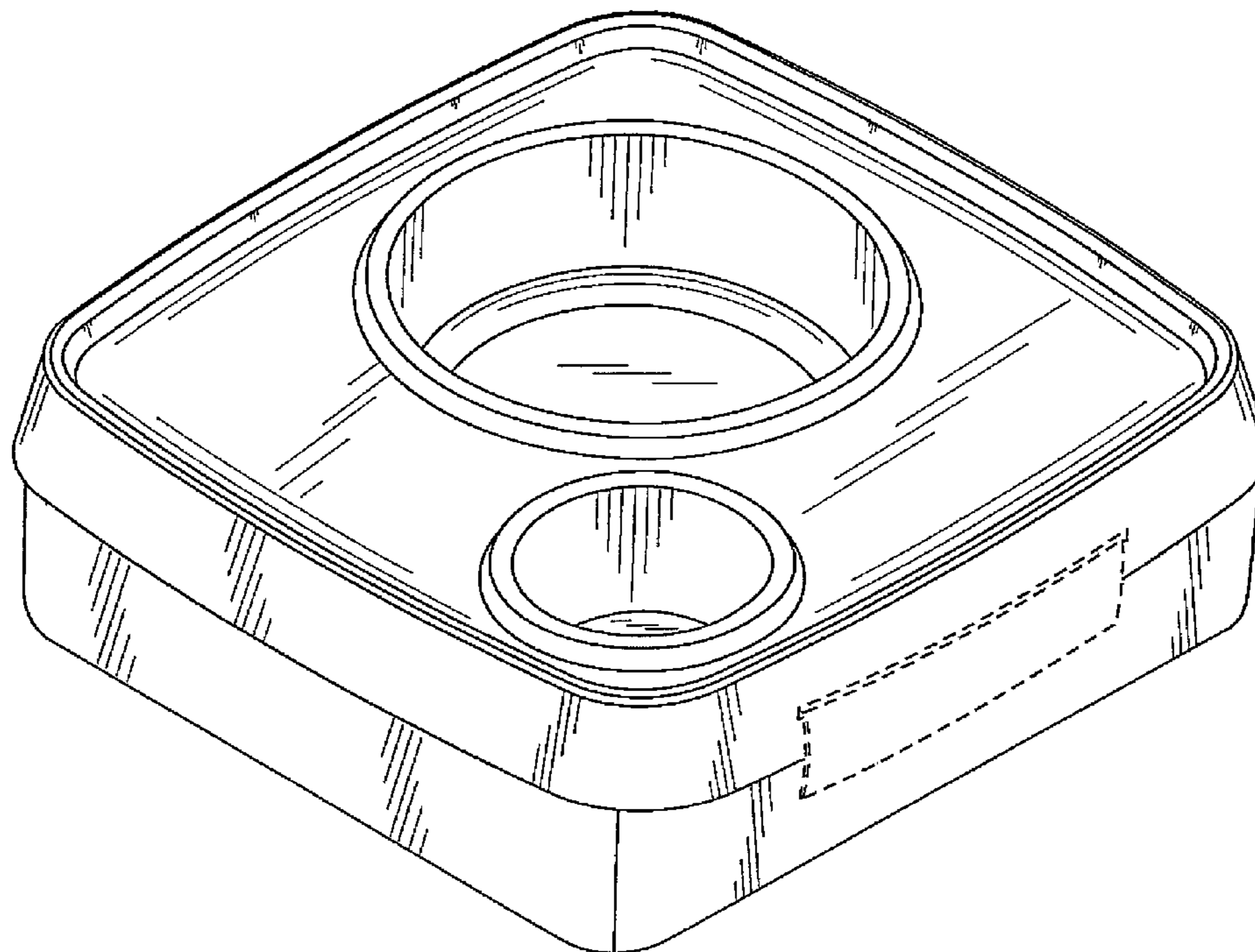
(57) **CLAIM**

The ornamental design for a food tray, as shown and described.

DESCRIPTION

FIG. 1 is a front perspective view of a food tray showing the new design;
FIG. 2 is a top side elevational view thereof;
FIG. 3 is a bottom side elevational view thereof;
FIG. 4 is a right side elevational view thereof;
FIG. 5 is a left side elevational view thereof;
FIG. 6 is a top side elevational view thereof; and,
FIG. 7 is a bottom side elevational view thereof.
The broken lines are for the purpose of illustrating the environment of the design only and form no part of the claimed design.

1 Claim, 5 Drawing Sheets



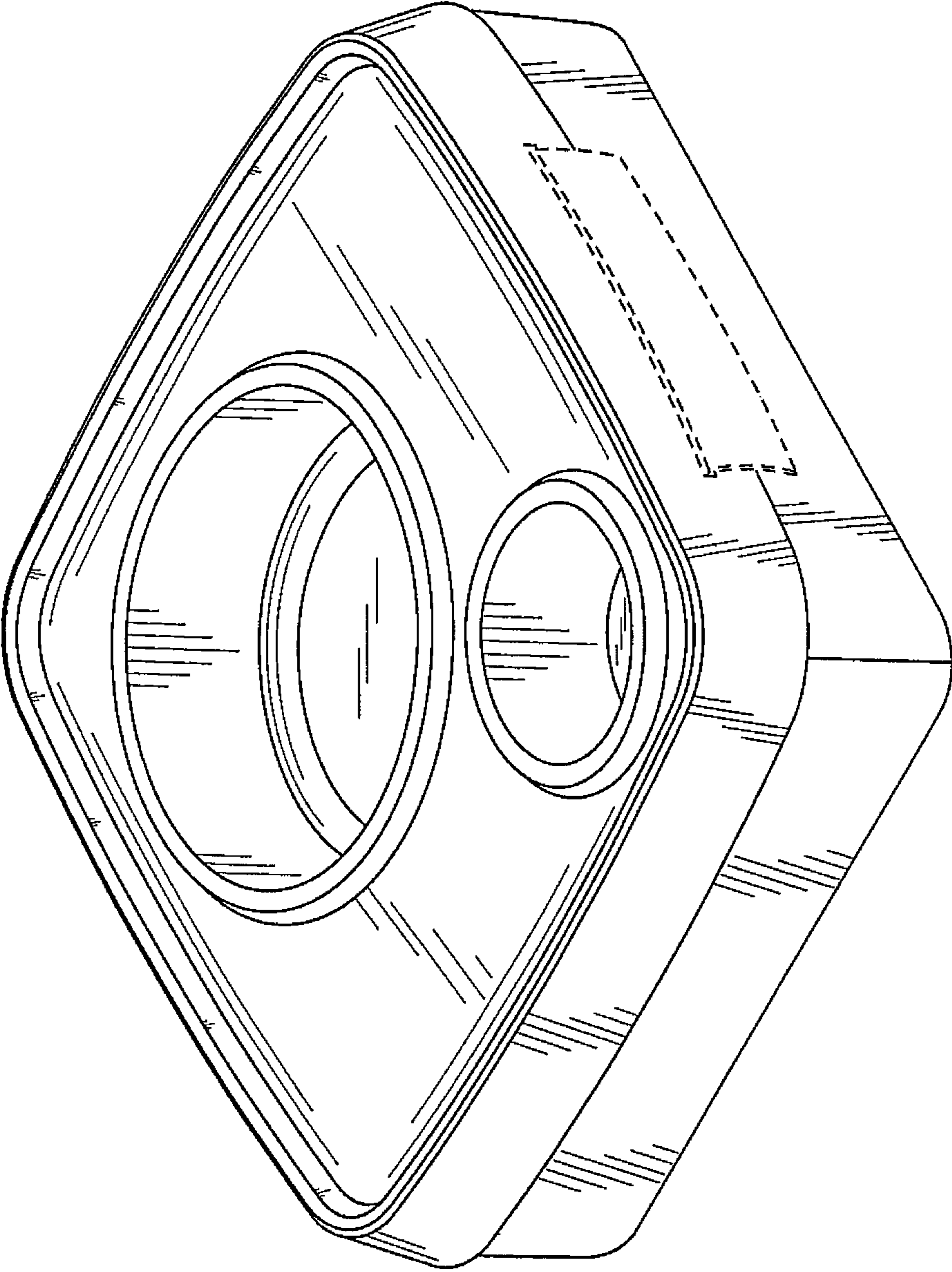


FIG. 1

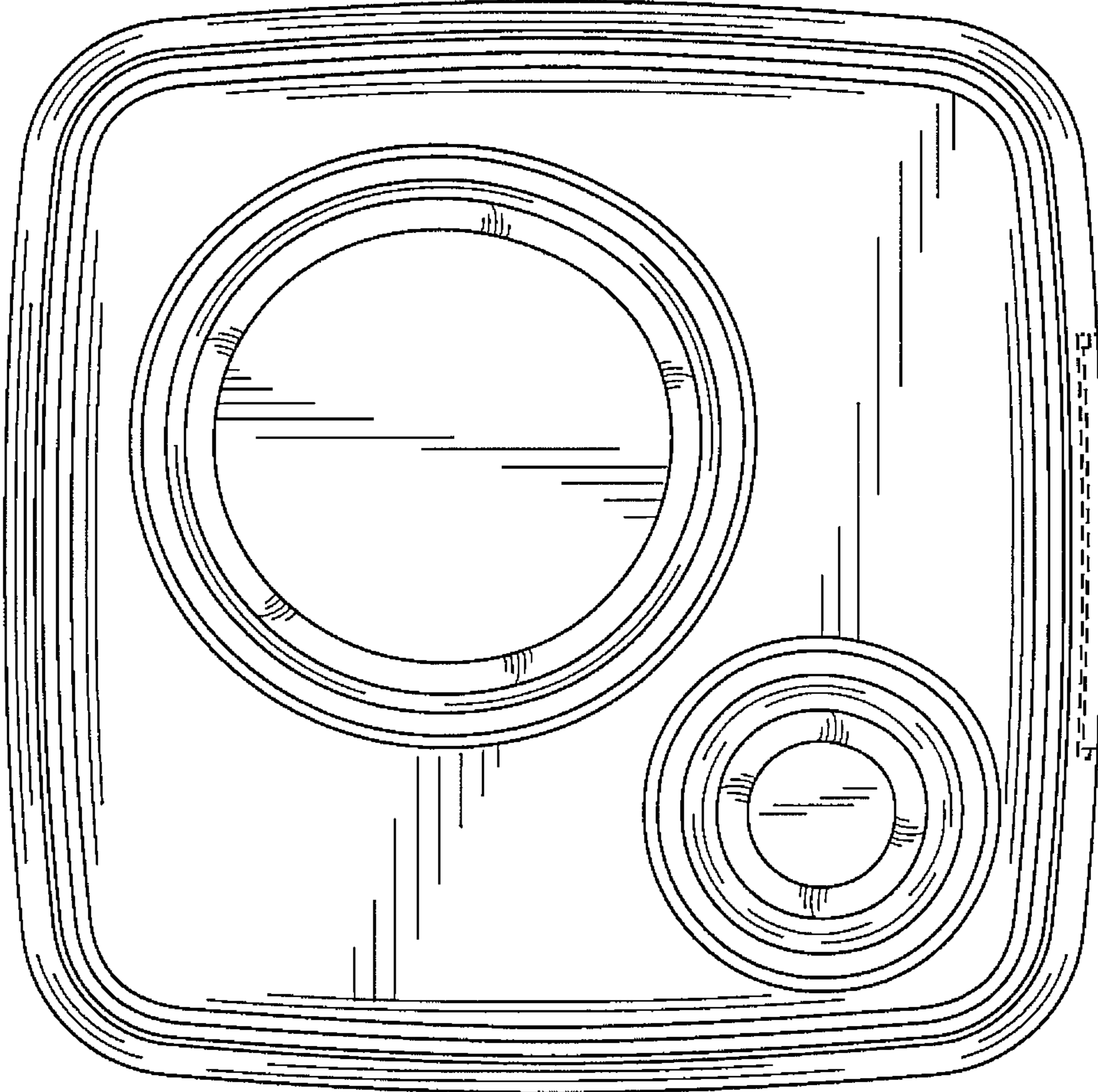


FIG. 2

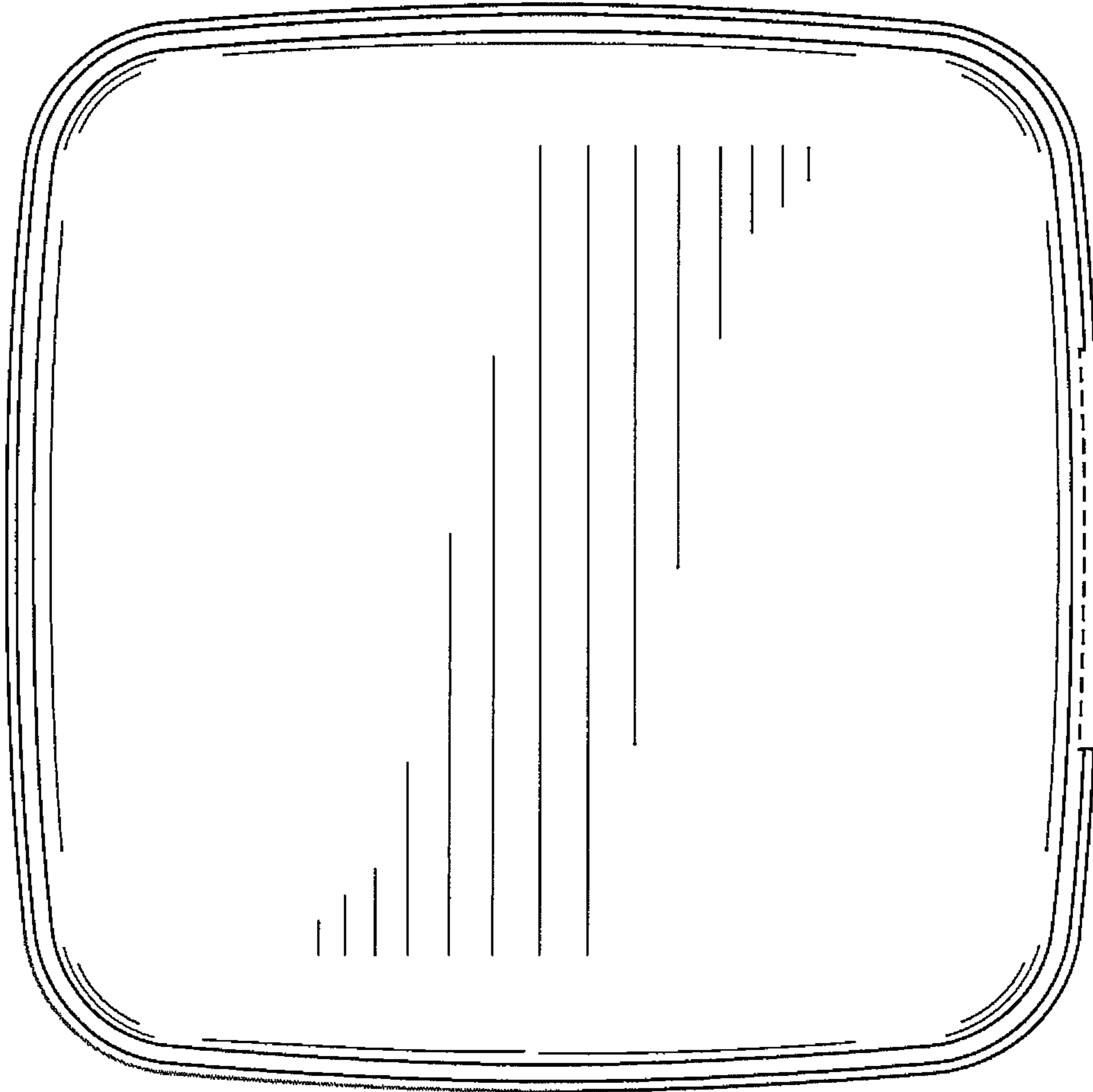


FIG. 3

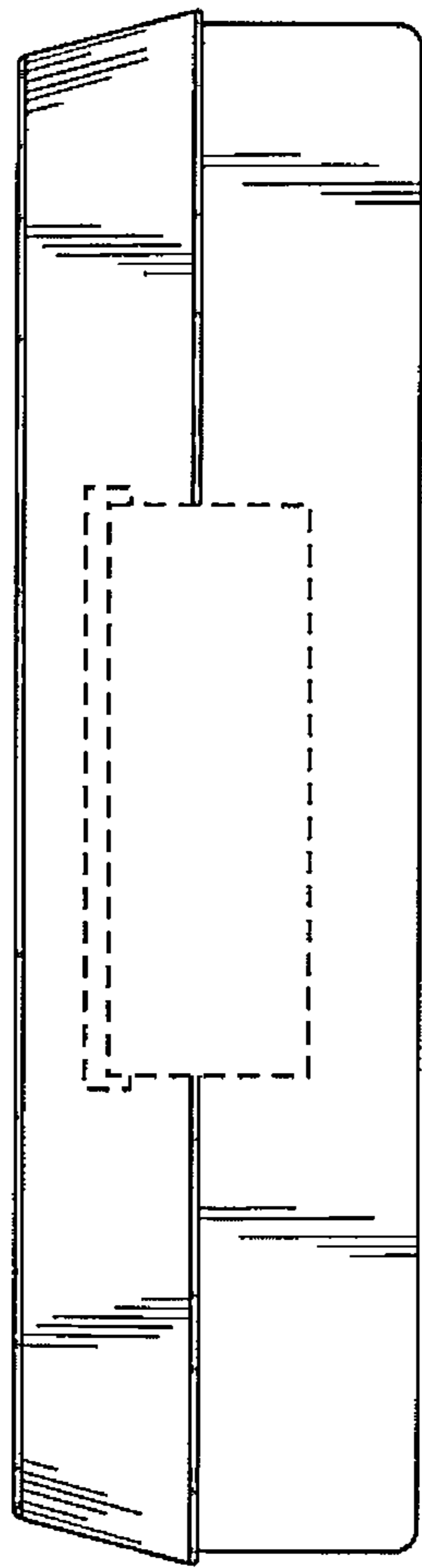


FIG. 4

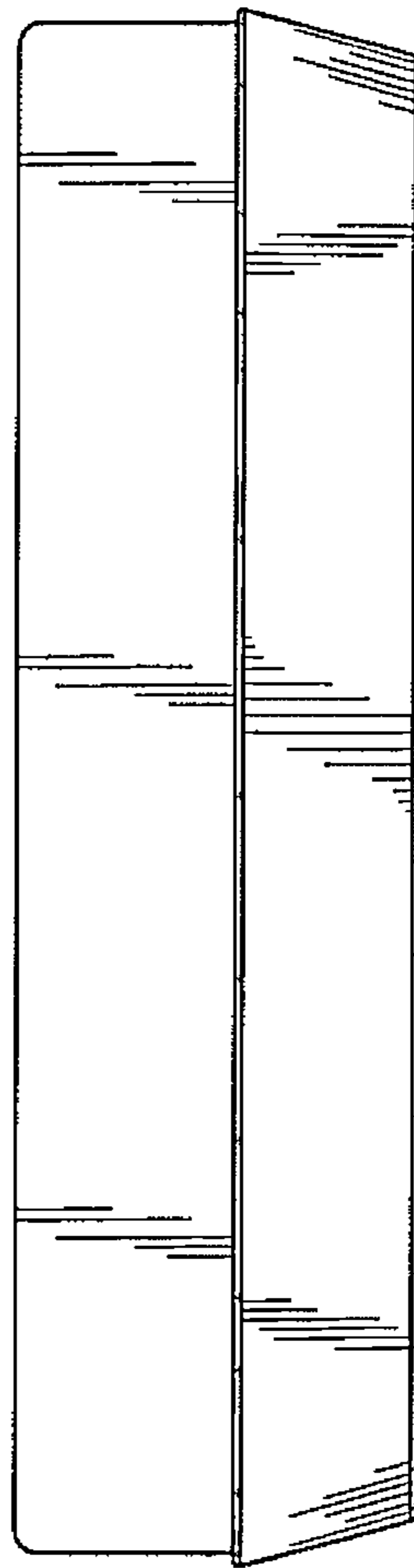


FIG. 5

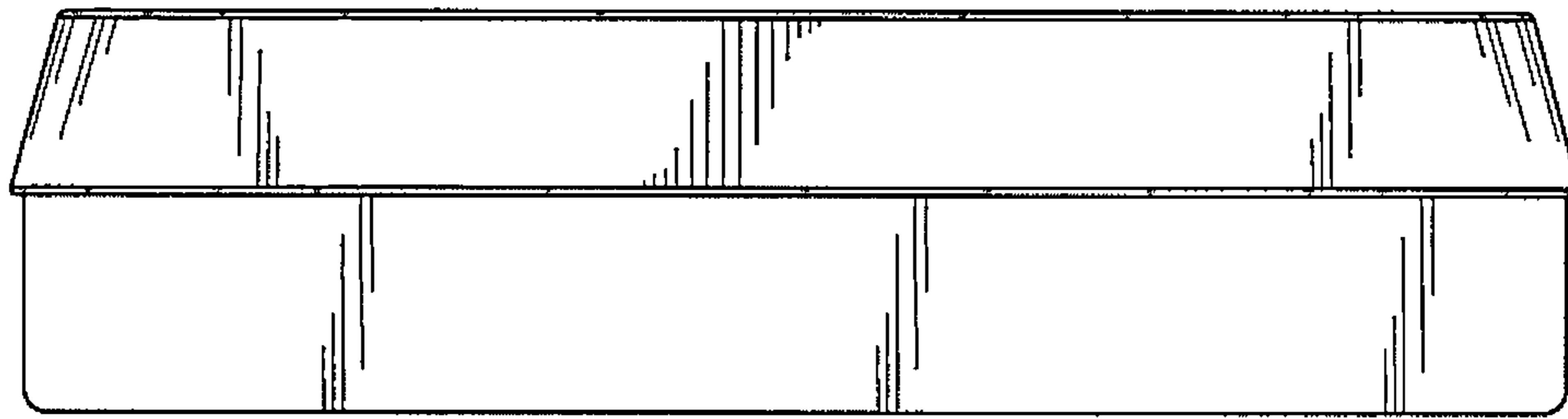


FIG. 6

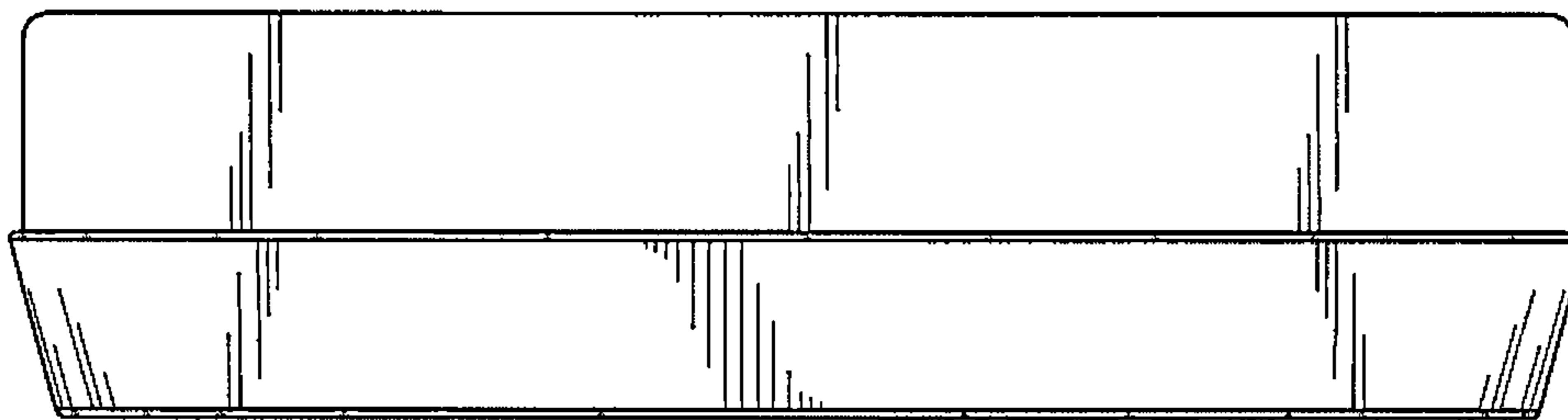


FIG. 7