



US00D691852S

(12) **United States Design Patent**
Deemter et al.

(10) **Patent No.:** **US D691,852 S**

(45) **Date of Patent:** **** Oct. 22, 2013**

(54) **CHEESE DISTRIBUTOR**

(75) Inventors: **Kent A. Deemter**, Hudsonville, MI (US); **Tyler W. McCoy**, Holland, MI (US); **Bret A. Hoeksema**, Zeeland, MI (US); **Sean M. Heslip**, Manchester, MI (US); **Amanda B. Thomas**, Livonia, MI (US)

(73) Assignee: **Little Caesar Enterprises, Inc.**, Detroit, MI (US)

(**) Term: **14 Years**

(21) Appl. No.: **29/420,134**

(22) Filed: **May 4, 2012**

(51) **LOC (9) Cl.** **31-00**

(52) **U.S. Cl.**
USPC **D7/412**

(58) **Field of Classification Search**
USPC D7/368, 369-385, 412, 414, 665-668;
D15/127, 138, 143; 99/450.1-450.8,
99/348, 349, 353, 386, 443 C; 83/155,
83/698.11, 703; 241/100, 168, 169, 169.1,
241/273.1-273.4, 30, 33, 36, 37.5
See application file for complete search history.

(56) **References Cited**

U.S. PATENT DOCUMENTS

D485,474 S * 1/2004 Wong D7/665
D512,881 S * 12/2005 Bertulis et al. D7/665

D513,942 S * 1/2006 de Groote D7/665
D581,746 S * 12/2008 Holmes D7/665
D628,860 S * 12/2010 Reay D7/665

* cited by examiner

Primary Examiner — Terry Wallace

(74) *Attorney, Agent, or Firm* — Honigman Miller Schwartz and Cohn LLP

(57) **CLAIM**

The ornamental design for a cheese distributor, as shown and described.

DESCRIPTION

FIG. 1 is a top perspective view of a cheese distributor showing our new design.

FIG. 2 is a bottom perspective view of the cheese distributor shown in FIG. 1.

FIG. 3 is a front view of the cheese distributor shown in FIG. 1;

FIG. 4 is a back view of the cheese distributor shown in FIG. 1;

FIG. 5 is a right view of the cheese distributor shown in FIG. 1;

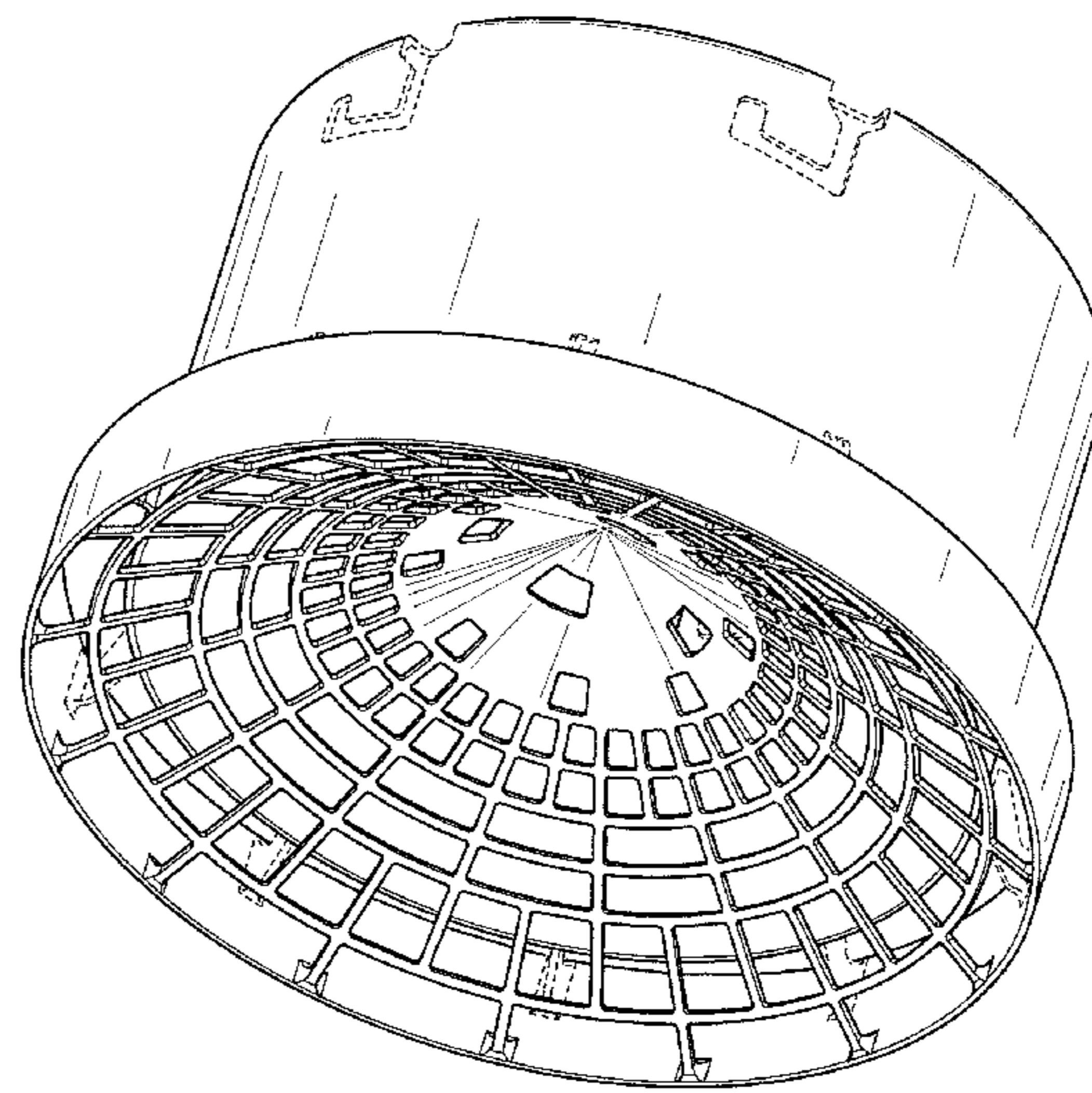
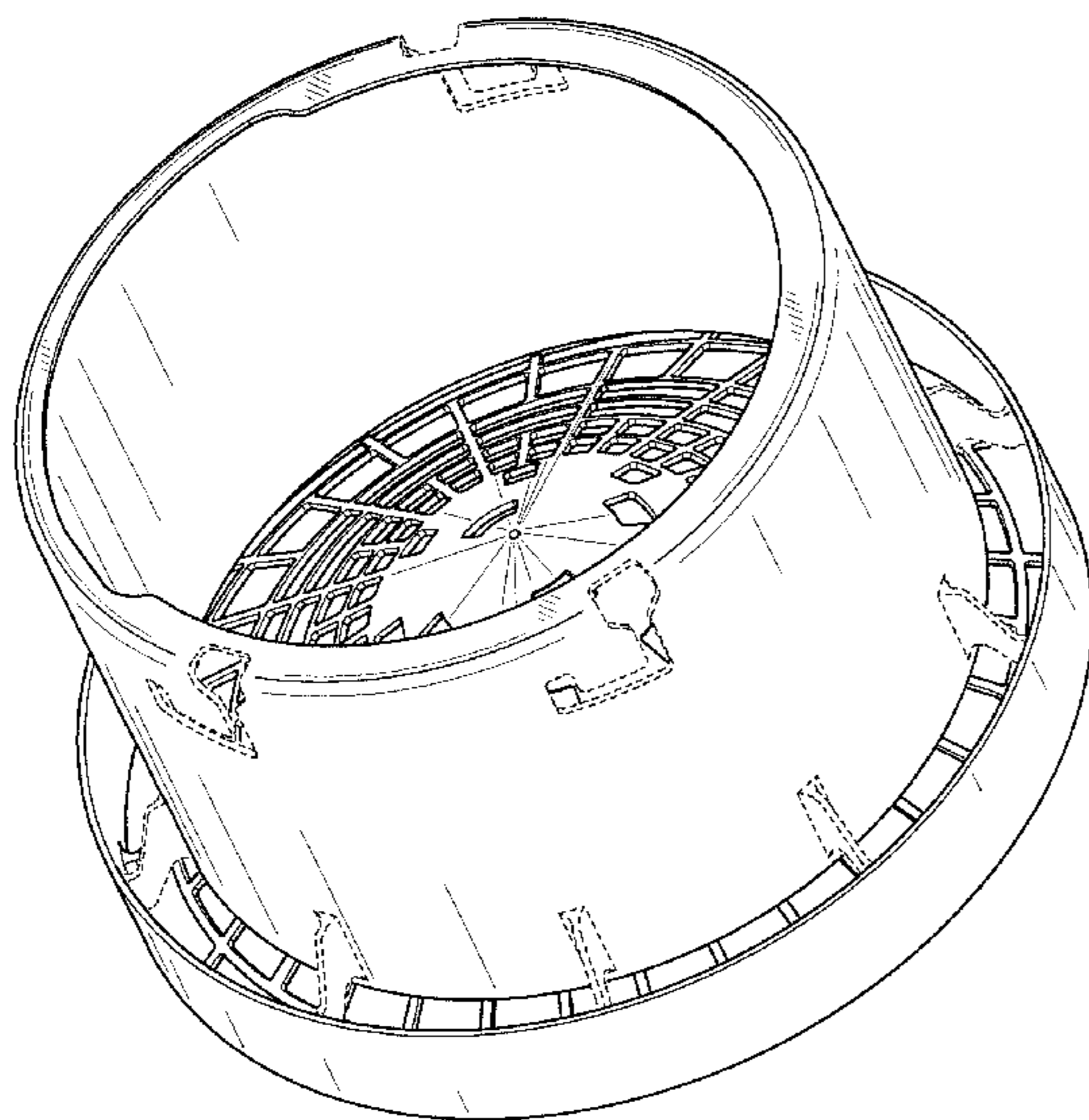
FIG. 6 is a left view of the cheese distributor shown in FIG. 1;

FIG. 7 is a top view of the cheese distributor shown in FIG. 1; and,

FIG. 8 is a bottom view of the cheese distributor shown in FIG. 1.

The broken lines are for illustrative purposes and form no part of the invention.

1 Claim, 8 Drawing Sheets



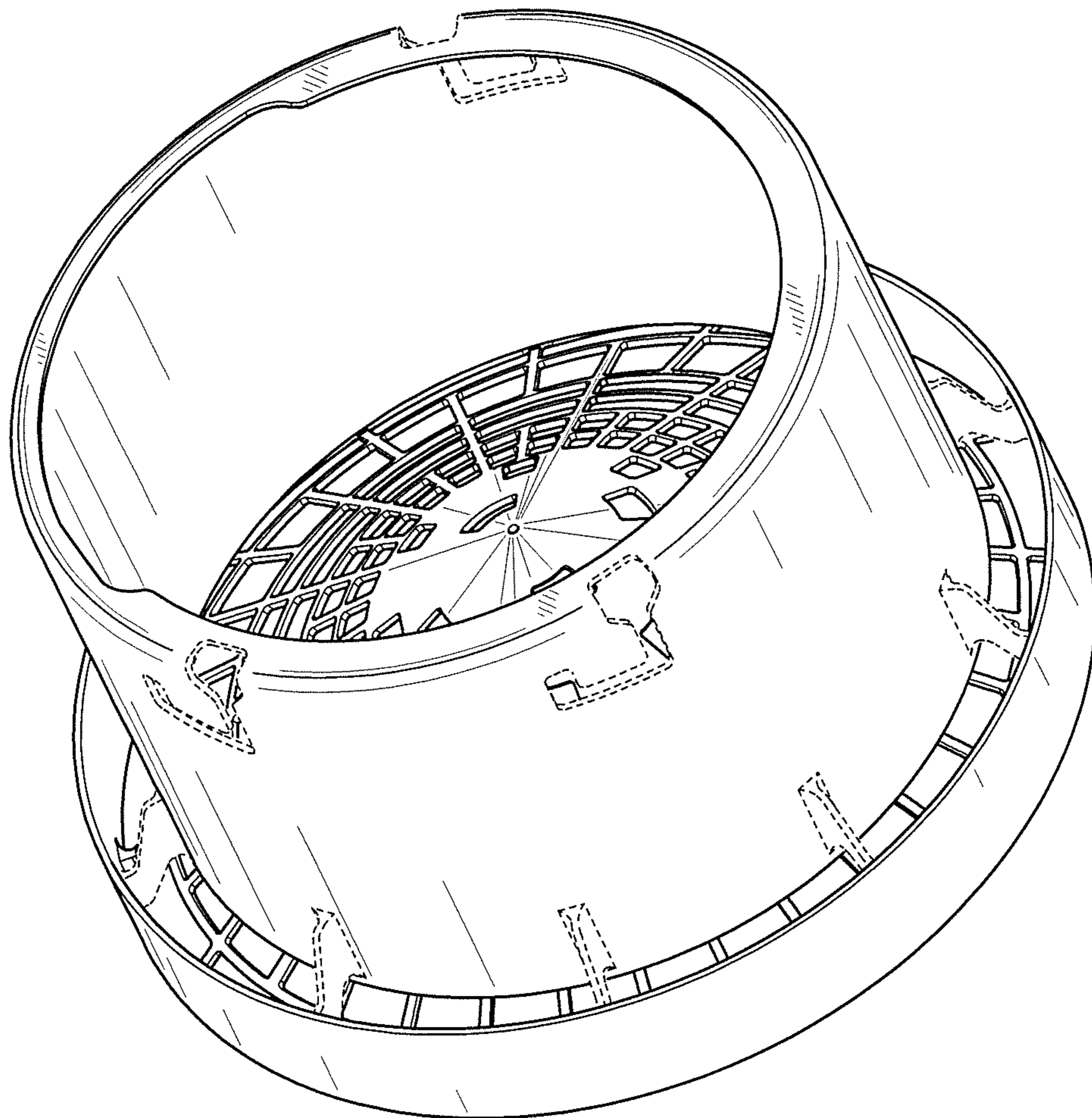


FIG. 1

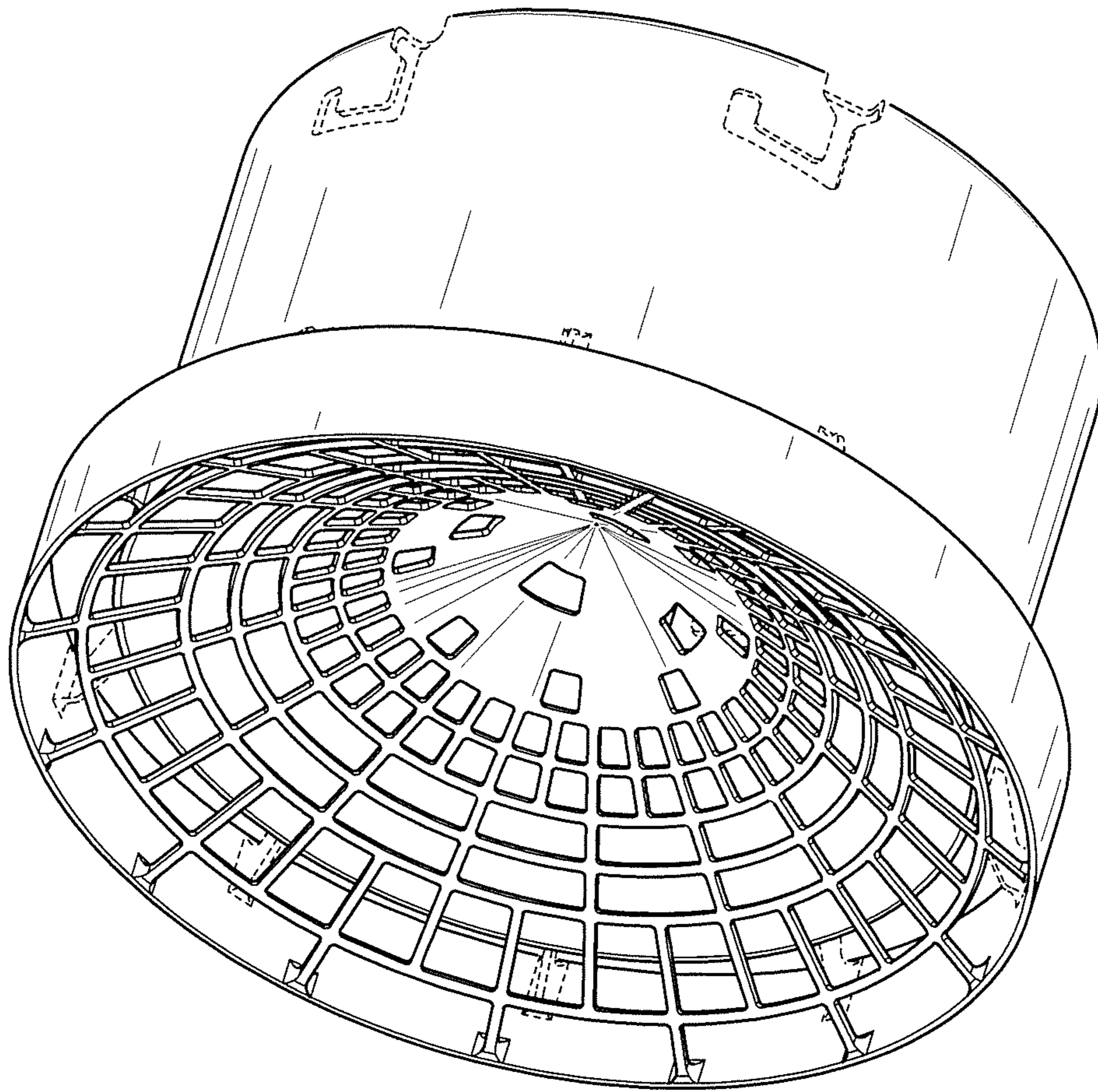


FIG. 2

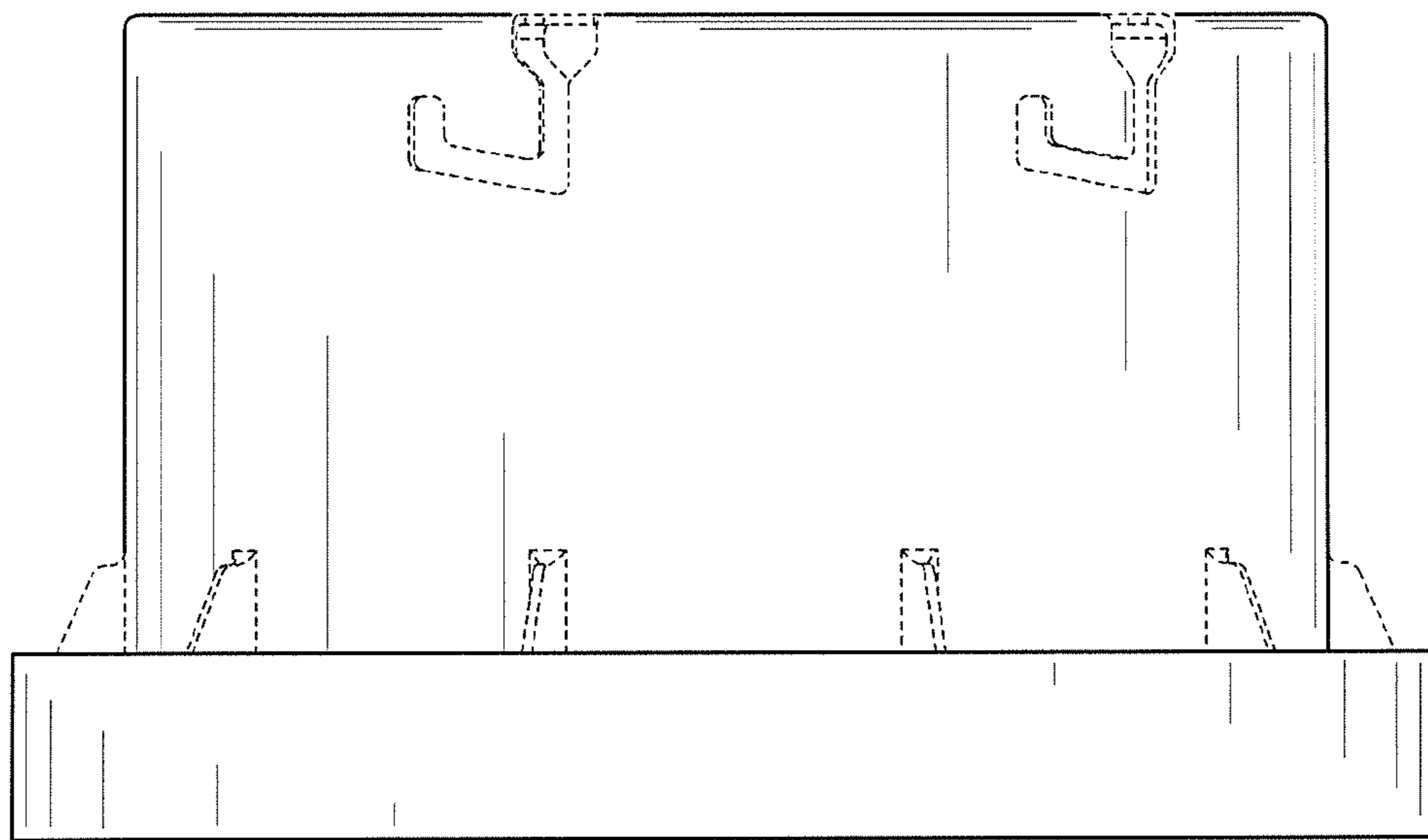


FIG. 3

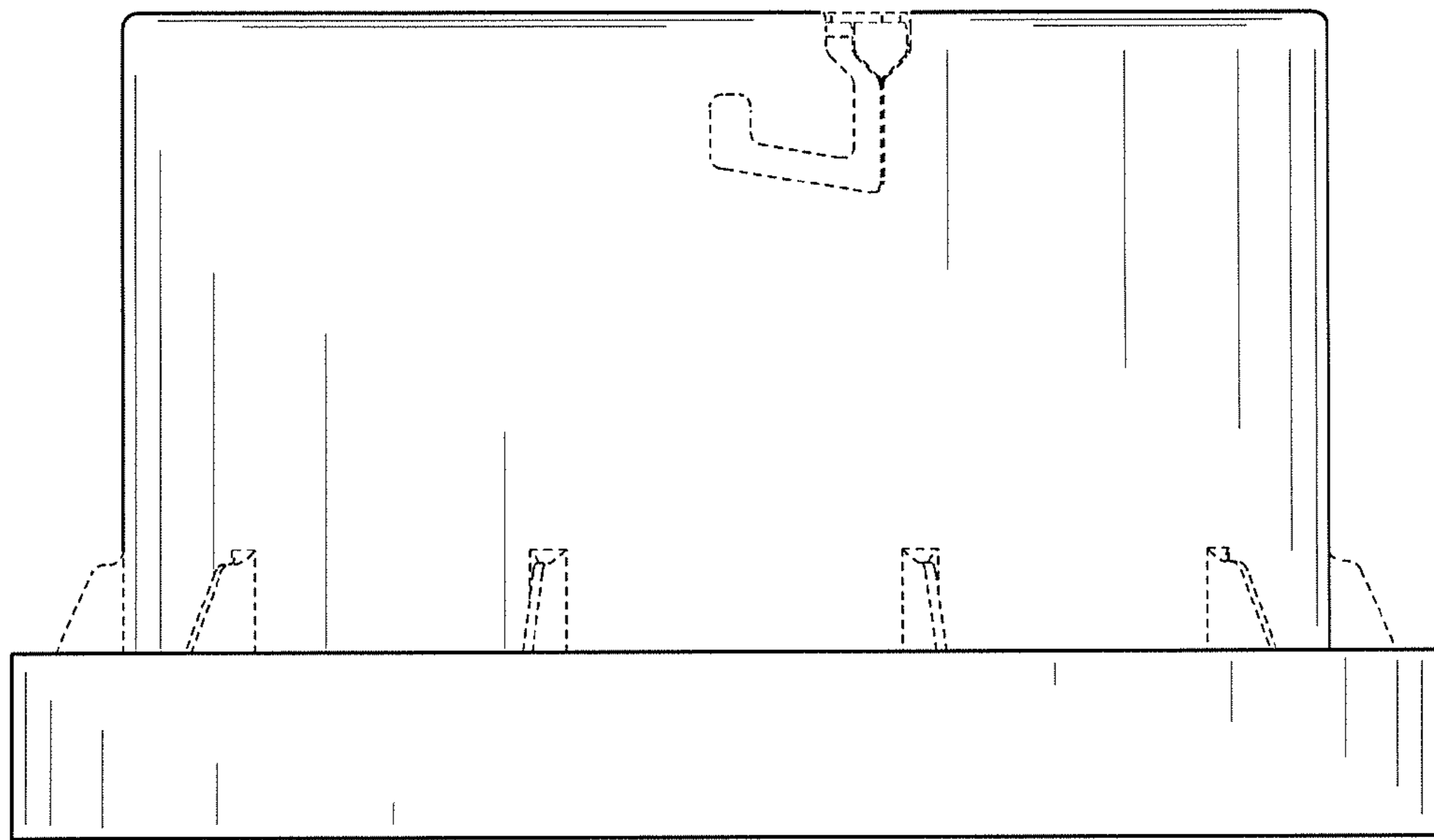


FIG. 4

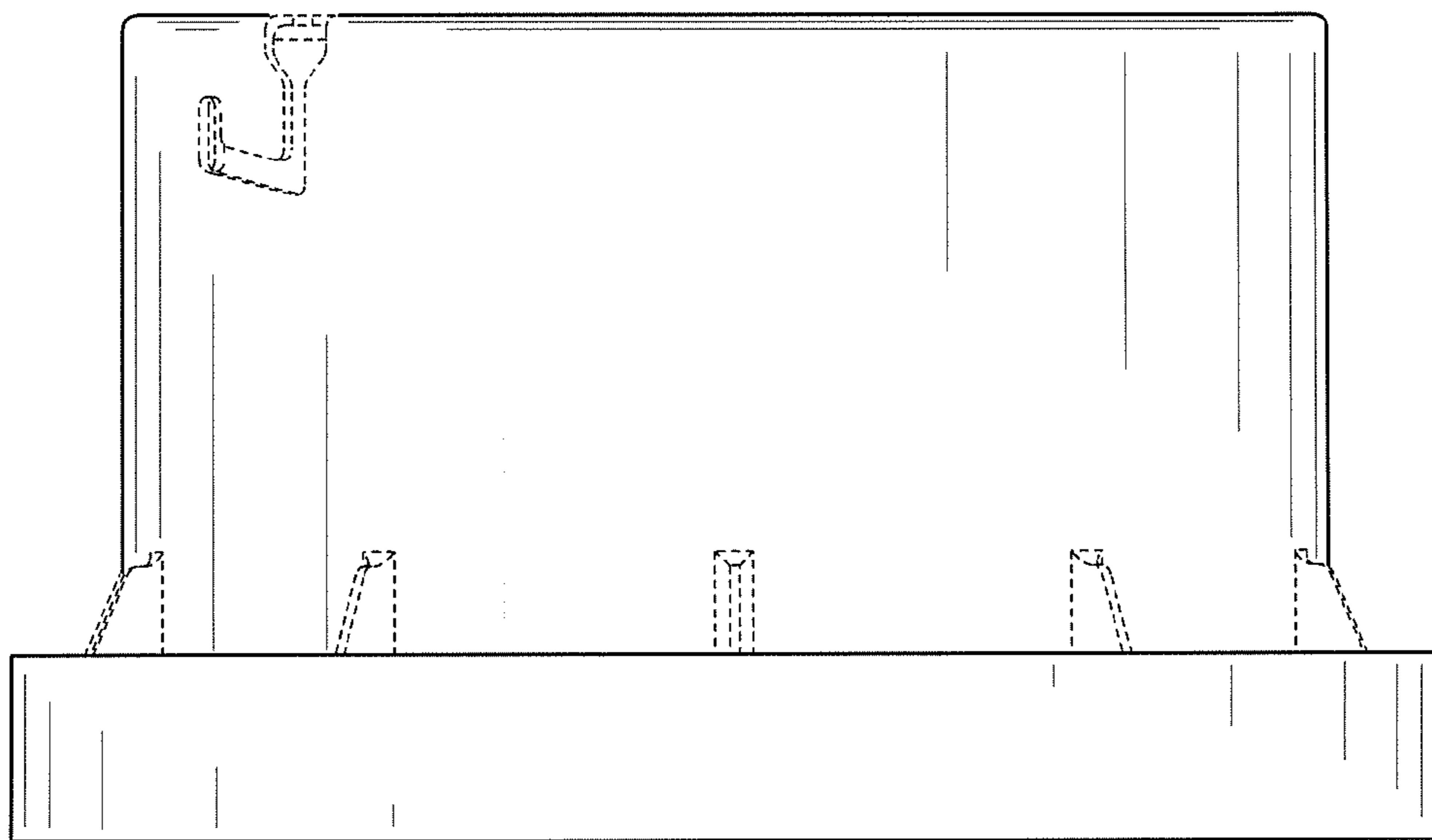


FIG. 5

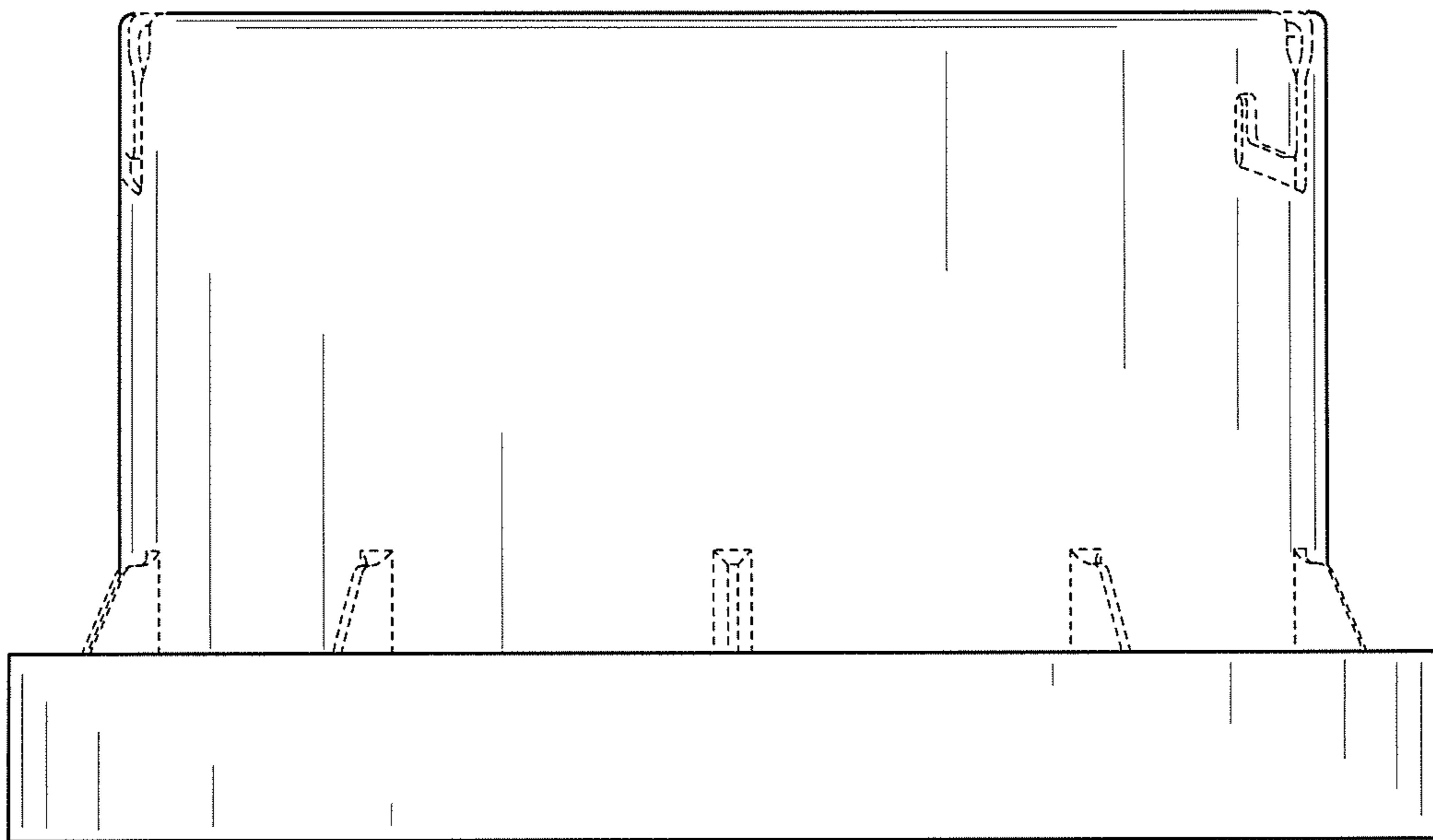


FIG. 6

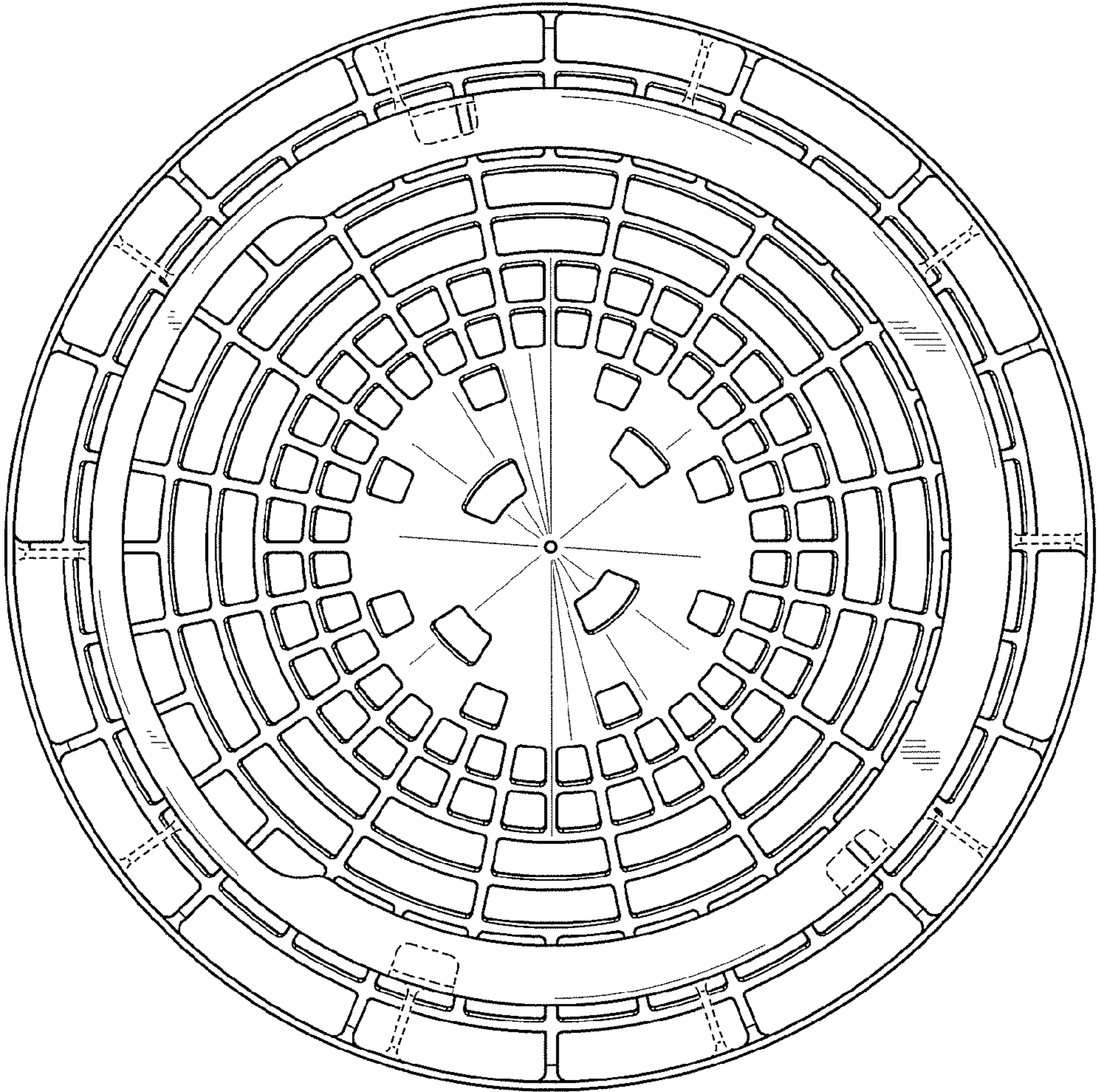


FIG. 7

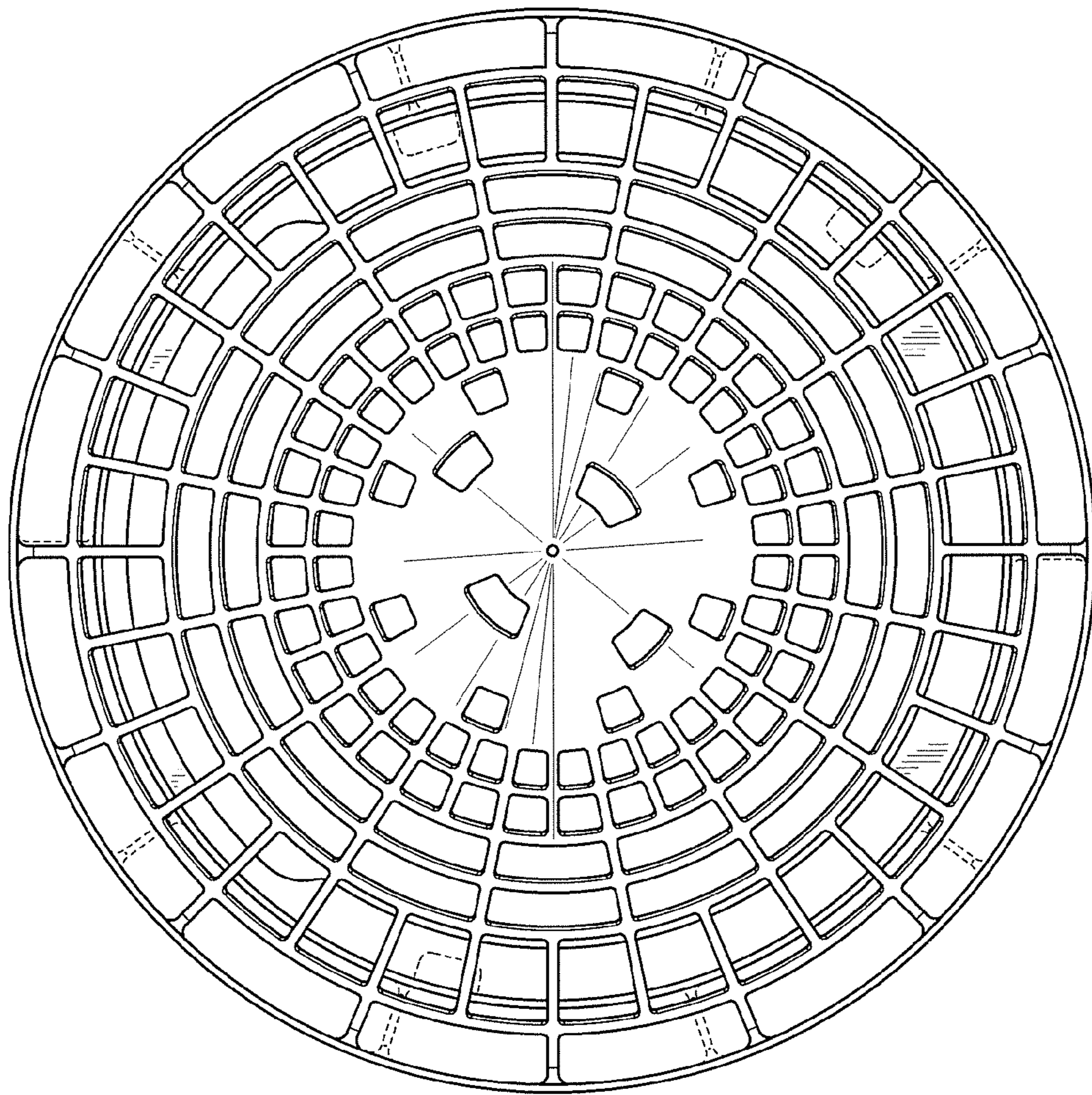


FIG. 8