



US00D691850S

(12) **United States Design Patent**
Bodum

(10) **Patent No.:** **US D691,850 S**

(45) **Date of Patent:** **** Oct. 22, 2013**

(54) **GRILL COVER**

(75) Inventor: **Jorgen Bodum**, Meggen (CH)

(73) Assignee: **PI-Design AG**, Triengen (CH)

(**) Term: **14 Years**

(21) Appl. No.: **29/426,547**

(22) Filed: **Jul. 6, 2012**

(30) **Foreign Application Priority Data**

Jan. 9, 2012 (WO) 645 492 601

(51) **LOC (9) Cl.** **07-02**

(52) **U.S. Cl.**
USPC **D7/402**

(58) **Field of Classification Search**
USPC D7/332, 334-337, 402, 404, 406-407,
D7/409, 354, 350.1, 350.4; 126/25 R, 25 A,
126/26-27, 29-30, 9 R, 9 A, 9 B, 77, 38, 40,
126/50, 41 R, 152 R, 519, 500; 99/481-482,
99/467; 426/314; 219/391, 400; D23/403,
D23/406

See application file for complete search history.

(56) **References Cited**

U.S. PATENT DOCUMENTS

4,453,530	A *	6/1984	Schlosser	126/25 R
4,535,749	A *	8/1985	Schlosser et al.	126/25 R
D284,929	S *	8/1986	Schlosser et al.	D7/332
D350,670	S *	9/1994	Harris	D7/402
D395,785	S *	7/1998	Lin	D7/332
D412,086	S *	7/1999	Bossler	D7/402
D443,472	S *	6/2001	Pai	D7/402
D461,994	S *	8/2002	Hung	D7/402
D637,034	S *	5/2011	Bodum	D7/337
D675,862	S *	2/2013	Bodum	D7/337
D677,526	S *	3/2013	Wade	D7/402

FOREIGN PATENT DOCUMENTS

WO	DM/072218	2/2010
WO	DM/075861	10/2011
WO	DM/076721	3/2012

OTHER PUBLICATIONS

U.S. Appl. No. 29/404,484, PI-Design, filed Oct. 21, 2011.
U.S. Appl. No. 29/404,483, Jorgen Bodum, filed Oct. 21, 2011.
[http://weberstephen.ch/Default.aspx?ID=129
&GroupID=GROUP16&ProductID=PROD643
&pagetitle=Smokey+Joe+Premium+](http://weberstephen.ch/Default.aspx?ID=129&GroupID=GROUP16&ProductID=PROD643&pagetitle=Smokey+Joe+Premium+), Smokey Joe Premium.
[http://contento-shop.com/cmd/shop/a/Detail/pid/672055/cid/2001/
Contento-BBQ-Kugelgrill-schwarz/](http://contento-shop.com/cmd/shop/a/Detail/pid/672055/cid/2001/Contento-BBQ-Kugelgrill-schwarz/), Mini Grill.

* cited by examiner

Primary Examiner — Ruth McInroy

(74) *Attorney, Agent, or Firm* — Sughrue Mion, PLLC

(57) **CLAIM**

The ornamental design for a grill cover, as shown and described.

DESCRIPTION

FIG. 1 is a top perspective view of a grill cover showing my new design;

FIG. 2 is a front view thereof;

FIG. 3 is a rear view thereof;

FIG. 4 is a right side view thereof;

FIG. 5 is a left side view thereof;

FIG. 6 is a top view thereof; and,

FIG. 7 is a bottom view thereof.

The broken lines depict environmental subject matter only and form no part of the claimed design.

1 Claim, 7 Drawing Sheets

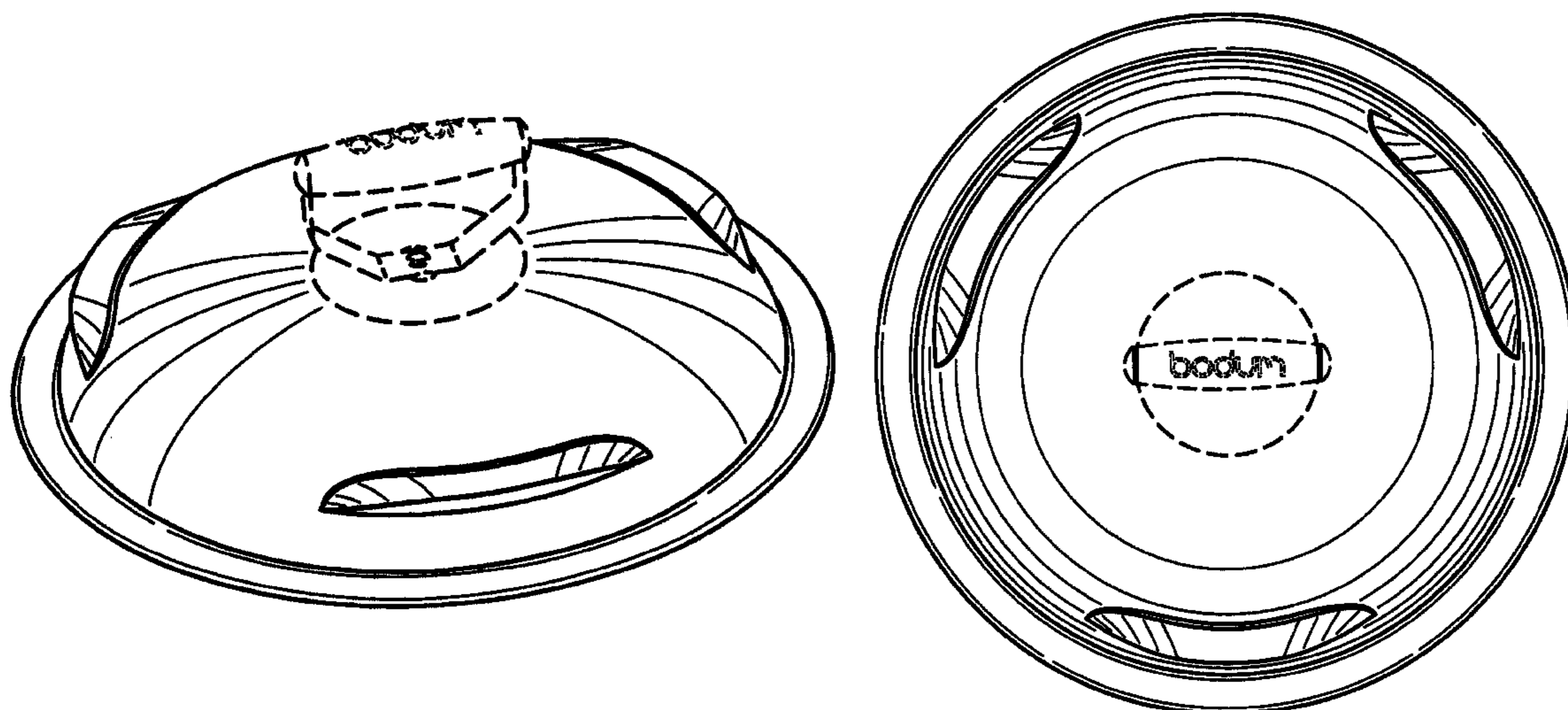


FIGURE 1

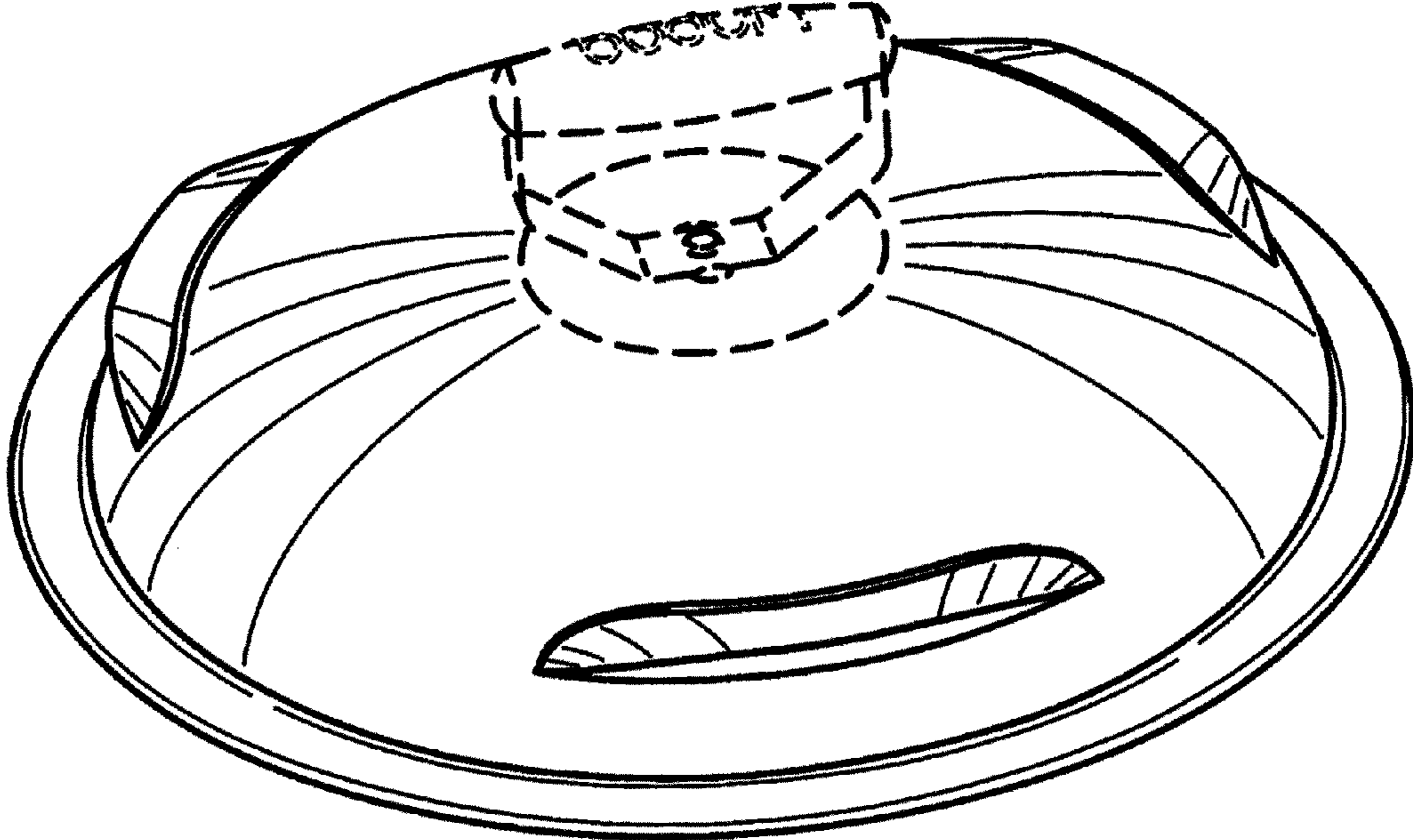


FIGURE 2

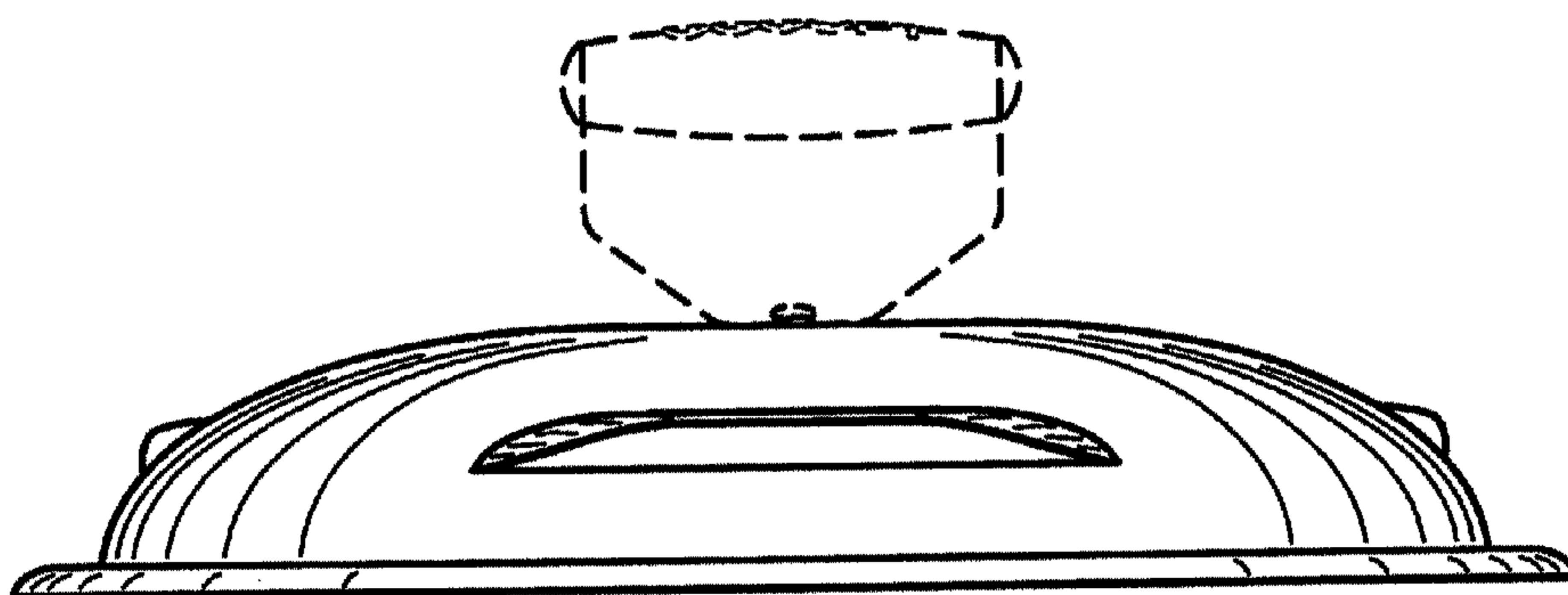


FIGURE 3

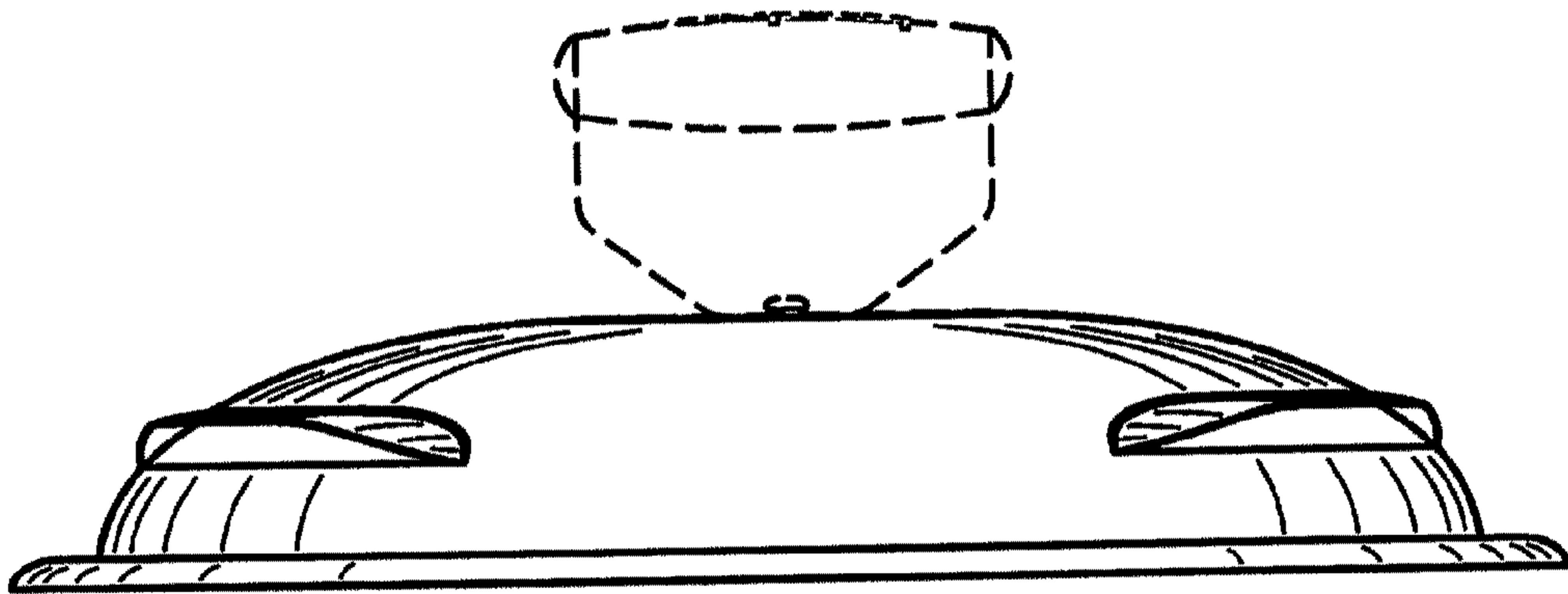


FIGURE 4

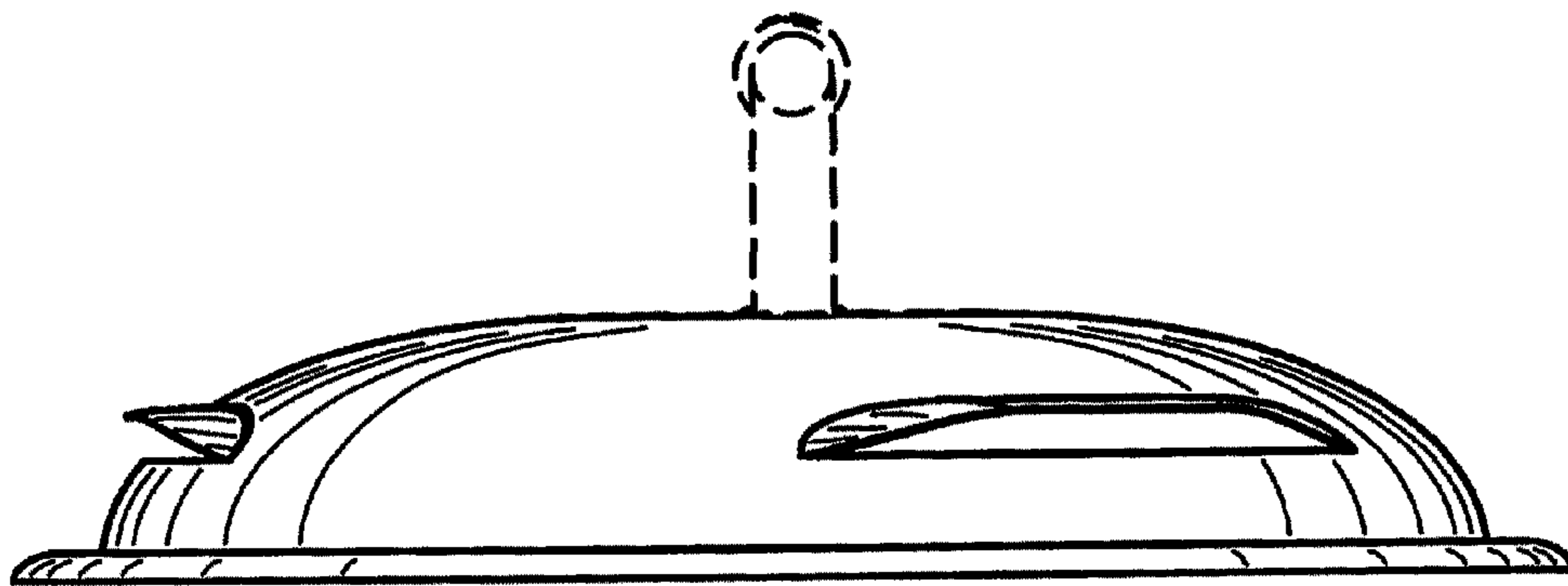


FIGURE 5

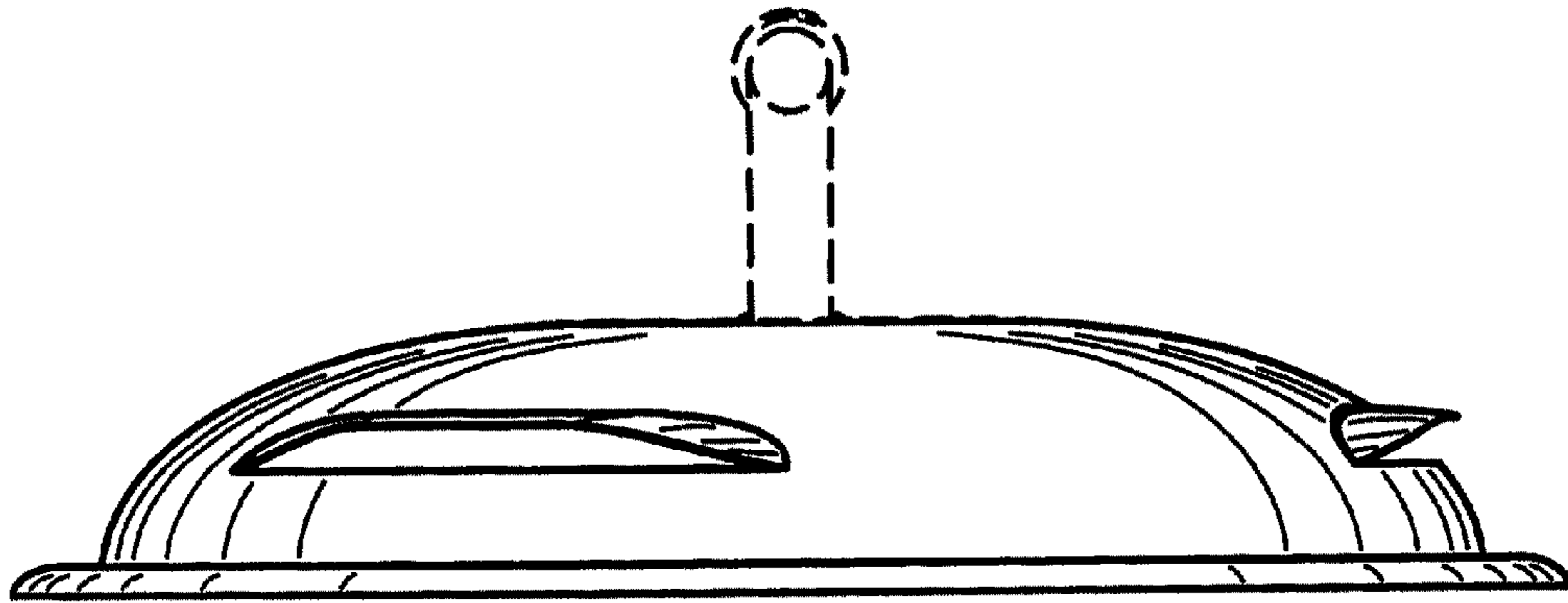


FIGURE 6

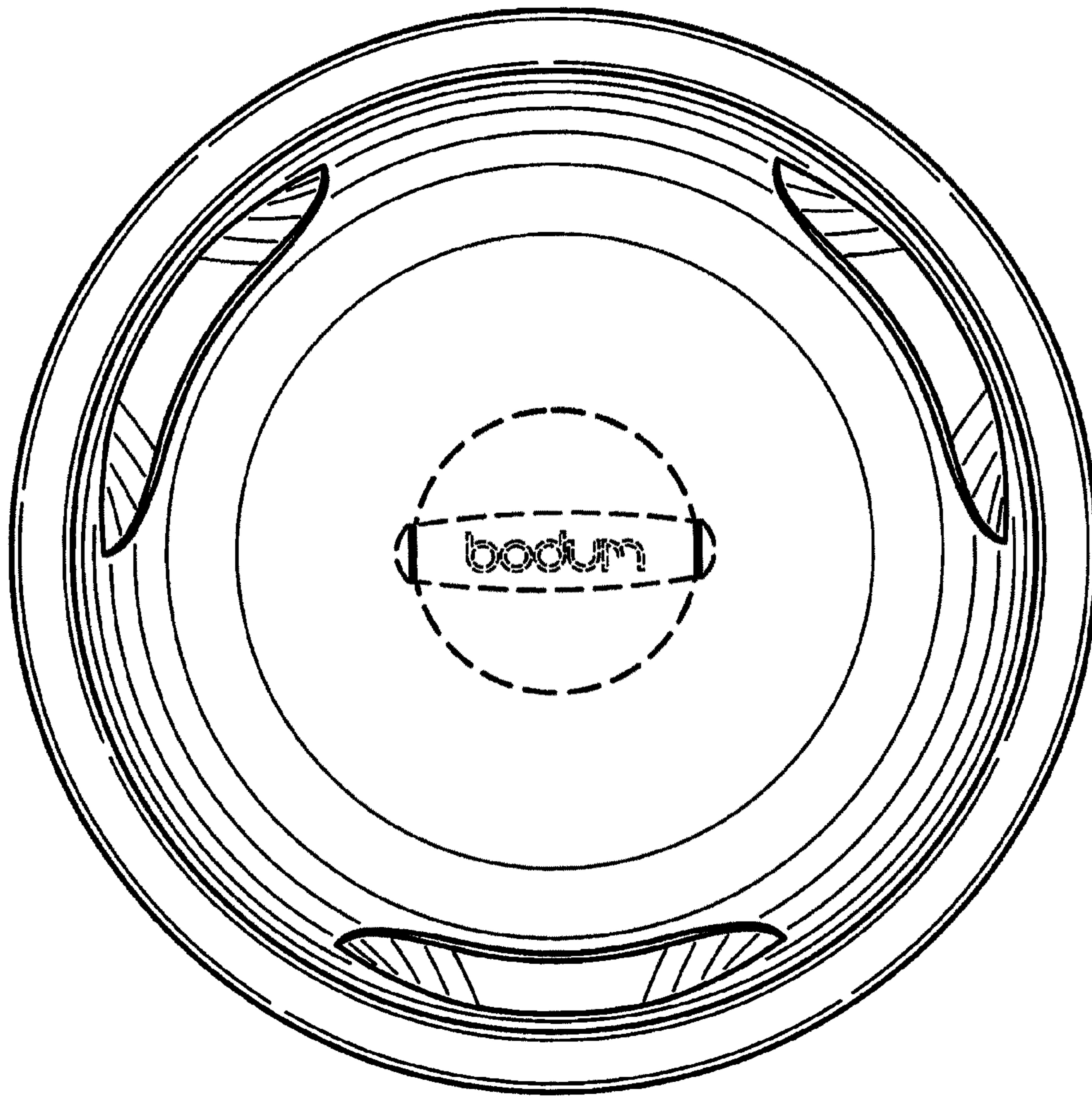


FIGURE 7

