

US00D691848S

(12) **United States Design Patent**
Trudeau et al.

(10) **Patent No.:** **US D691,848 S**
(45) **Date of Patent:** **** Oct. 22, 2013**

- (54) **CHILD'S TRAINING CUP**
- (71) Applicant: **Dart Industries Inc.**, Orlando, FL (US)
- (72) Inventors: **Raymond J. Trudeau**, St. Cloud, FL (US); **Maxime R. Richard**, Weston, FL (US); **Anthony M. De Leo**, Orlando, FL (US)
- (73) Assignee: **Dart Industries Inc.**, Orlando, FL (US)

6,596,328	B1	*	7/2003	Bezek et al.	426/115
D479,946	S		9/2003	Jalet et al.		
D490,709	S	*	6/2004	Bezek	D9/444
D516,424	S	*	3/2006	Schweigert et al.	D9/447
D516,428	S	*	3/2006	Bezek et al.	D9/502
D535,151	S	*	1/2007	Seum et al.	D7/510
D547,605	S	*	7/2007	Edelstein et al.	D7/392.1
D547,611	S	*	7/2007	Seum et al.	D7/511
D560,119	S	*	1/2008	Bloc	D9/449
D593,364	S	*	6/2009	Harris	D7/505
D627,196	S	*	11/2010	George	D7/510
D632,174	S	*	2/2011	Charbonnet et al.	D9/447
D668,153	S	*	10/2012	Mavin et al.	D9/449

(**) Term: **14 Years**

* cited by examiner

(21) Appl. No.: **29/436,581**

Primary Examiner — Susan E Krakower

(22) Filed: **Nov. 7, 2012**

(74) *Attorney, Agent, or Firm* — Taylor J. Ross

(51) **LOC (9) Cl.** **07-02**

(57) **CLAIM**

(52) **U.S. Cl.**
USPC **D7/392.1**

The ornamental design for a child's training cup, as shown and described.

(58) **Field of Classification Search**
USPC D7/391, 392, 392.1, 510, 511, 629, D7/900; D9/425, 434, 435, 438, 443, 444, D9/445, 447, 449, 451-454; 215/271, 318, 215/319, 354, 364; 220/253, 254.1, 269, 220/522, 712-714, 719, 780, 781
See application file for complete search history.

DESCRIPTION

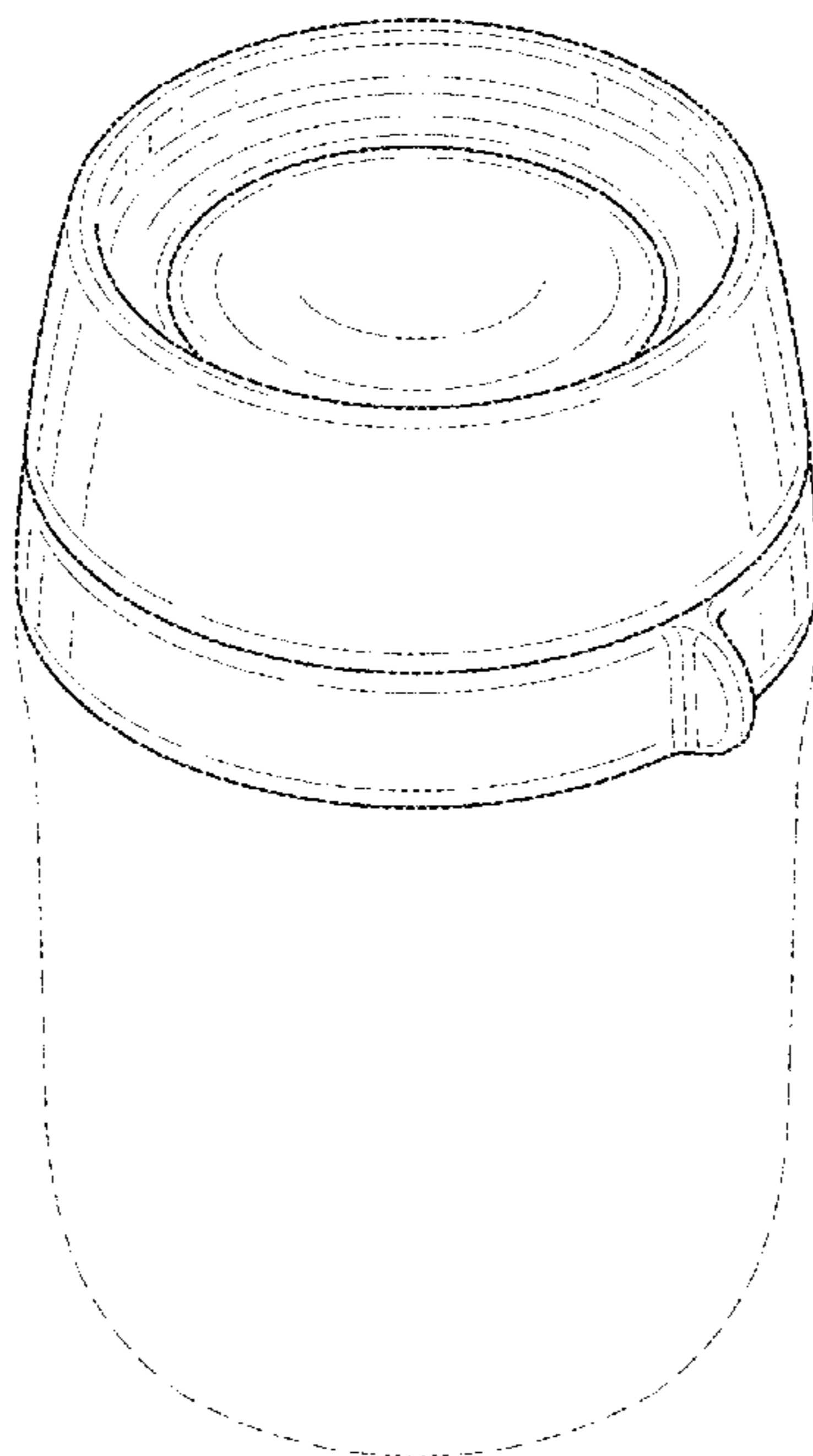
This application is related to copending utility U.S. Ser. No. 13/671,014 filed Nov. 7, 2012.
FIG. 1 is a top, front perspective view of a child's training cup showing our new design;
FIG. 2 is a top plan view thereof, the bottom being obscured during use;
FIG. 3 is a front elevation view thereof;
FIG. 4 is a rear elevation view thereof;
FIG. 5 is a right side elevation view thereof, the left side being a mirror image; and,
FIG. 6 is a cross-sectional view along line 6-6 of FIG. 2.
The broken lines illustrate environmental structure and form no part of the claimed design.

(56) **References Cited**

U.S. PATENT DOCUMENTS

D346,932	S	5/1994	Cautereels et al.	
D354,416	S	1/1995	Cautereels et al.	
D384,282	S	*	9/1997	Wong D9/443
D411,713	S	*	6/1999	Bridges D7/536
D429,443	S	8/2000	D'Alessio	
D471,453	S	*	3/2003	Stodd D9/434
D474,077	S	*	5/2003	Hatsumoto D7/608

1 Claim, 3 Drawing Sheets



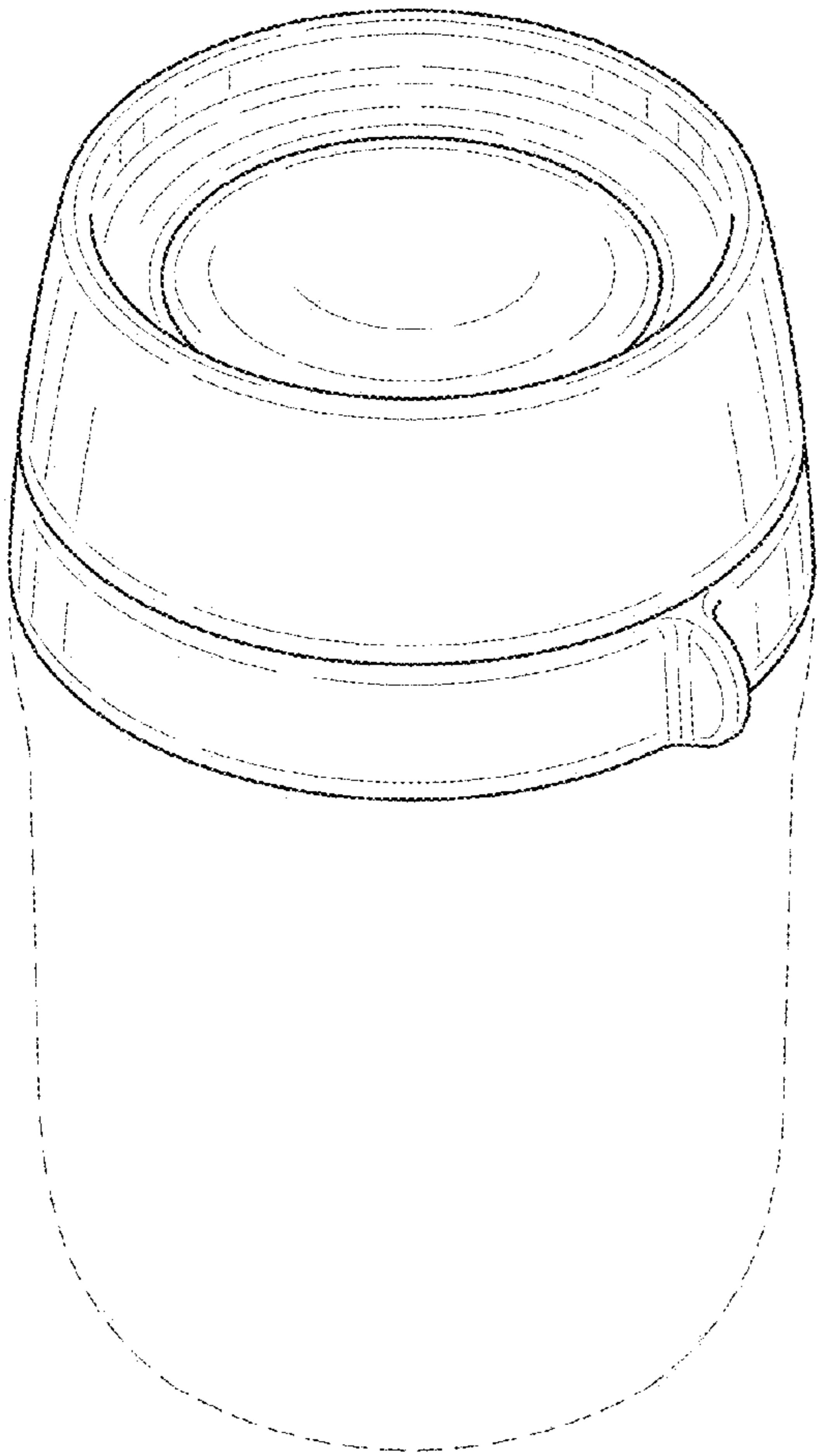


FIG. 1

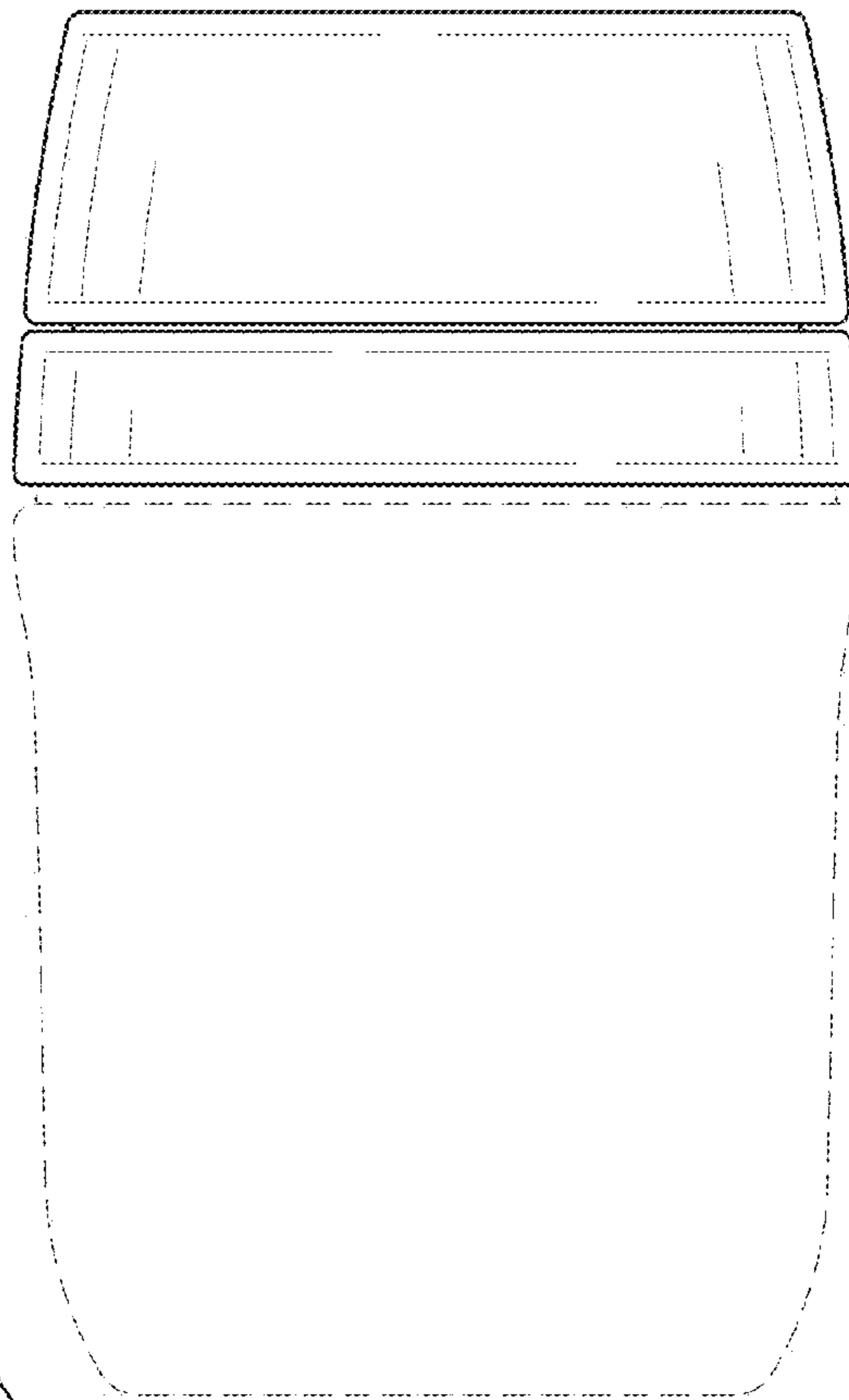


FIG. 3

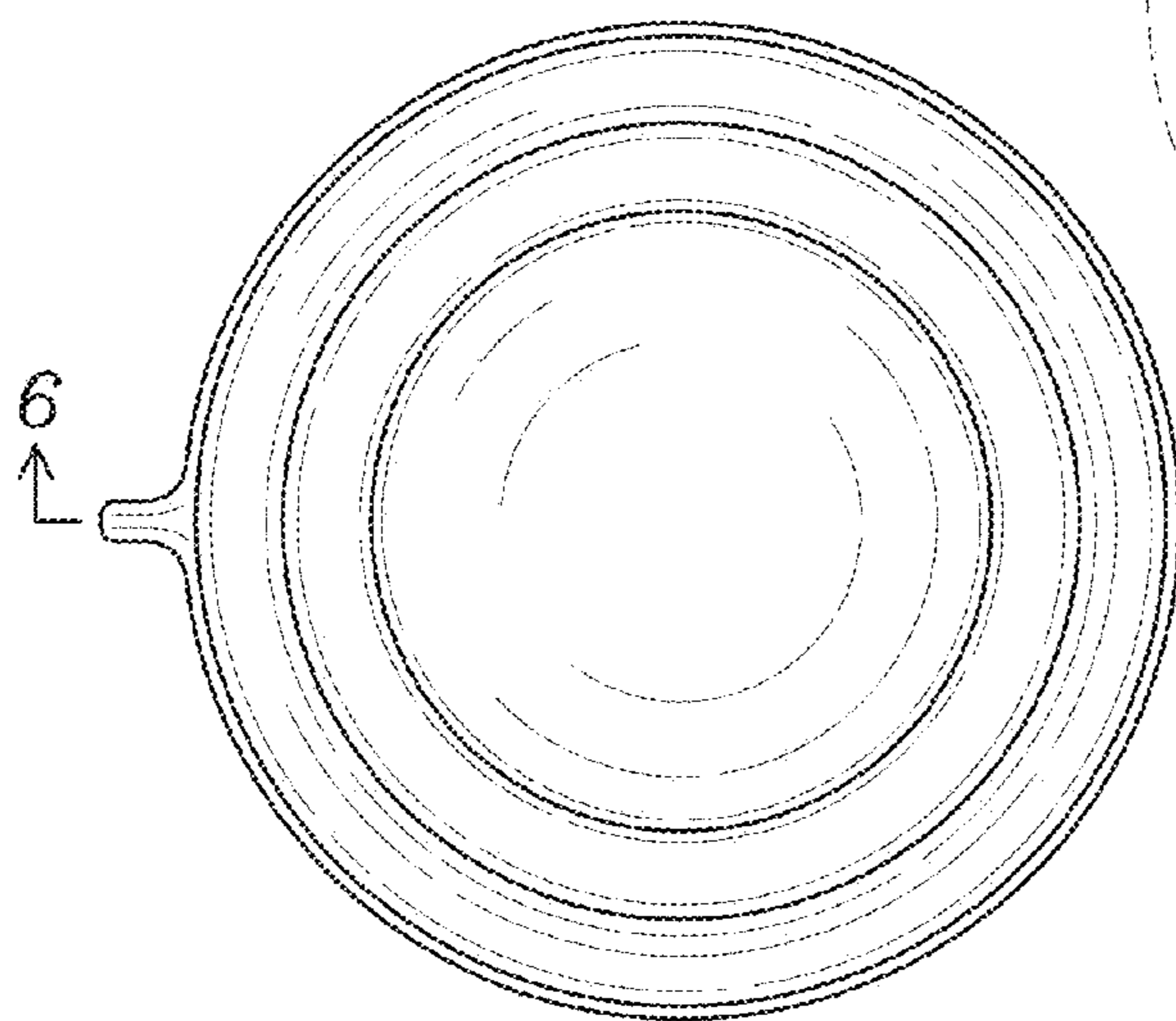


FIG. 2

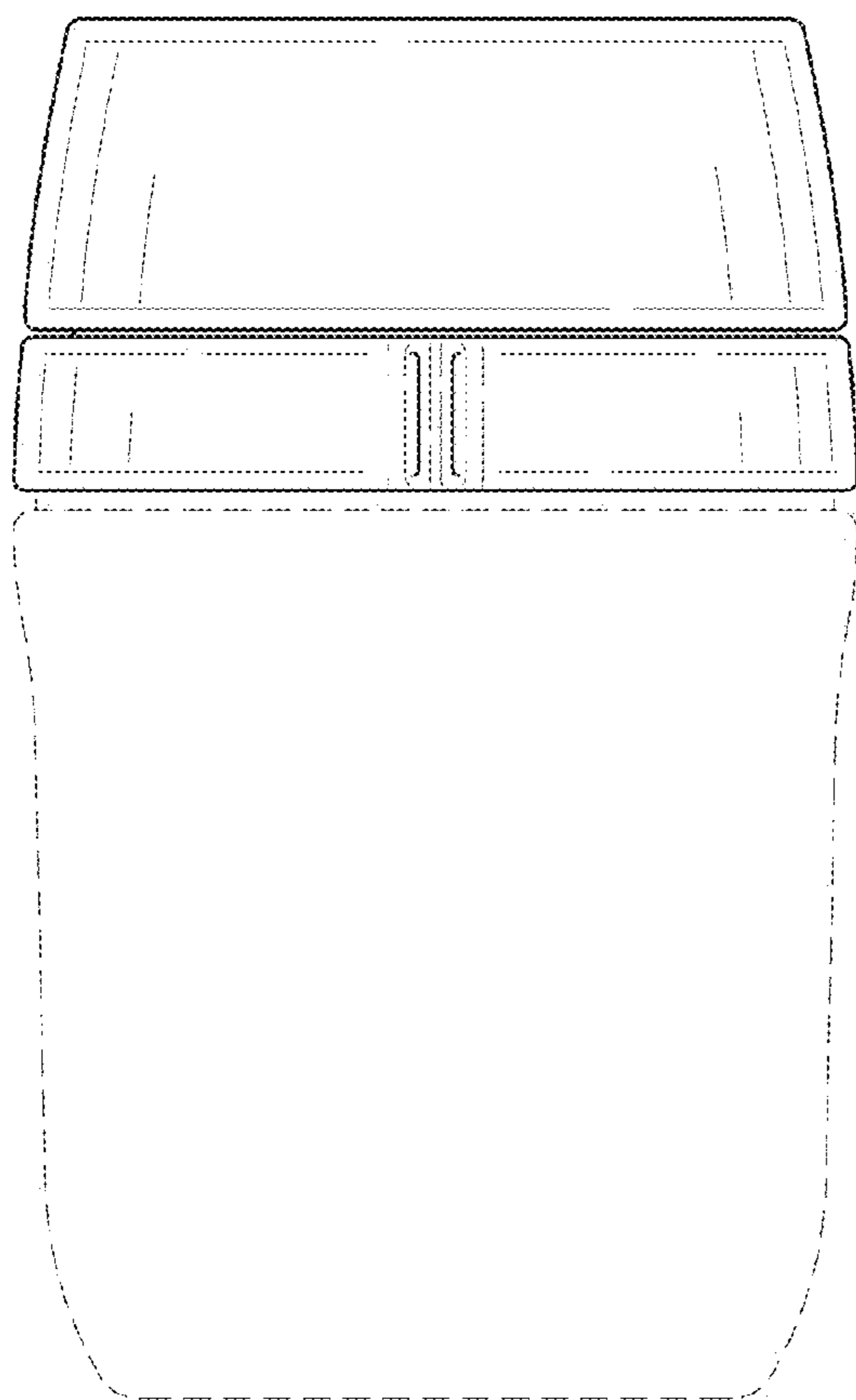


FIG. 4

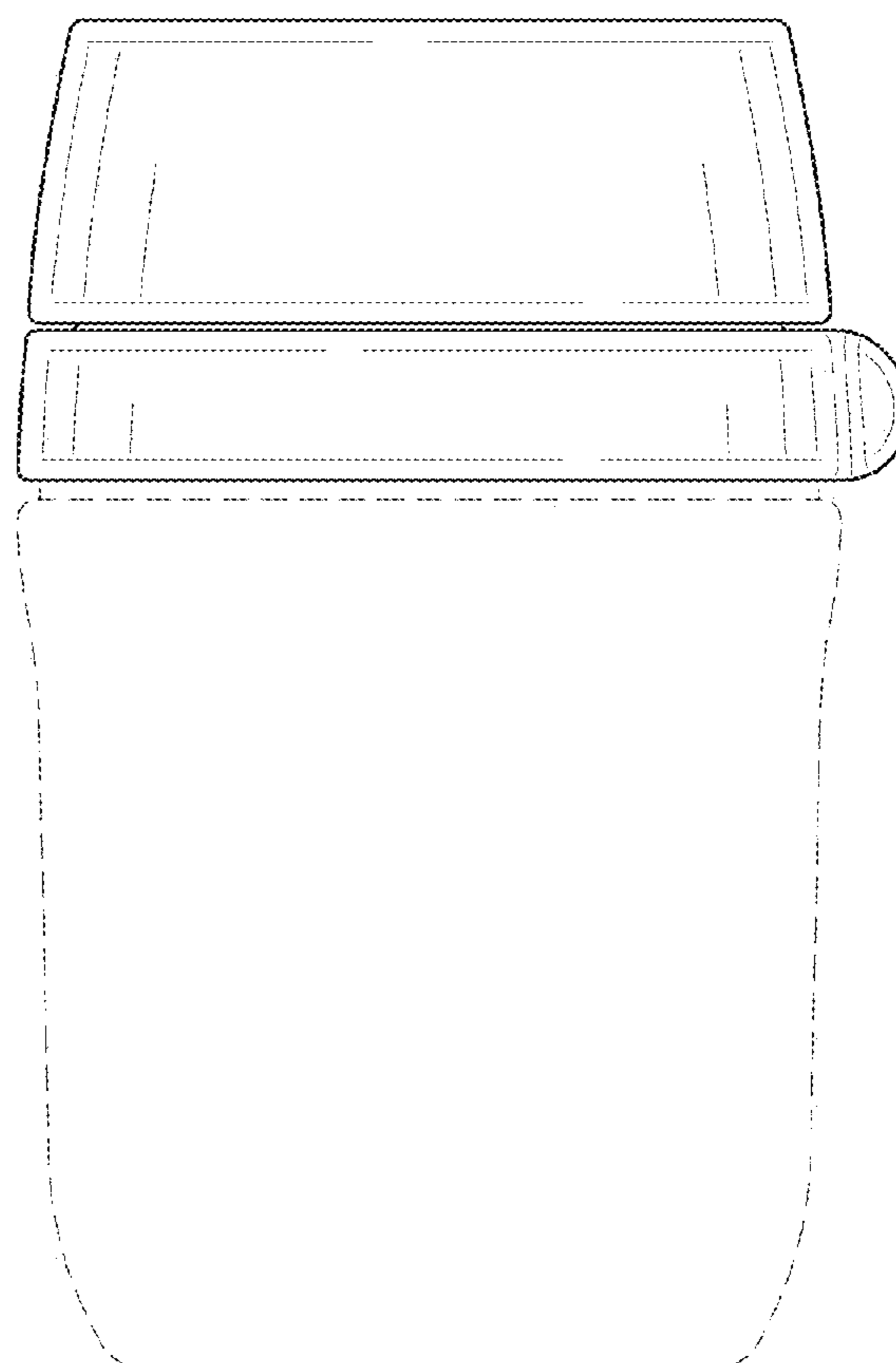


FIG. 5

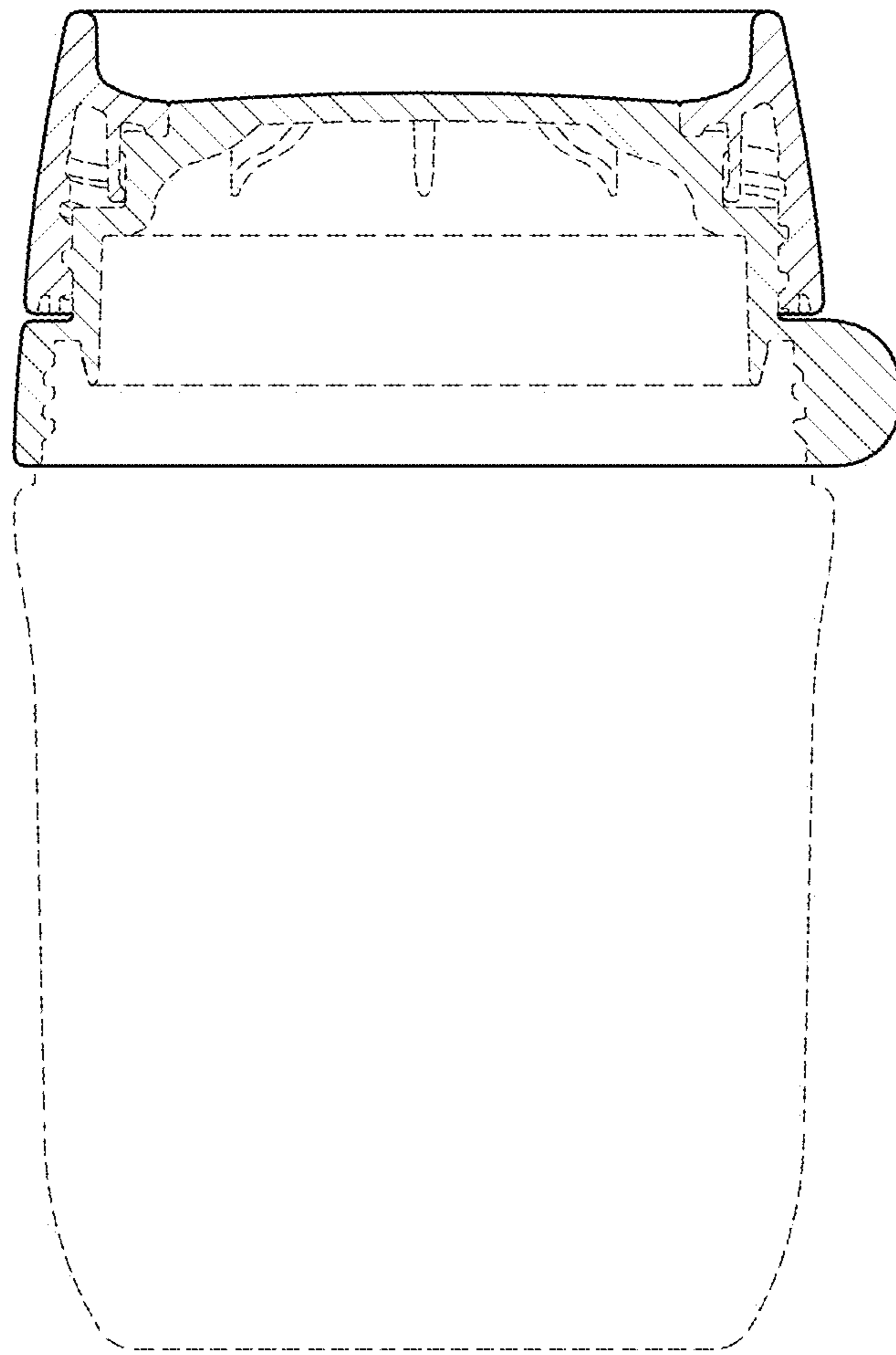


FIG. 6