



US00D691846S

(12) **United States Design Patent**  
**DeMaio**

(10) **Patent No.:** **US D691,846 S**  
(45) **Date of Patent:** **\*\* Oct. 22, 2013**

- (54) **STOVETOP MINI OVEN**
- (71) Applicant: **Frank DeMaio**, Garden City, NY (US)
- (72) Inventor: **Frank DeMaio**, Garden City, NY (US)
- (\*\*) Term: **14 Years**
- (21) Appl. No.: **29/454,539**
- (22) Filed: **May 10, 2013**
- (51) **LOC (9) Cl.** ..... **07-02**
- (52) **U.S. Cl.**  
USPC ..... **D7/358**
- (58) **Field of Classification Search**  
USPC ..... D7/323, 329-332, 337-339, 346-347,  
D7/350.1-350.4, 353-367, 391-395,  
D7/402-406, 538, 542-543, 665;  
99/324-325, 330-332, 337-343, 369,  
99/366, 400-418, 422, 425, 444, 483;  
126/37 R, 41 R, 261, 378.1;  
206/501-505, 507-508; 210/465-467;  
219/387, 400, 405, 429-442, 452.11,  
219/620-624, 725, 730-735; 220/314-315,  
220/573.1-573.5, 592.16, 912; 426/438,  
426/441  
See application file for complete search history.

5,653,881	A *	8/1997	Bruss et al.	210/467
5,730,045	A *	3/1998	Delaquis et al.	99/337
5,957,038	A *	9/1999	Shimazaki	99/340
RE37,988	E *	2/2003	Uss	99/343
7,571,675	B1 *	8/2009	Cappadona et al.	99/337
D664,000	S *	7/2012	Moulin	D7/402
D677,517	S *	3/2013	Dichraff et al.	D7/361

\* cited by examiner

*Primary Examiner* — Ricky Pham

(74) *Attorney, Agent, or Firm* — QuickPatents; Kevin Prince

(57) **CLAIM**

I claim the ornamental design for a stovetop mini oven, as shown and described.

**DESCRIPTION**

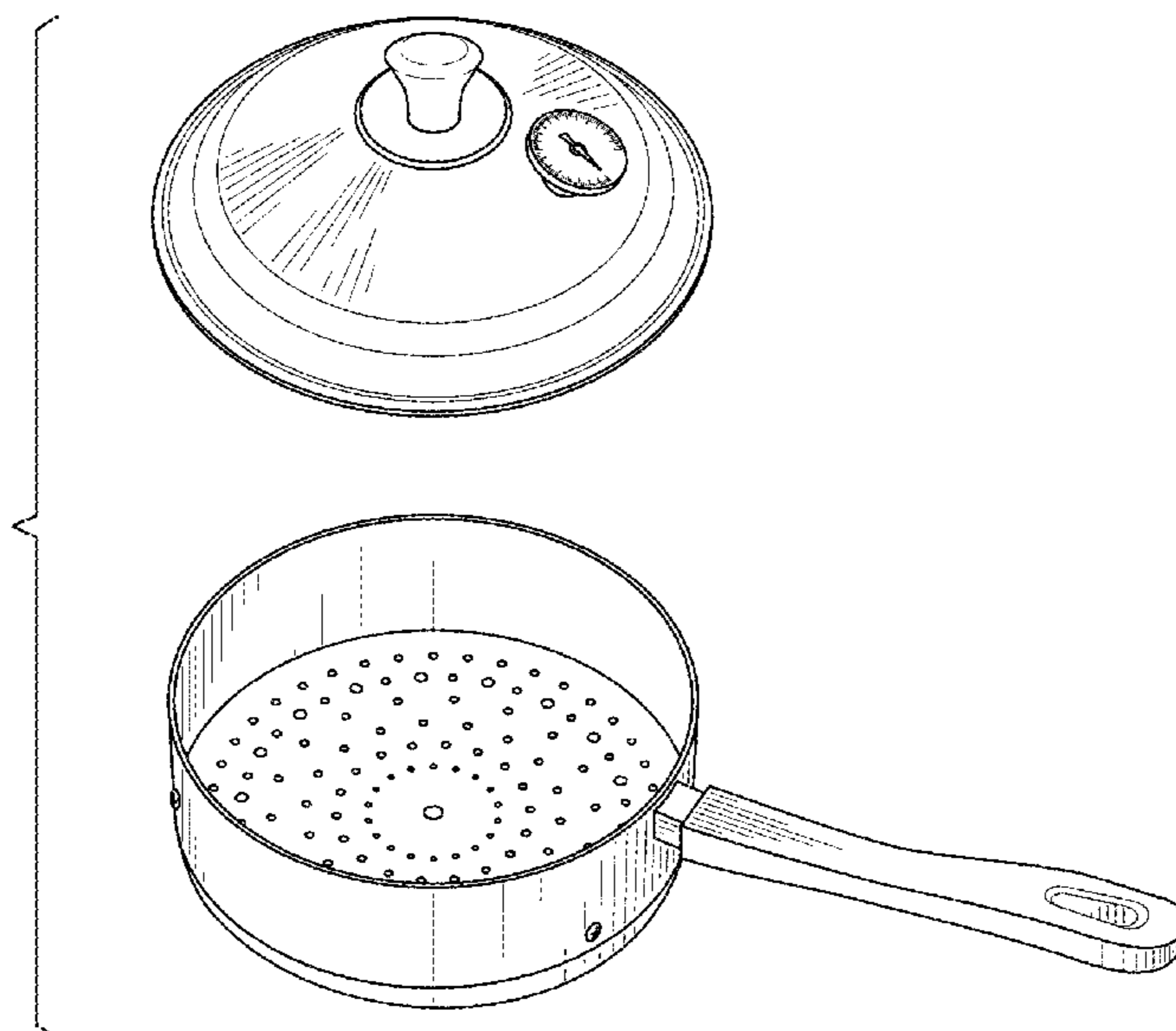
FIG. 1 is an exploded top perspective view of a stovetop mini oven, showing a pan with a raised roasting plate exploded away from a cover with a temperature gauge and a knob;  
 FIG. 2 is an exploded bottom perspective view thereof, showing the pan with a recessed heat disbursement plate on a bottom of the pan exploded away from the cover having a temperature gauge stem on a bottom side thereof;  
 FIG. 3 is a top perspective view thereof, illustrated in an assembled position;  
 FIG. 4 is a front elevational view thereof;  
 FIG. 5 is a rear elevational view thereof;  
 FIG. 6 is a left-side elevational view thereof, the right-side elevational view being a mirror image thereof;  
 FIG. 7 is a top plan view thereof; and,  
 FIG. 8 is a bottom plan view thereof.

**1 Claim, 4 Drawing Sheets**

(56) **References Cited**

**U.S. PATENT DOCUMENTS**

1,623,397	A *	4/1927	Dunlap	210/465
D230,459	S *	2/1974	Gulotta	D7/360
4,310,418	A *	1/1982	Busbey	210/467
D269,243	S *	6/1983	Lam	D7/361
4,574,184	A *	3/1986	Wolf et al.	219/440
D370,826	S *	6/1996	Thurlow	D7/360



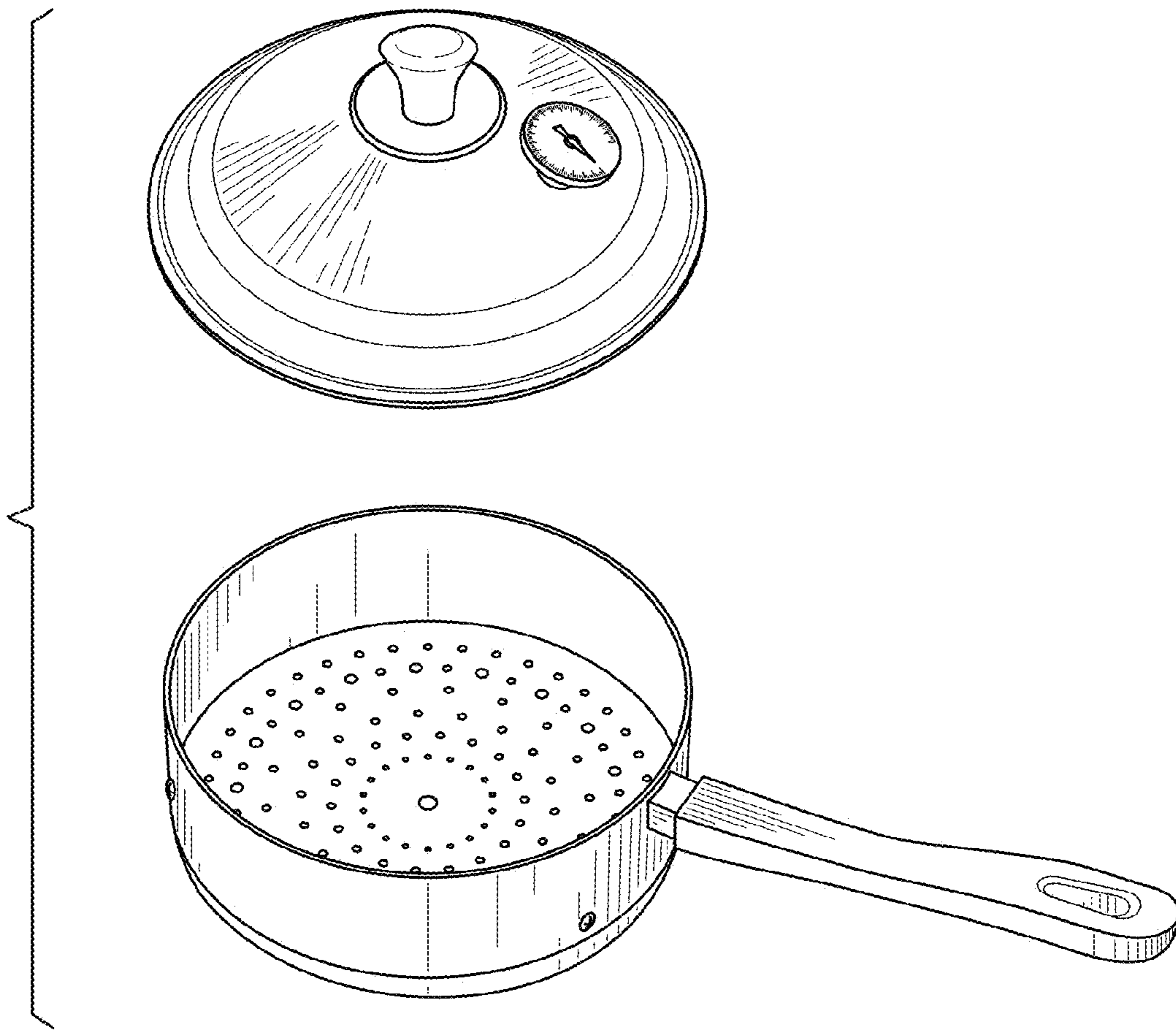


FIG. 1

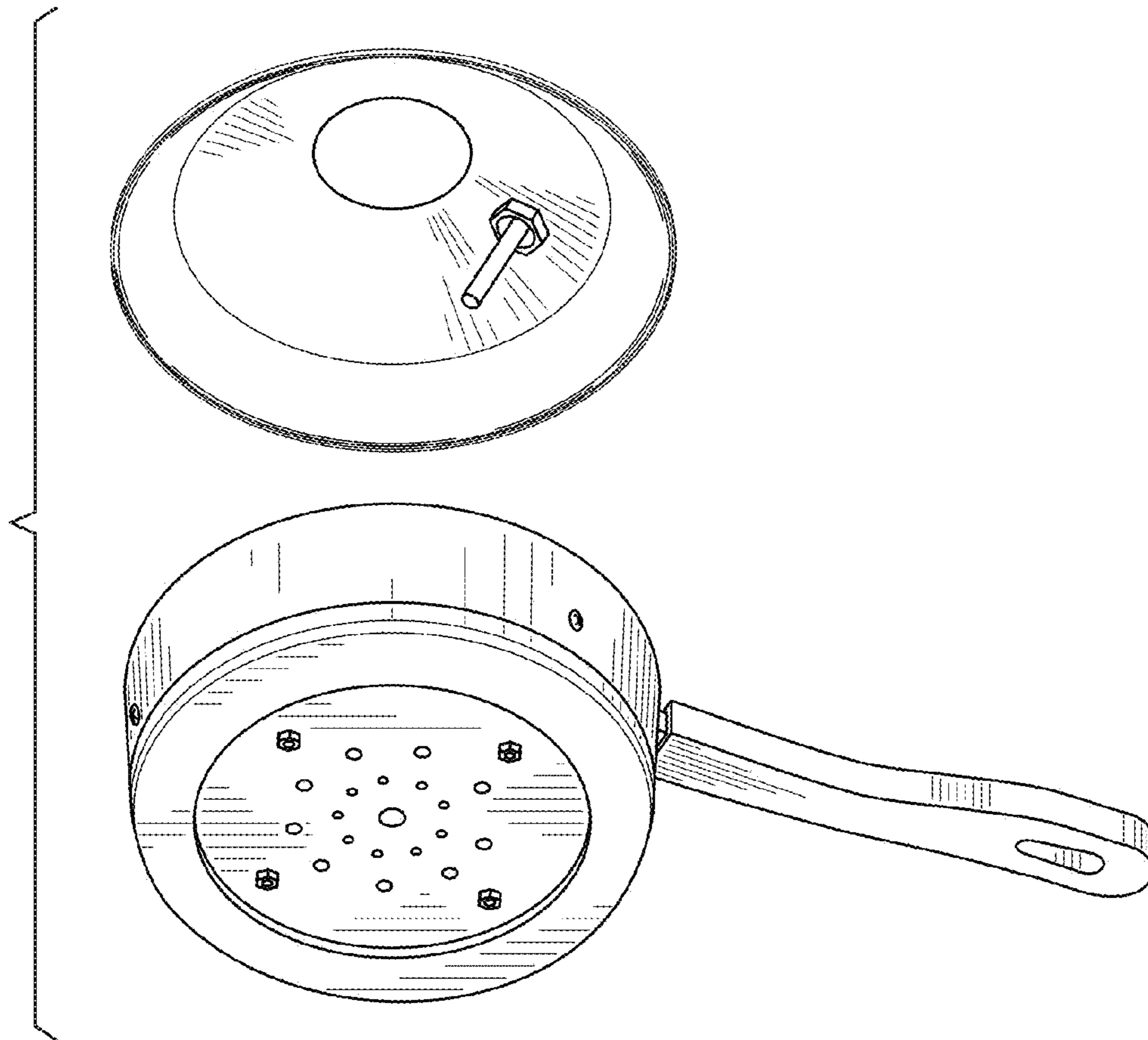


FIG. 2

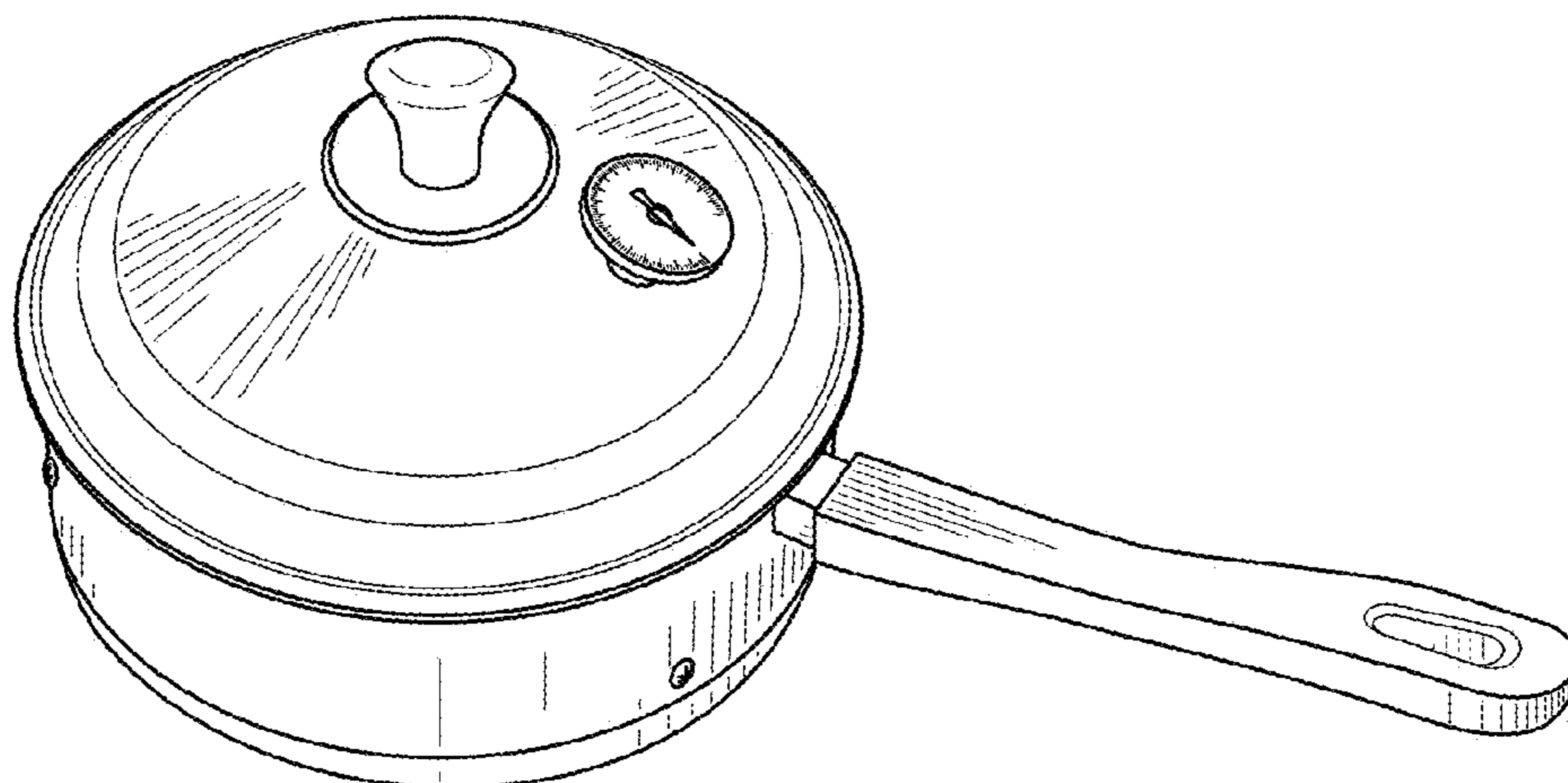


FIG. 3

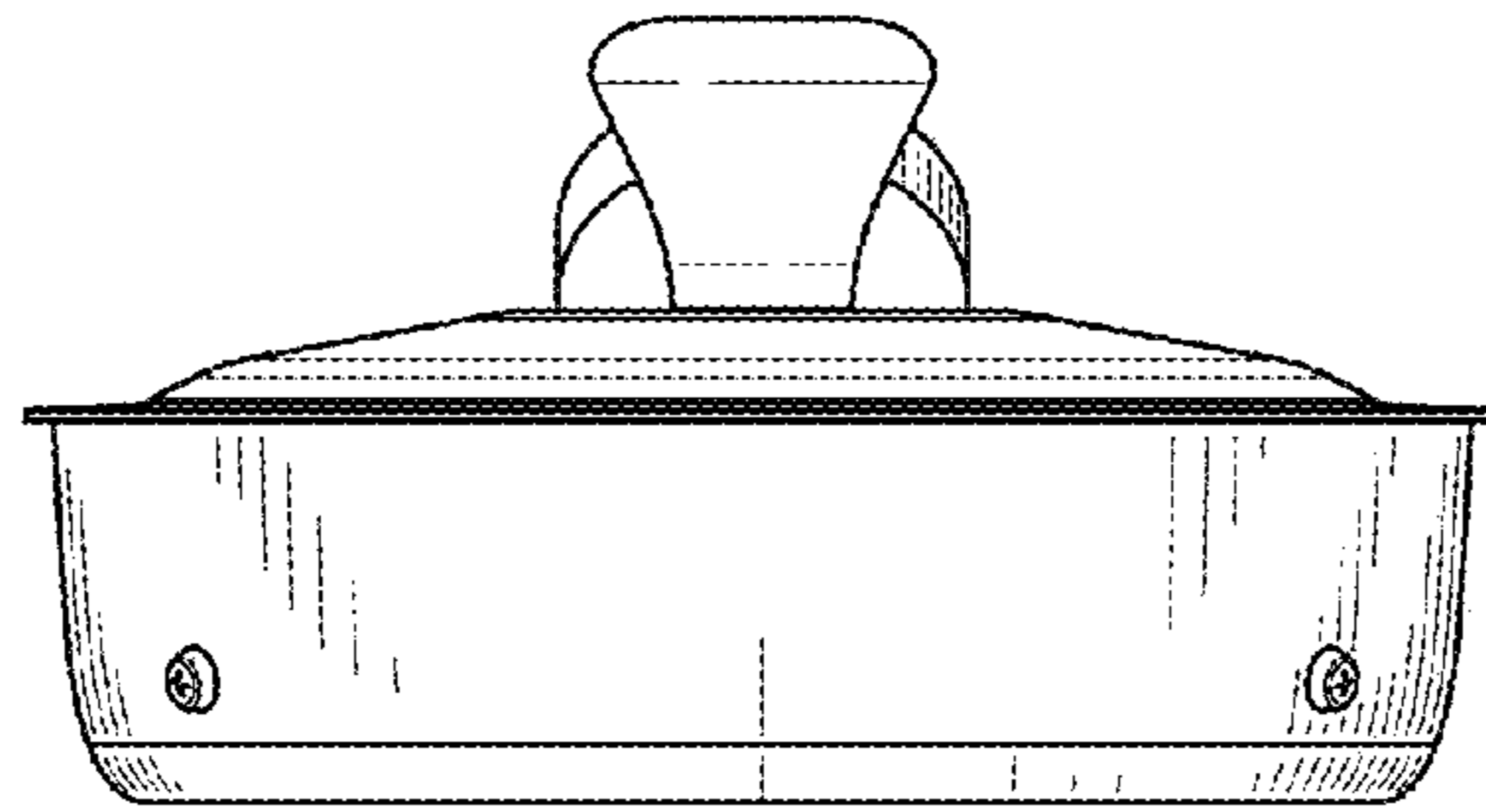


FIG. 4

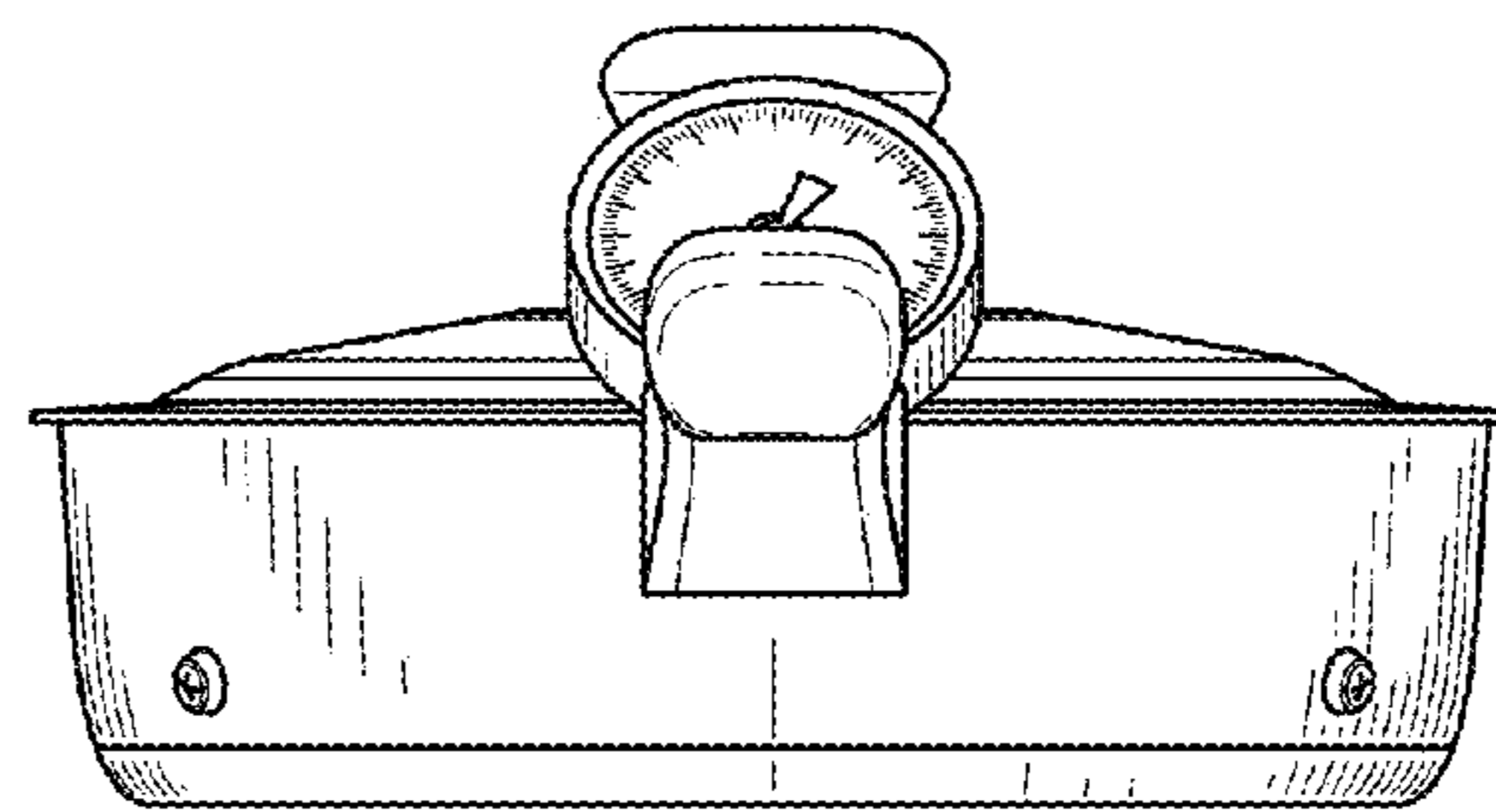


FIG. 5

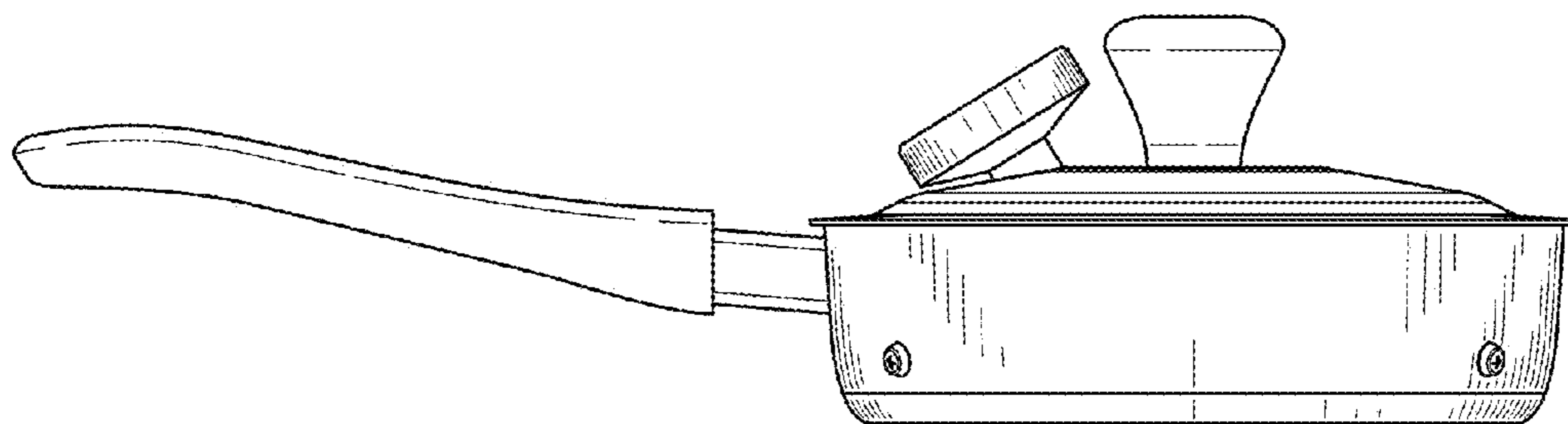


FIG. 6



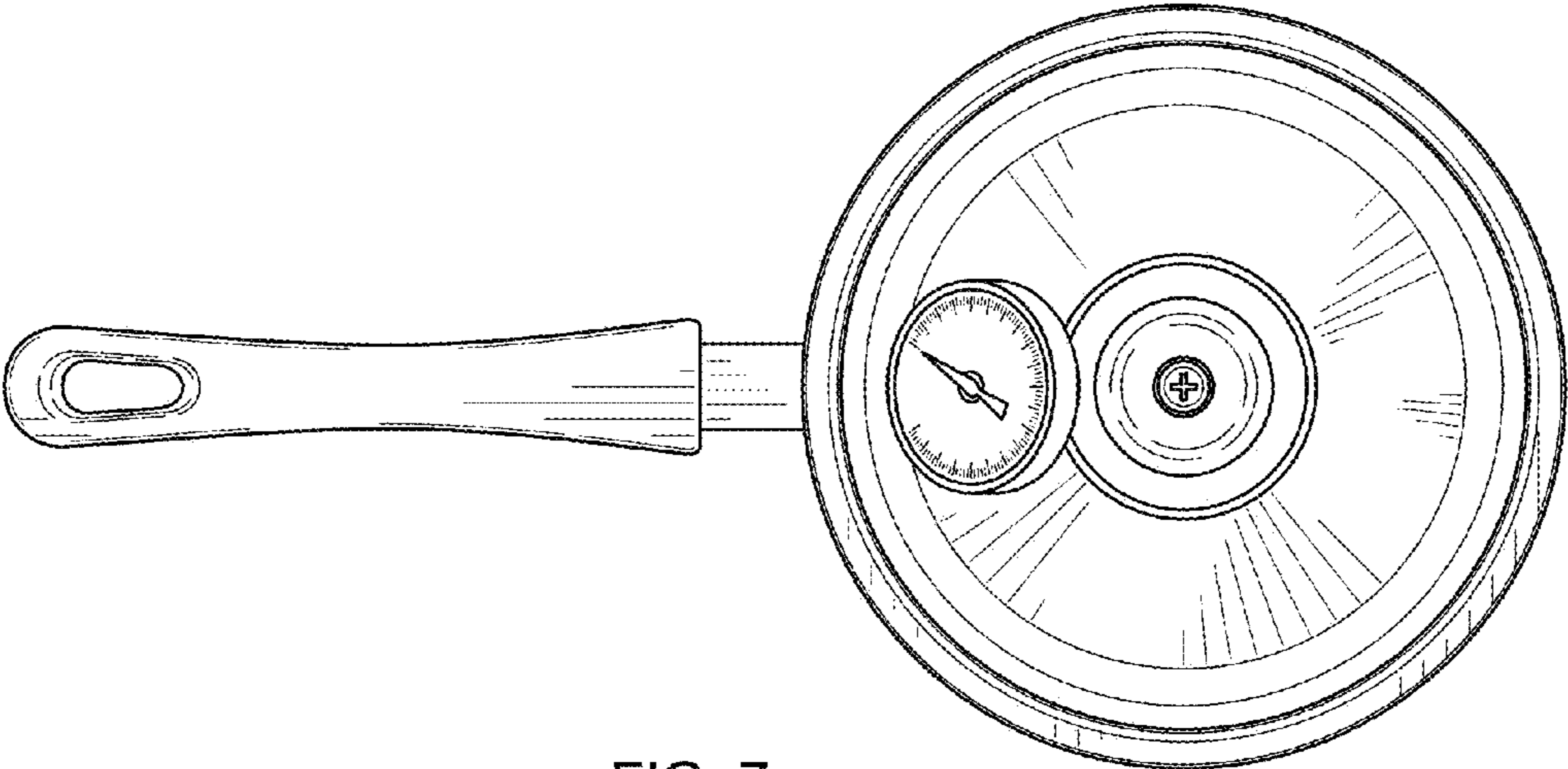


FIG. 7

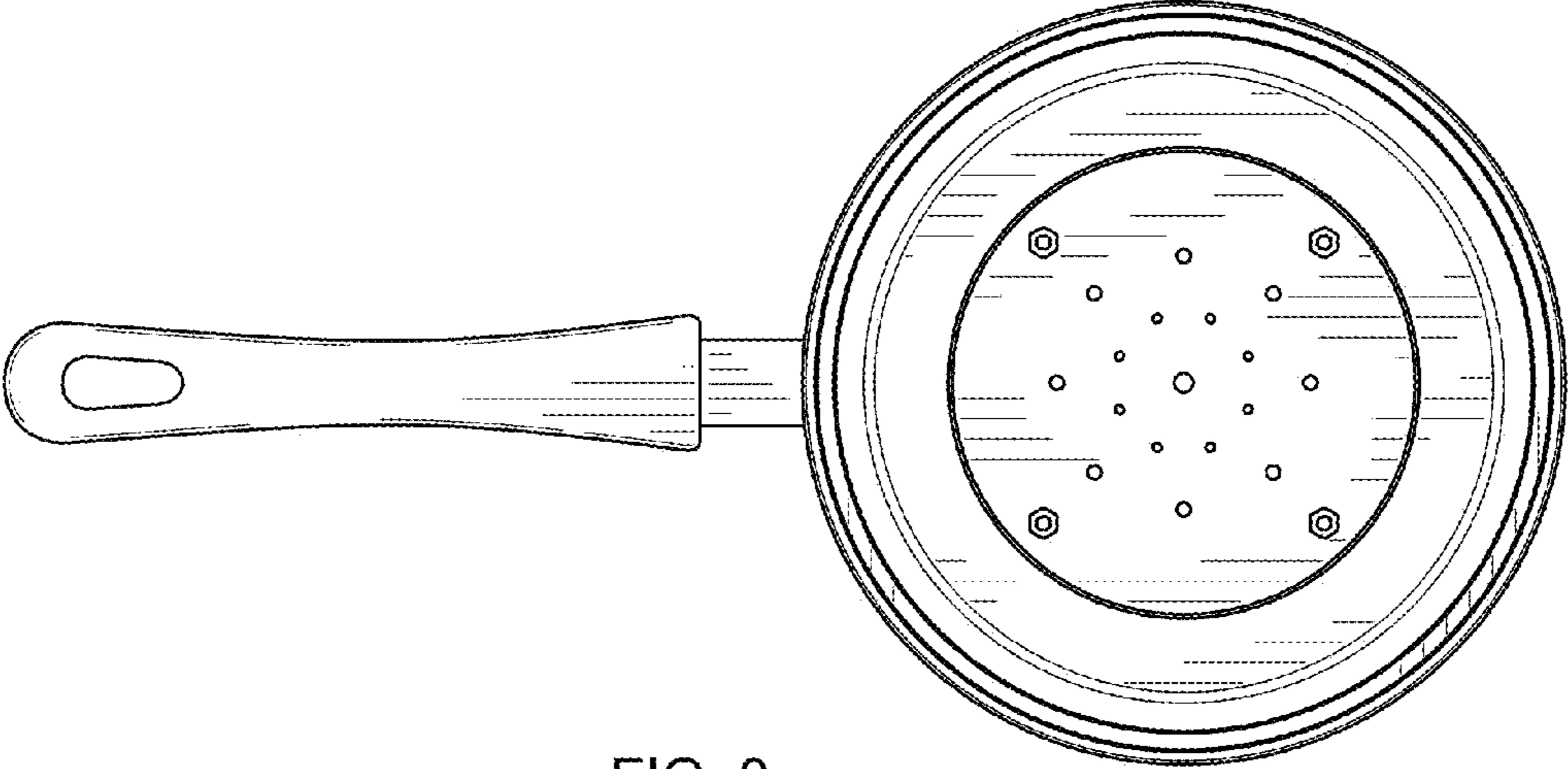


FIG. 8