

US00D691844S

(12) **United States Design Patent**
Jossem

(10) **Patent No.:** **US D691,844 S**
(45) **Date of Patent:** **** Oct. 22, 2013**

(54) **EGG POACHER**

(56) **References Cited**

(75) Inventor: **Adam A. Jossem**, Seattle, WA (US)
(73) Assignee: **Chef'n Corporation**, Seattle, WA (US)
(**) Term: **14 Years**
(21) Appl. No.: **29/427,141**
(22) Filed: **Jul. 13, 2012**
(51) **LOC (9) Cl.** **07-02**
(52) **U.S. Cl.**
USPC **D7/354**
(58) **Field of Classification Search**
USPC D7/323, 329-332, 337-339, 346-347,
D7/350.1-350.4, 353-367, 391-395,
D7/402-406, 503-505, 538-543, 611, 665,
D7/667; 30/120.1; 99/324-325, 330-332,
99/337-343, 366-369, 400-418, 422, 425,
99/444, 483; 126/37 R, 41 R, 261, 369,
126/378.1; 206/501-505, 507-508;
219/387, 400, 405, 429-442, 452.11,
219/620-624, 725, 730-735; 220/314-315,
220/573.1-573.5, 592.16, 912; 426/438,
426/441

U.S. PATENT DOCUMENTS

D101,542 S *	10/1936	Lehman	D7/505
D146,370 S *	2/1947	Mooss	D7/503
3,839,792 A *	10/1974	Cecon	30/120.1
4,873,922 A *	10/1989	Umholtz	99/426
D329,173 S *	9/1992	Thill	D7/611
D399,094 S *	10/1998	Joergensen	D7/503
D500,634 S *	1/2005	Doria	D7/503
D555,984 S *	11/2007	Curtin	D7/667
D569,679 S *	5/2008	Lion et al.	D7/357
D571,165 S *	6/2008	Silver et al.	D7/667

* cited by examiner

Primary Examiner — Ricky Pham
(74) *Attorney, Agent, or Firm* — Seed IP Law Group PLLC

(57) **CLAIM**

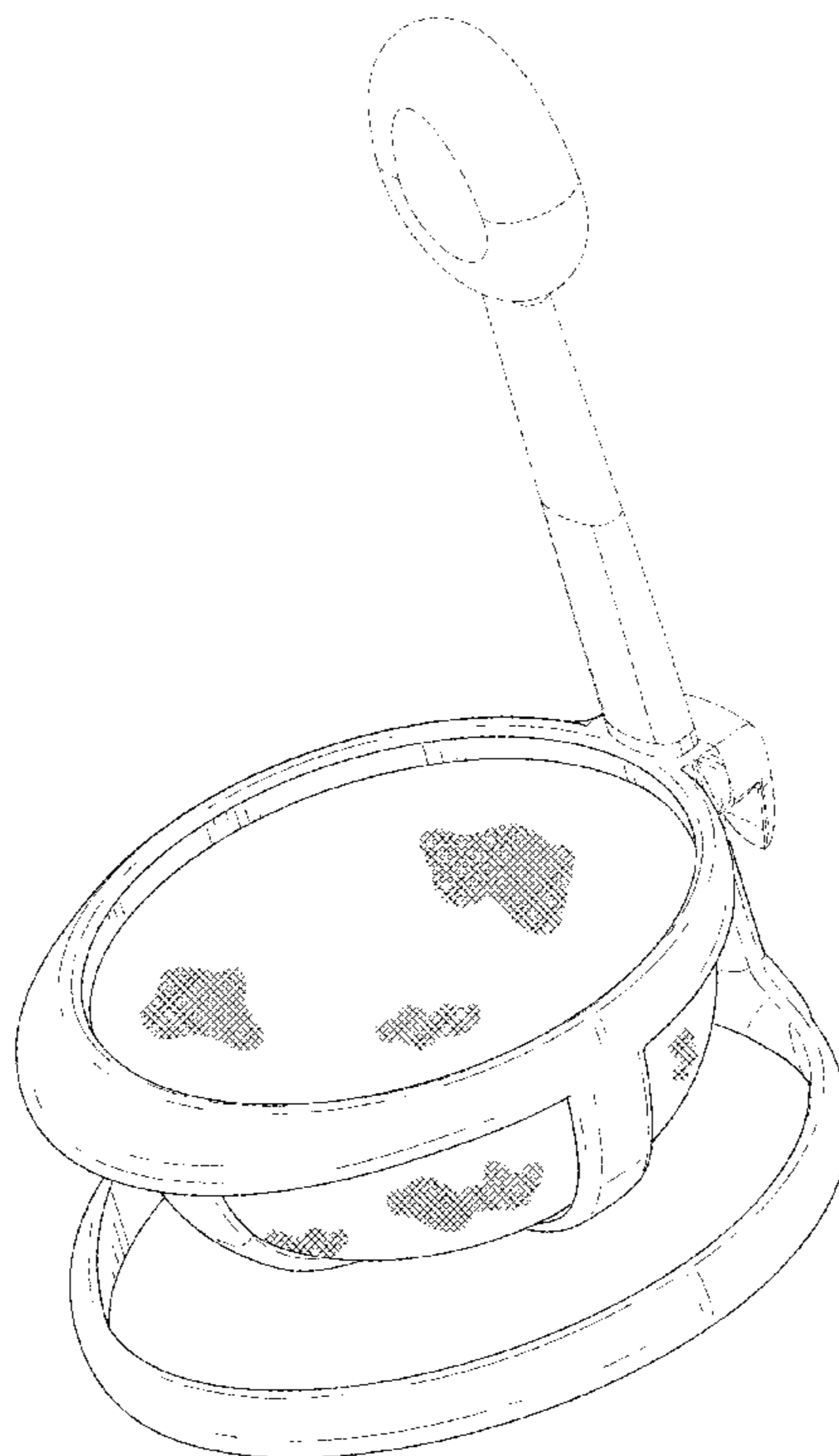
The ornamental design for a egg poacher, as shown and described.

DESCRIPTION

FIG. 1 is a perspective view of an egg poacher showing my new design;
FIG. 2 is a front elevation view thereof.
FIG. 3 is a rear elevation view thereof.
FIG. 4 is a right side elevation view thereof.
FIG. 5 is a left side elevation view thereof.
FIG. 6 is a top plan view thereof; and,
FIG. 7 is a bottom plan view thereof.
The broken lines in the figures form no part of the claimed design.

See application file for complete search history.

1 Claim, 7 Drawing Sheets



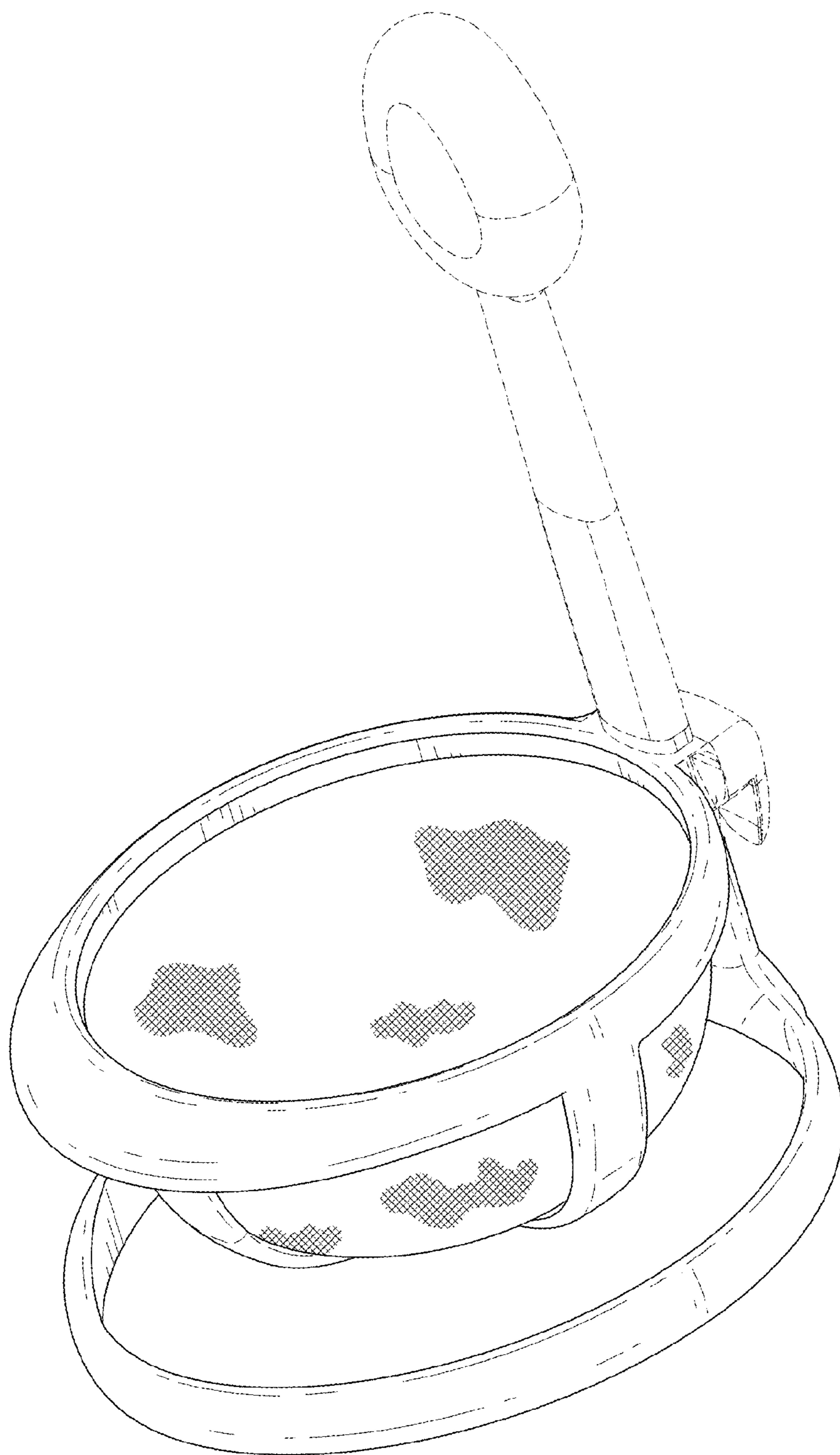


FIG. 1

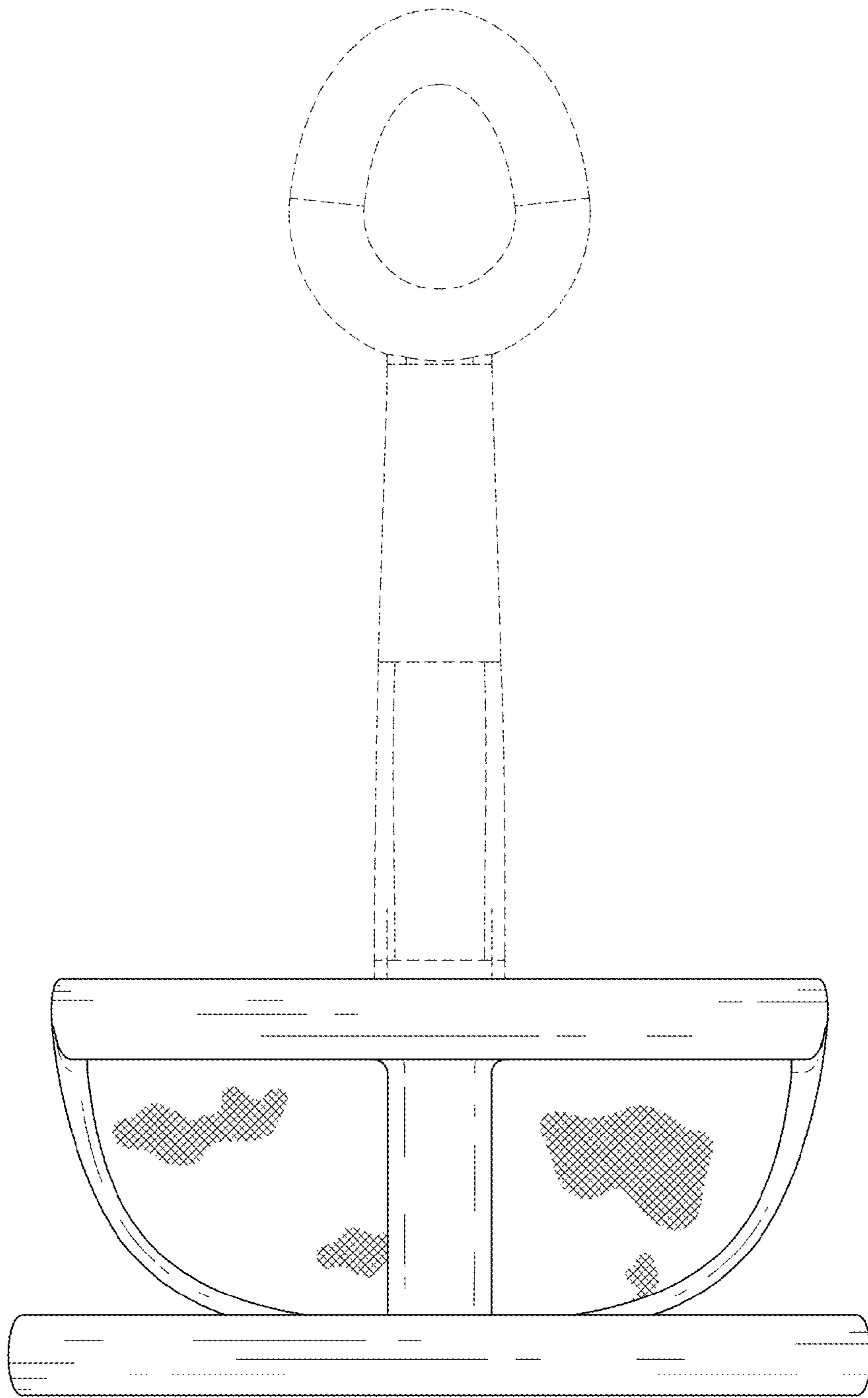


FIG. 2

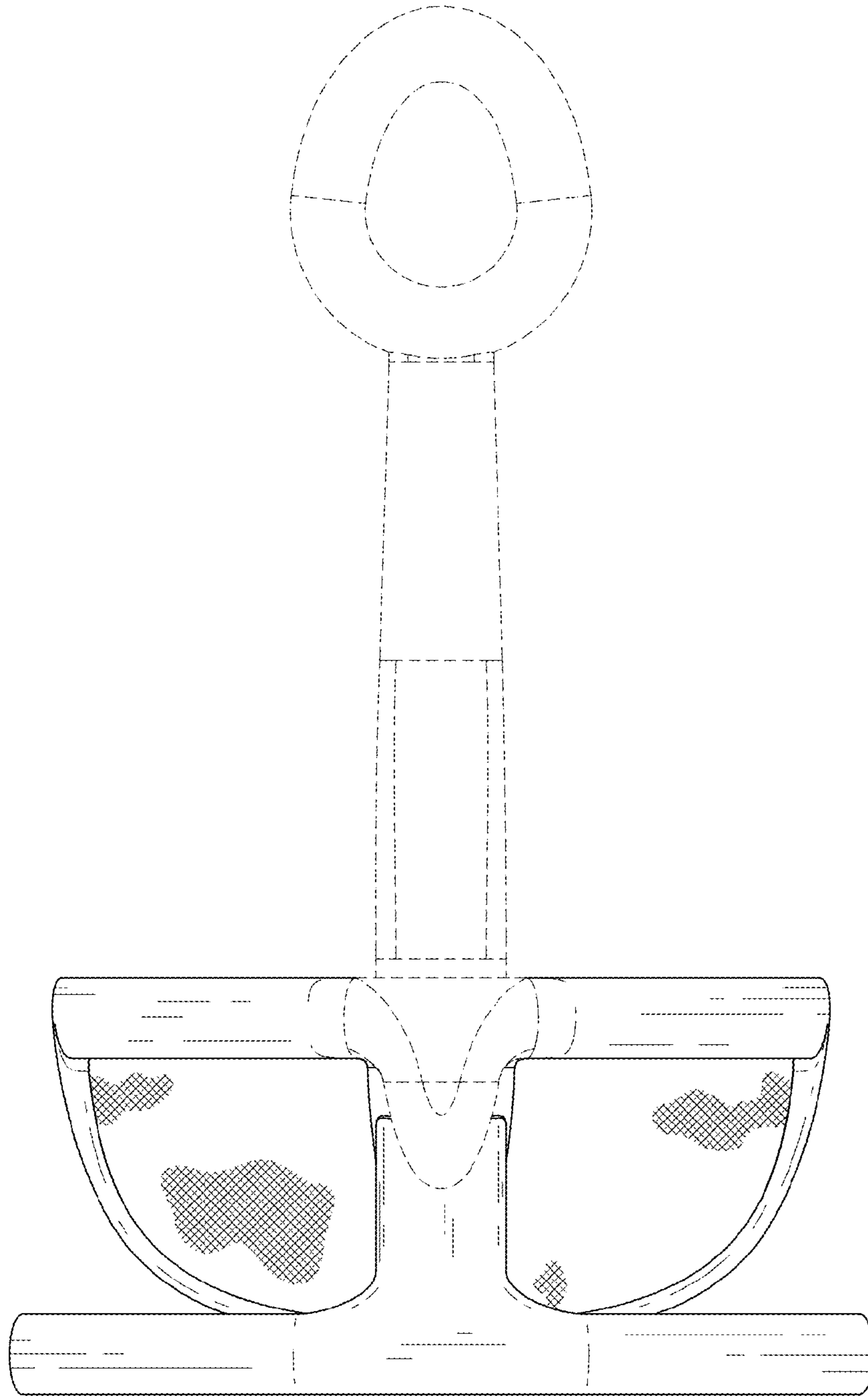


FIG. 3

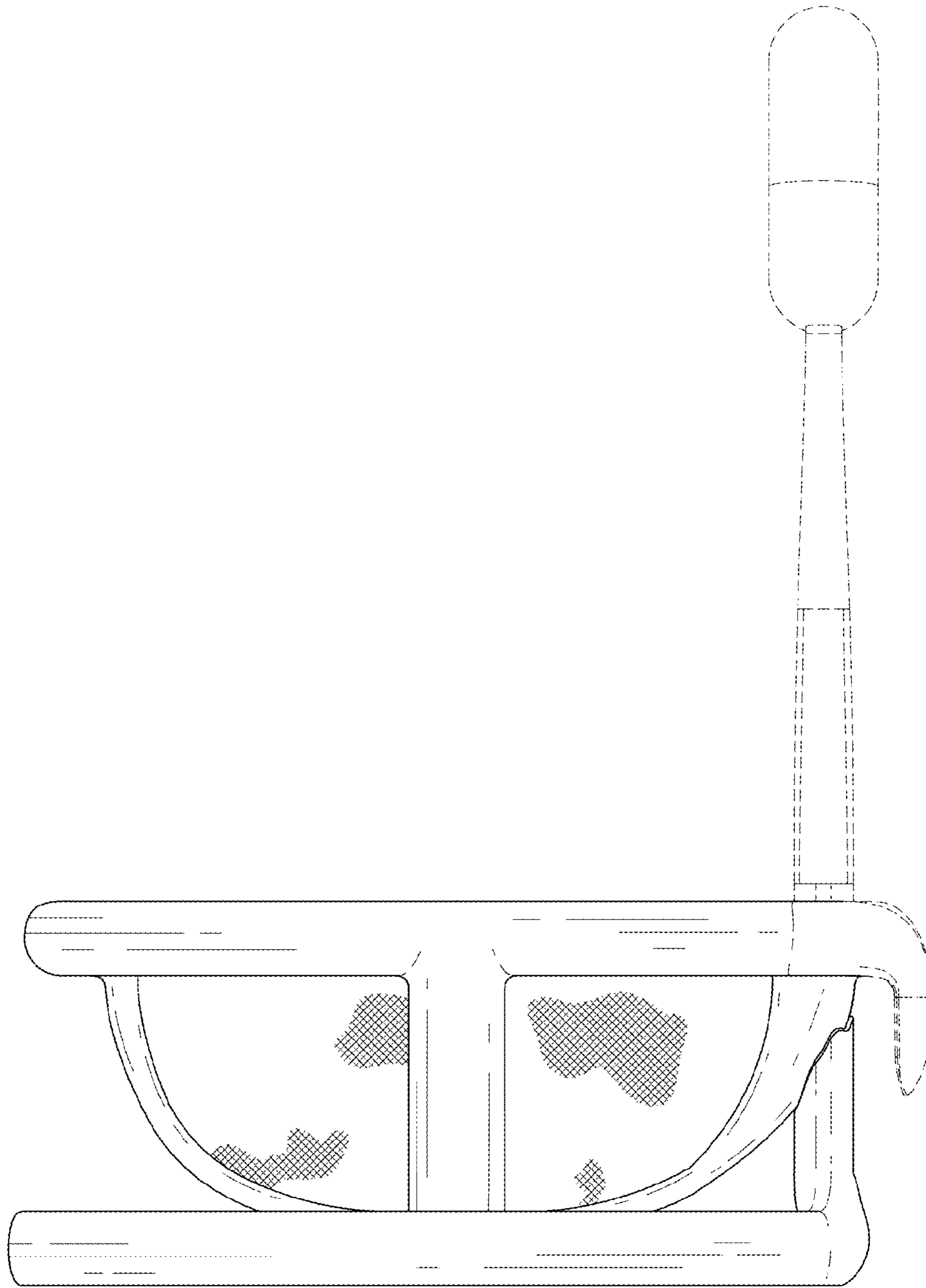


FIG. 4

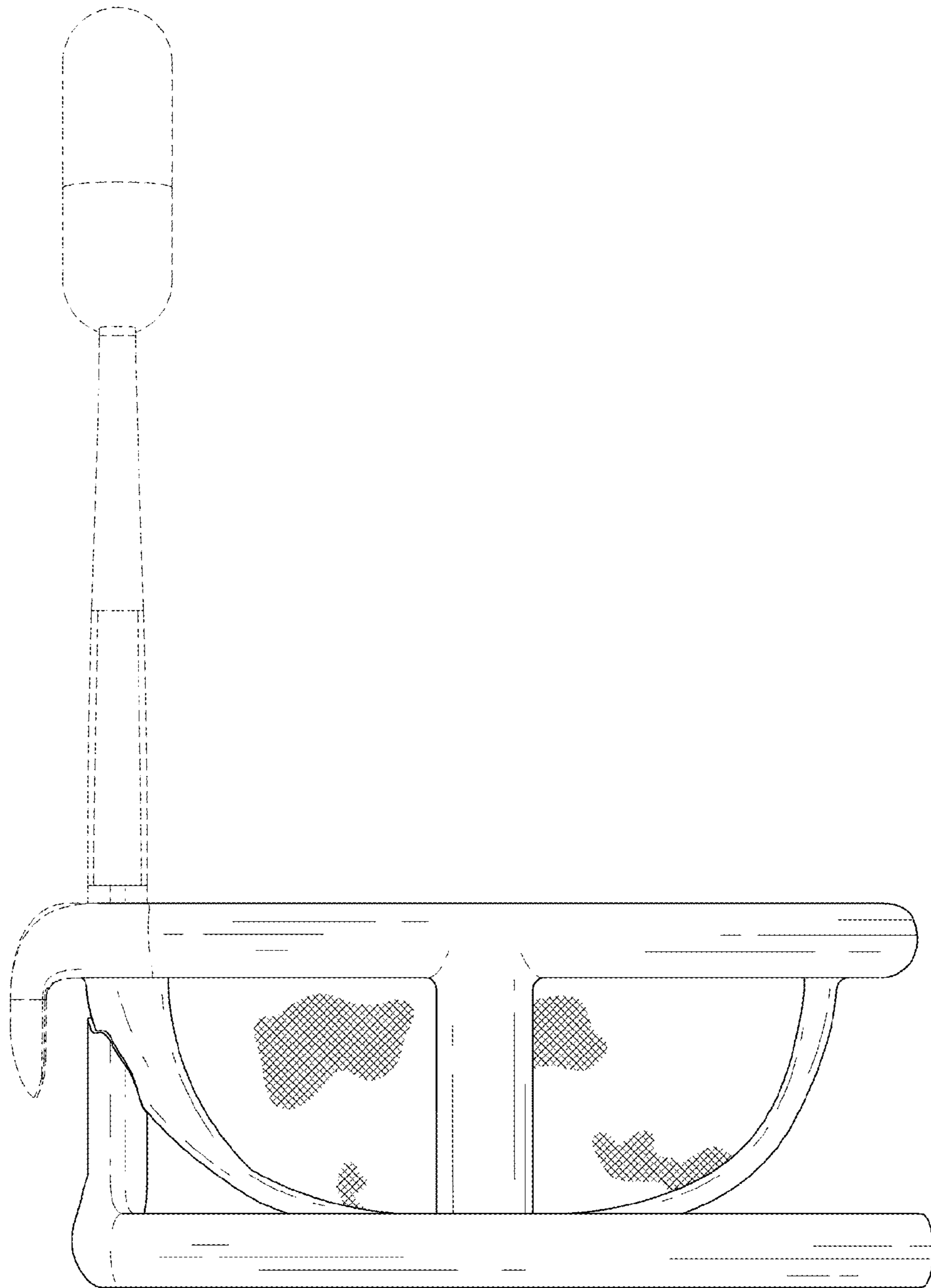


FIG. 5

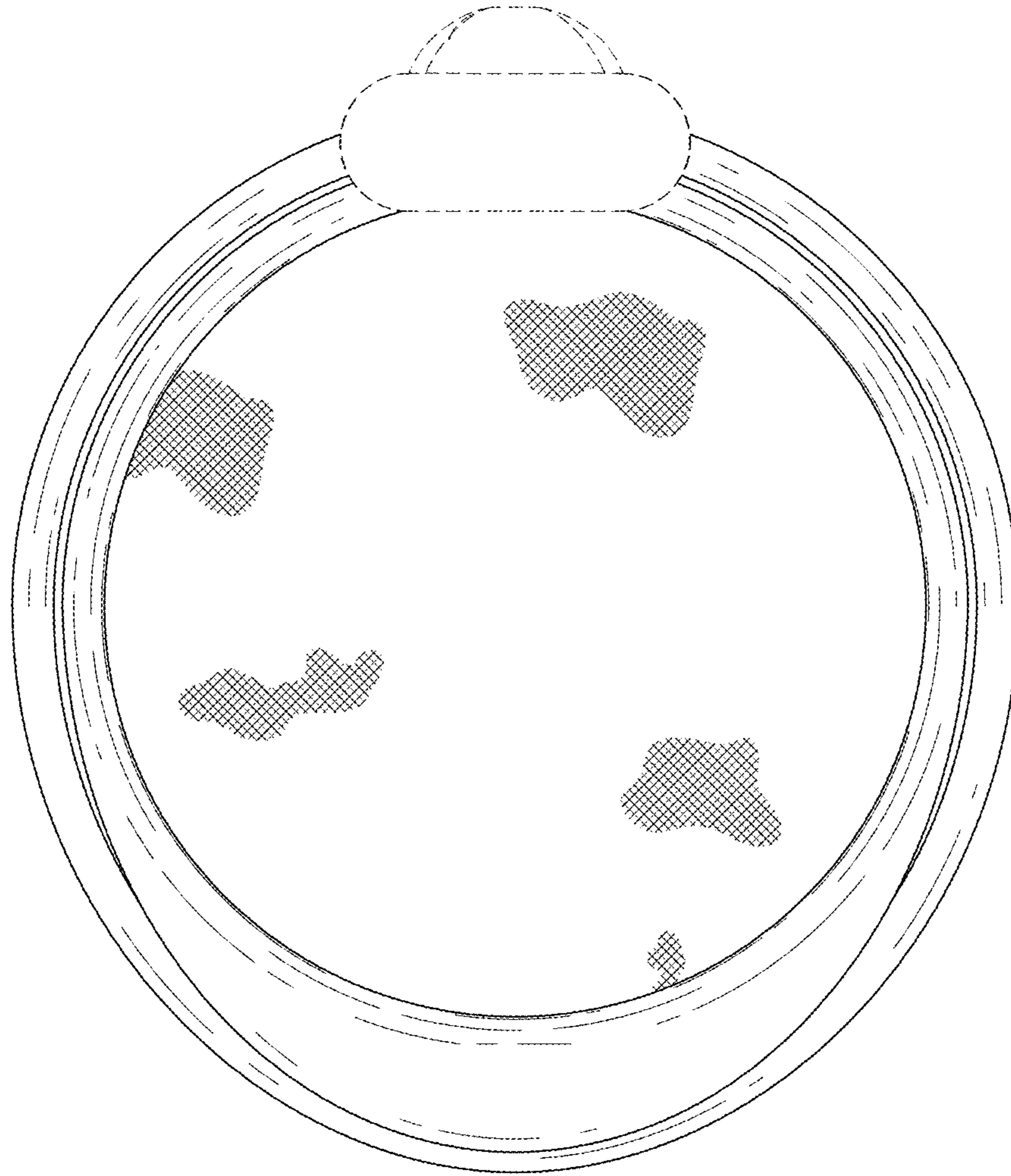


FIG. 6

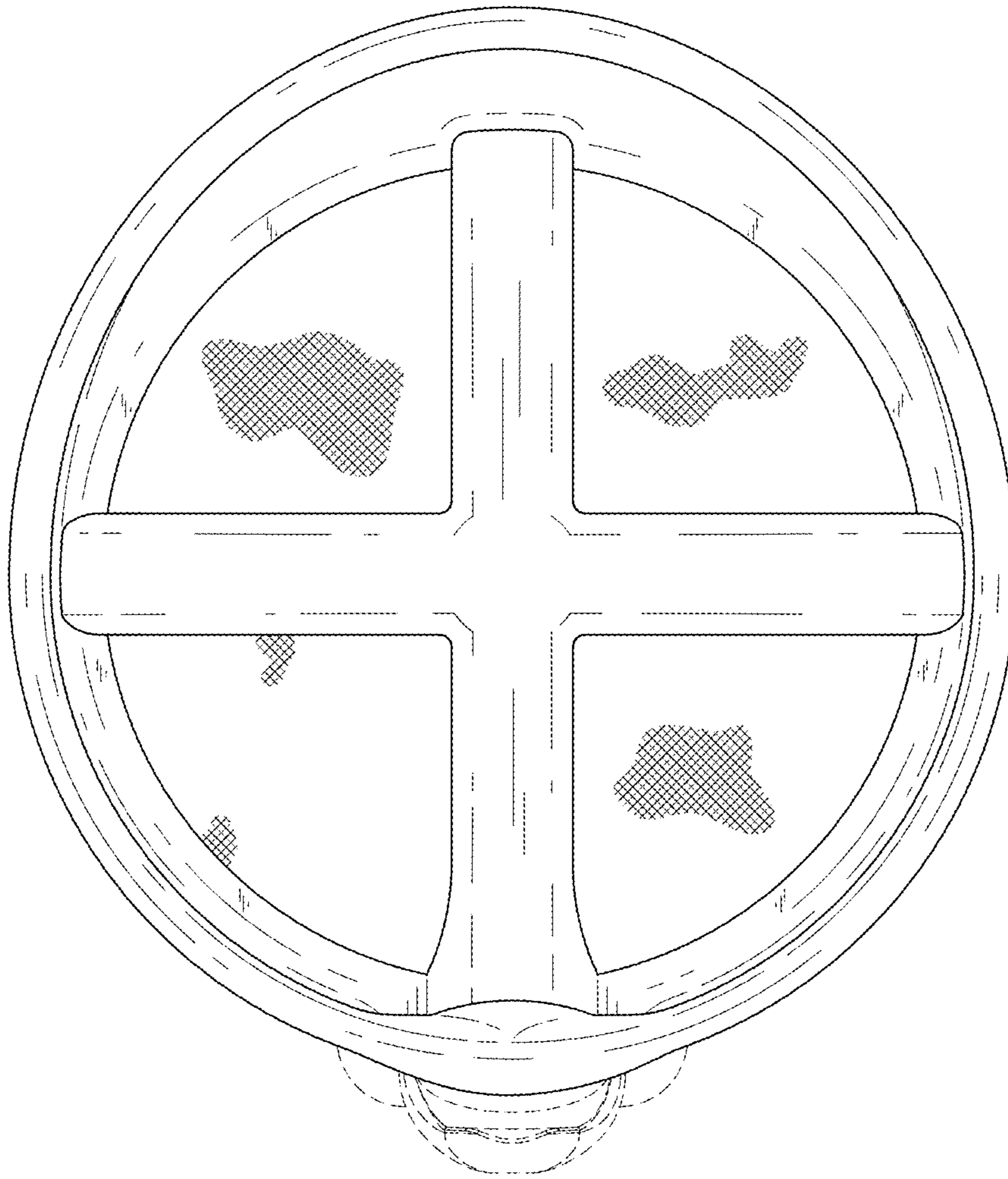


FIG. 7