



US00D691841S

(12) **United States Design Patent**
Wu

(10) **Patent No.:** **US D691,841 S**
(45) **Date of Patent:** **** Oct. 22, 2013**

(54) **STOOL FRAME**

2006/0152061 A1* 7/2006 Wu 297/452.21

(76) Inventor: **Yao-Chuan Wu**, Chiayi Hsien (TW)

* cited by examiner

(**) Term: **14 Years**

Primary Examiner — Susan Bennett Hattan

Assistant Examiner — Vy Koenig

(21) Appl. No.: **29/423,482**

(74) *Attorney, Agent, or Firm* — Alan Kamrath; Kamrath IP Lawfirm, P.A.

(22) Filed: **Jun. 1, 2012**

(51) **LOC (9) Cl.** **06-01**

(52) **U.S. Cl.**

USPC **D6/716.1**; D6/349

(58) **Field of Classification Search**

USPC D6/34–355, 360, 363–365, 367–373,
D6/656, 716.1–716.6, 717, 717.29;
297/461, 462, 115, 116, 135, 160–162

See application file for complete search history.

(56) **References Cited**

U.S. PATENT DOCUMENTS

D217,961 S	*	7/1970	Strassle	D6/349
D222,248 S	*	10/1971	Leaver	D6/365
D540,047 S	*	4/2007	Mourgue	D6/352
D664,371 S	*	7/2012	Wilson	D6/349

(57) **CLAIM**

The ornamental design for a stool frame, as shown and described.

DESCRIPTION

FIG. 1 is a perspective view of a stool frame showing my design;

FIG. 2 is a front elevational view thereof;

FIG. 3 is a rear elevational view thereof;

FIG. 4 is a left side elevational view thereof;

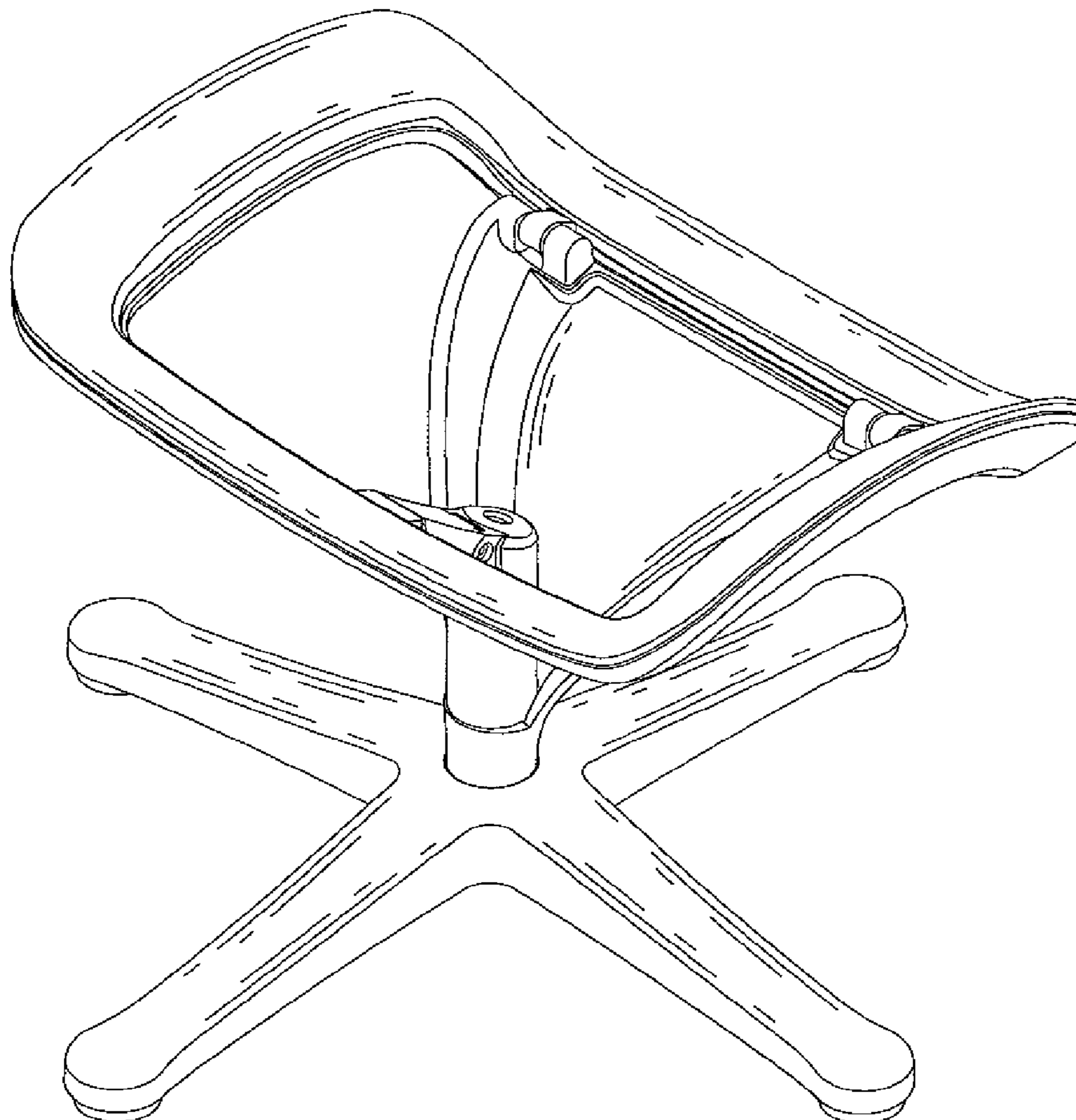
FIG. 5 is a right side elevational view thereof;

FIG. 6 is a top plan view thereof;

FIG. 7 is a bottom plan view thereof; and,

FIG. 8 is a perspective view from the rear bottom side thereof.

1 Claim, 8 Drawing Sheets



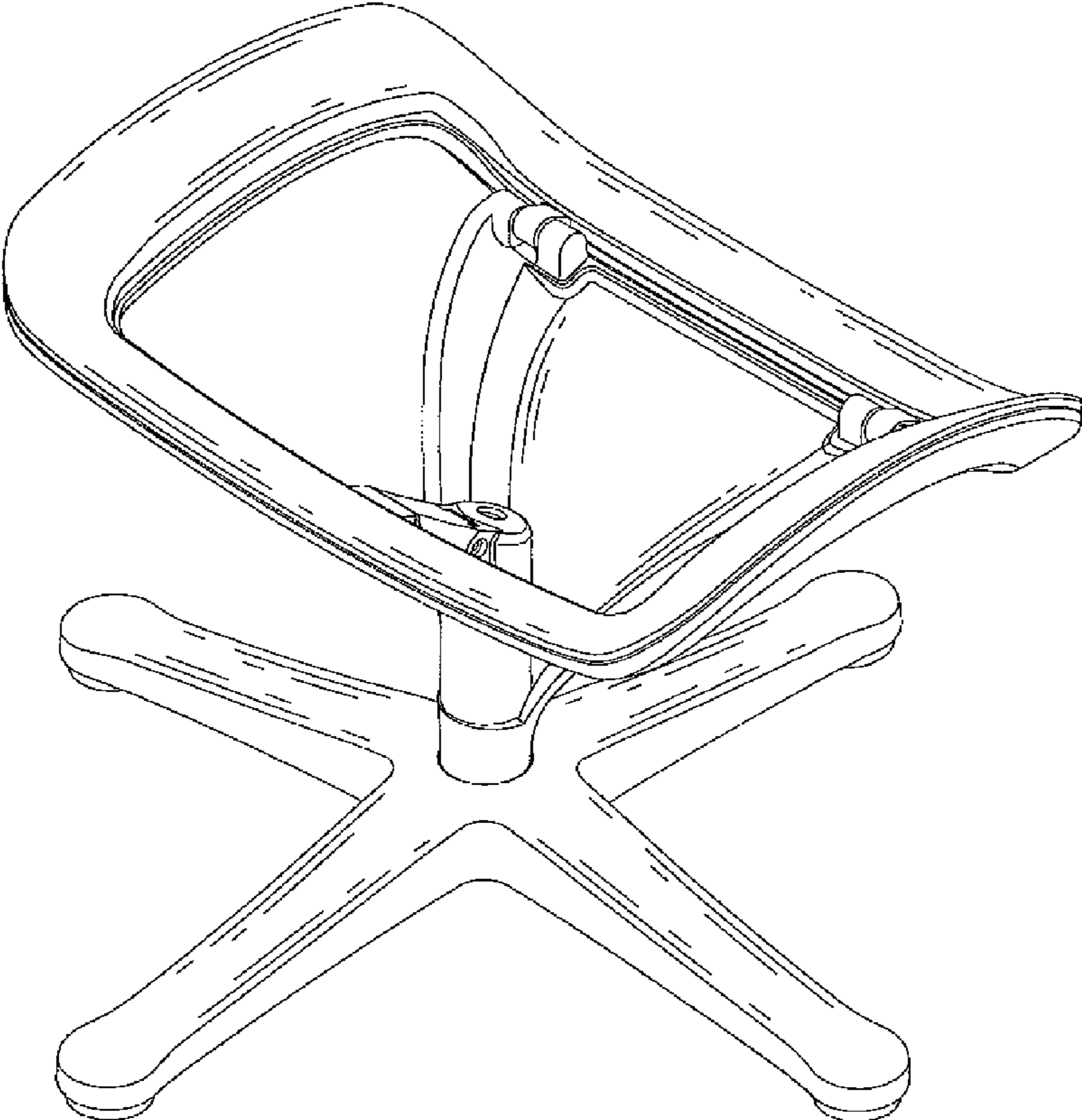


FIG. 1

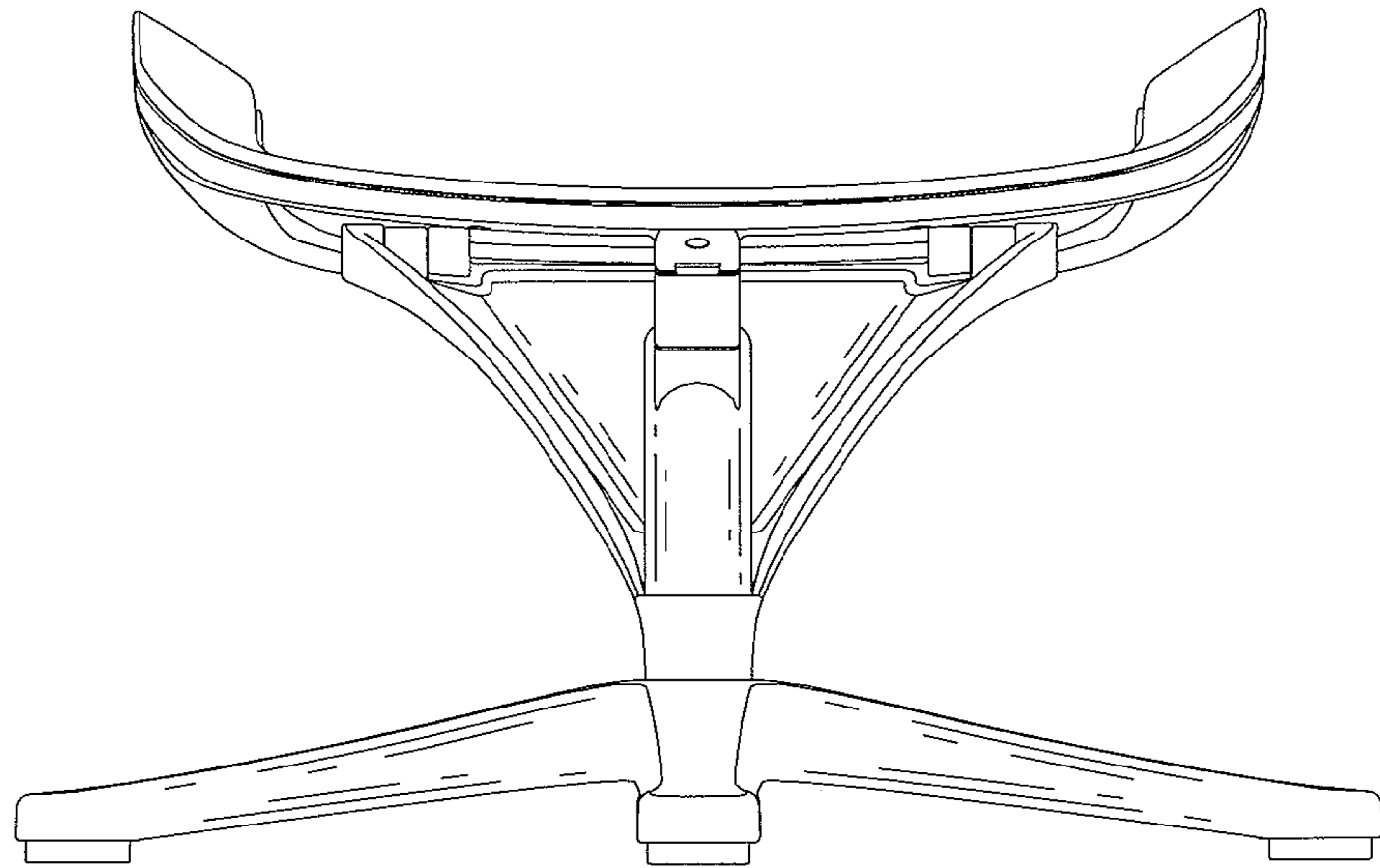


FIG. 2

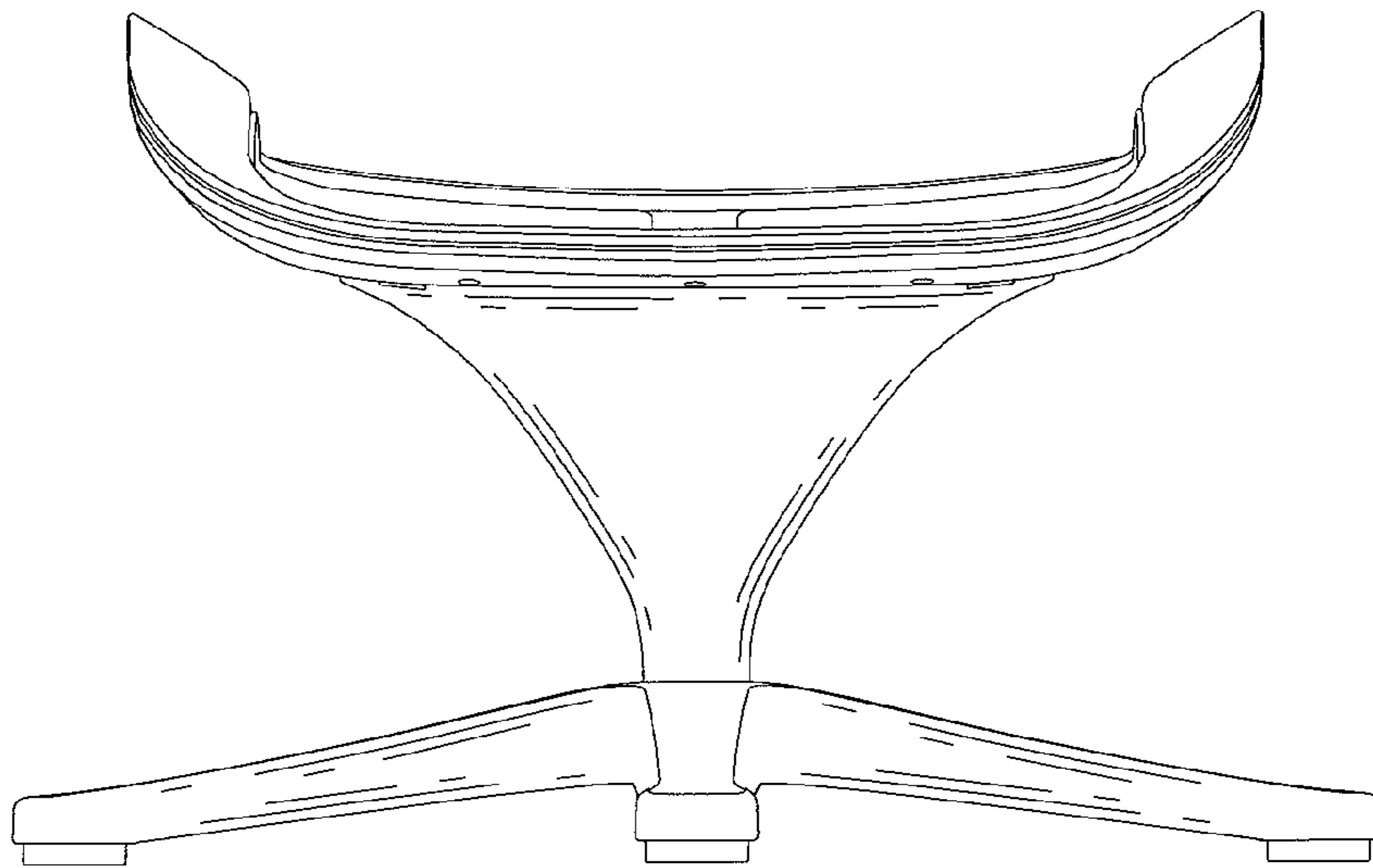


FIG. 3

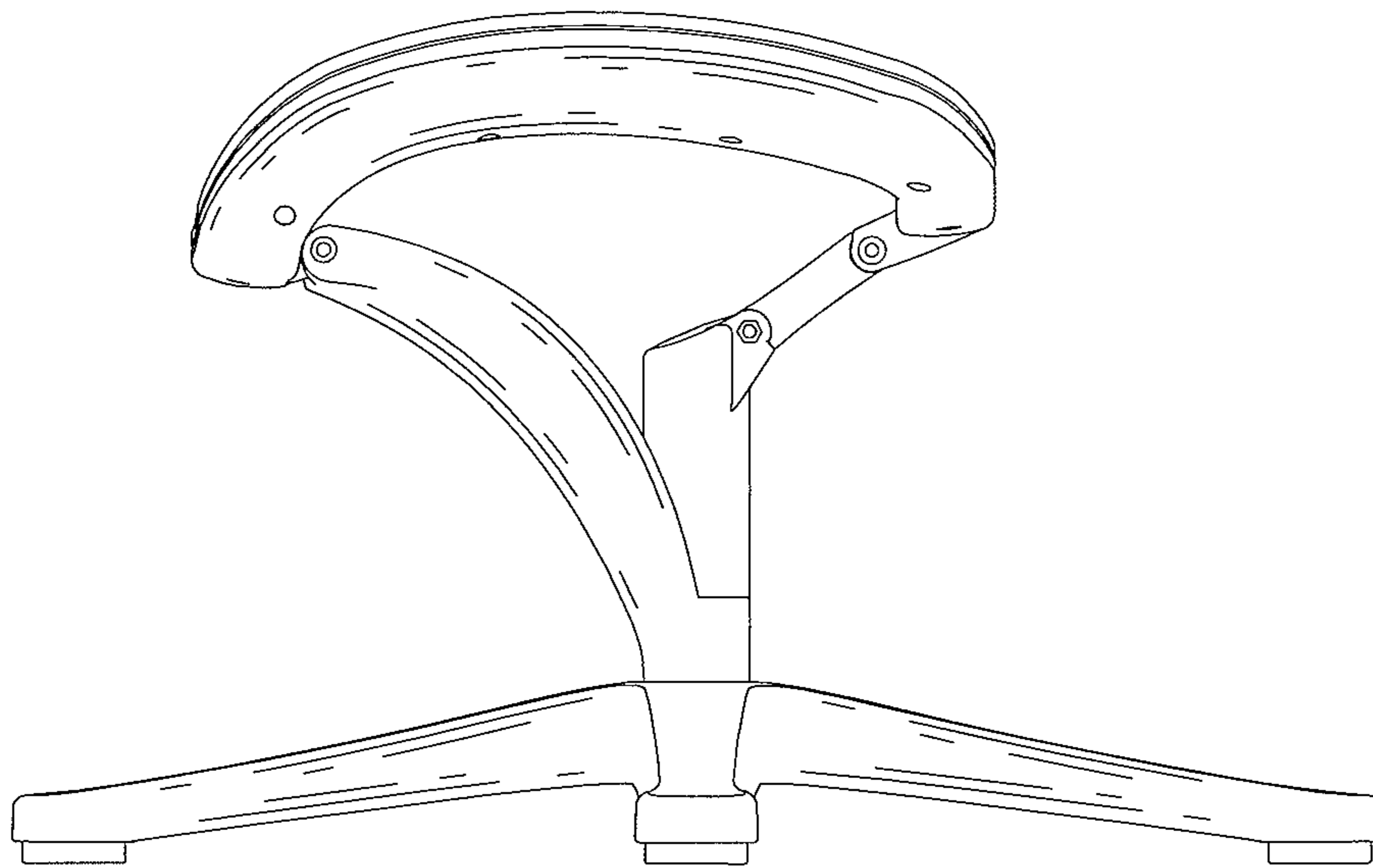


FIG. 4

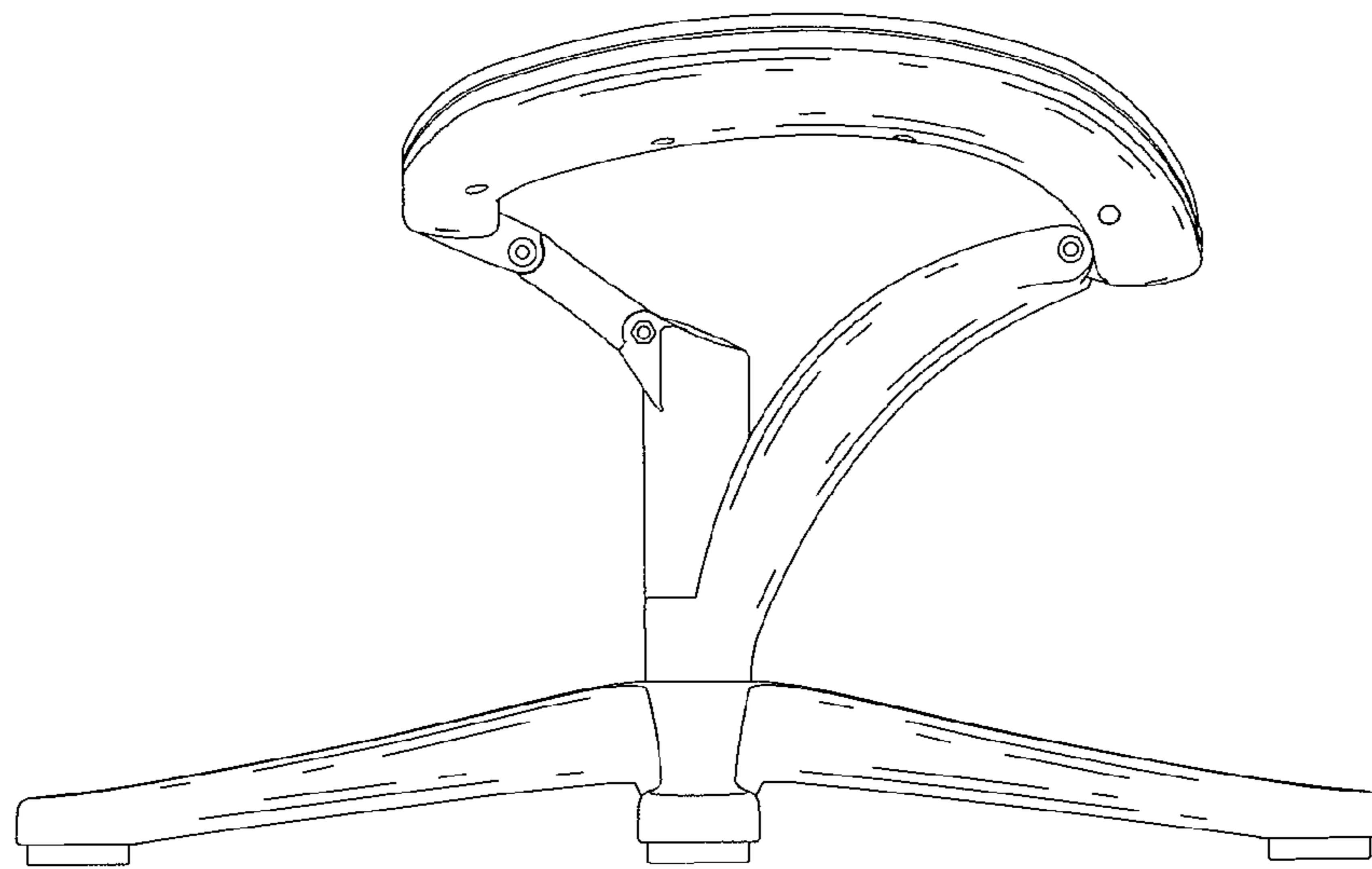


FIG. 5

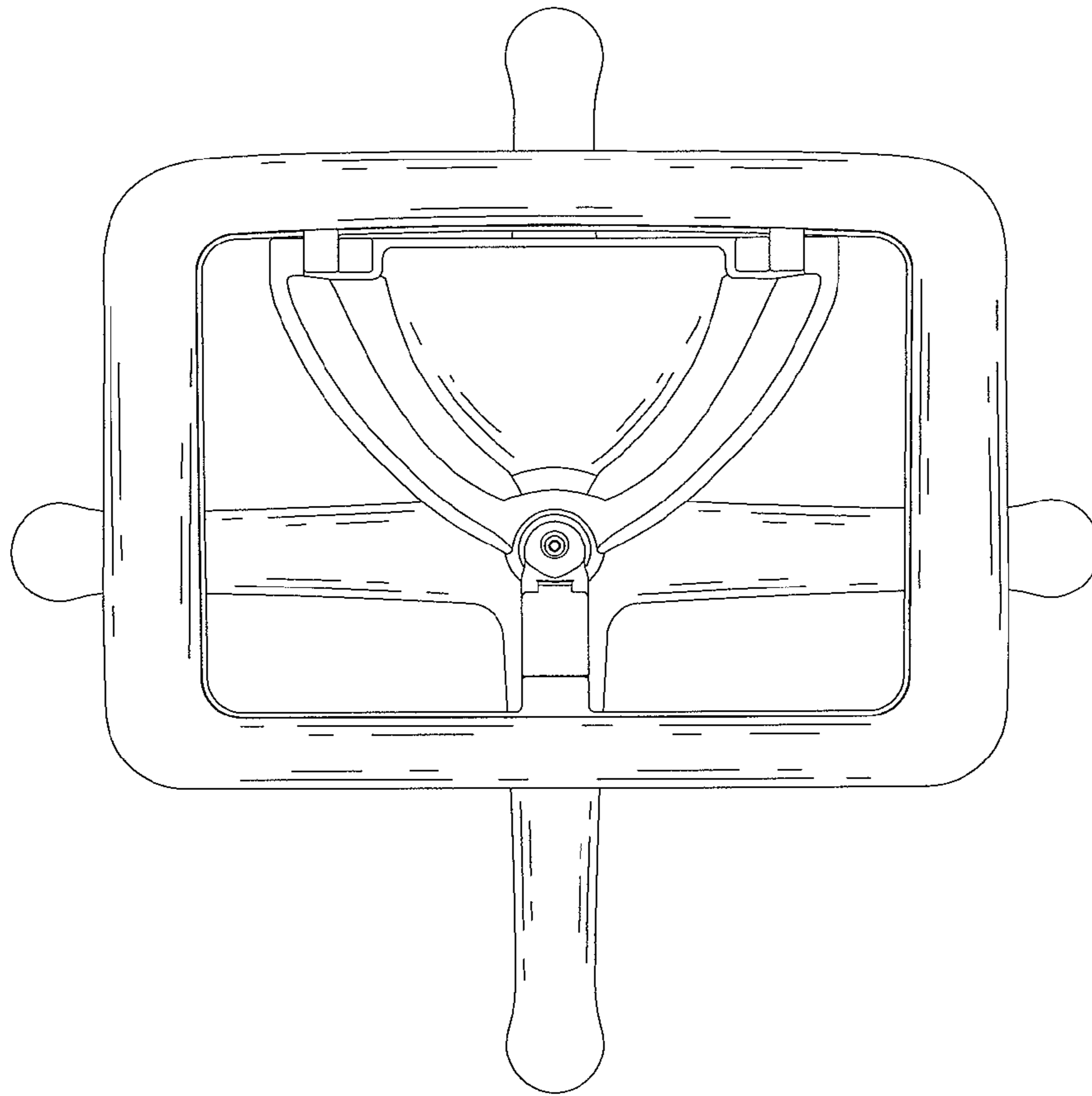


FIG. 6

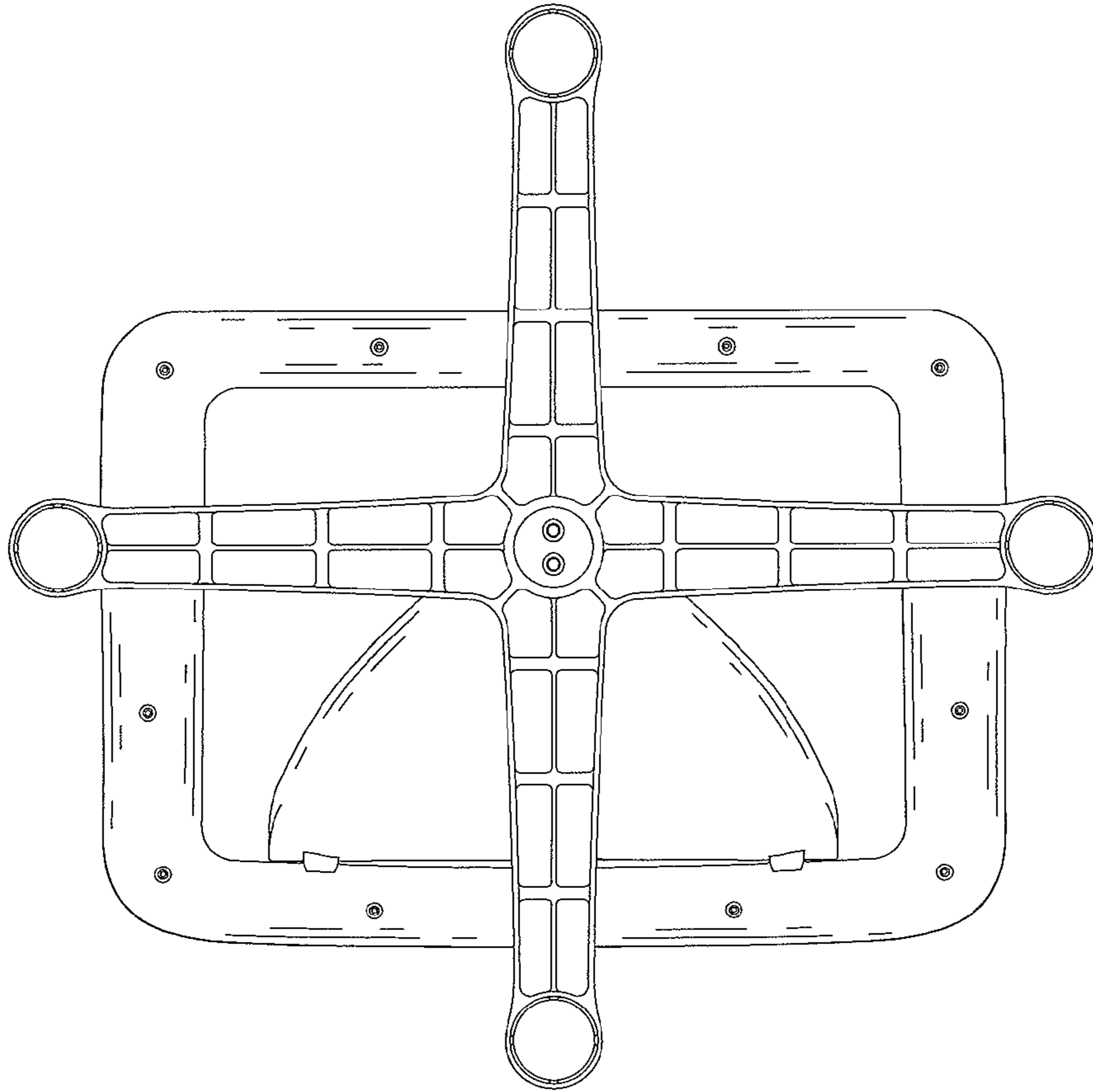


FIG. 7

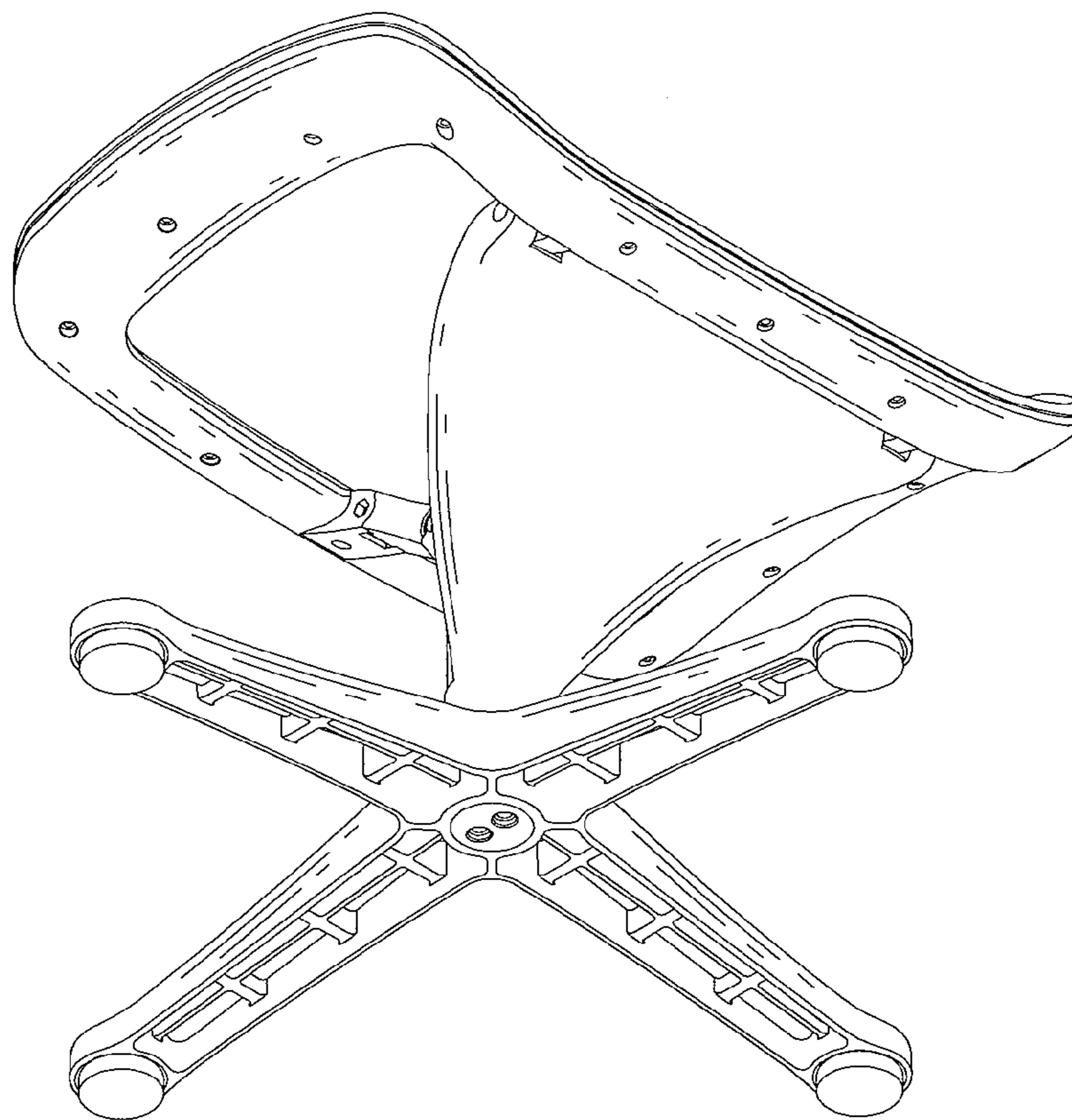


FIG. 8