

US00D691840S

(12) **United States Design Patent**
Copeland

(10) **Patent No.:** **US D691,840 S**

(45) **Date of Patent:** **** *Oct. 22, 2013**

(54) **TABLE**

(75) **Inventor:** **Stephan Copeland**, Merion Station, PA (US)

(73) **Assignee:** **Steelcase Inc.**, Grand Rapids, MI (US)

(*) **Notice:** This patent is subject to a terminal disclaimer.

(**) **Term:** **14 Years**

(21) **Appl. No.:** **29/419,461**

(22) **Filed:** **Apr. 27, 2012**

(51) **LOC (9) Cl.** **06-03**

(52) **U.S. Cl.**
USPC **D6/691.4; D6/656.15**

(58) **Field of Classification Search**
USPC D6/406.1, 656, 656.13, 656.15, 691, D6/691.3, 691.4, 692.3, 696.1; 108/150, 108/50.01, 50.02, 153.1, 156, 161, 144.11, 108/146, 147.15, 147.19; 248/188, 188.1, 248/188.7

See application file for complete search history.

(56) **References Cited**

U.S. PATENT DOCUMENTS

1,394,526 A	10/1921	Amsden	
2,150,397 A	3/1939	Owen	
D122,925 S	10/1940	Holden et al.	
2,299,909 A	10/1942	Linderme	
2,604,884 A	7/1952	Walker	
3,026,079 A *	3/1962	Stack	248/122.1
3,217,672 A	11/1965	Haughey	
3,358,620 A	12/1967	Parigi	
3,853,297 A	12/1974	Drolet	
D236,045 S	7/1975	Petric	
D236,775 S	9/1975	Cowley	
3,903,812 A	9/1975	Cowley	
3,908,561 A	9/1975	Cowley	
D246,880 S	1/1978	Miola	

4,248,161 A	2/1981	Adair et al.	
D270,588 S *	9/1983	Kemple	D6/486
D289,588 S	5/1987	Winzeler, III	
D290,072 S *	6/1987	Winzeler, III	D6/486
D296,851 S	7/1988	Kelley	
D314,878 S	2/1991	Hart	
RE33,645 E	7/1991	Coote	
D341,507 S	11/1993	Harvey et al.	
D353,287 S	12/1994	Hemberger	
5,460,392 A	10/1995	Hansen	
5,465,671 A	11/1995	Genest	
5,771,613 A *	6/1998	Geils et al.	38/102.21
D417,980 S	12/1999	Fraquelli et al.	
D441,224 S	5/2001	Scheper et al.	
6,327,982 B1	12/2001	Jackson	
6,578,500 B2	6/2003	Malizia	
6,688,634 B2	2/2004	Noffsinger	
6,694,891 B1	2/2004	Lai	
6,817,303 B2	11/2004	Gosselin	
D515,850 S	2/2006	Duke	

(Continued)

FOREIGN PATENT DOCUMENTS

GB 746455 3/1956

Primary Examiner — Janice Seeger

(74) *Attorney, Agent, or Firm* — Price Heneveld LLP

(57) **CLAIM**

I claim the ornamental design for table, as shown and described.

DESCRIPTION

FIG. 1 is a perspective view of a table embodying the present invention;
FIG. 2 is a front view of the table;
FIG. 3 is a rear view of the table;
FIG. 4 is a first side view of the table with the opposite side view being a mirror image thereof;
FIG. 5 is a top view of the table; and,
FIG. 6 is a bottom view of the table.

1 Claim, 6 Drawing Sheets



(56)

References Cited

U.S. PATENT DOCUMENTS

D531,839 S	11/2006	Lade	D615,324 S	5/2010	Yamamoto	
D548,496 S	8/2007	Samtani	D620,276 S	7/2010	Miller	
7,341,006 B2	3/2008	Hernandez	7,823,518 B2	11/2010	Phillips	
D595,070 S	6/2009	Wacker	D640,486 S	6/2011	Saelid	
7,546,810 B2	6/2009	Hernandez	8,100,061 B2 *	1/2012	Hookway et al.	108/50.01
7,631,604 B2	12/2009	Huang	D655,111 S	3/2012	Kincaid et al.	
D611,737 S	3/2010	Miller et al.	D671,771 S *	12/2012	Heyvaerts	D6/691.4
D612,169 S	3/2010	Chang	2007/0234934 A1	10/2007	Branch et al.	
D614,892 S	5/2010	Miller et al.	2007/0289506 A1	12/2007	Branch et al.	
			2009/0241805 A1	10/2009	Hernandez	
			2009/0307843 A1 *	12/2009	Hookway et al.	5/425

* cited by examiner



FIG. 1

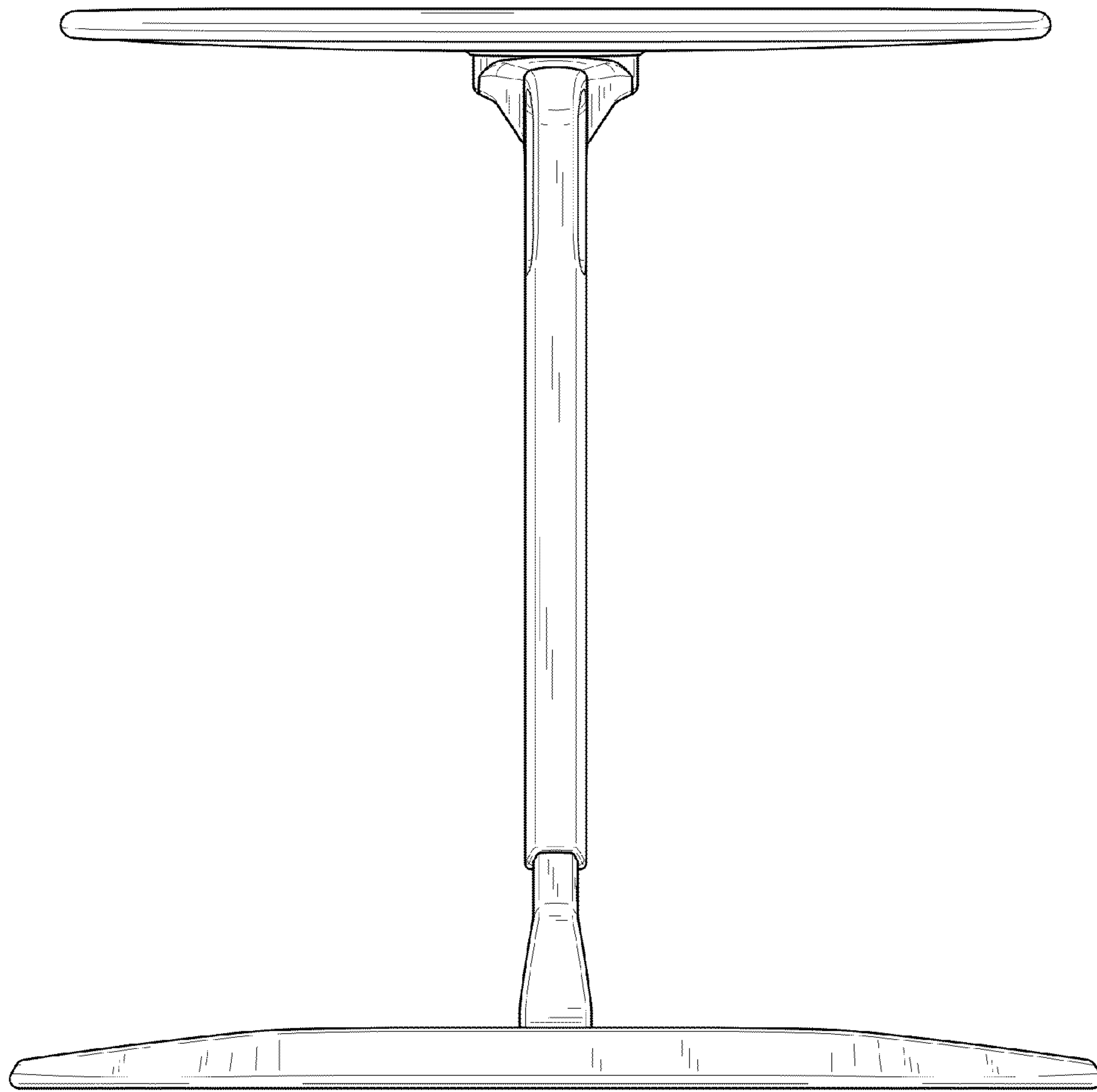


FIG. 2

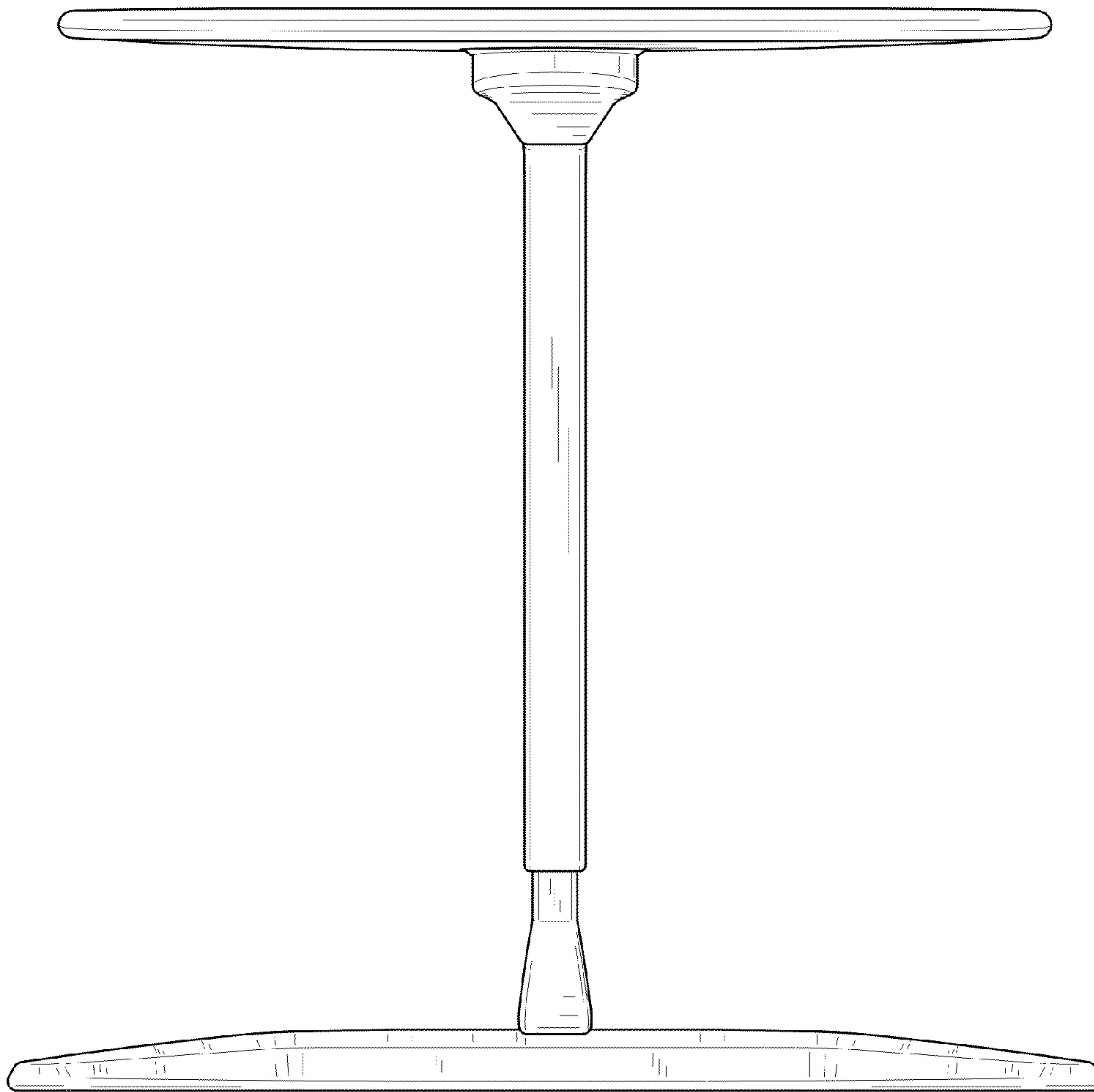


FIG. 3

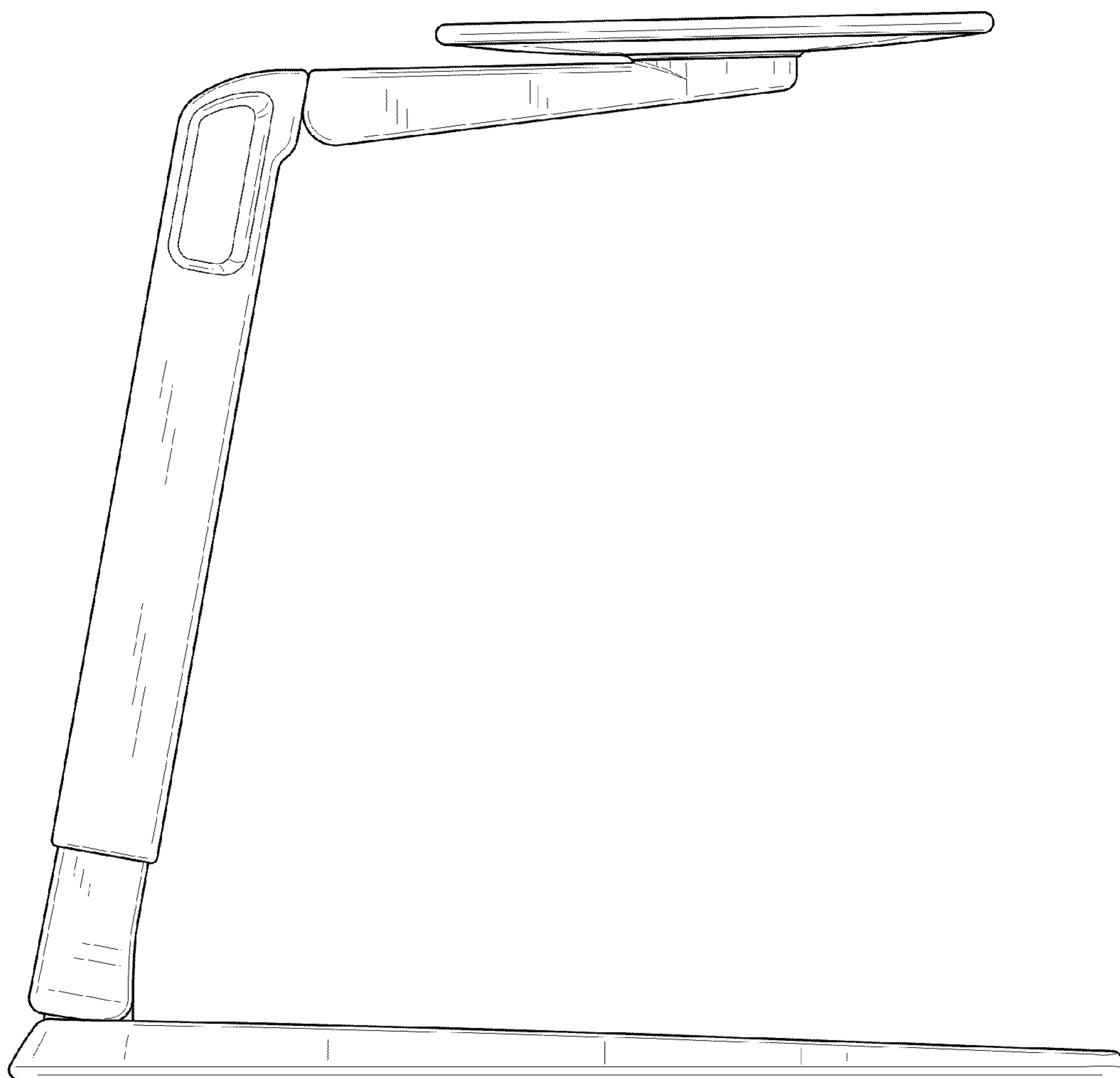


FIG. 4

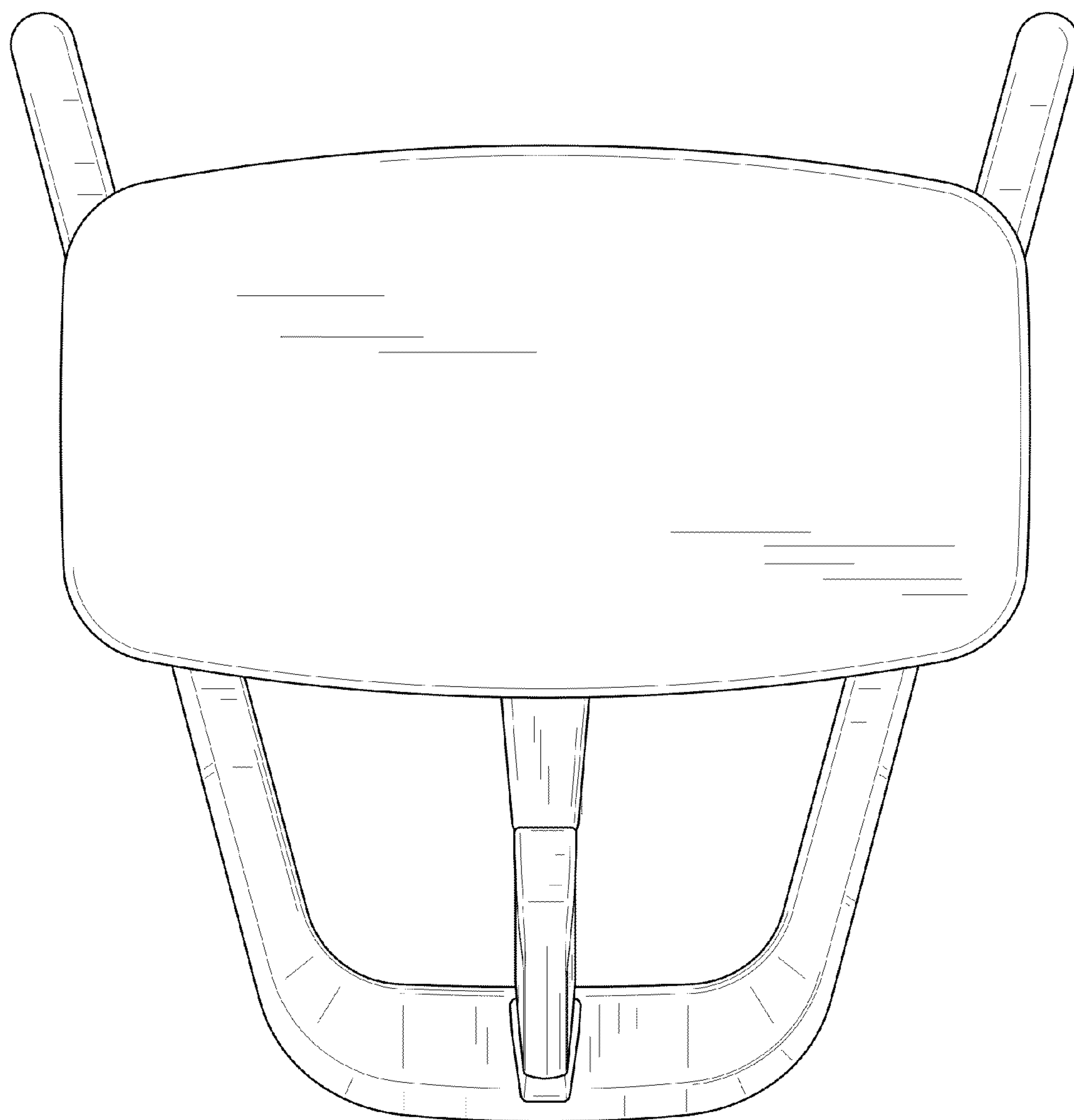


FIG. 5

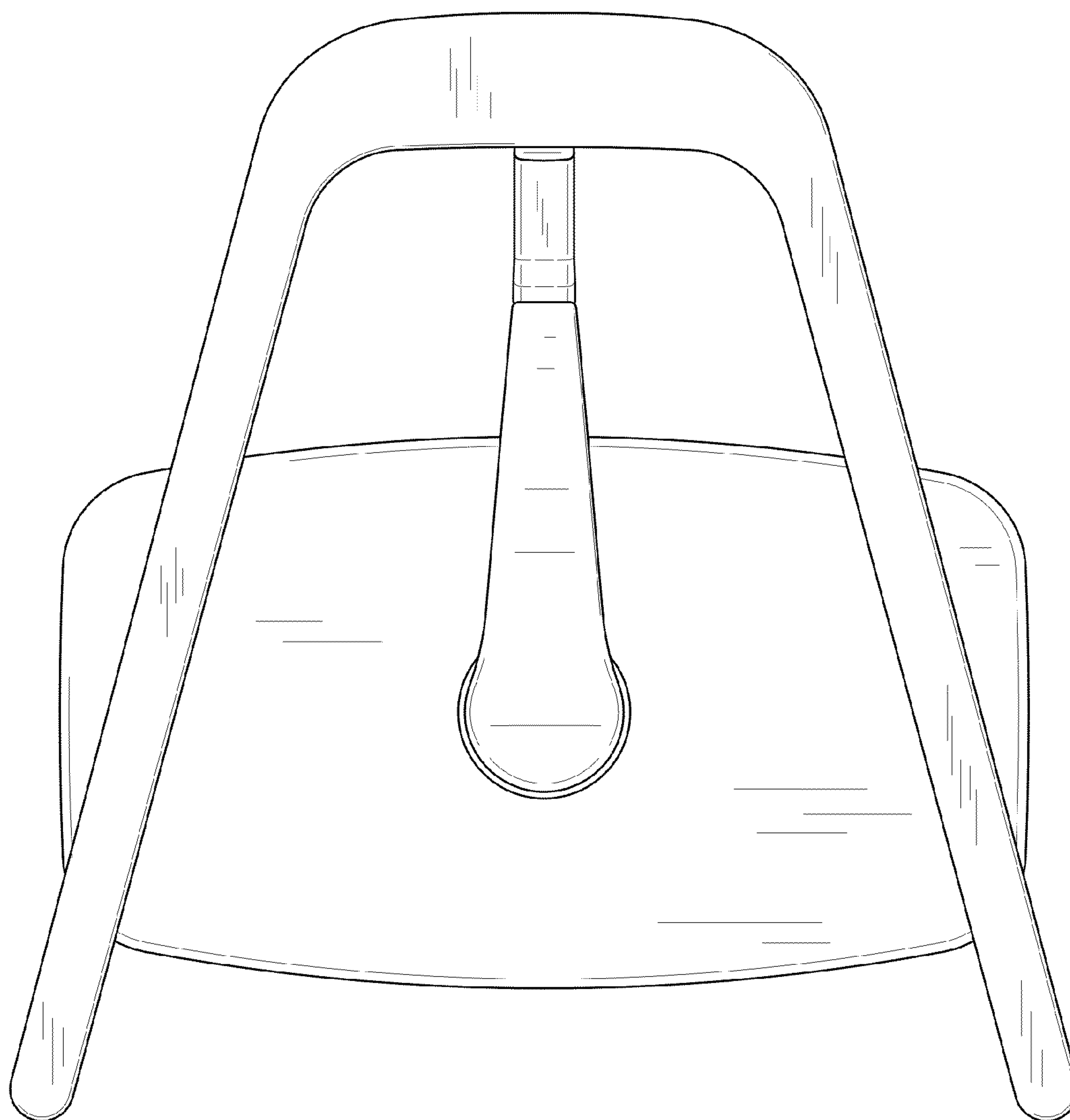


FIG. 6