

US00D691839S

(12) **United States Design Patent**
Dallenbach

(10) **Patent No.:** **US D691,839 S**
(45) **Date of Patent:** **** Oct. 22, 2013**

(54) **SKULL DISPLAY STAND**
(71) Applicant: **Jake Dallenbach**, Daytona Beach, FL
(US)
(72) Inventor: **Jake Dallenbach**, Daytona Beach, FL
(US)
(**) Term: **14 Years**

(21) Appl. No.: **29/443,514**

(22) Filed: **Jan. 18, 2013**

(51) **LOC (9) Cl.** **06-04**

(52) **U.S. Cl.**
USPC **D6/681.1**

(58) **Field of Classification Search**
USPC D6/681, 681.5, 682, 708.16, 681.1, 701,
D6/702; D7/601; D16/242; D26/51;
211/85.2, 181.1, 85.4, 13.1; 248/116,
248/176.1, 125.1, 121, 175

See application file for complete search history.

(56) **References Cited**

U.S. PATENT DOCUMENTS

1,542,672	A	*	6/1925	Crapo	248/116
2,926,875	A	*	3/1960	Hoye	248/121
D216,520	S	*	1/1970	Court	D6/462
D230,109	S	*	1/1974	Gass	D6/499
D261,556	S	*	10/1981	O'Reilly	D26/51
D290,558	S	*	6/1987	Zorrilla	D7/601

4,936,466	A	*	6/1990	Nava	211/85.2
D335,401	S	*	5/1993	Nations	D6/462
D362,570	S	*	9/1995	Mulder	D6/499
D365,249	S	*	12/1995	Reisman	D7/601
D367,153	S	*	2/1996	Sturm	D7/628
D369,482	S	*	5/1996	McArdle	D6/450
D419,034	S	*	1/2000	Sturm	D7/628
D533,750	S	*	12/2006	Goodman et al.	D7/601
D538,109	S	*	3/2007	Goodman et al.	D7/601
D548,500	S	*	8/2007	Bailey	D6/499
D586,624	S	*	2/2009	Goodman et al.	D7/601
D637,043	S	*	5/2011	Baquero	D7/601
D644,681	S	*	9/2011	Rix	D16/242
D666,236	S	*	8/2012	Rix	D16/242

* cited by examiner

Primary Examiner — Cathron Brooks

Assistant Examiner — Sydney Buffalow

(74) *Attorney, Agent, or Firm* — Daniel Law Offices, P.A.;
Jason T. Daniel, Esq.

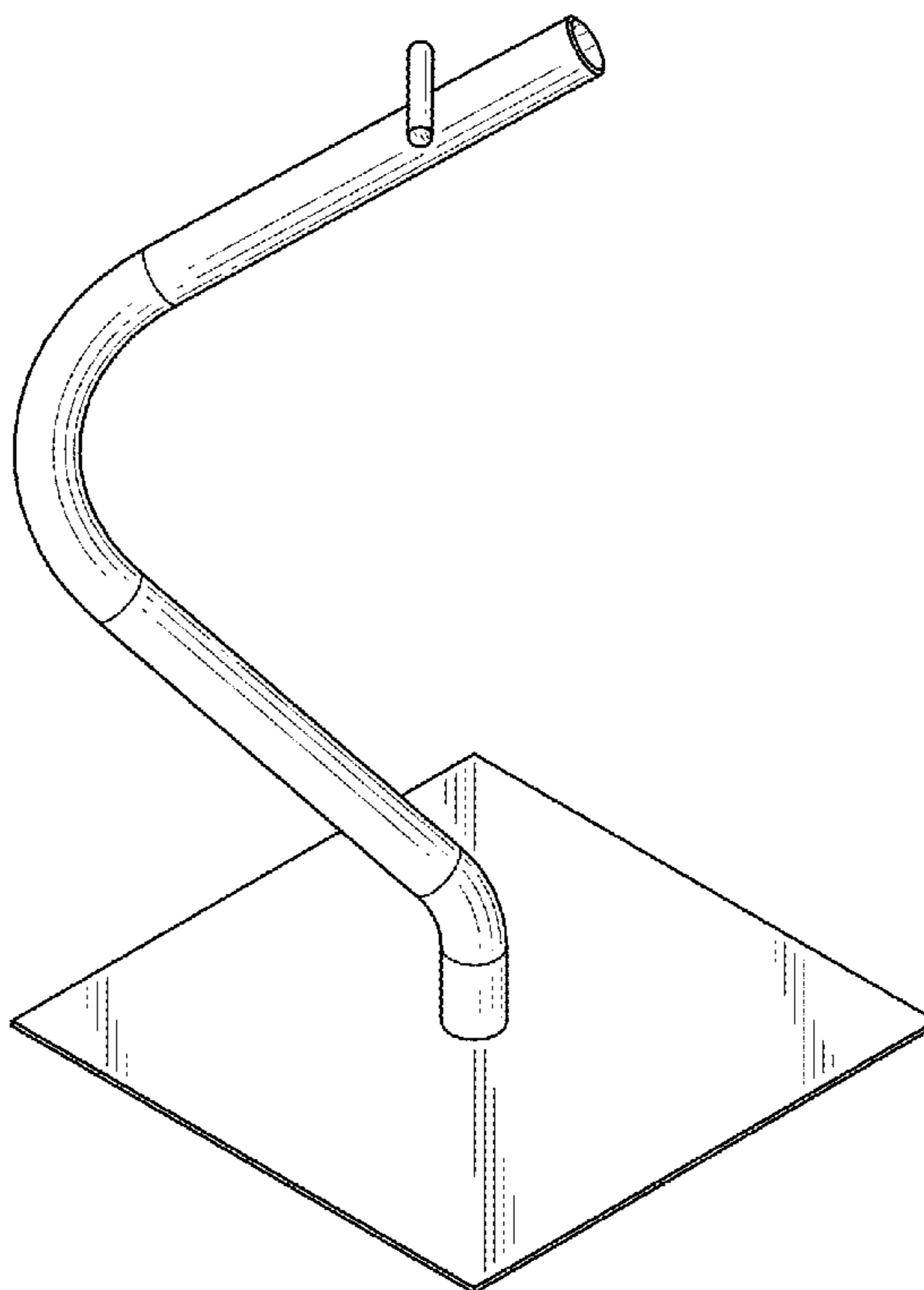
(57) **CLAIM**

The ornamental design for a skull display stand, as shown.

DESCRIPTION

FIG. 1 is a perspective view thereof,
FIG. 2 is a left side view thereof,
FIG. 3 is a back side view thereof,
FIG. 4 is a front side view thereof,
FIG. 5 is a top side view thereof; and,
FIG. 6 is a bottom side view thereof.
The right side is symmetrical to the left side.

1 Claim, 3 Drawing Sheets



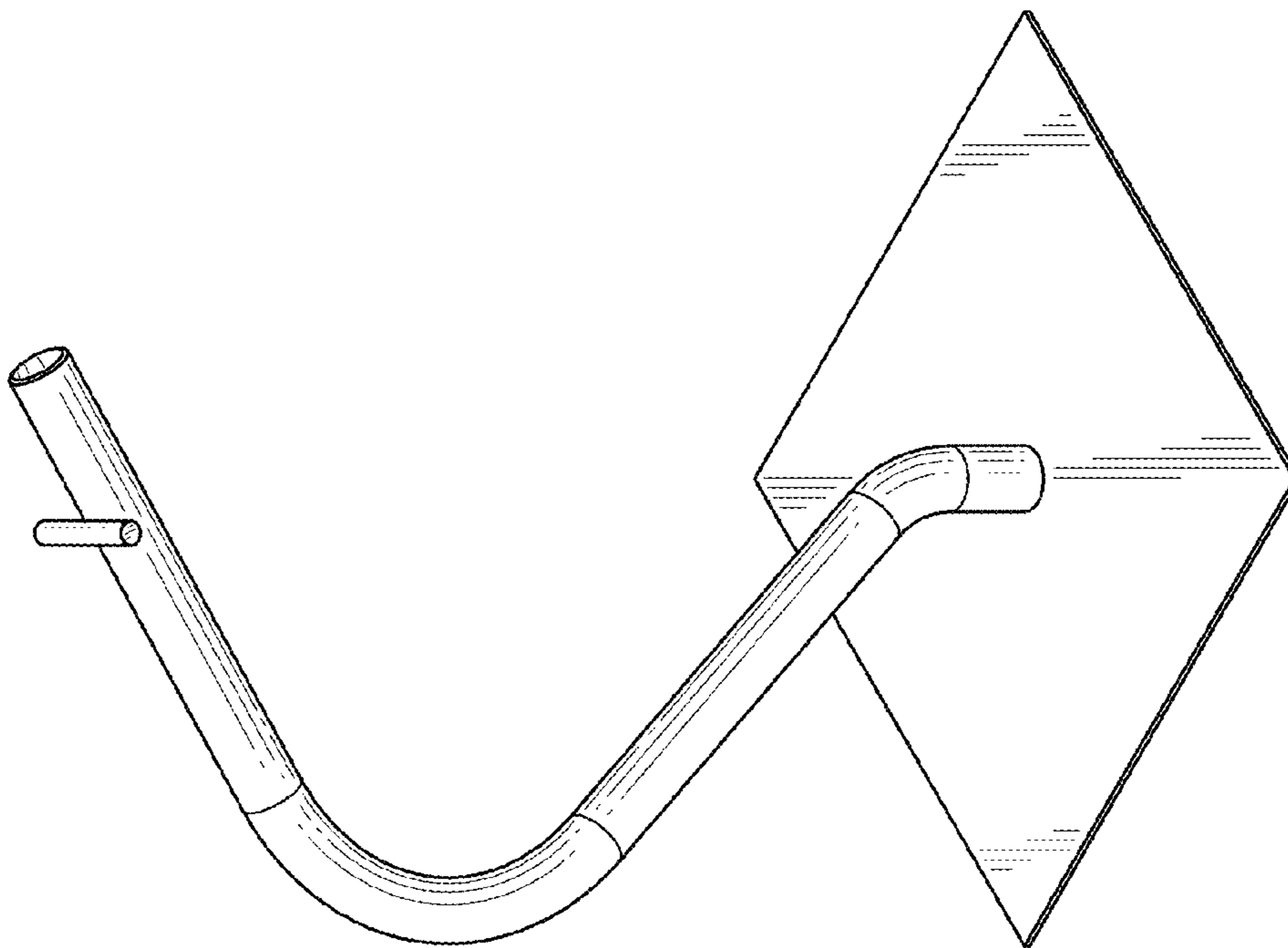


FIG. 1

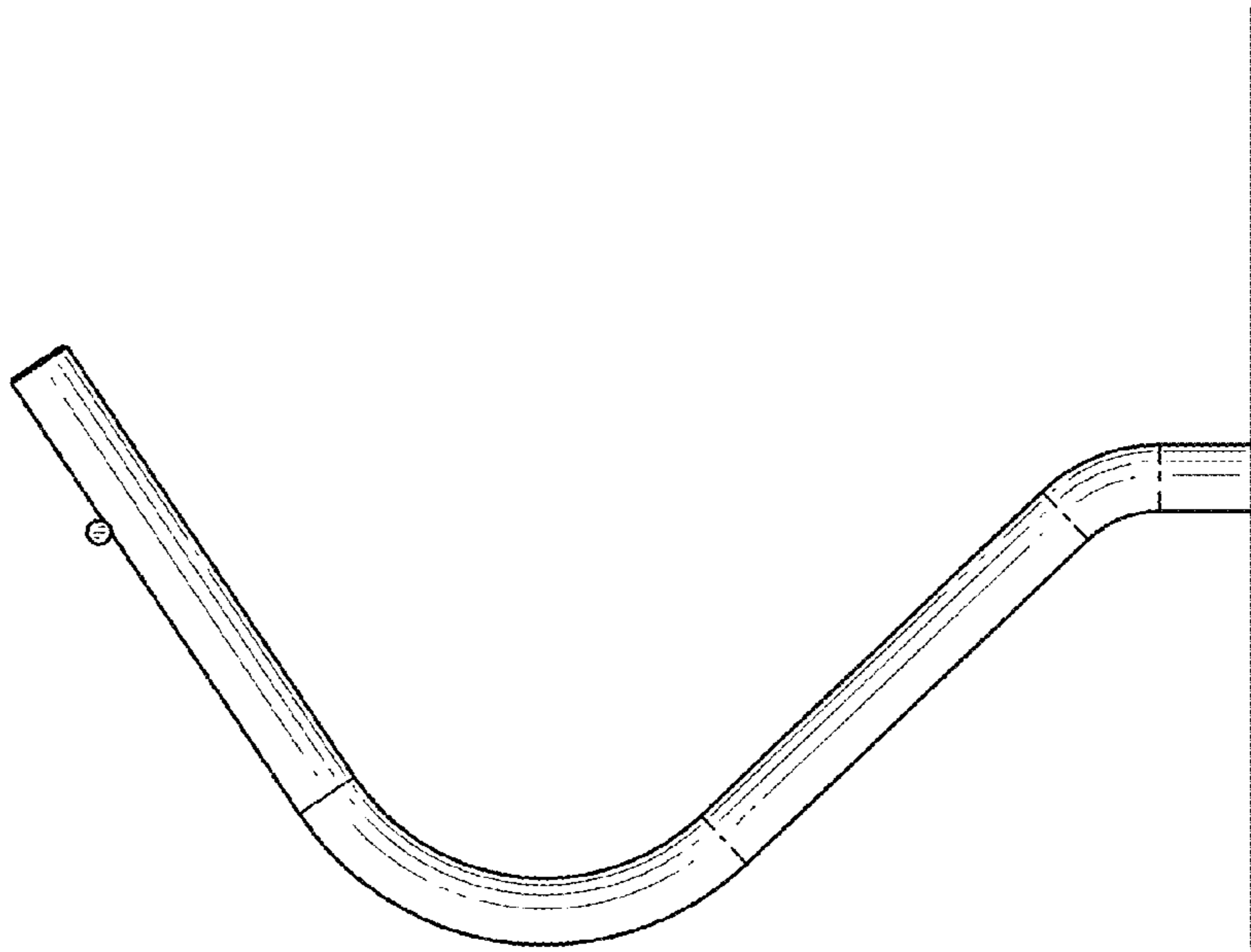


FIG. 2

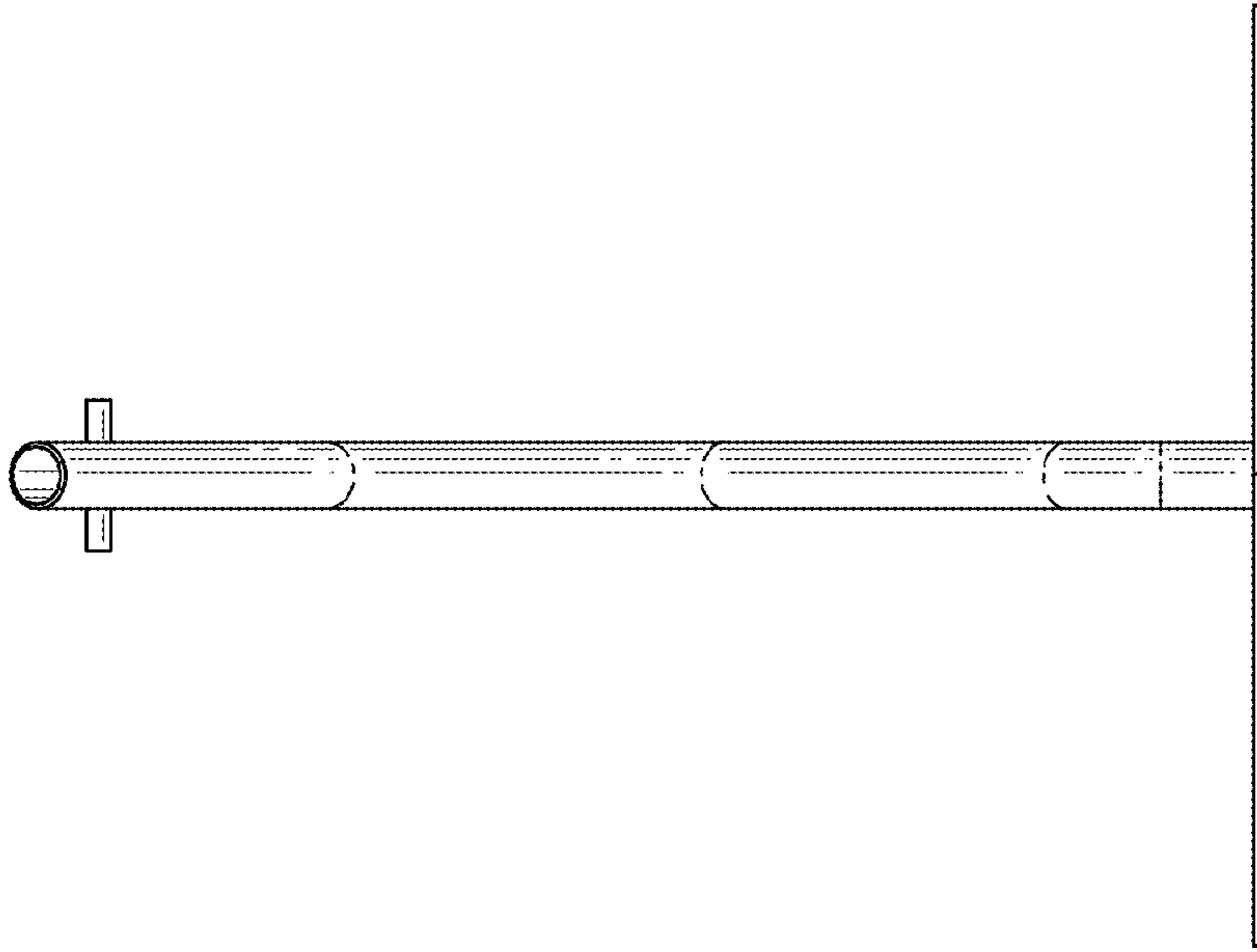


FIG. 4

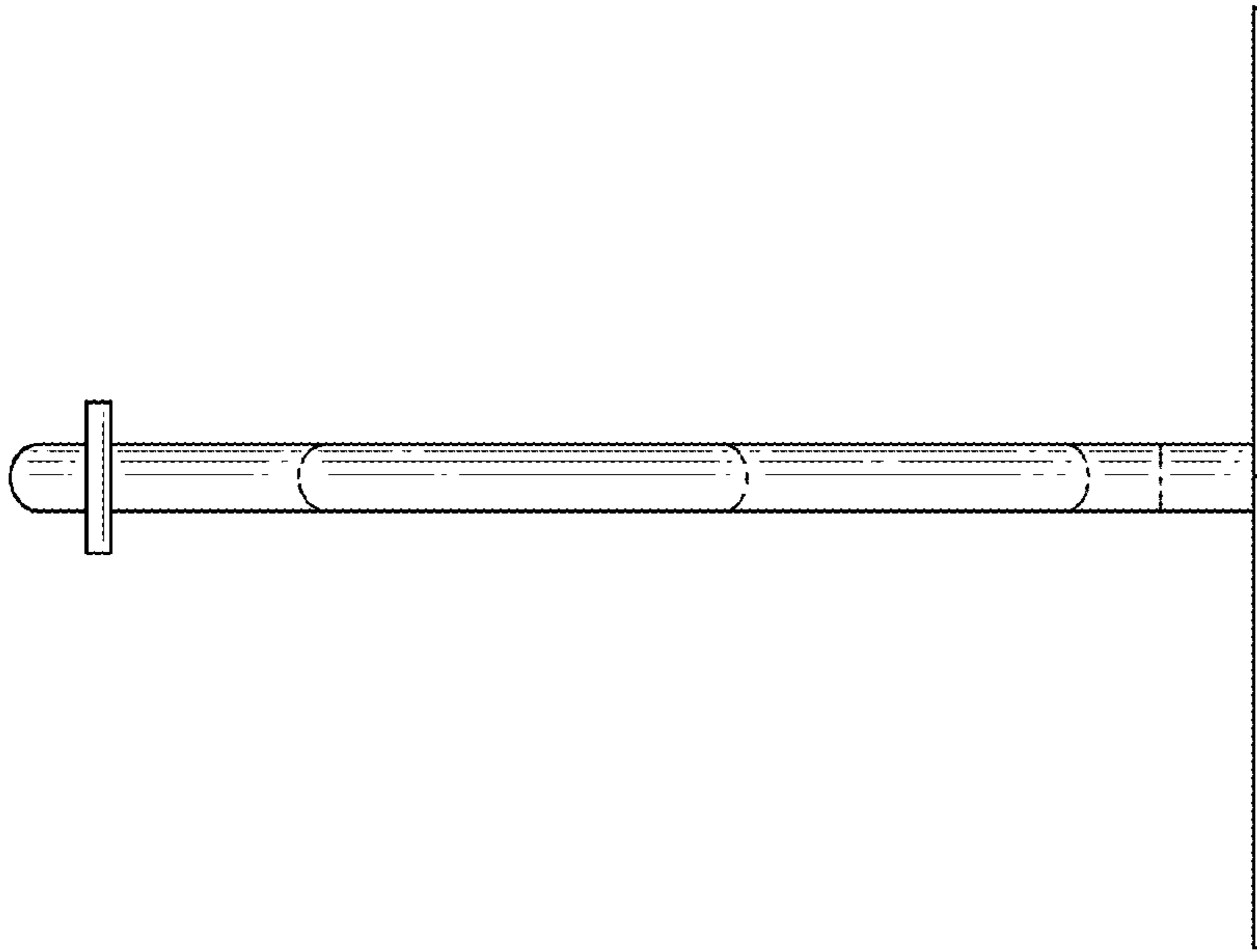


FIG. 3

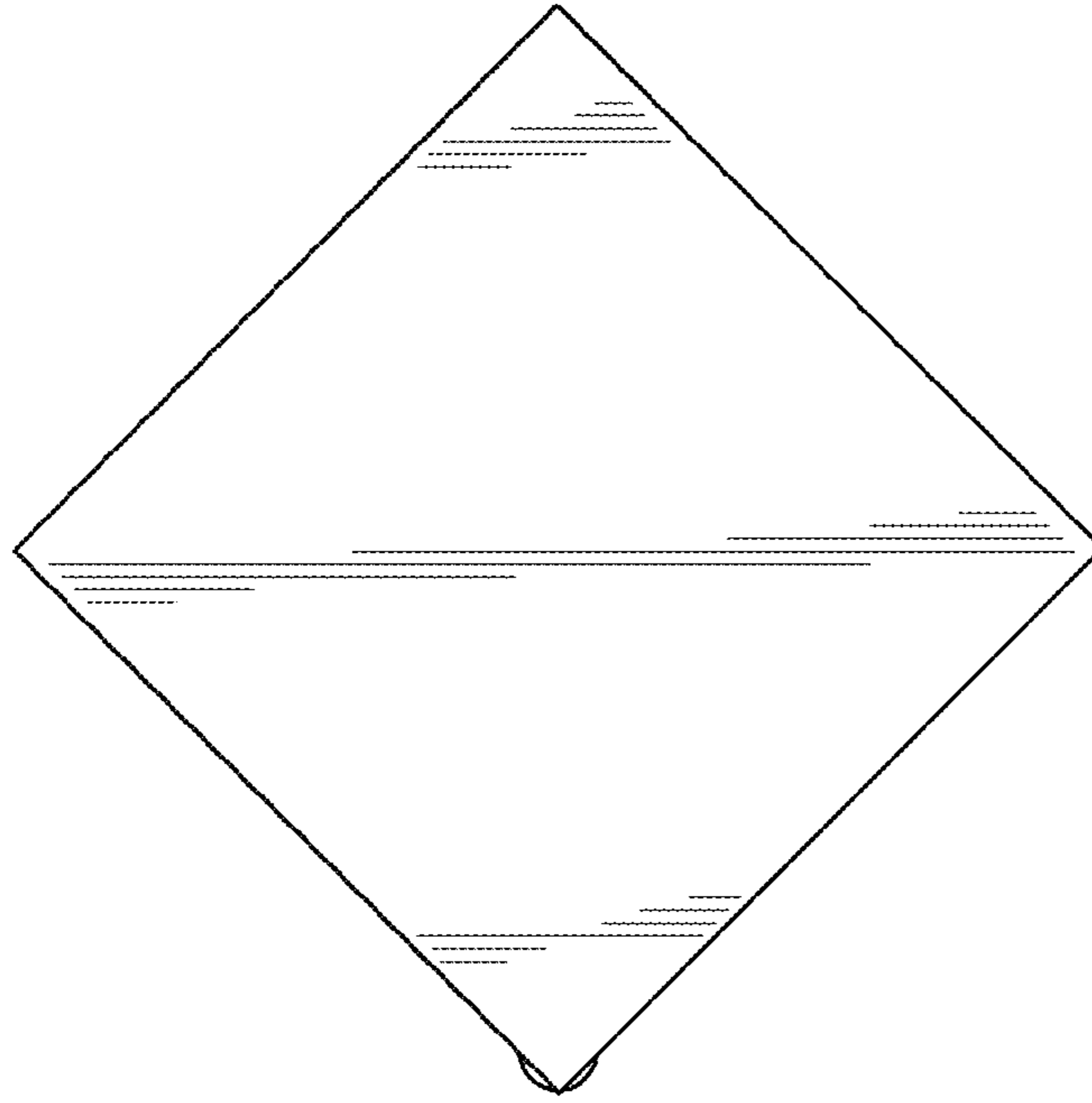


FIG. 6

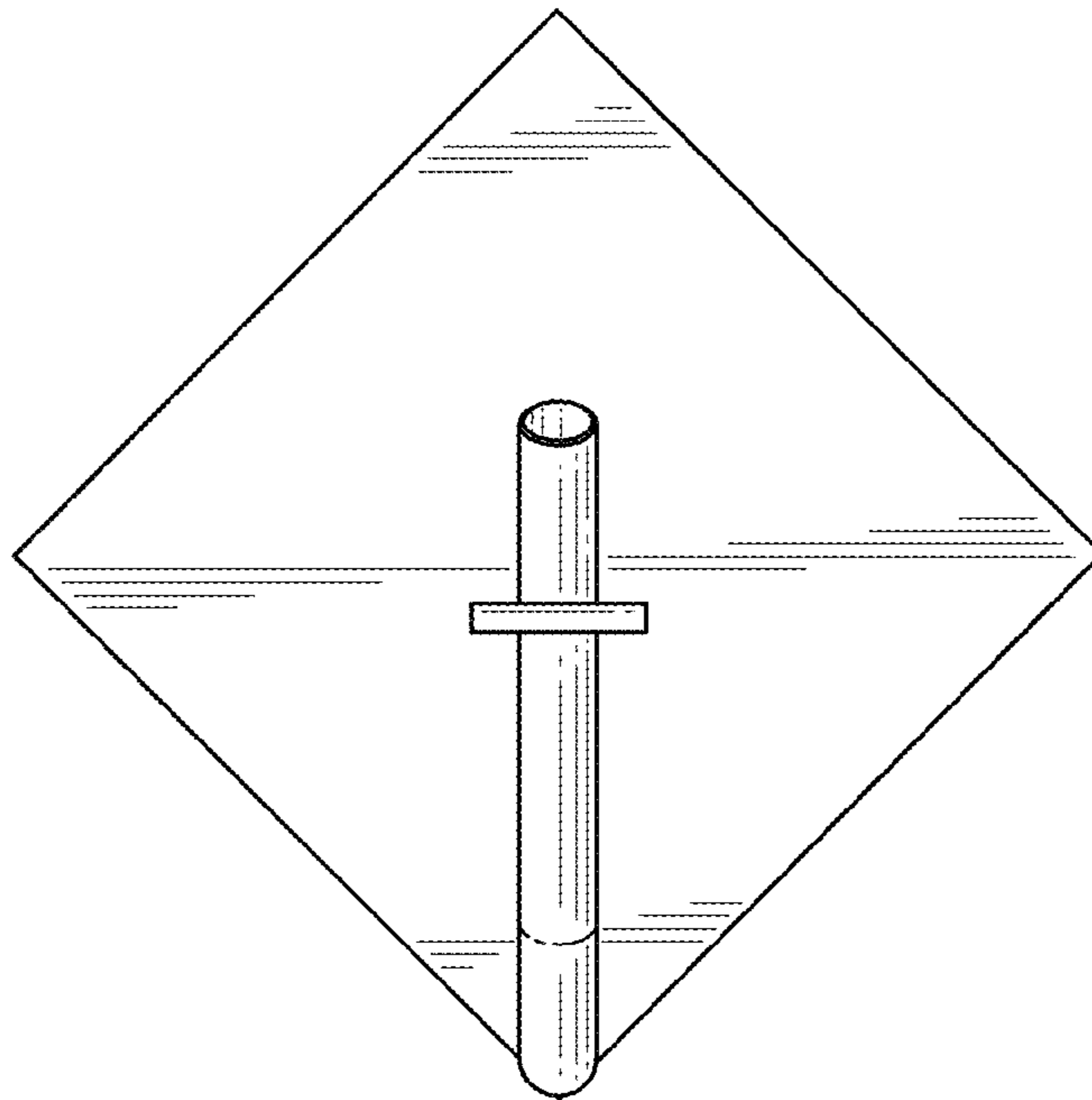


FIG. 5