

US00D691837S

(12) **United States Design Patent**
Hinkle

(10) **Patent No.:** **US D691,837 S**
(45) **Date of Patent:** **** Oct. 22, 2013**

(54) **DISPLAY SHELVING**

(71) Applicant: **Jackie Ellis Hinkle**, Mesa, AZ (US)

(72) Inventor: **Jackie Ellis Hinkle**, Mesa, AZ (US)

(**) Term: **14 Years**

(21) Appl. No.: **29/456,612**

(22) Filed: **May 31, 2013**

Related U.S. Application Data

(63) Continuation of application No. 13/841,415, filed on Mar. 15, 2013.

(51) **LOC (9) Cl.** **06-06**

(52) **U.S. Cl.**
USPC **D6/675.1**

(58) **Field of Classification Search**
USPC D6/396-397, 449, 477-479, 509-511,
D6/571, 672-673, 675-675.1; 108/11, 65,
108/137, 59, 91-92, 96; 211/42, 85, 87.01,
211/90.01, 107, 111, 186, 153
See application file for complete search history.

(56) **References Cited**

U.S. PATENT DOCUMENTS

1,937,935	A	12/1933	Zimmerman	
2,999,599	A	9/1961	Jentzen	
D245,744	S *	9/1977	Brooks D6/479
4,101,105	A	7/1978	DiCenzo	
4,142,638	A	3/1979	Vargo	
D275,825	S	10/1984	Kates	
5,036,778	A	8/1991	Briosi	
5,553,549	A	9/1996	Nilsson	
5,758,585	A	6/1998	Latchinian	
D429,435	S	8/2000	Walters-Dowding et al.	

6,152,553	A	11/2000	Wunderlich	
6,302,036	B1	10/2001	Carson et al.	
D450,488	S *	11/2001	Stone et al. D6/479
D477,957	S	8/2003	Mikich et al.	
6,619,814	B1	9/2003	Hamada et al.	
6,688,240	B2	2/2004	Ondrasik	
D522,772	S *	6/2006	O'Reilly D6/436
D525,455	S *	7/2006	O'Reilly D6/436
D528,327	S *	9/2006	O'Reilly D6/479
D541,557	S *	5/2007	Weatherly D6/474
D607,667	S *	1/2010	Cayouette D6/449
D622,521	S *	8/2010	Urquiola D6/478
D651,031	S	12/2011	Kozak et al.	
D658,405	S *	5/2012	O'Brien D6/479
D658,406	S *	5/2012	O'Brien D6/479
D680,349	S *	4/2013	Johnson et al. D6/686
2002/0178979	A1 *	12/2002	Tidemann 108/186

* cited by examiner

Primary Examiner — Kelley Donnelly

(74) *Attorney, Agent, or Firm* — Mutua Mattu

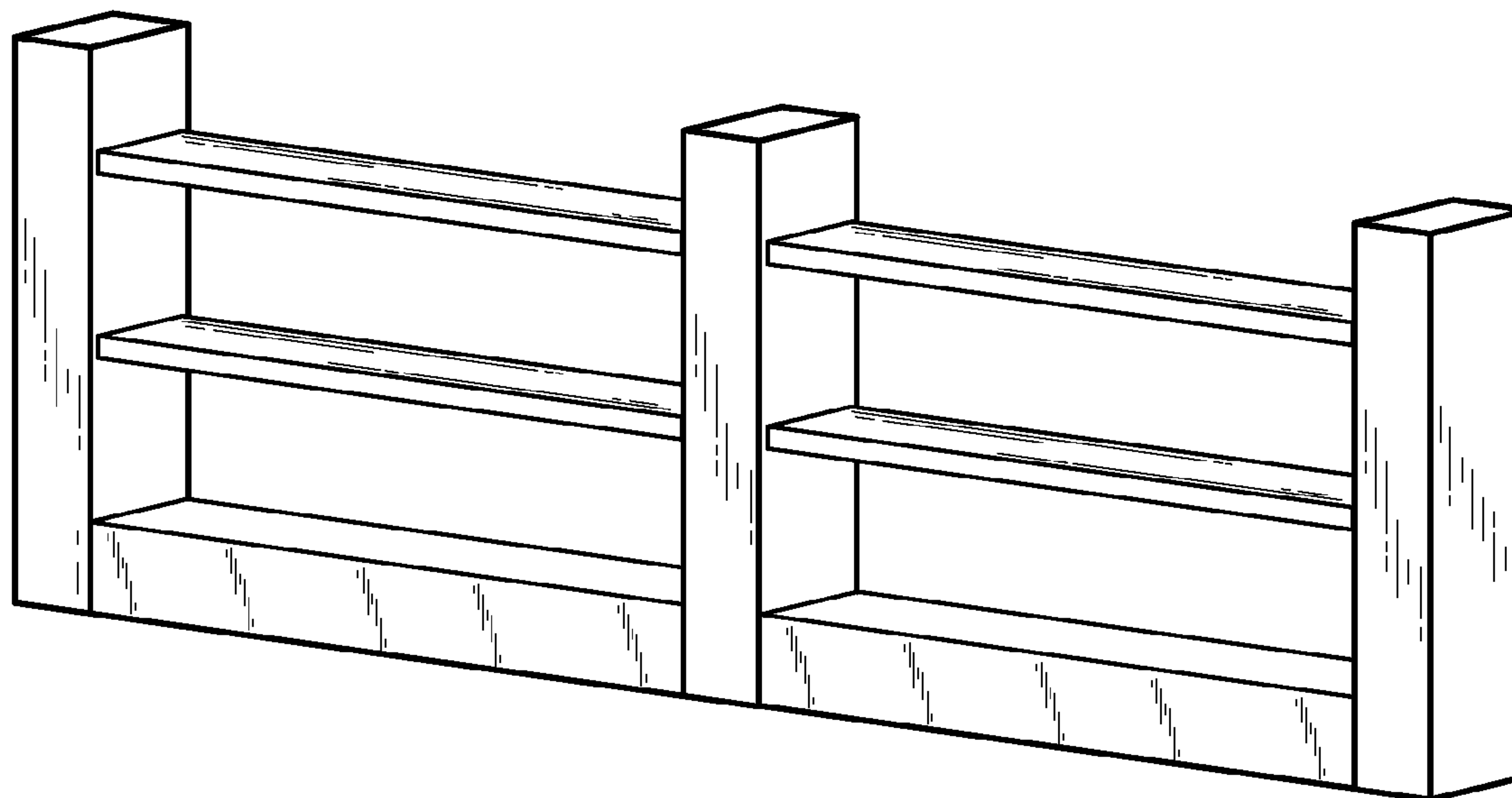
(57) **CLAIM**

The ornamental design for a display shelving, as shown and described.

DESCRIPTION

FIG. 1 is an isometric view showing the top, front, and side of the display shelving of my new design;
FIG. 2 is an isometric view showing the top, rear, and side of the display shelving;
FIG. 3 is a front elevation view of the display shelving;
FIG. 4 is a right-side elevation view of the display shelving;
FIG. 5 is a left-side elevation view of the display shelving;
FIG. 6 is a rear elevation view of the display shelving;
FIG. 7 is a top plan view of the display shelving; and,
FIG. 8 is a bottom plan view of the display shelving.

1 Claim, 2 Drawing Sheets



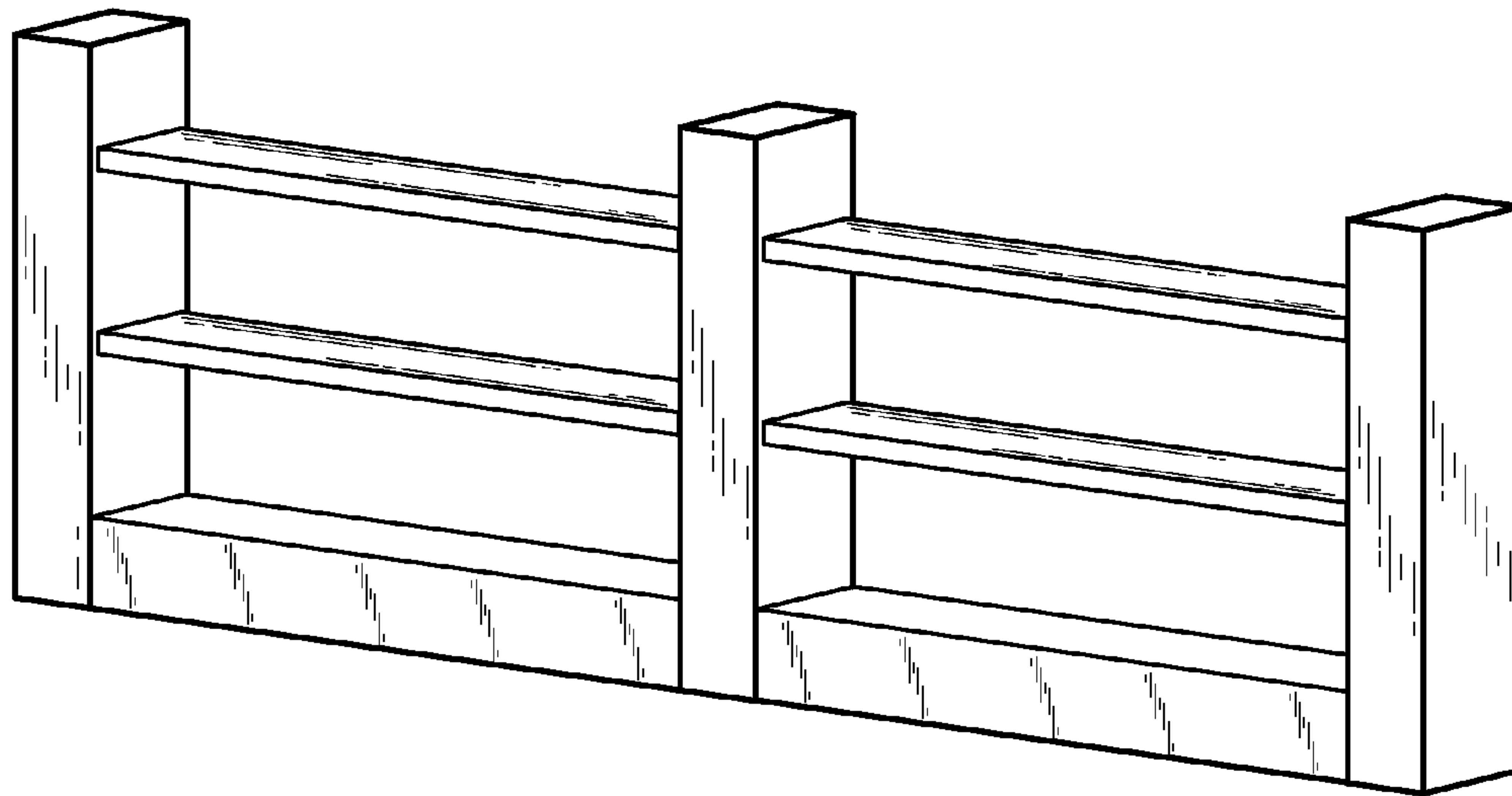


Fig. 1

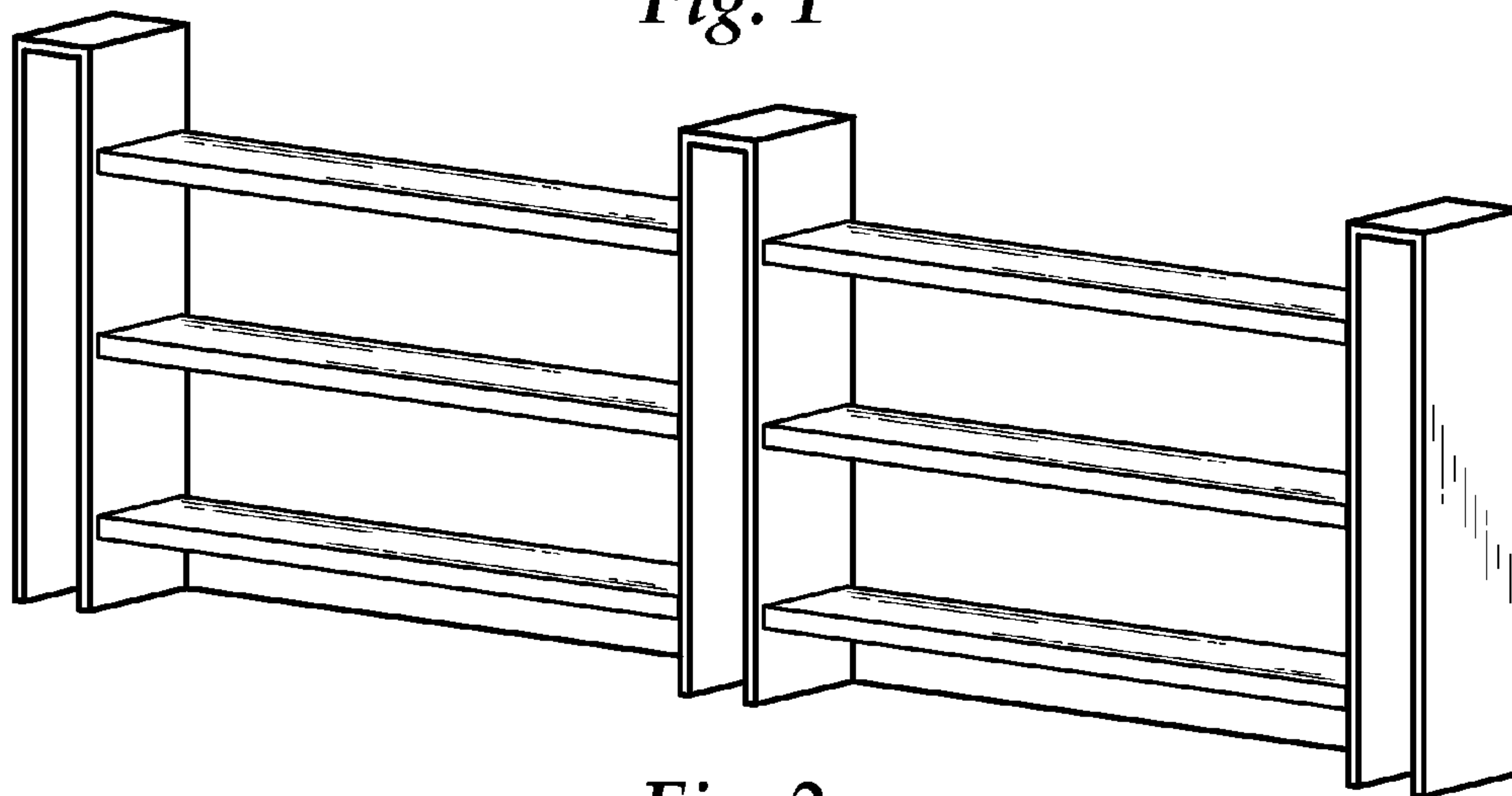


Fig. 2

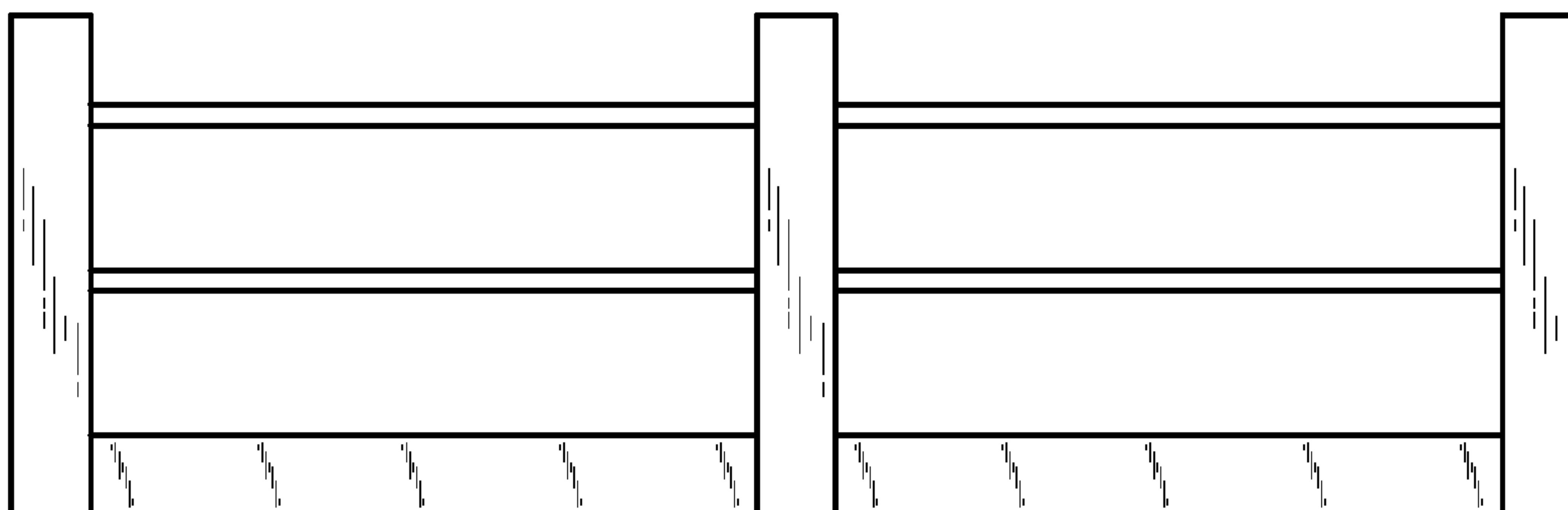


Fig. 3

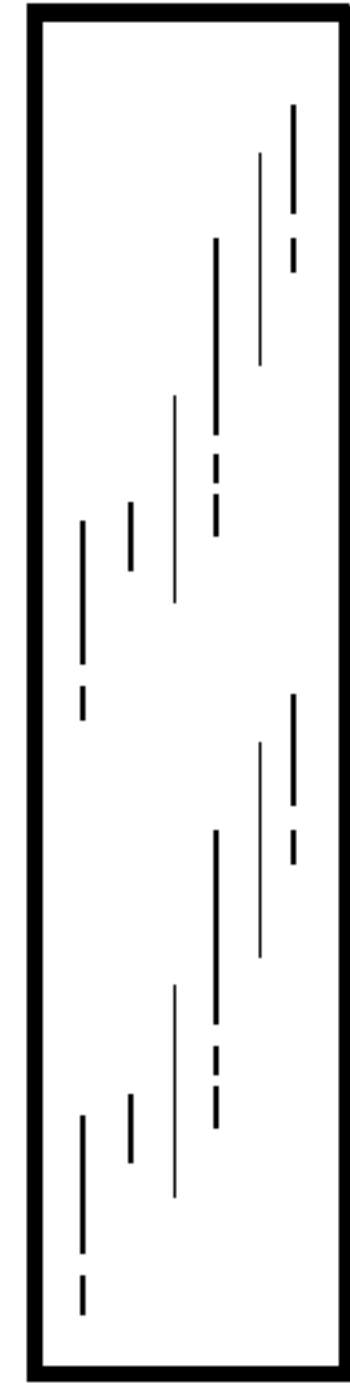


Fig. 4

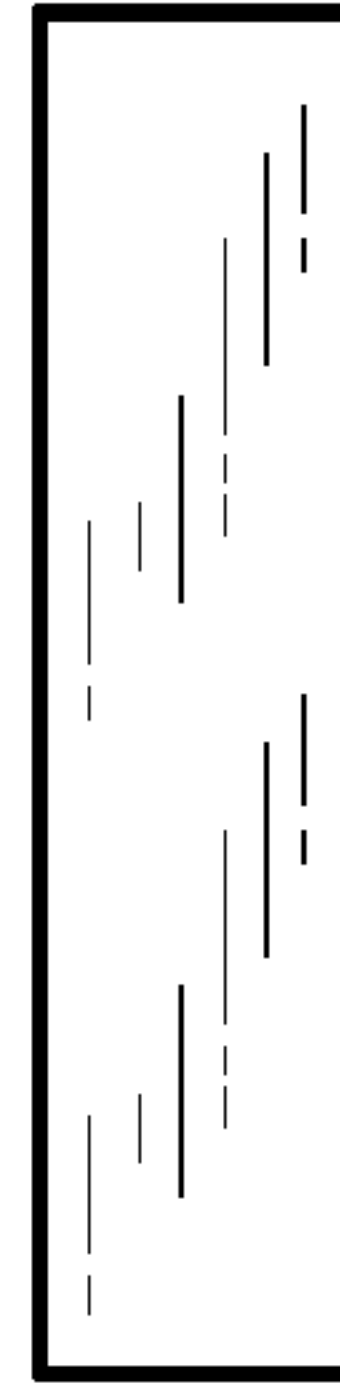


Fig. 5

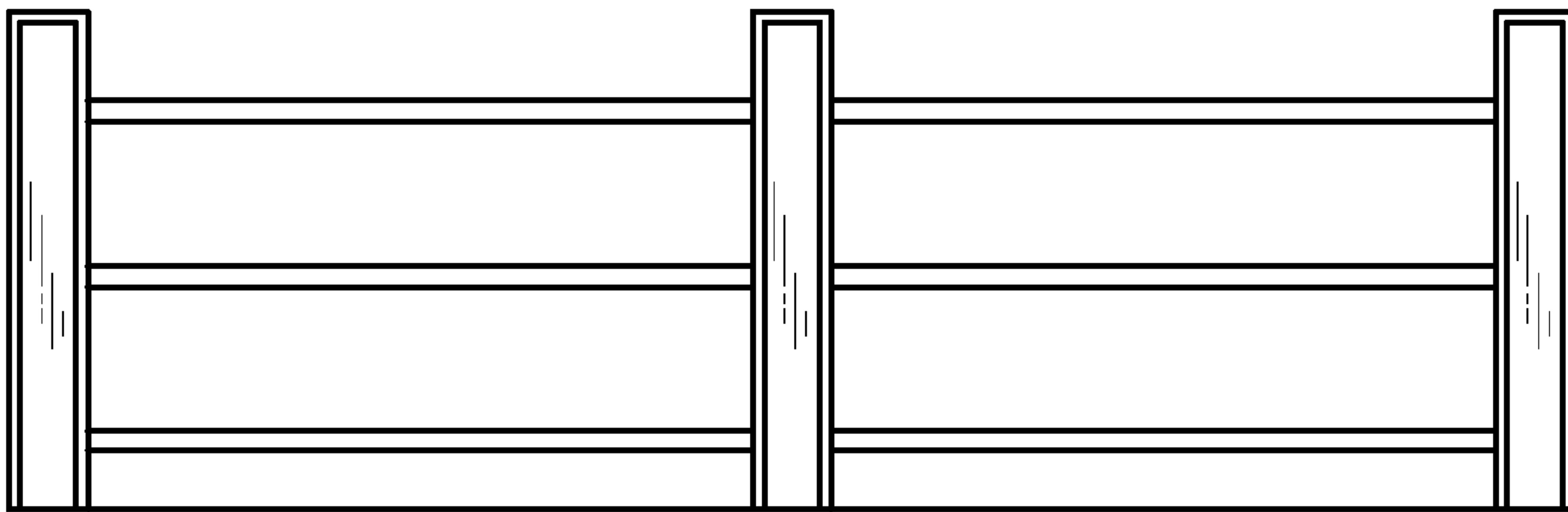


Fig. 6

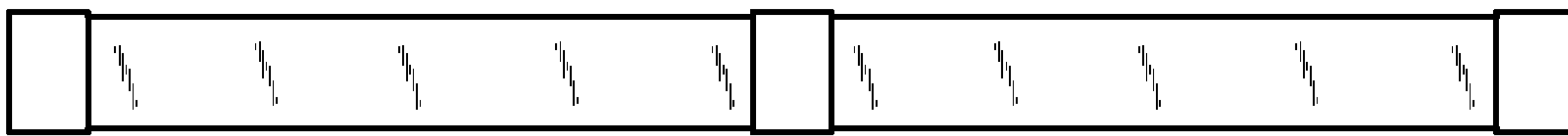


Fig. 7

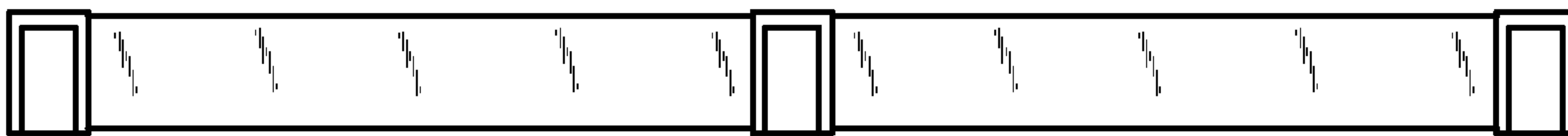


Fig. 8