

US00D691833S

(12) **United States Design Patent**
Wagner

(10) **Patent No.:** **US D691,833 S**
(45) **Date of Patent:** **** Oct. 22, 2013**

(54) **AIR PERMEABLE AIR CONDITIONER COVER**

(75) Inventor: **John J. Wagner**, Lakewood, CO (US)

(73) Assignee: **Two J Enterprises**, Lakewood, CO (US)

(**) Term: **14 Years**

(21) Appl. No.: **29/425,100**

(22) Filed: **Jun. 20, 2012**

(51) **LOC (9) Cl.** **06-13**

(52) **U.S. Cl.**
USPC **D6/610**

(58) **Field of Classification Search**
USPC D6/610, 611, 596, 601, 602, 603, 615,
D6/617, 621; D7/332, 334-337;
D12/401-405; 135/87, 88.01, 95;
150/165-167, 158, 154; 280/770;
296/136.01, 136.1, 136.11

See application file for complete search history.

(56) **References Cited**

U.S. PATENT DOCUMENTS

2,705,990	A	4/1955	Miller	
5,307,849	A	5/1994	Nelson	
5,809,800	A	9/1998	Deal	
6,708,514	B1	3/2004	Miller	
D532,561	S *	11/2006	La Luzerne	D30/119
D533,972	S *	12/2006	La Luzerne	D30/108
D539,587	S *	4/2007	Bonal	D6/610
7,387,654	B1	6/2008	Byers	
7,547,341	B2	6/2009	Sandberg	
7,900,654	B2	3/2011	Moreau et al.	

* cited by examiner

Primary Examiner — Katrina A Betton

(74) *Attorney, Agent, or Firm* — The Reilly Intellectual Property Law Firm, P.C.

(57) **CLAIM**

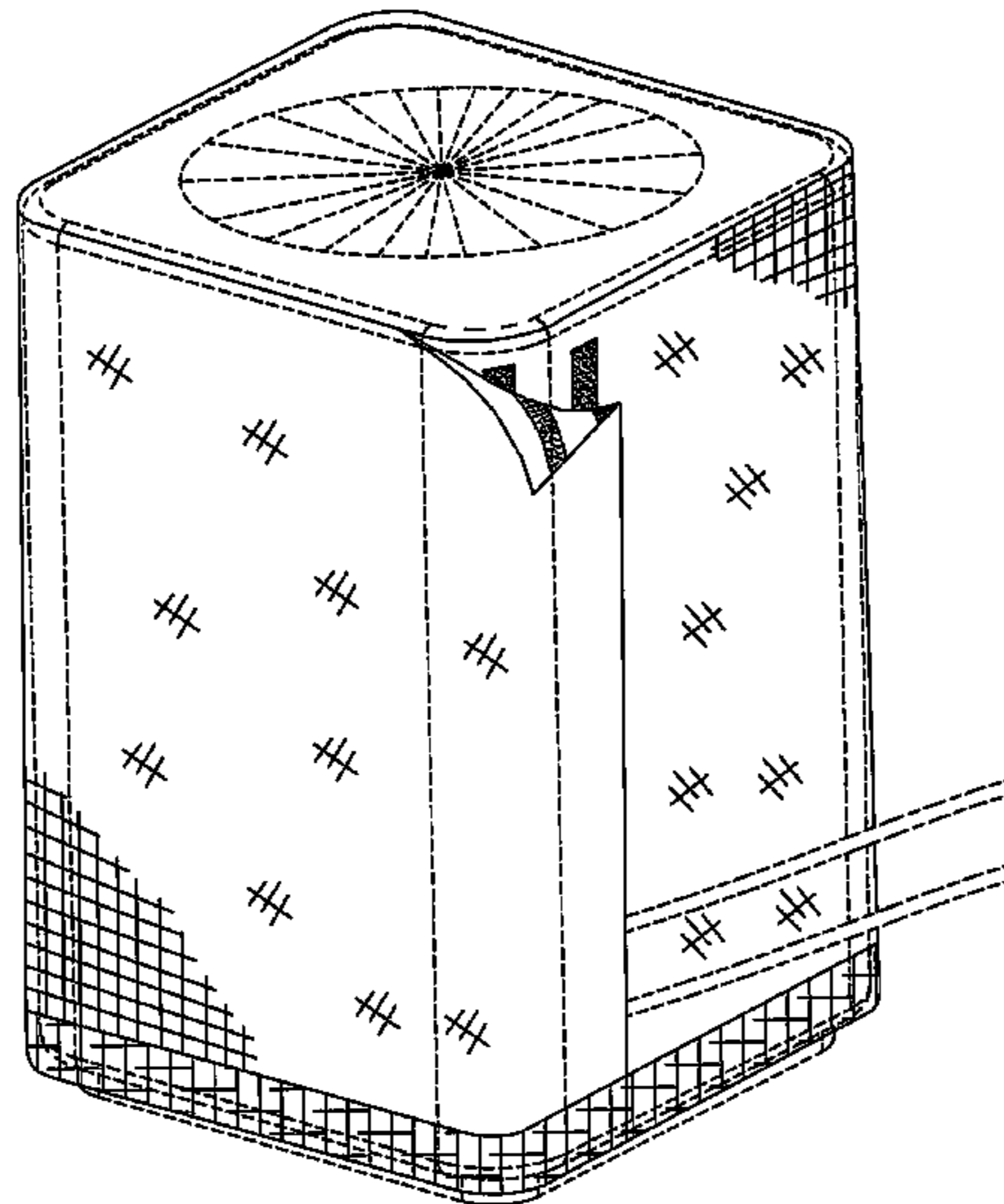
The ornamental designs for an air permeable air conditioner cover, as shown and described.

DESCRIPTION

FIG. 1 is a perspective front and side view showing my new design;
 FIG. 2 is a front view of FIG. 1;
 FIG. 3 is a top view of FIG. 1;
 FIG. 4 is a rear view showing of FIG. 1;
 FIG. 5 is a side view of FIG. 1;
 FIG. 6 is a perspective front and side view showing an alternate form of my new design;
 FIG. 7 is a front view of FIG. 6;
 FIG. 8 is a top view of FIG. 6;
 FIG. 9 is a rear view showing of FIG. 6;
 FIG. 10 is a side view of FIG. 6;
 FIG. 11 is a perspective front and side view showing a third form of my new design;
 FIG. 12 is a front view of FIG. 11;
 FIG. 13 is a top view of FIG. 11;
 FIG. 14 is a rear view showing of FIG. 11;
 FIG. 15 is a side view of FIG. 11;
 FIG. 16 is a perspective front and side view showing a fourth form of my new design;
 FIG. 17 is a front view of FIG. 16;
 FIG. 18 is a top view of FIG. 16;
 FIG. 19 is a rear view of FIG. 16; and,
 FIG. 20 is a side view of FIG. 16.

The broken lines are included for the purpose of illustrating environmental structure and form no part of the claimed designs used in FIGS. 1-20. The elements of the claim are shown separated for ease and clarity of illustration. The mesh representation included in FIGS. 1,2,4,6,7,9,11,12,14,16,17 and 19 continues over the entire surface of the figures shown.

1 Claim, 8 Drawing Sheets



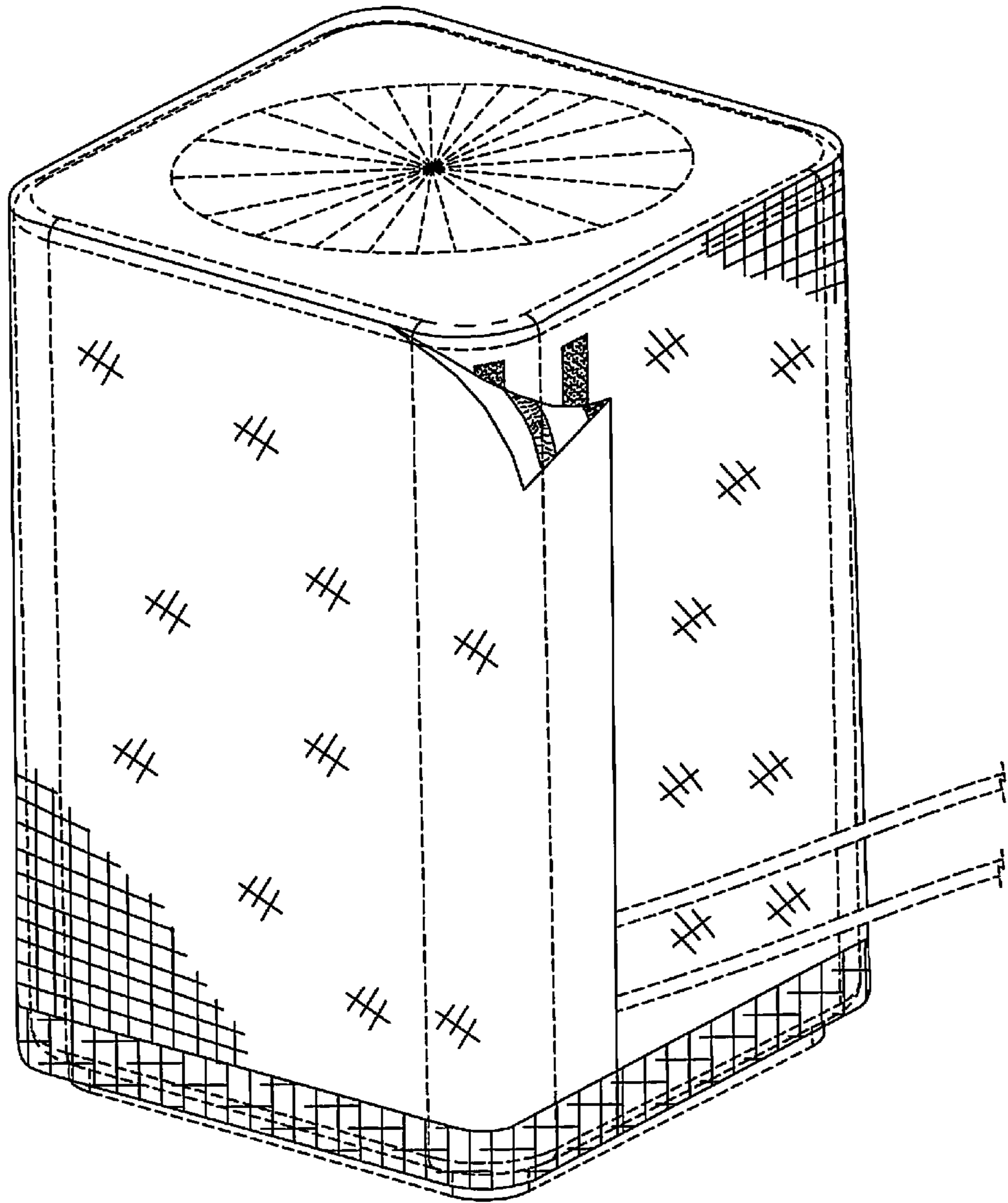


FIGURE 1

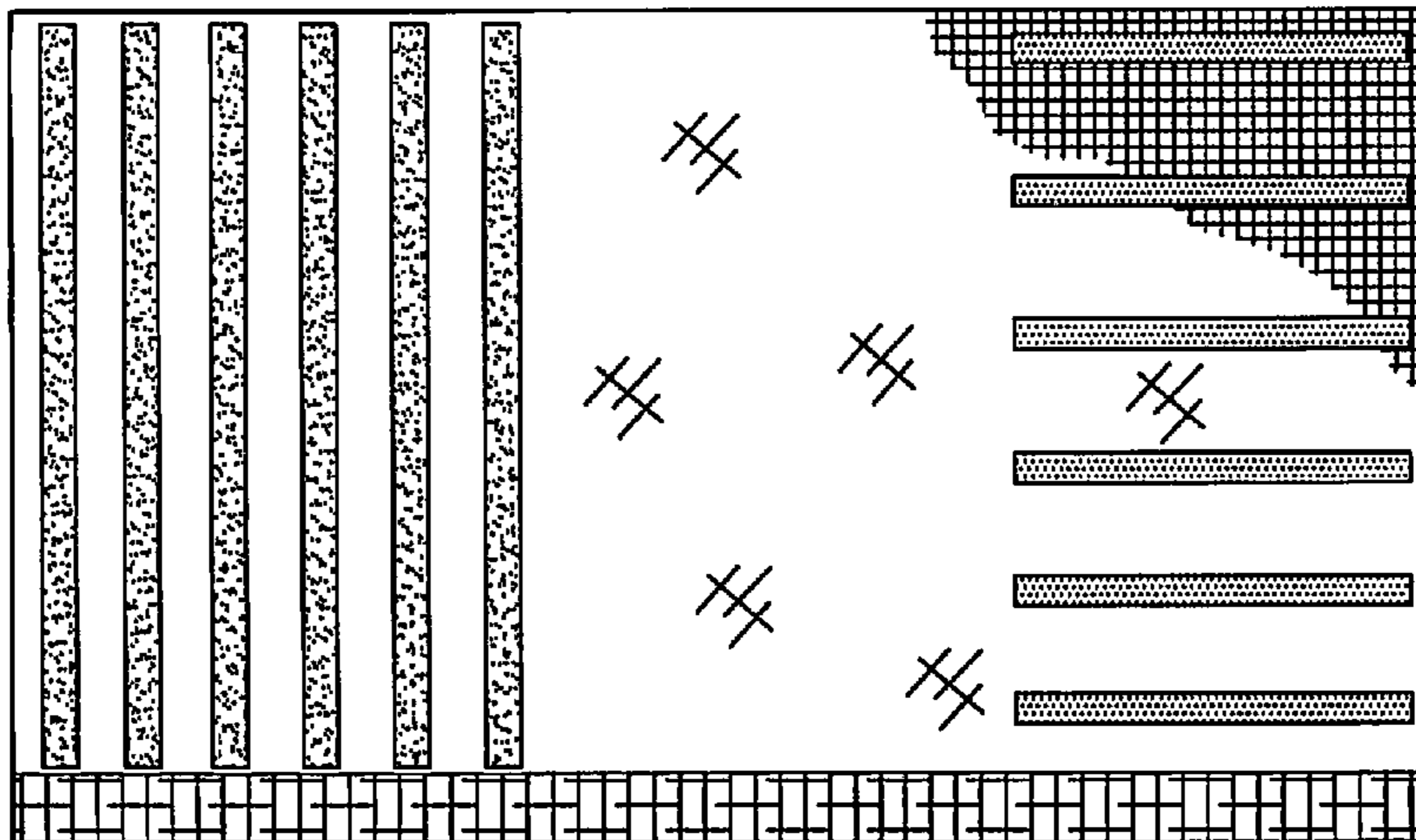


FIGURE 4



FIGURE 5



FIGURE 3

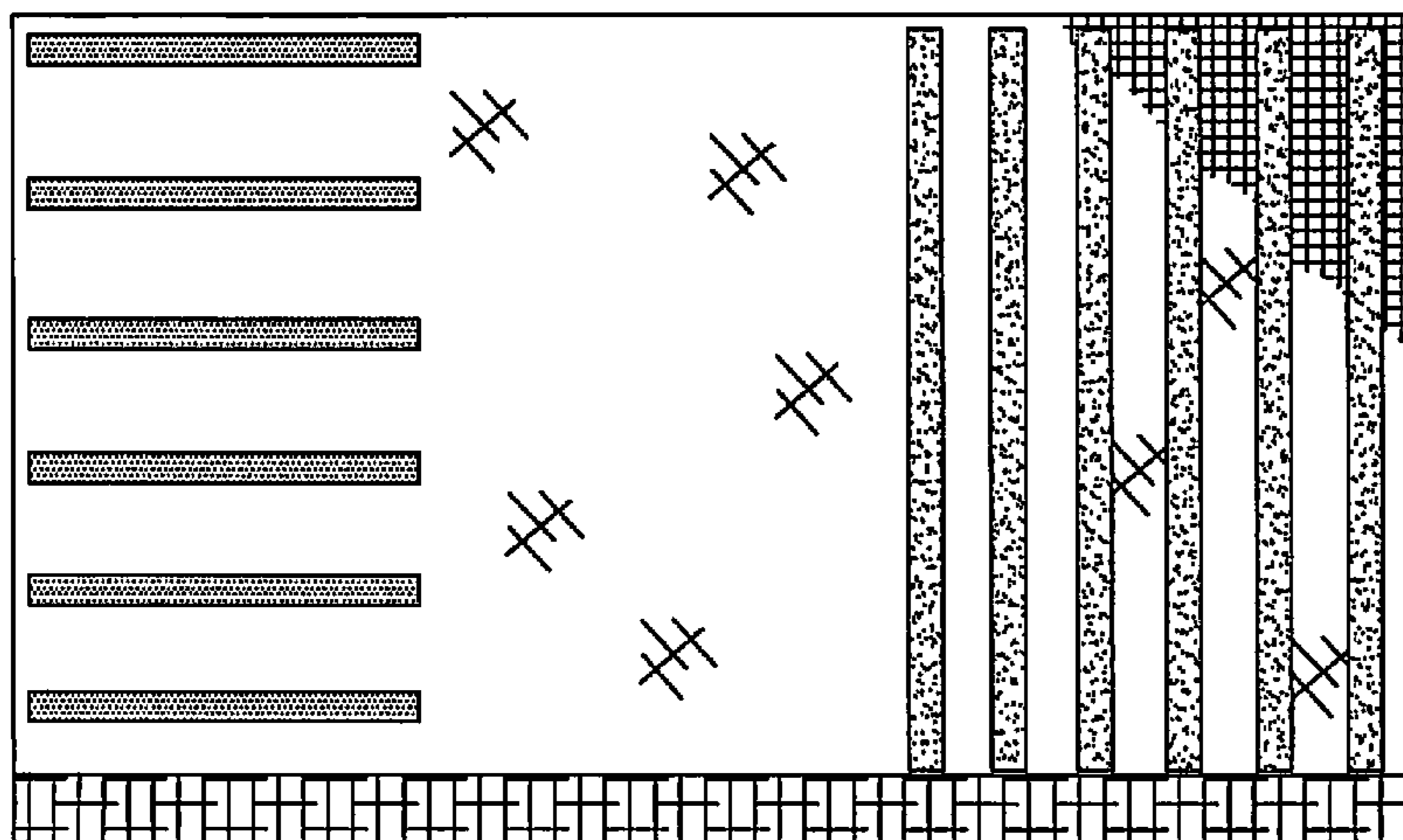


FIGURE 2

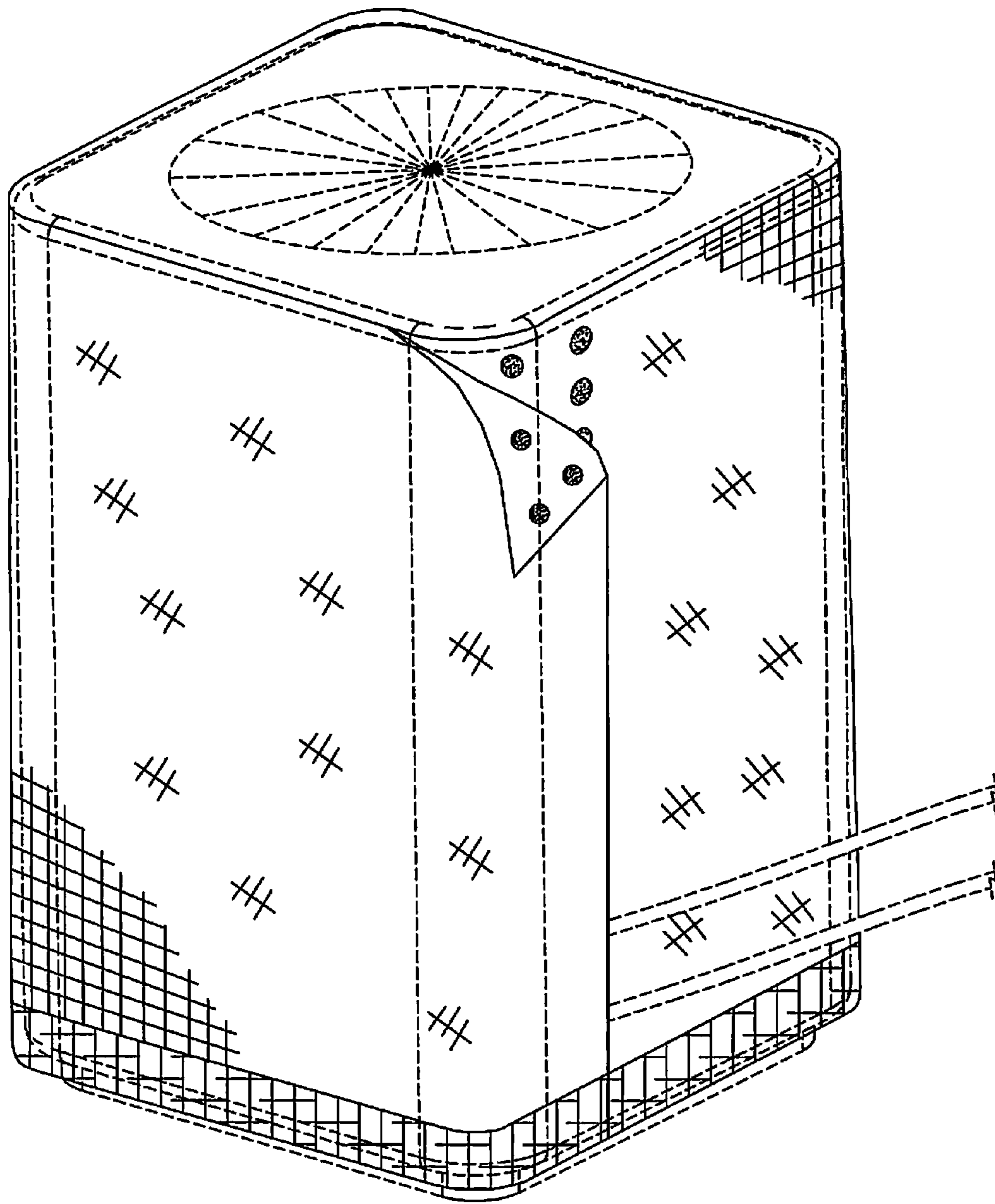


FIGURE 6

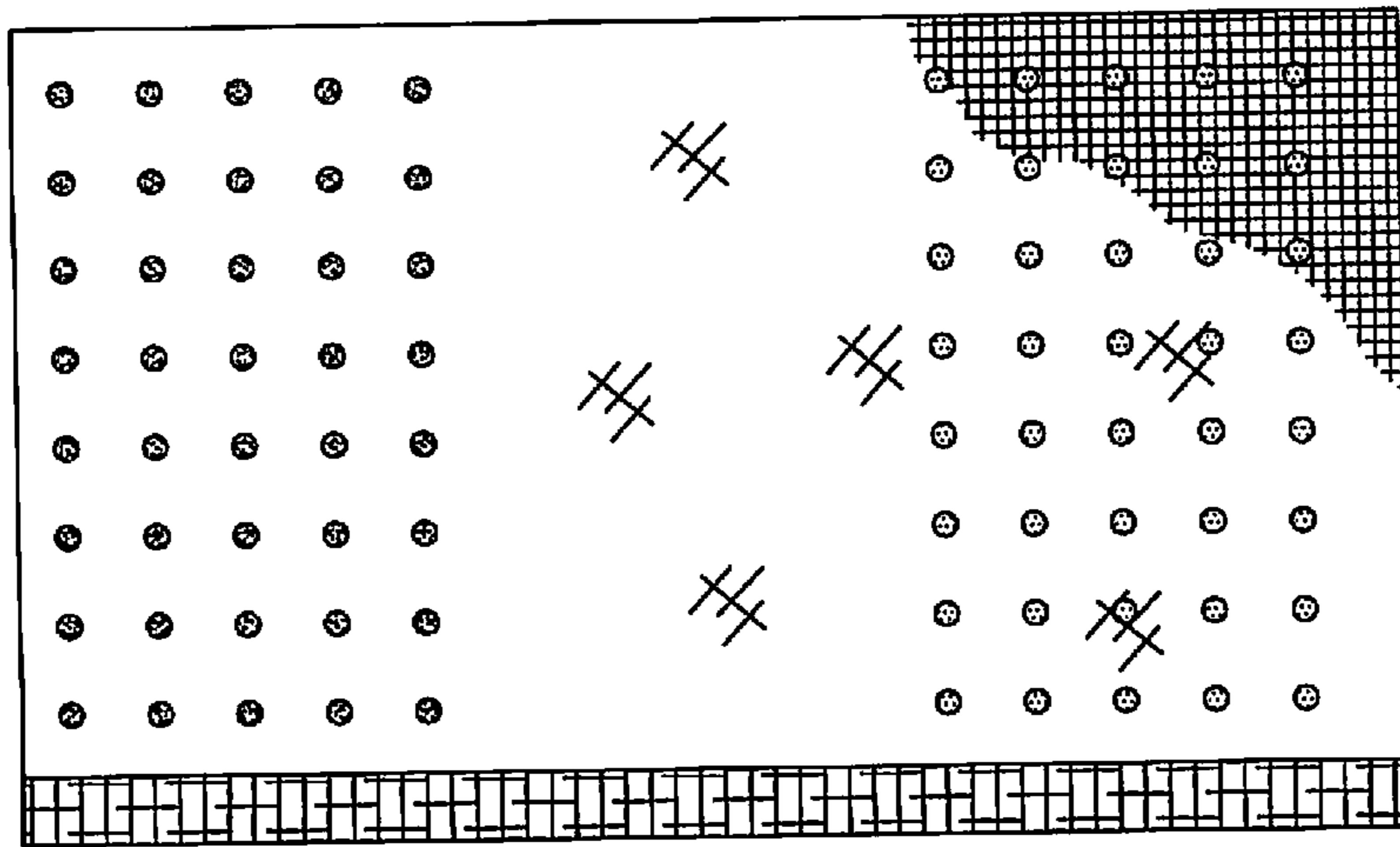


FIGURE 9



FIGURE 10



FIGURE 8

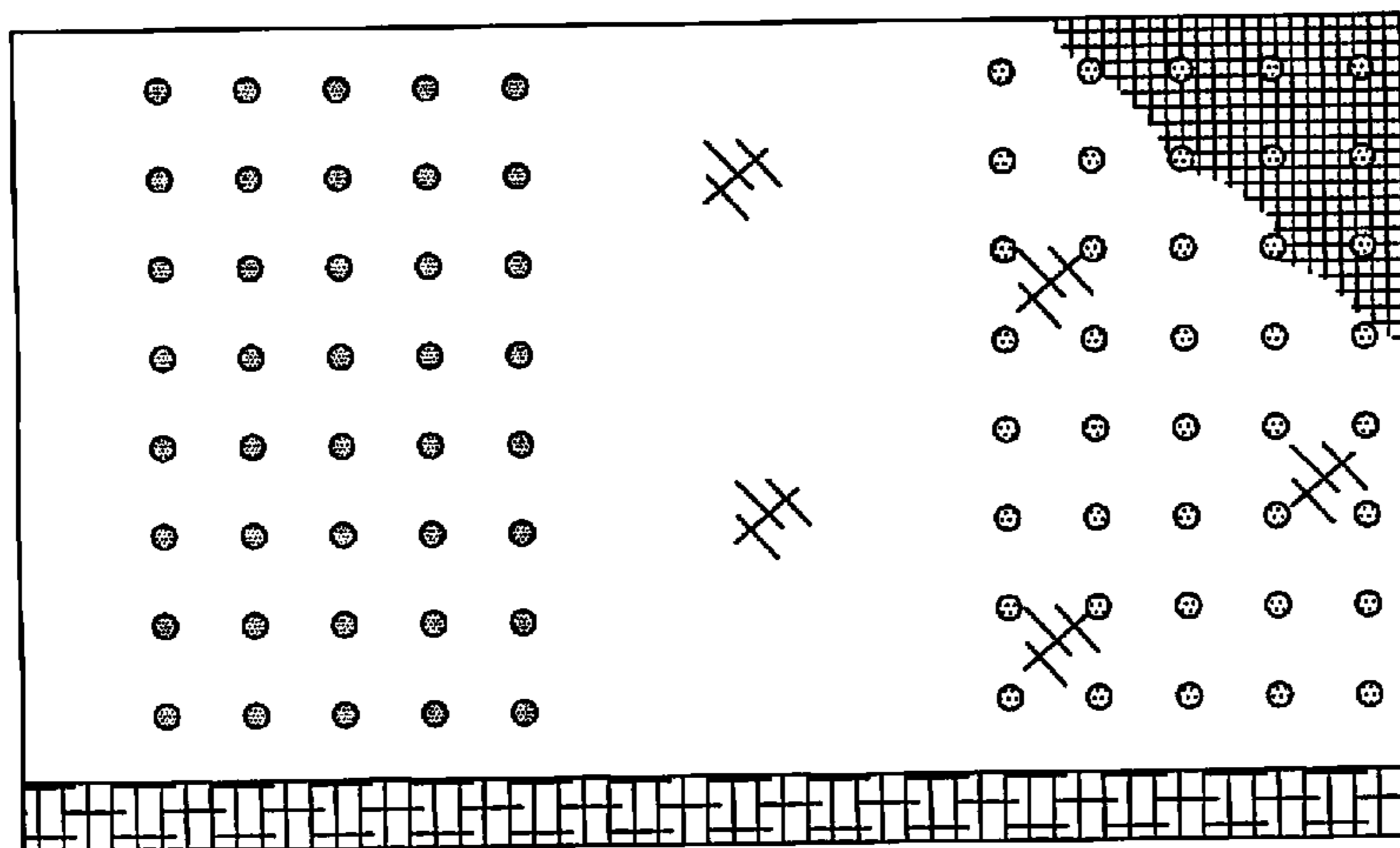


FIGURE 7

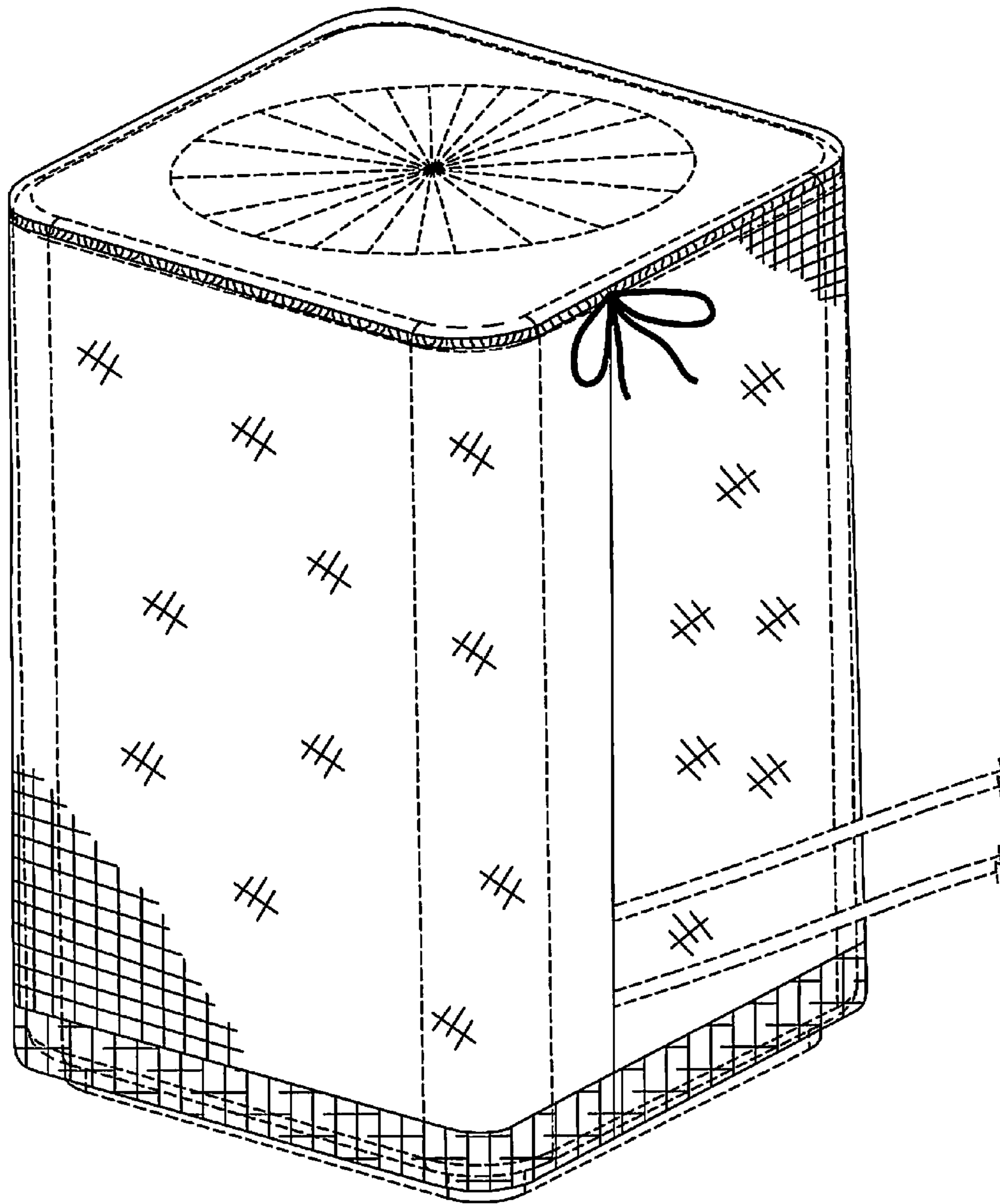


FIGURE 11

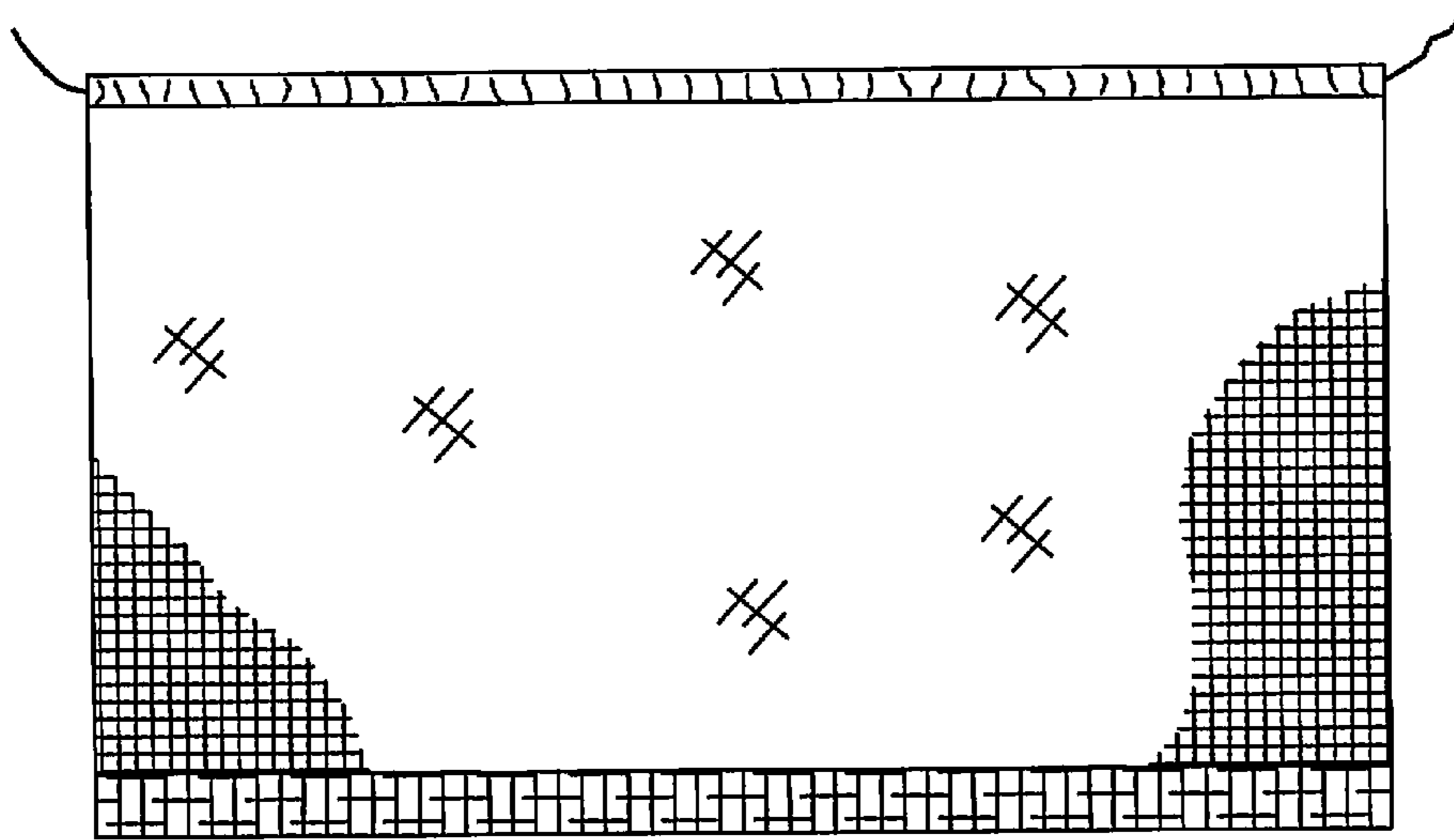


FIGURE 14

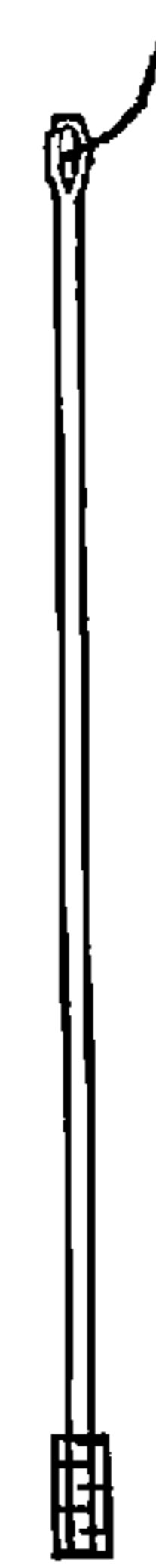


FIGURE 15

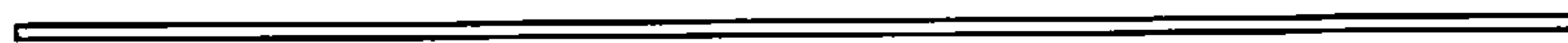


FIGURE 13

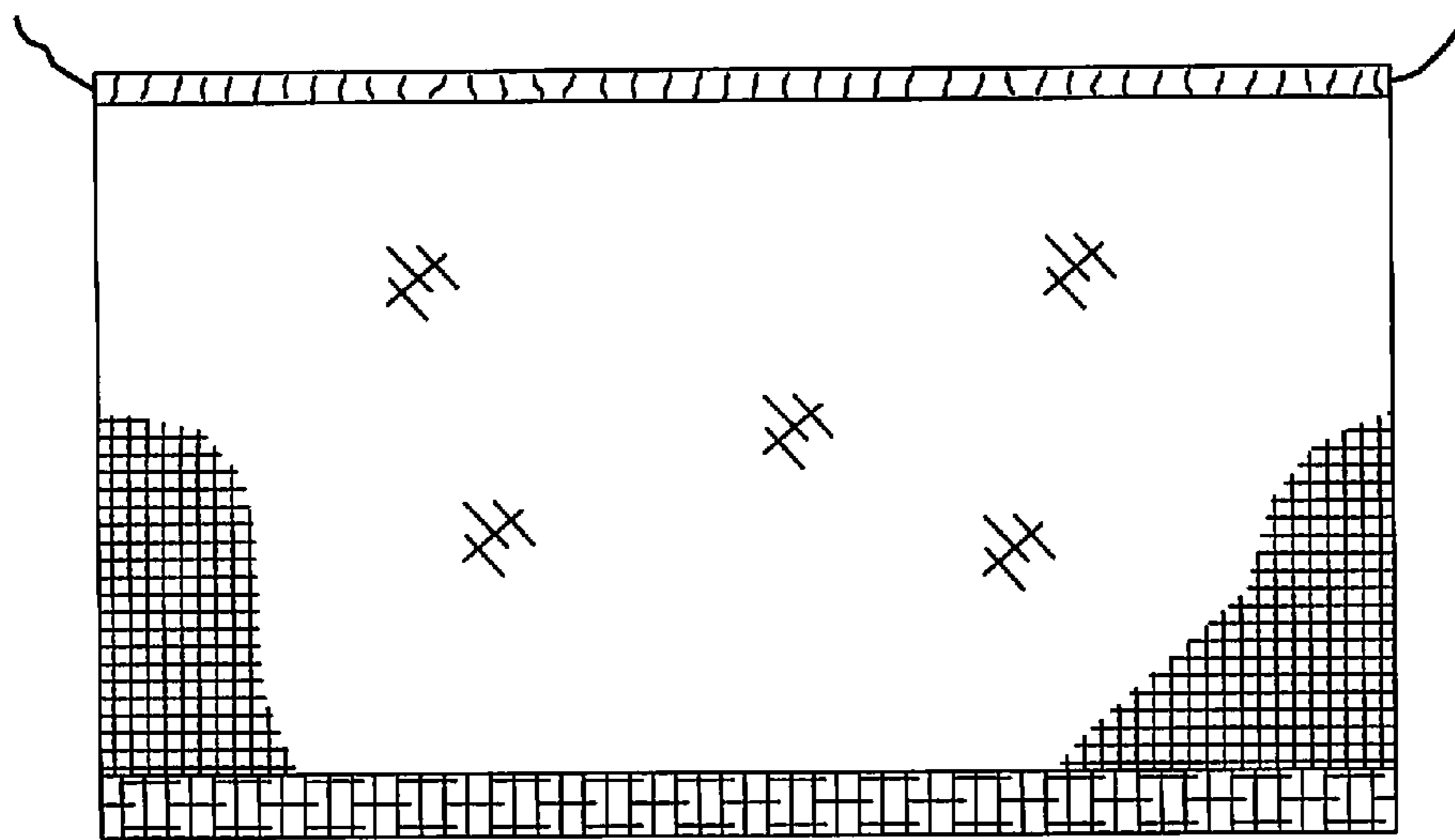


FIGURE 12

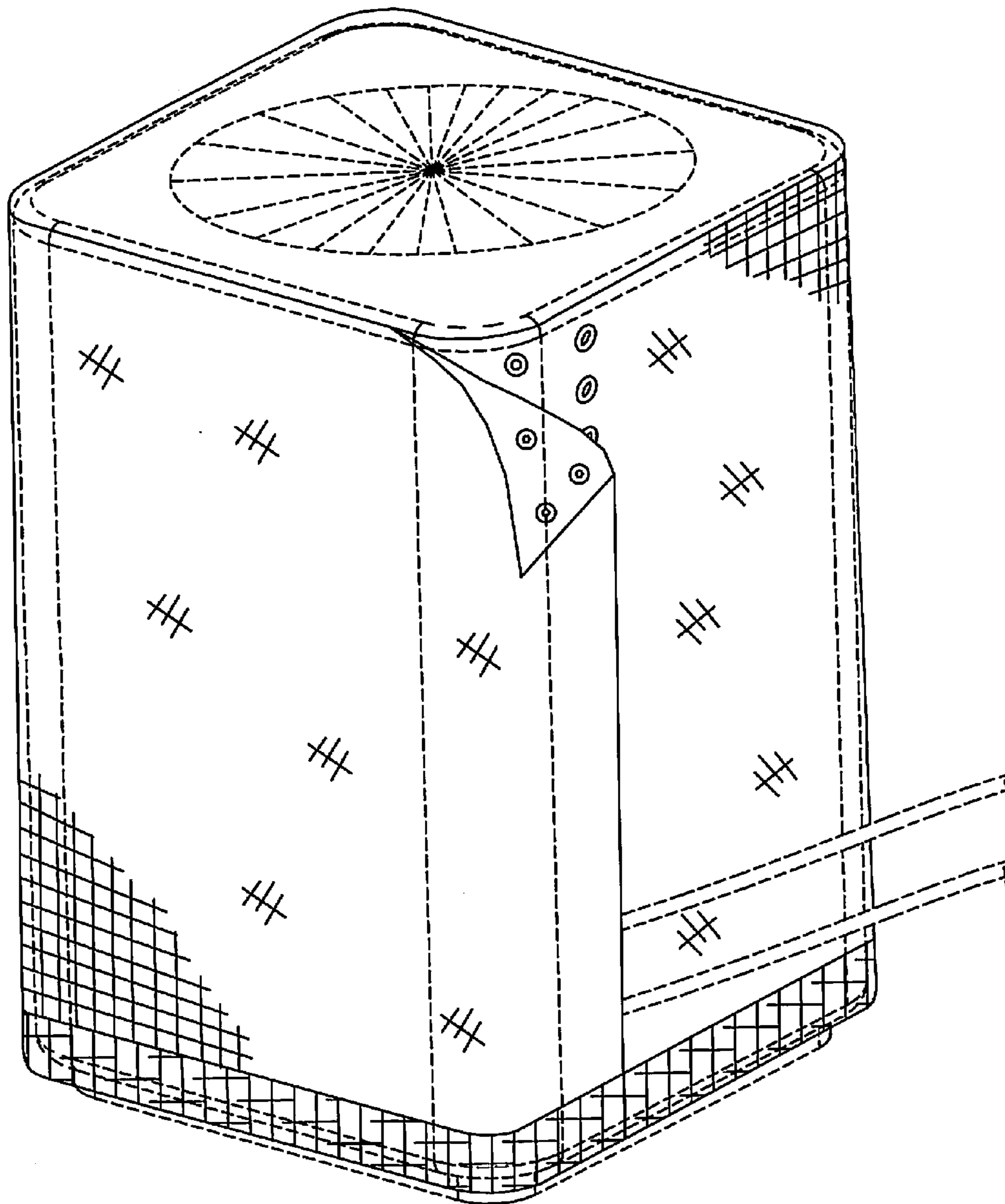


FIGURE 16

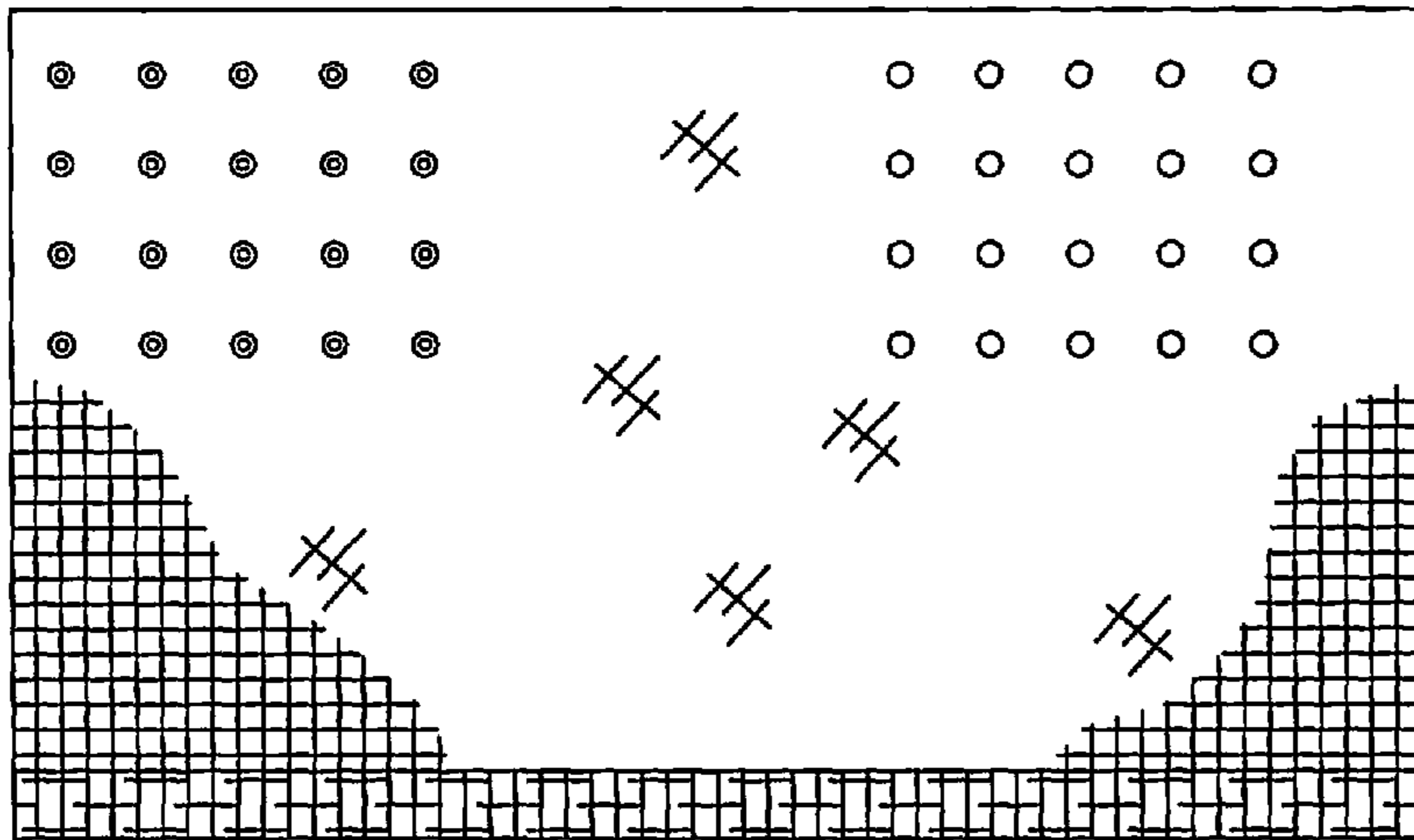


FIGURE 19



FIGURE 20

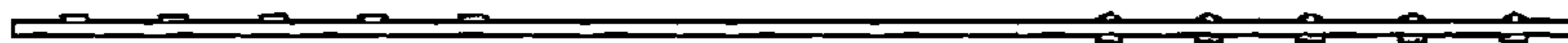


FIGURE 18

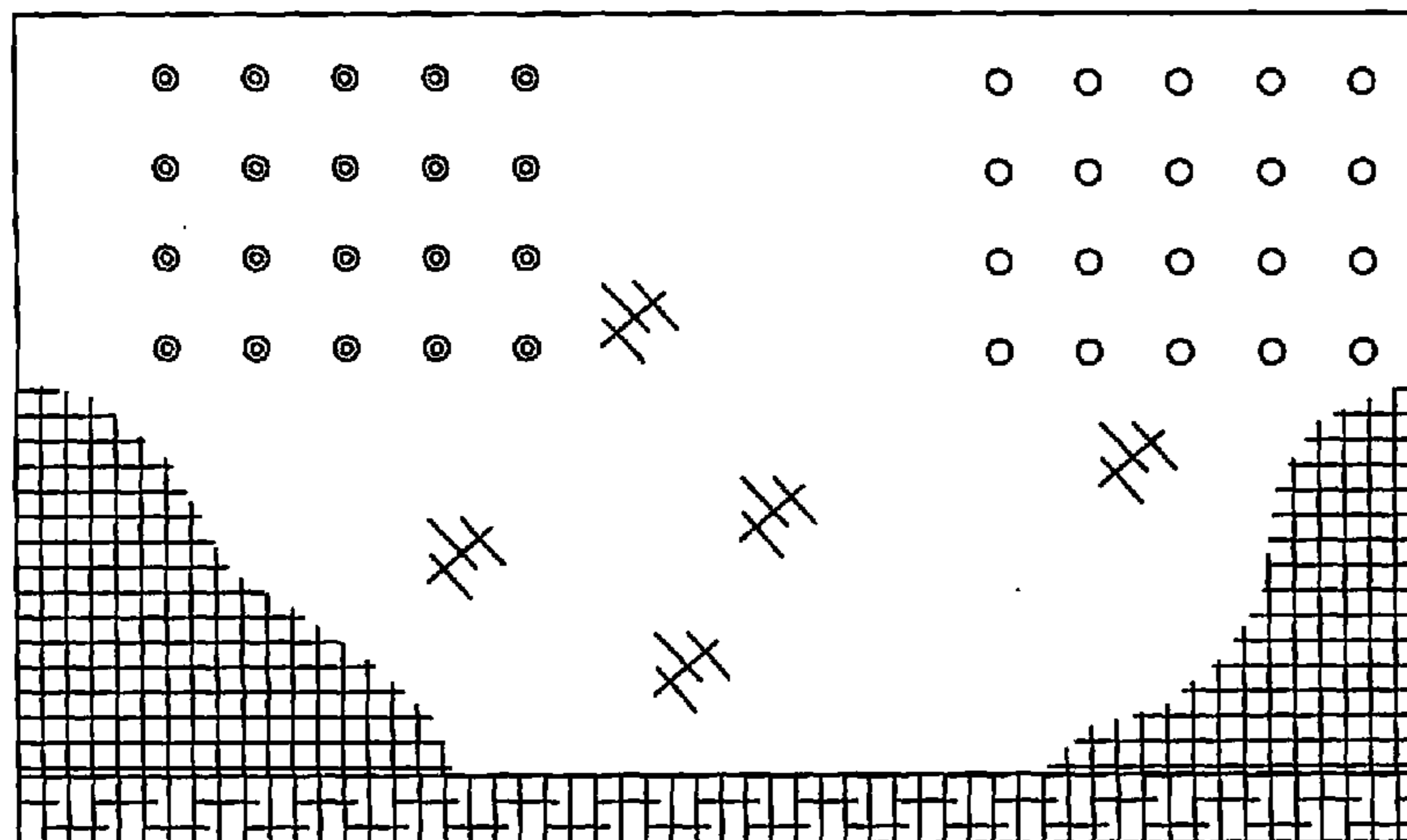


FIGURE 17