

US00D691832S

(12) **United States Design Patent**  
**Gil Gomez et al.**

(10) **Patent No.:** **US D691,832 S**  
(45) **Date of Patent:** **\*\* Oct. 22, 2013**

(54) **PATIENT TRANSFER MATTRESS COVER**

(71) Applicant: **Ecolab USA Inc.**, St. Paul, MN (US)

(72) Inventors: **Michael Alberto Gil Gomez**, Atlanta, GA (US); **Michelle Wilson**, Caledonia, MS (US); **Matthew S. Heinrich**, Seattle, WA (US); **Shelly Brackett**, Eugene, OR (US)

(73) Assignee: **EcoLab USA Inc.**, Saint Paul, MN (US)

(\*\*) Term: **14 Years**

(21) Appl. No.: **29/439,072**

(22) Filed: **Dec. 6, 2012**

**Related U.S. Application Data**

(62) Division of application No. 29/399,569, filed on Aug. 16, 2011, now Pat. No. Des. 675,467.

(51) **LOC (9) Cl.** ..... **06-13**

(52) **U.S. Cl.**  
USPC ..... **D6/606**

(58) **Field of Classification Search**  
USPC ..... D6/595-603, 606; 5/81.1 R, 81.1 T, 417, 5/420, 487, 494, 499, 501, 600, 624-626, 5/658, 662, 699, 723, 737, 738; D24/183, 184; D12/133

See application file for complete search history.

(56) **References Cited**

**U.S. PATENT DOCUMENTS**

1,697,633 A	1/1929	Copeland et al.
2,343,260 A	3/1944	Leader et al.
3,893,198 A	7/1975	Blair
3,935,604 A	2/1976	Collins
4,092,750 A	6/1978	Ellis
4,744,115 A	5/1988	Marchione
4,872,226 A	10/1989	Lonardo

5,005,231 A *	4/1991	Lonardo	5/81.1 T
5,065,464 A	11/1991	Blanchard et al.	
5,138,731 A	8/1992	Harcrow, Jr.	
5,452,487 A	9/1995	Leggett	
D436,281 S	1/2001	Thompson	
6,199,235 B1	3/2001	Spahn et al.	

(Continued)

**FOREIGN PATENT DOCUMENTS**

GB	2447406 A	9/2008
WO	WO2010082021 A1	7/2010

*Primary Examiner* — Mary Ann Calabrese

(74) *Attorney, Agent, or Firm* — McKee, Voorhees & Sease, P.L.C.

(57) **CLAIM**

The ornamental design for patient transfer mattress cover, as shown and described.

**DESCRIPTION**

FIG. 1 is a top side perspective view of a patient transfer mattress cover showing our new design;

FIG. 2 is a bottom side perspective view of the patient transfer mattress cover shown in FIG. 1;

FIG. 3 is a top plan view of the patient transfer mattress cover shown in FIG. 1;

FIG. 4 is a bottom plan view of the patient transfer mattress cover shown in FIG. 1;

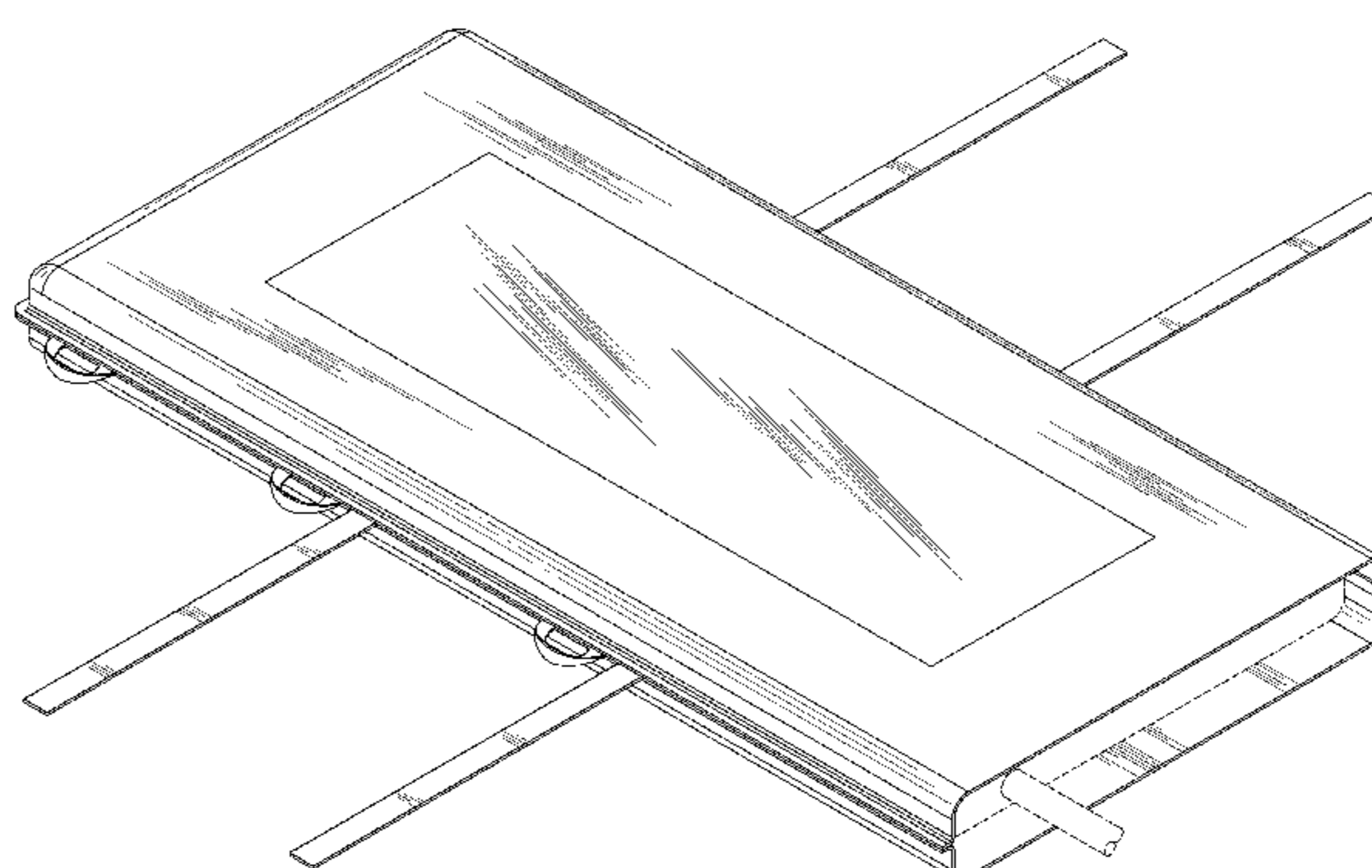
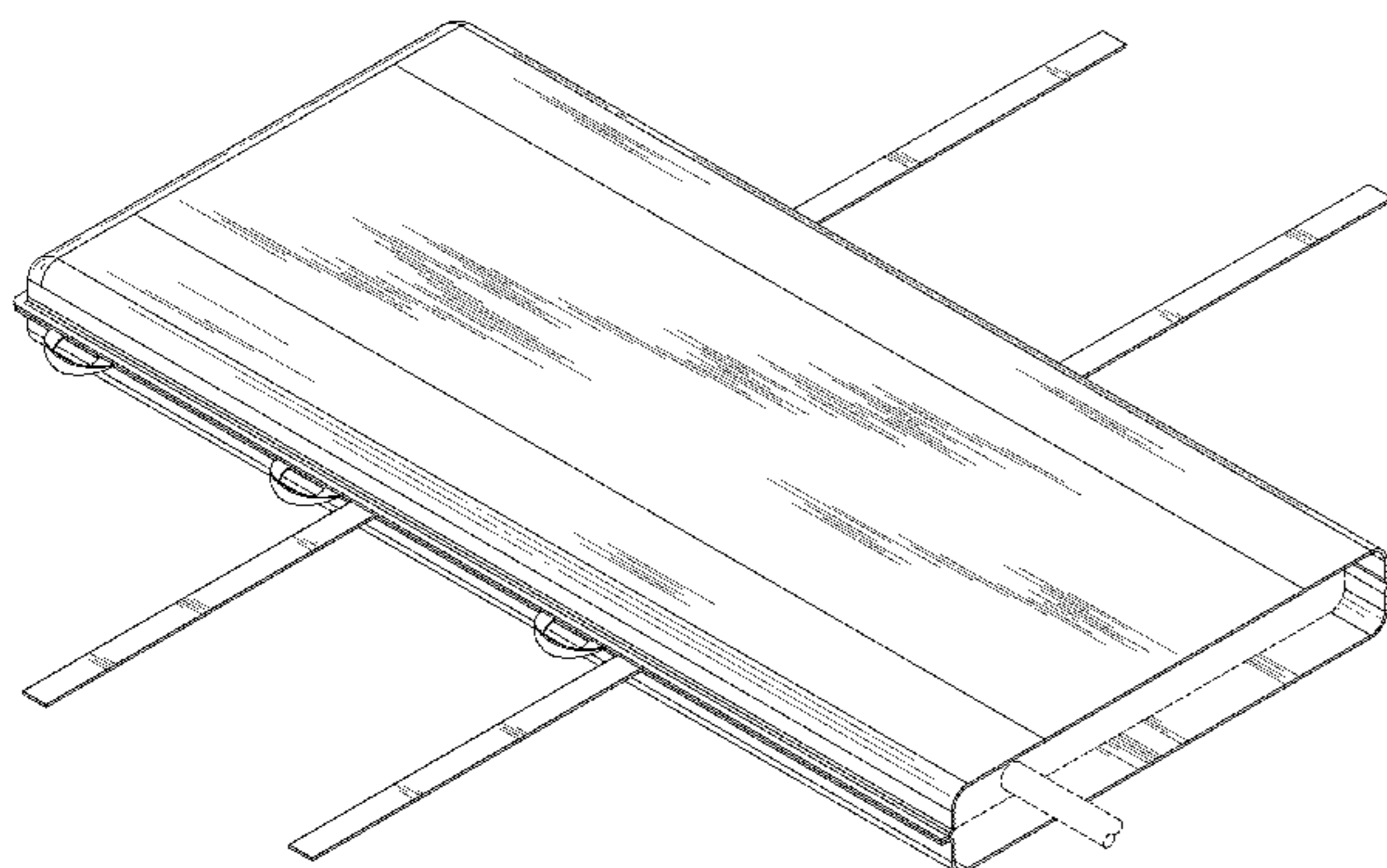
FIG. 5 is an end view of the patient transfer mattress cover shown in FIG. 1;

FIG. 6 is an opposite end view of the patient transfer mattress cover shown in FIG. 1; and,

FIG. 7 is a side view of the patient transfer mattress cover shown in FIG. 1.

In the drawings, the broken lines represent features of the patient transfer mattress cover that form no part of the claimed design. FIGS. 3 and 4 include portions shown broken away for ease of disclosure on the drawing sheet.

**1 Claim, 5 Drawing Sheets**



(56)

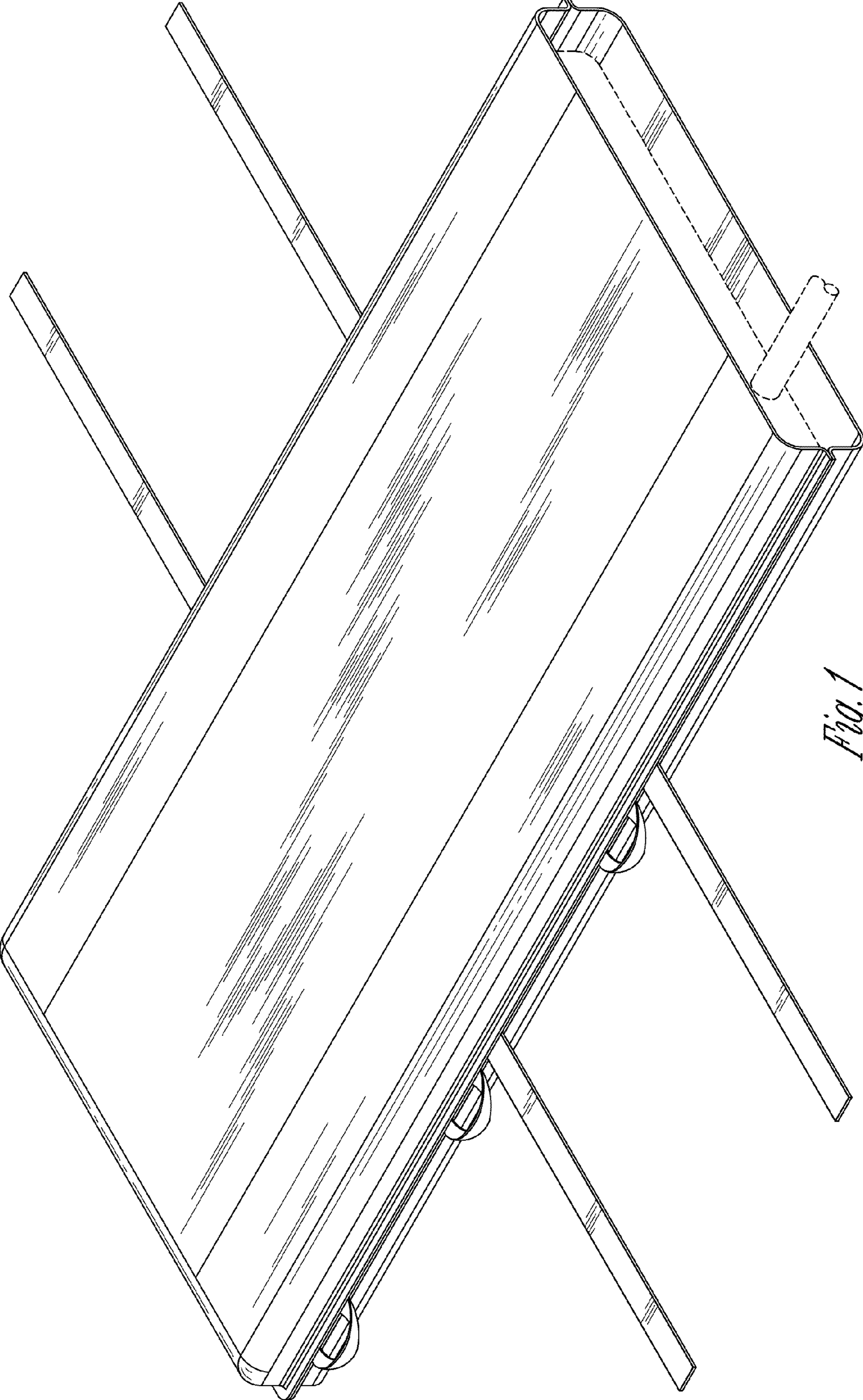
**References Cited**

U.S. PATENT DOCUMENTS

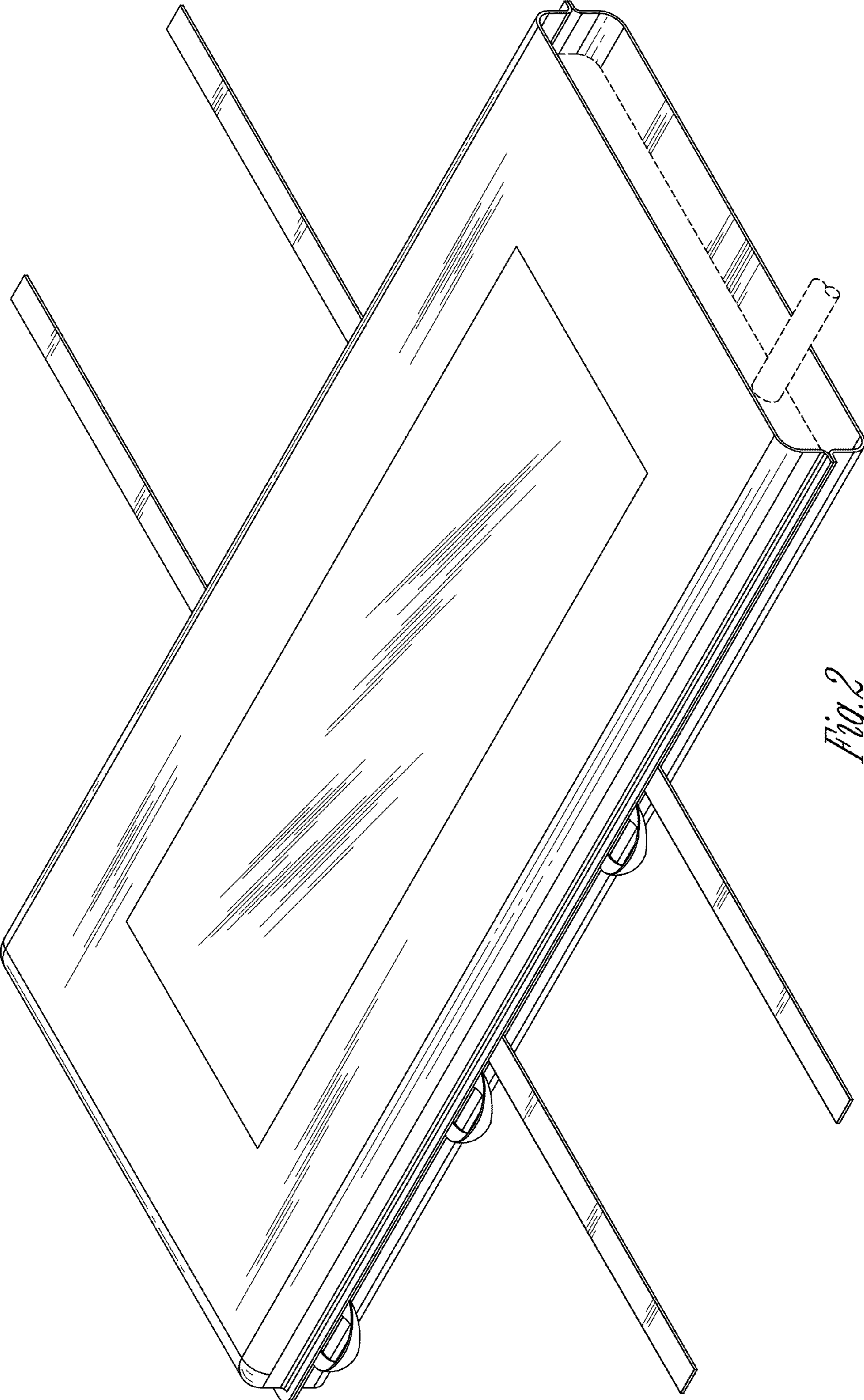
7,228,579 B2 6/2007 Tidwell  
7,340,785 B2 3/2008 Weedling et al.  
7,340,787 B1 3/2008 Willard et al.  
7,520,004 B2 4/2009 Czop  
7,818,836 B2 10/2010 Stinson

D675,467 S \* 2/2013 Gil Gomez et al. .... D6/606  
2002/0166168 A1 11/2002 Weedling et al.  
2006/0213010 A1 9/2006 Davis  
2006/0253976 A1 11/2006 Weedling et al.  
2009/0144894 A1 6/2009 Shiffert  
2010/0299836 A1 12/2010 Tanaka et al.  
2011/0035880 A1 2/2011 Cole et al.  
2011/0271444 A1 11/2011 Davis

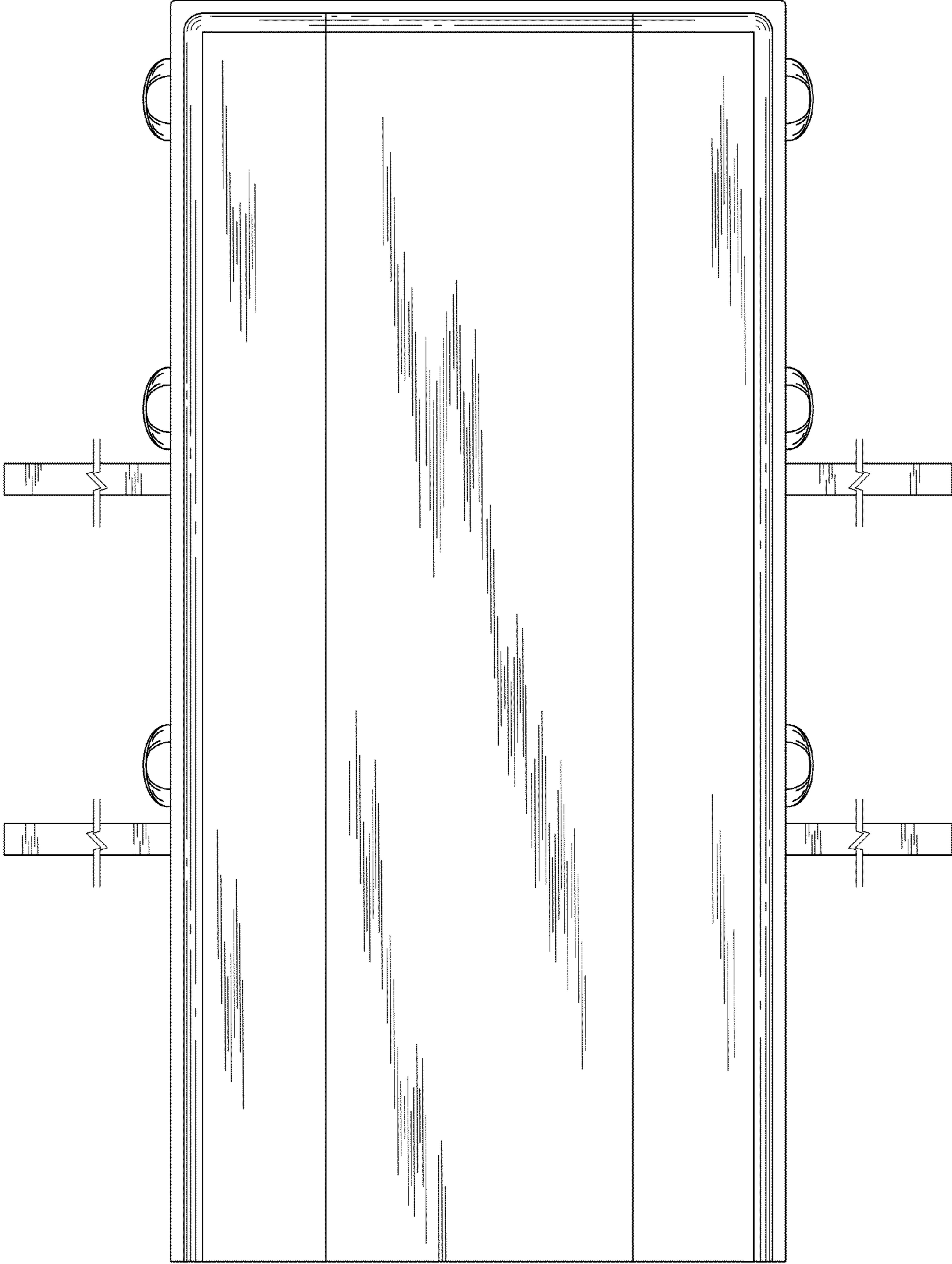
\* cited by examiner



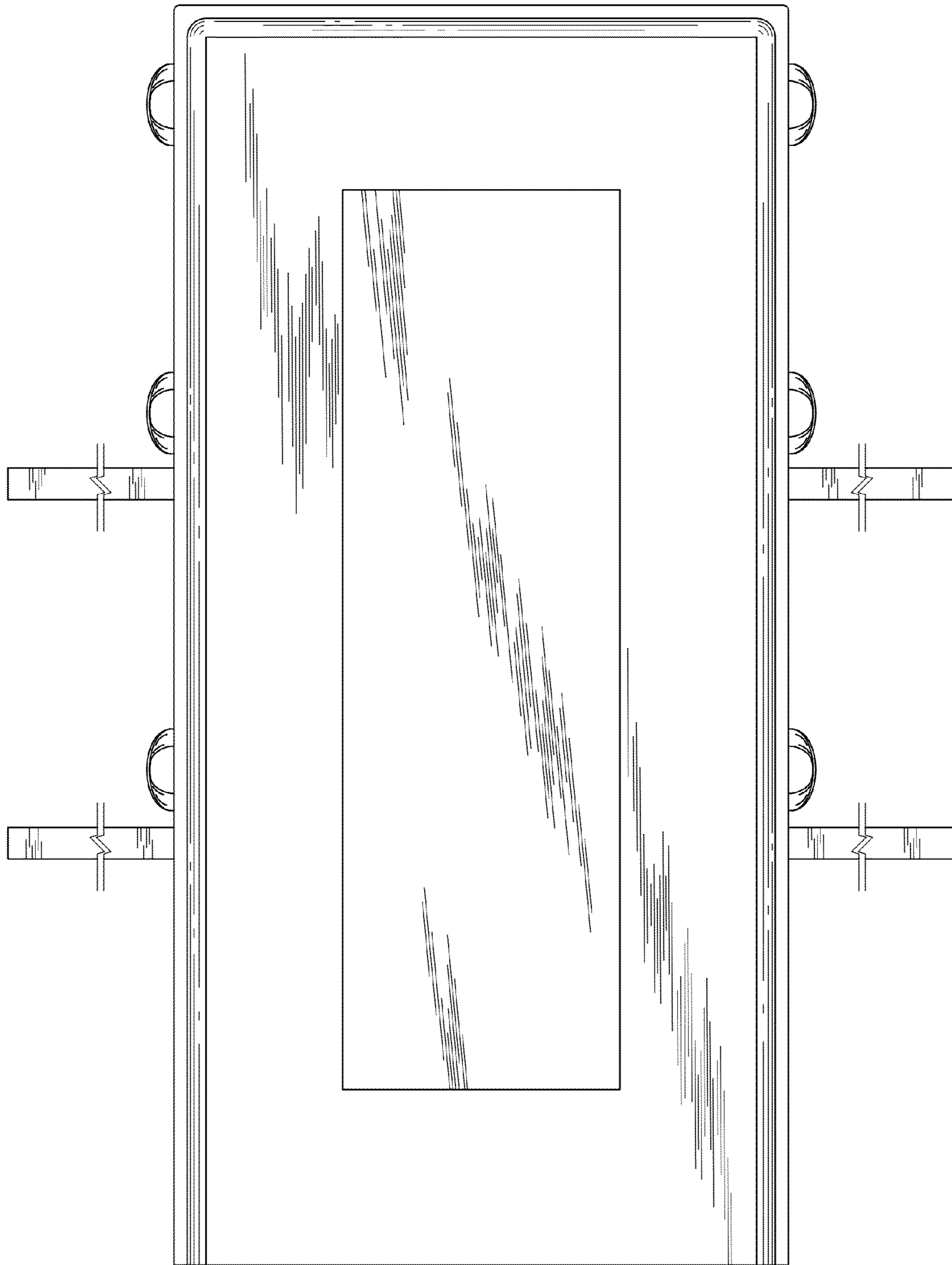
*Fig. 1*



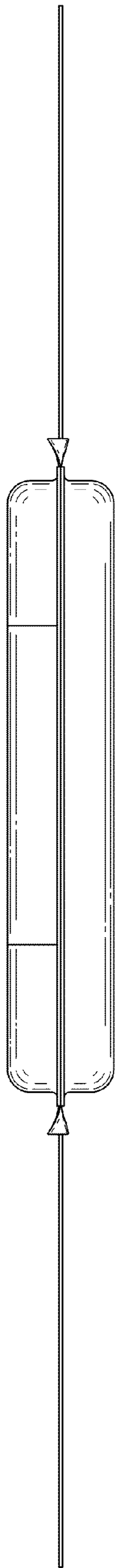
*Fig. 2*



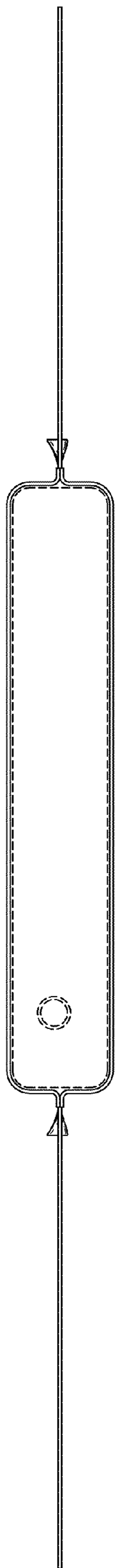
*Fig. 3*



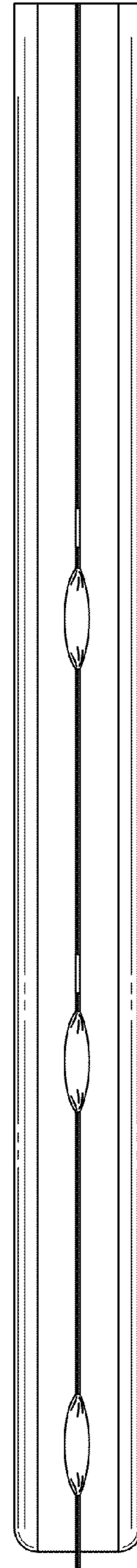
*Fig. 4*



*Fig. 5*



*Fig. 6*



*Fig. 7*