



US00D691828S

(12) **United States Design Patent**
Rosenberg

(10) **Patent No.:** **US D691,828 S**

(45) **Date of Patent:** **** Oct. 22, 2013**

(54) **PILLOW**

(76) **Inventor:** **Maxwell Rosenberg**, Phoenix, AZ (US)

(**) **Term:** **14 Years**

(21) **Appl. No.:** **29/423,433**

(22) **Filed:** **May 31, 2012**

(51) **LOC (9) Cl.** **06-09**

(52) **U.S. Cl.**
USPC **D6/601**

(58) **Field of Classification Search**
USPC D6/595-597, 601, 604, 390; 5/630,
5/644, 710, 732, 652, 652.1, 653, 654,
5/655.3, 655.6, 655.9, 656, 657.5, 945
See application file for complete search history.

(56) **References Cited**

U.S. PATENT DOCUMENTS

2,556,629	A *	6/1951	O'Brien	5/638
D343,756	S *	2/1994	Sher	D6/601
D430,627	S *	9/2000	Bergman	D21/686
6,292,964	B1 *	9/2001	Rose et al.	5/630
6,877,176	B2 *	4/2005	Houghteling	5/655

D528,707	S *	9/2006	Deioma	D30/118
D626,775	S *	11/2010	Deenadayalu et al.	D6/601
D636,452	S *	4/2011	Majors	D21/803
D652,239	S *	1/2012	Governale	D6/601
D672,420	S *	12/2012	Rominger	D21/803

* cited by examiner

Primary Examiner — Janice Seeger

(74) *Attorney, Agent, or Firm* — QuickPatents; Kevin Prince

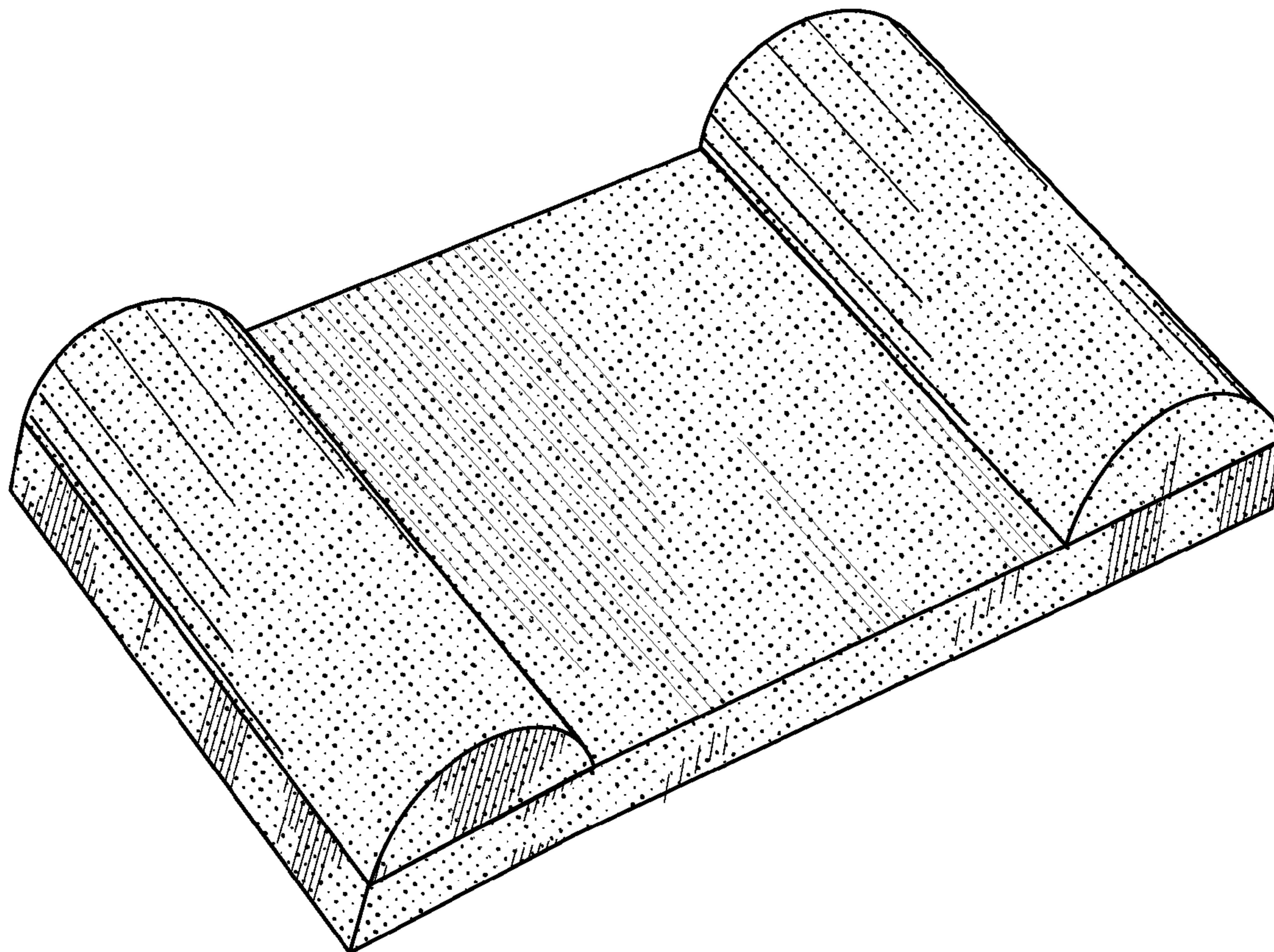
(57) **CLAIM**

I claim the ornamental design for a pillow, as shown and described.

DESCRIPTION

FIG. 1 is a perspective view of a pillow, showing my new design;
FIG. 2 is a front elevational view of FIG. 1, the rear elevational view being a mirror image thereof;
FIG. 3 is a left-side elevational view of FIG. 1, the right-side elevational view being a mirror image thereof;
FIG. 4 is a top plan view of FIG. 1; and,
FIG. 5 is a bottom plan view of FIG. 1.

1 Claim, 2 Drawing Sheets



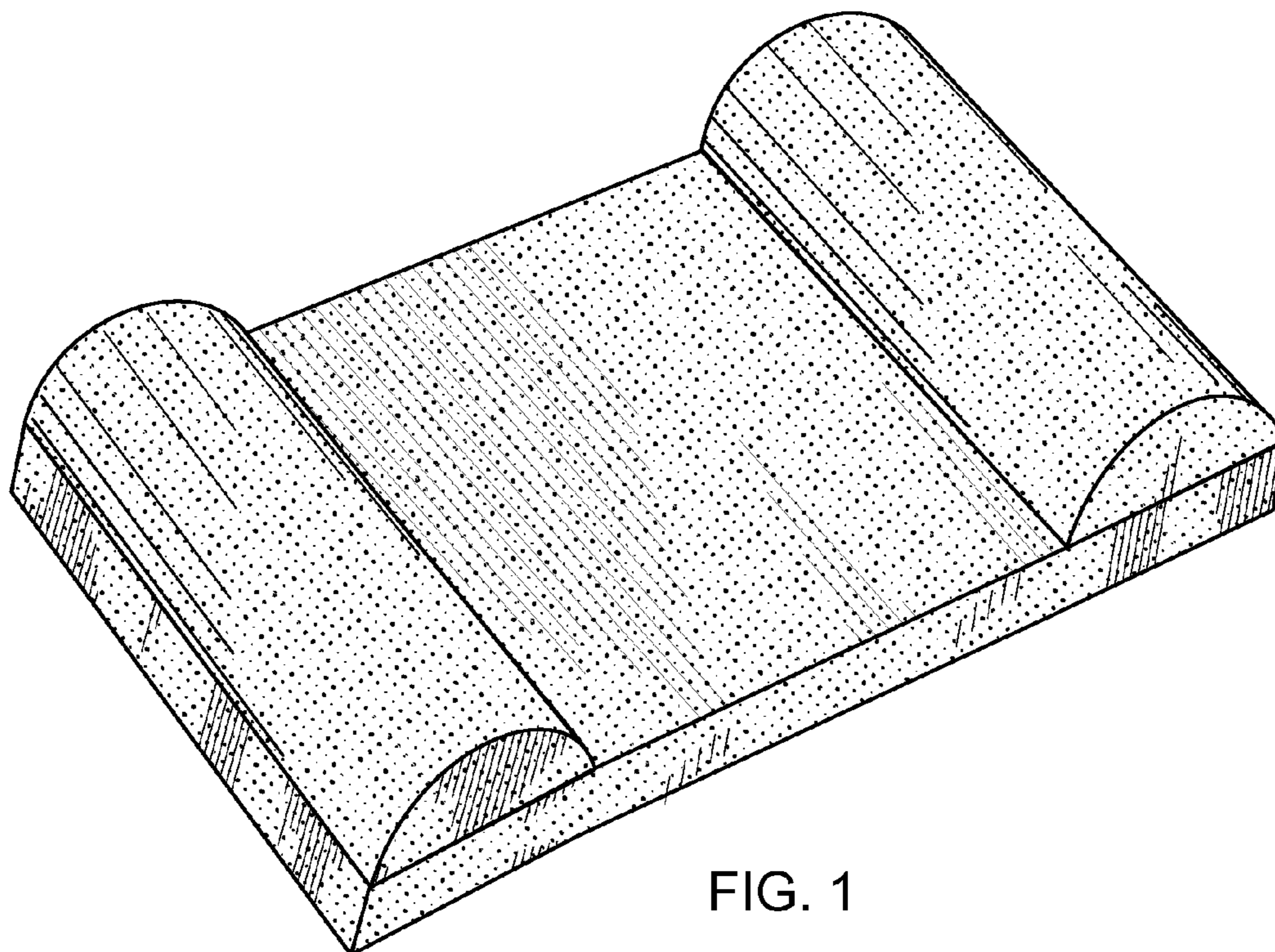


FIG. 1

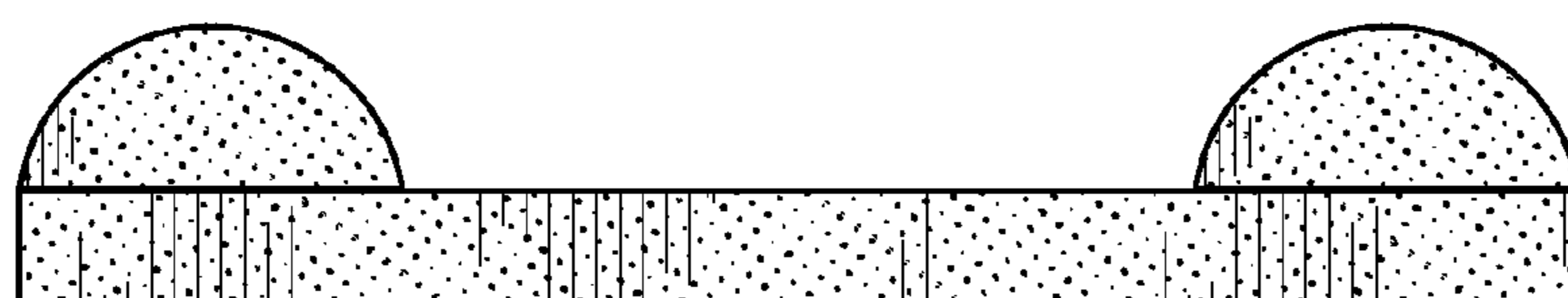


FIG. 2

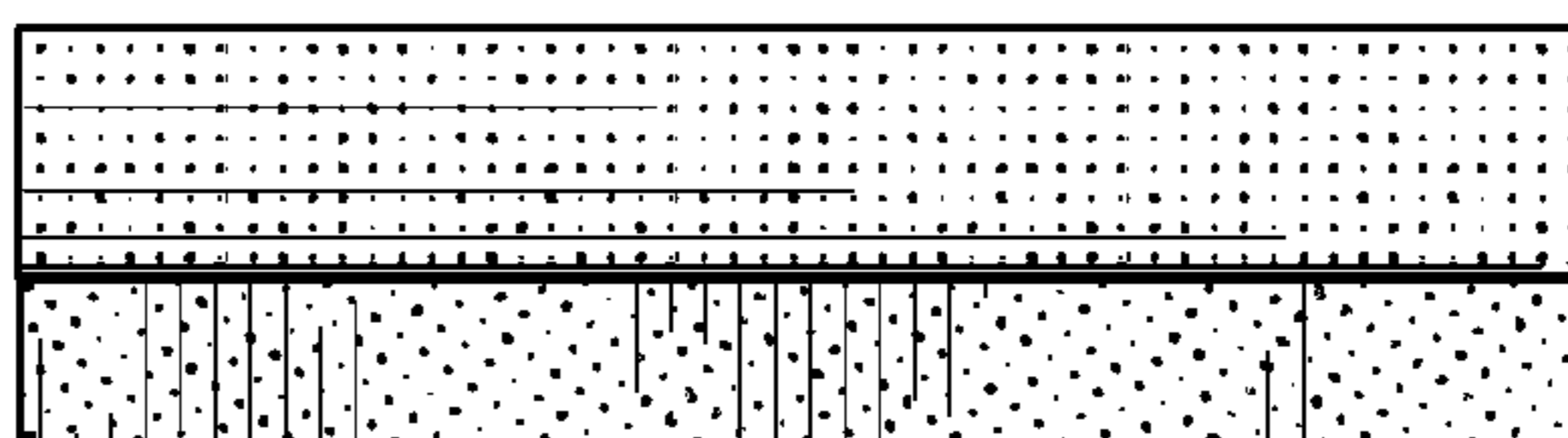


FIG. 3

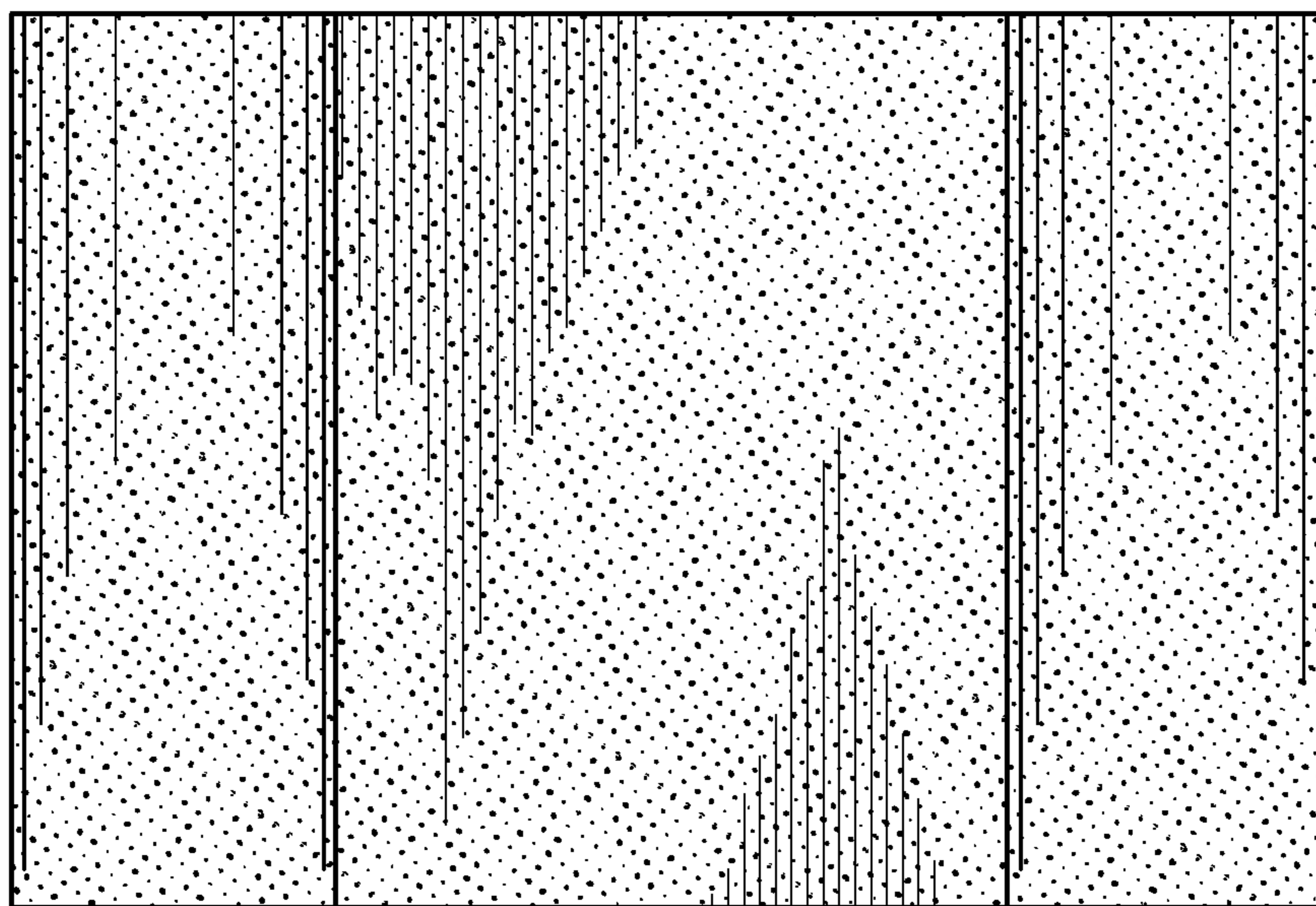


FIG. 4

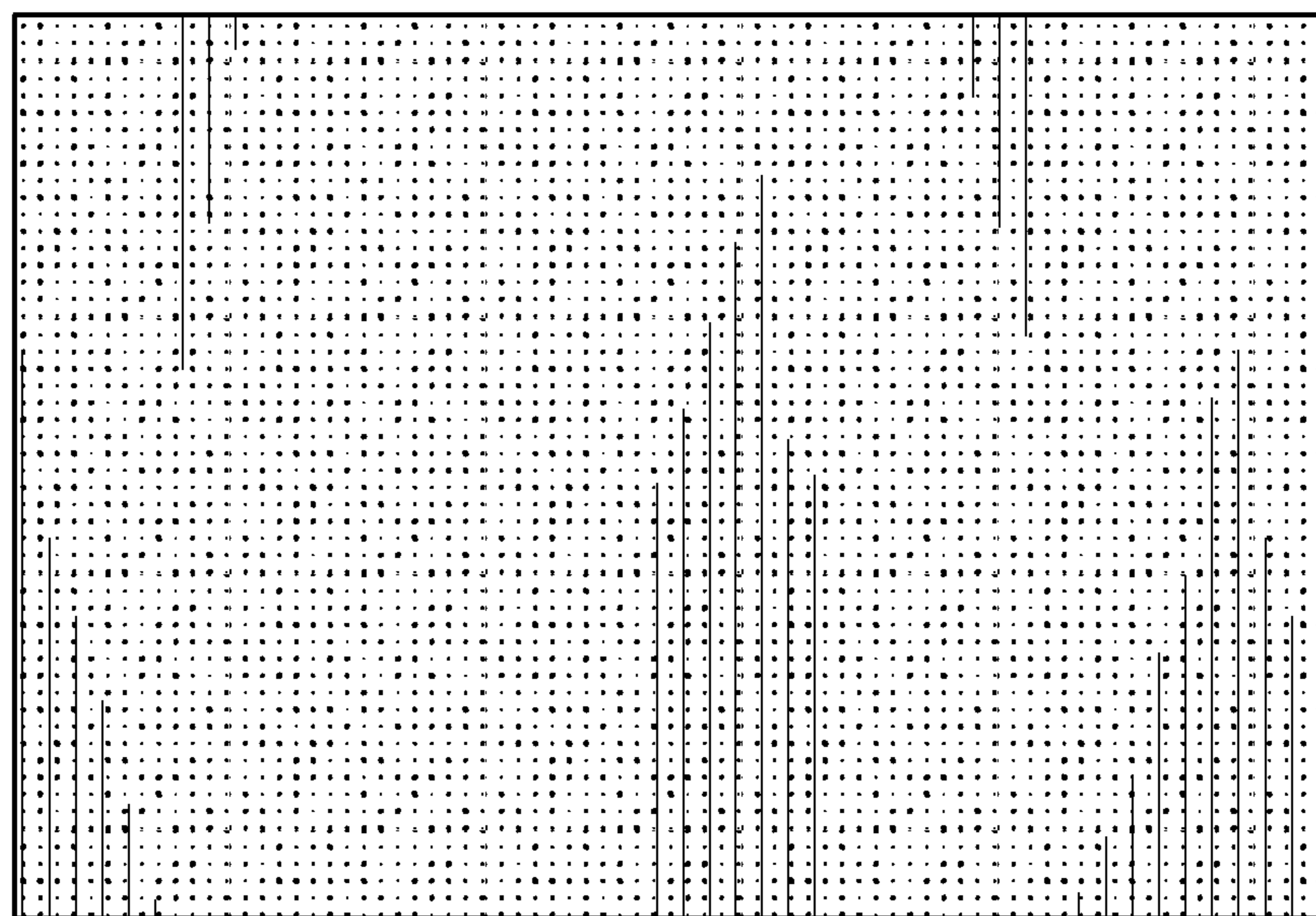


FIG. 5