

US00D691824S

(12) **United States Design Patent**
Pesso

(10) **Patent No.:** **US D691,824 S**

(45) **Date of Patent:** **** Oct. 22, 2013**

(54) **CHAIR**

(71) Applicant: **David A. Pesso**, Boca Raton, FL (US)

(72) Inventor: **David A. Pesso**, Boca Raton, FL (US)

(73) Assignee: **Beaufurn, LLC**, Advance, NC (US)

(**) Term: **14 Years**

(21) Appl. No.: **29/436,703**

(22) Filed: **Nov. 8, 2012**

(51) **LOC (9) Cl.** **06-01**

(52) **U.S. Cl.**
USPC **D6/380**

(58) **Field of Classification Search**
USPC D6/334–336, 360, 370, 374, 375, 376,
D6/379, 380, 716, 716.1, 716.2, 716.3,
D6/716.4; 297/183.7, 239, 445.1, 446.1,
297/446.2, 449.1, 452.2
See application file for complete search history.

(56) **References Cited**

U.S. PATENT DOCUMENTS

D352,185 S * 11/1994 Pagnon et al. D6/380
D353,498 S * 12/1994 Cox D6/380

D391,412 S * 3/1998 James et al. D6/379
D429,911 S * 8/2000 Bartlmae D6/380
D468,926 S * 1/2003 Bongaerts D6/380
D498,071 S * 11/2004 Ashby et al. D6/374
D502,331 S * 3/2005 Socha et al. D6/374
D647,320 S * 10/2011 Young D6/380
D649,804 S * 12/2011 Keller et al. D6/376
D673,787 S * 1/2013 Bartlmae D6/380

* cited by examiner

Primary Examiner — Mimoso De

(74) *Attorney, Agent, or Firm* — MacCord Mason PLLC

(57) **CLAIM**

The ornamental design for a chair, as shown and described.

DESCRIPTION

FIG. 1 is a front perspective view of a chair showing my new design;

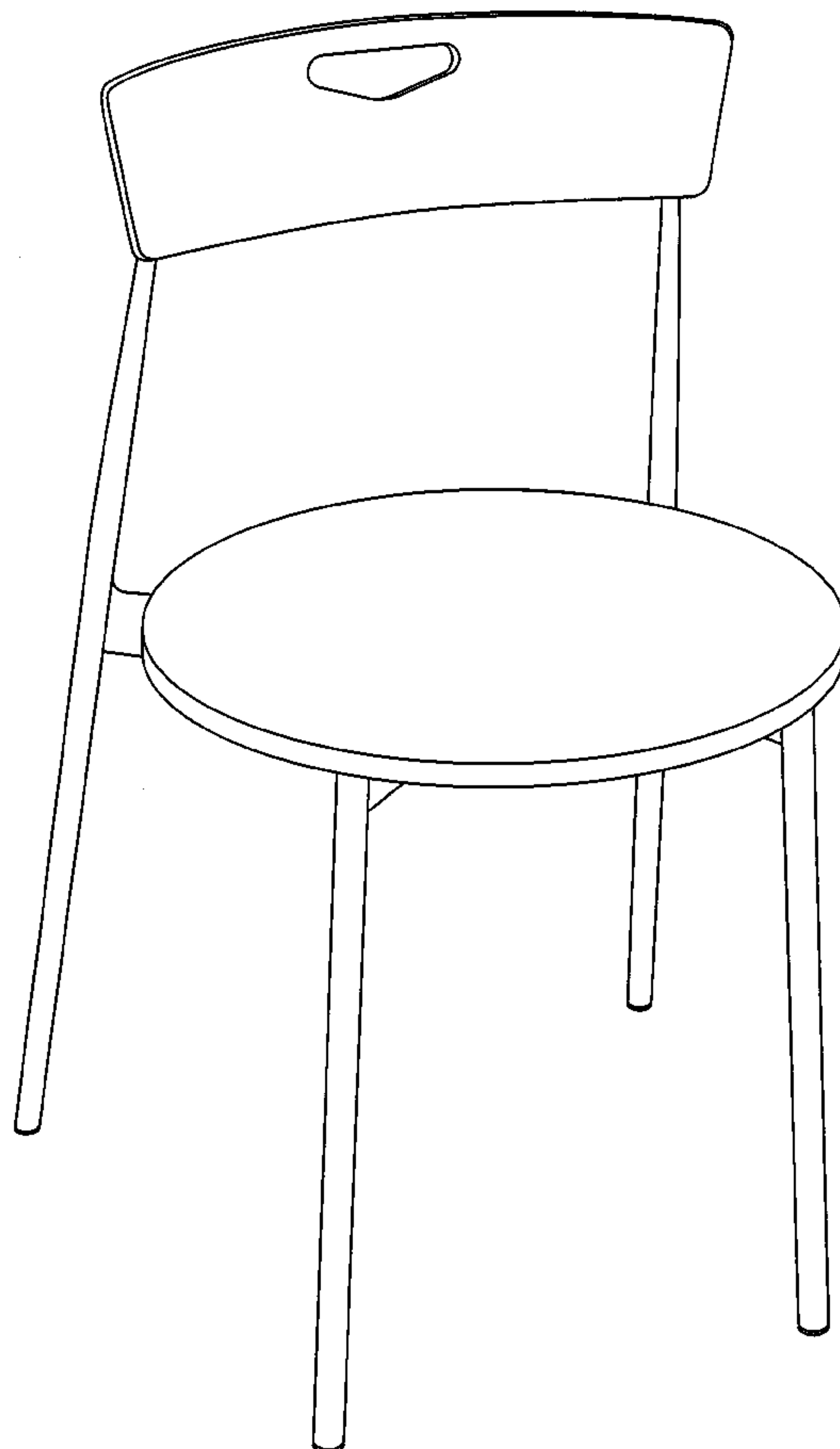
FIG. 2 is a front view thereof;

FIG. 3 is a right side view, the opposite side being a mirror image thereof;

FIG. 4 is a back view thereof; and,

FIG. 5 is a top view thereof.

1 Claim, 5 Drawing Sheets



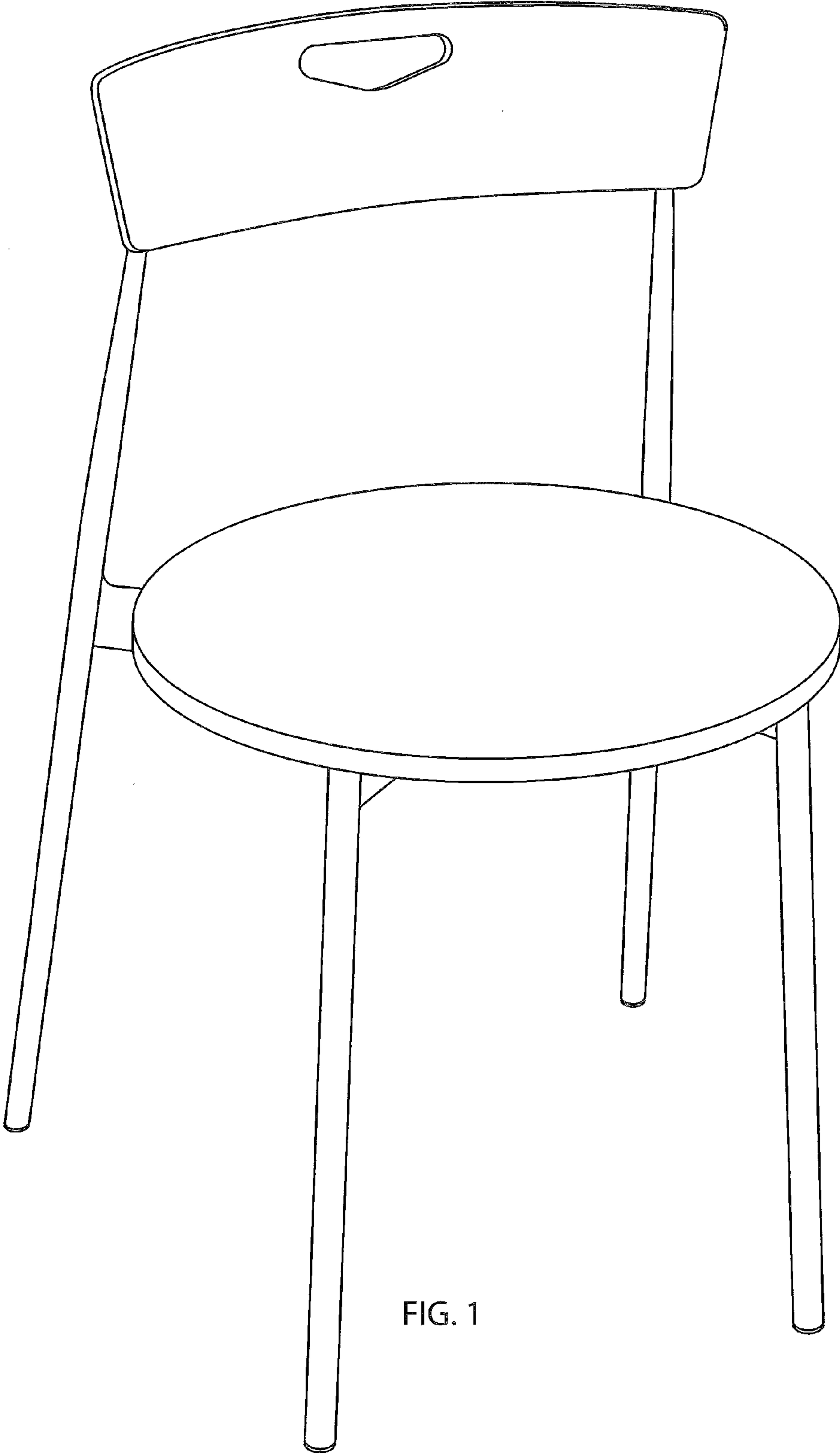


FIG. 1

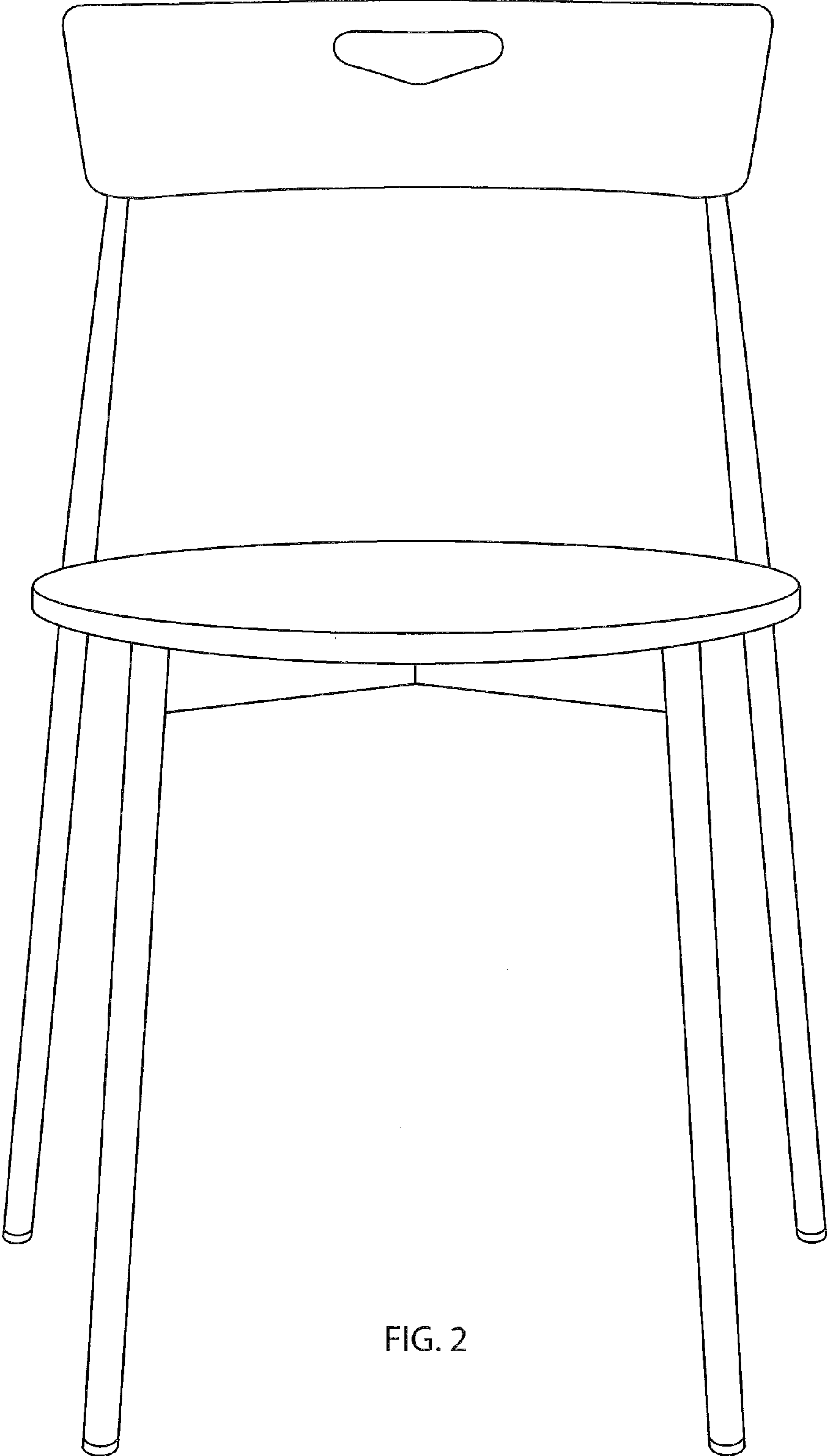


FIG. 2

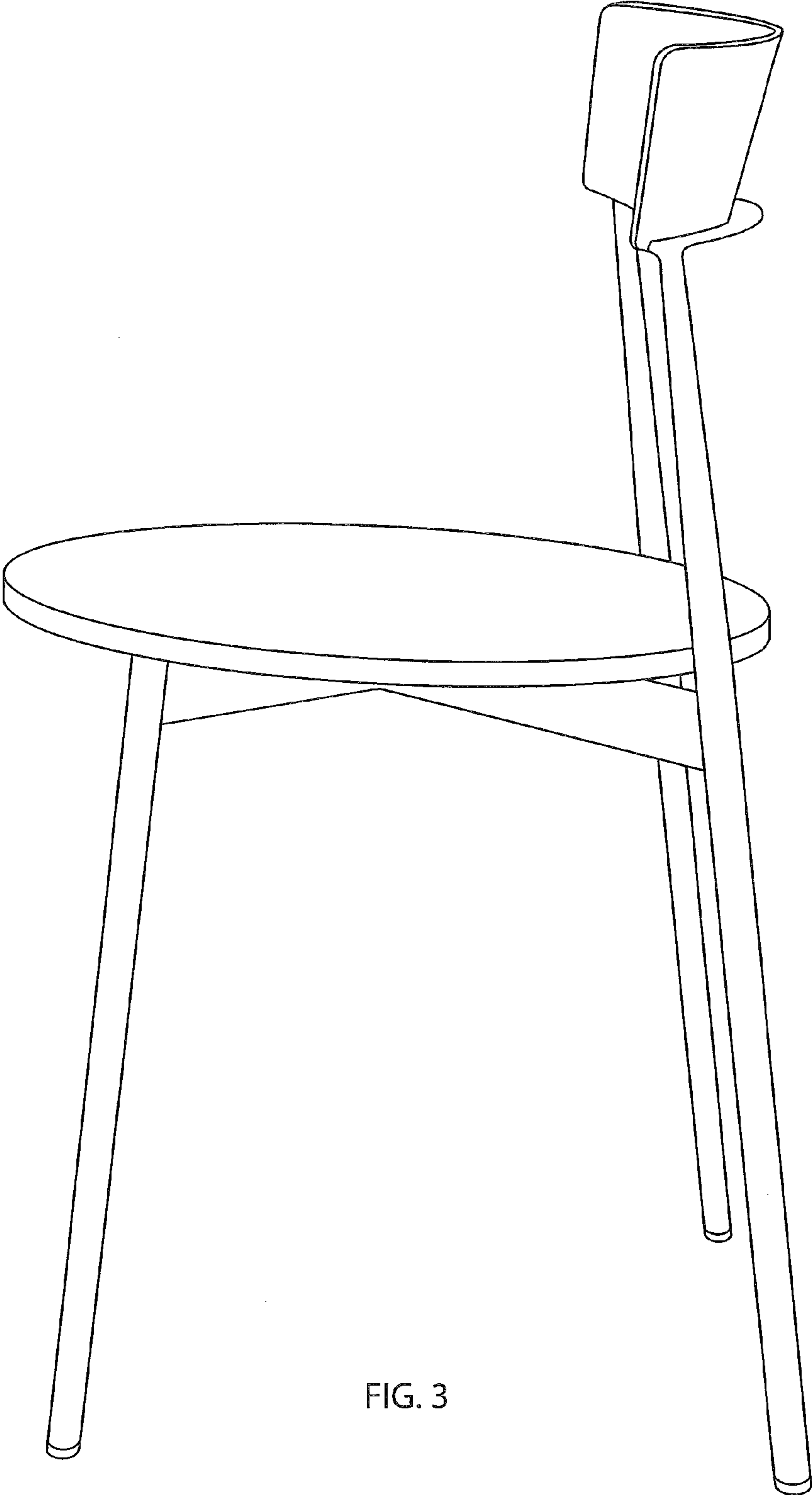


FIG. 3

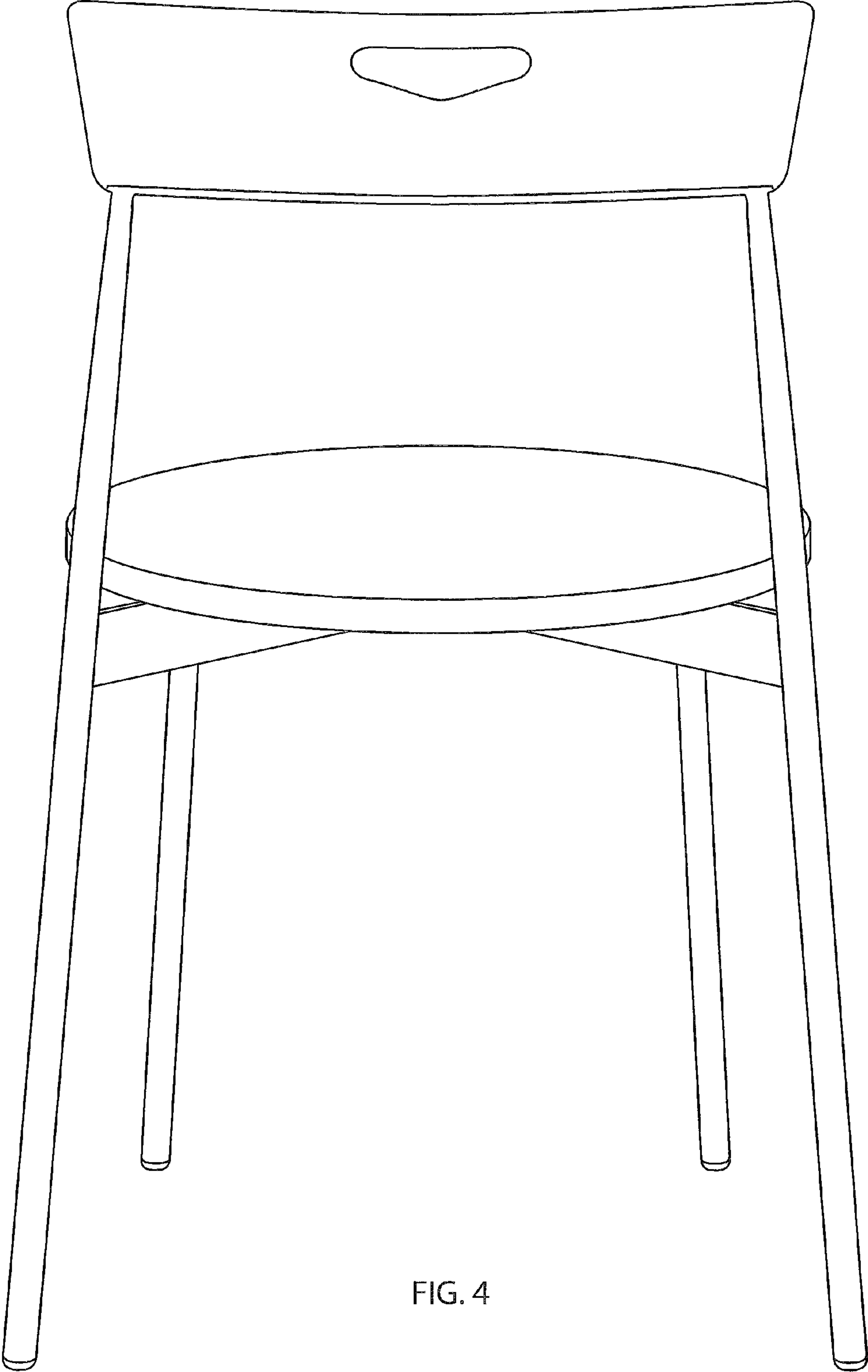


FIG. 4

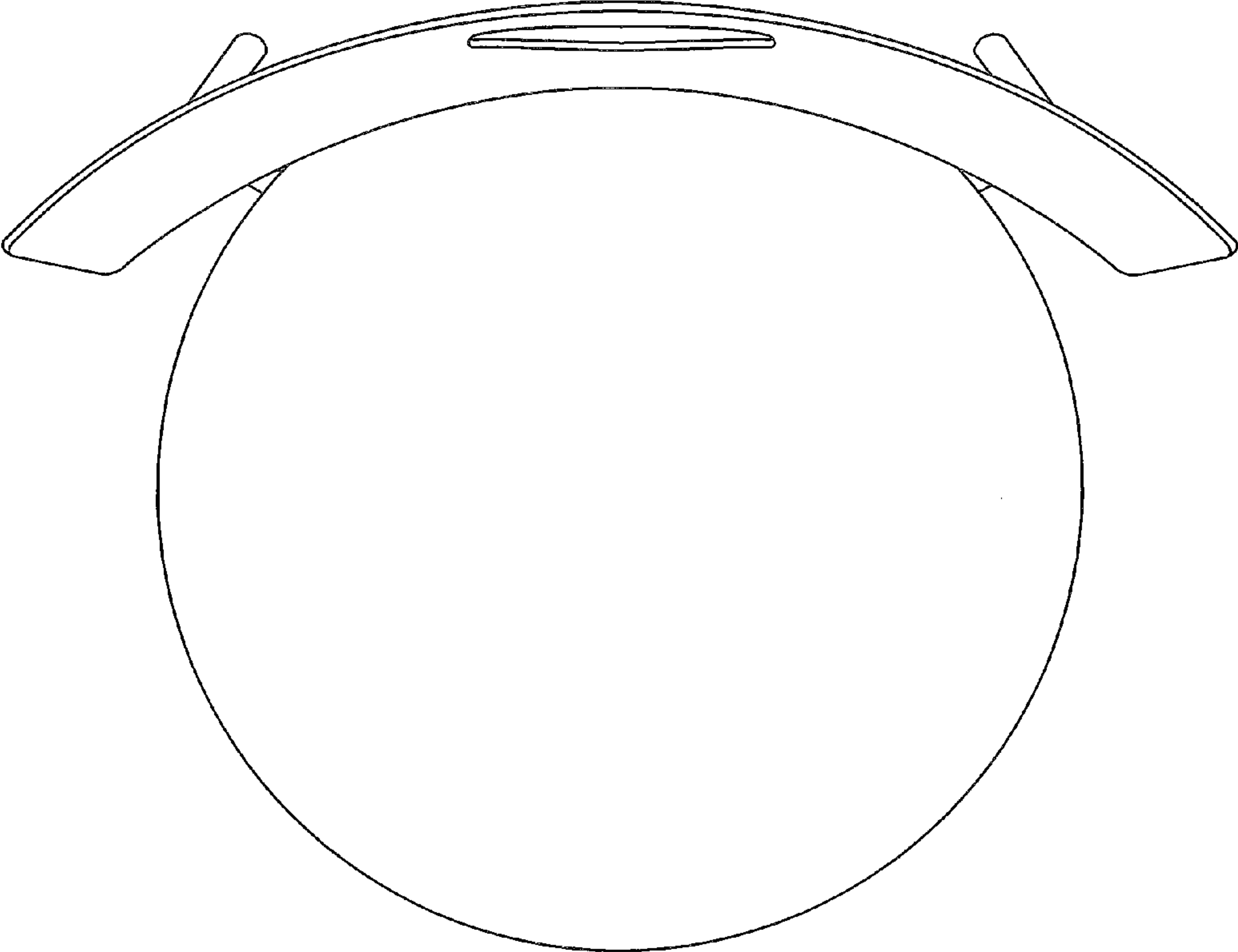


FIG. 5