

US00D691822S

(12) **United States Design Patent**
Smit

(10) **Patent No.:** **US D691,822 S**
(45) **Date of Patent:** **** Oct. 22, 2013**

(54) **CHAIR SUITABLE FOR GAMING**
(71) Applicant: **F. Smit Holding B.V.**, Doetinchem (NL)
(72) Inventor: **Fernando Smit**, Doetinchem (NL)
(73) Assignee: **F. Smit Holding B.V.**, KA Doetinchem (NL)

5,476,308 A * 12/1995 St. Germain 297/452.13
D415,902 S * 11/1999 Chun-Yueh D6/368
6,877,803 B1 * 4/2005 Reese 297/440.24
D531,832 S * 11/2006 Andersson D6/368
D598,207 S * 8/2009 Smit D6/335
D612,623 S * 3/2010 Smit D6/366
D612,641 S * 3/2010 Smit D6/716
D639,577 S * 6/2011 Tseng D6/368
D651,010 S * 12/2011 Cohen D6/368
D654,714 S * 2/2012 Tseng D6/368

(**) Term: **14 Years**
(21) Appl. No.: **29/438,548**
(22) Filed: **Nov. 30, 2012**

* cited by examiner

Primary Examiner — Mimoso De
(74) *Attorney, Agent, or Firm* — Abelman, Frayne & Schwab

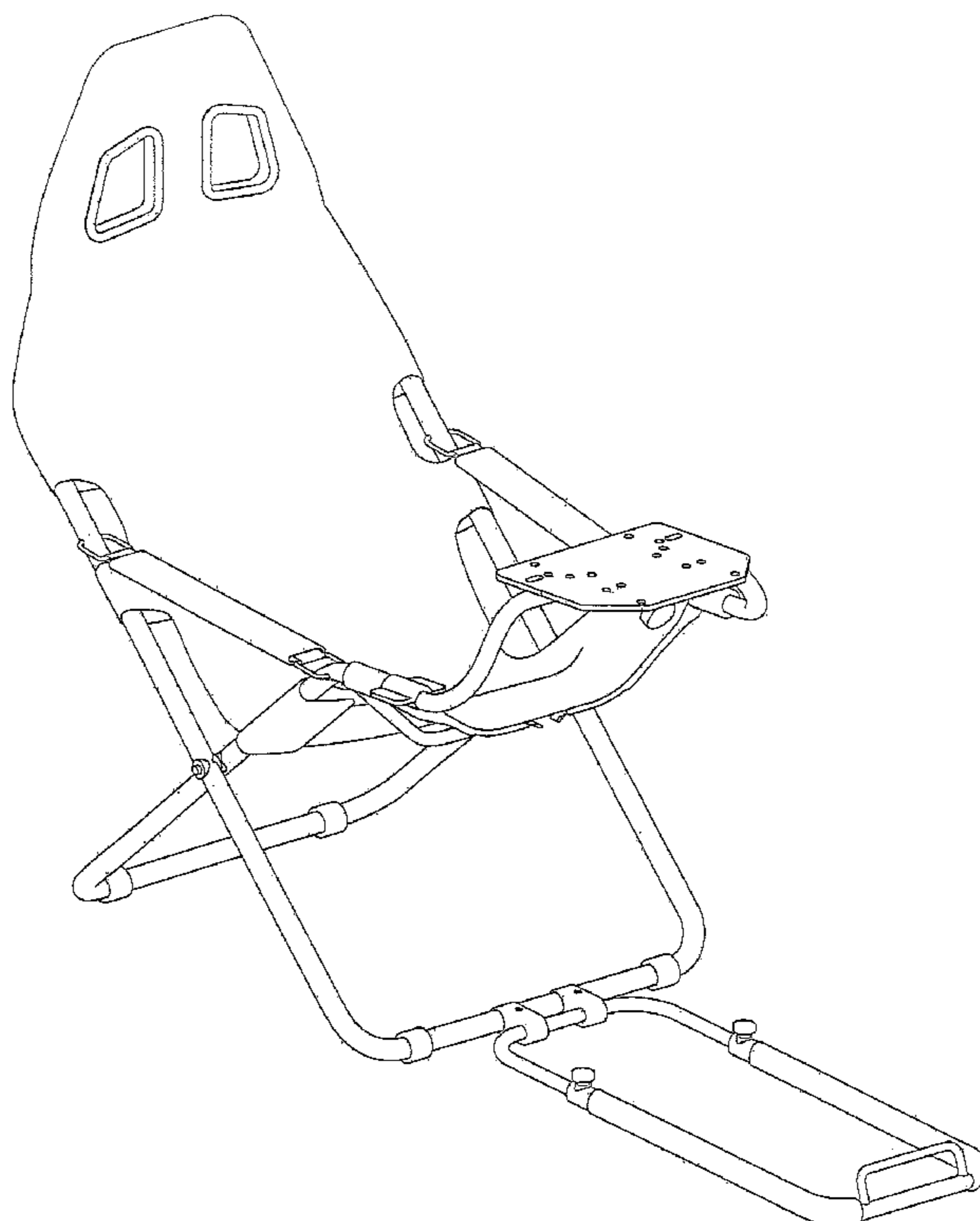
(30) **Foreign Application Priority Data**
May 31, 2012 (EM) 002050492-0001
(51) **LOC (9) Cl.** **06-01**
(52) **U.S. Cl.**
USPC **D6/368**
(58) **Field of Classification Search**
USPC D6/334–336, 366, 368, 371–373, 374,
D6/375, 376, 379, 716, 716.1, 716.2,
D6/716.3, 716.4; 297/16.1, 27, 31, 35, 39,
297/40, 45, 174 R, 440.24, 452.12, 452.13
See application file for complete search history.

(57) **CLAIM**
The ornamental design for a chair suitable for gaming, as shown and described.

(56) **References Cited**
U.S. PATENT DOCUMENTS
5,413,400 A * 5/1995 Llanes 297/16.1
D360,082 S * 7/1995 Tseng D6/368

DESCRIPTION
FIG. 1 is a front perspective view of the chair;
FIG. 2 is a left side view of the chair (looking in a forward direction);
FIG. 3 is a right side view of the chair;
FIG. 4 is a front view of the chair;
FIG. 5 is a rear view of the chair;
FIG. 6 is a top view of the chair; and,
FIG. 7 is a bottom view of the chair.

1 Claim, 7 Drawing Sheets



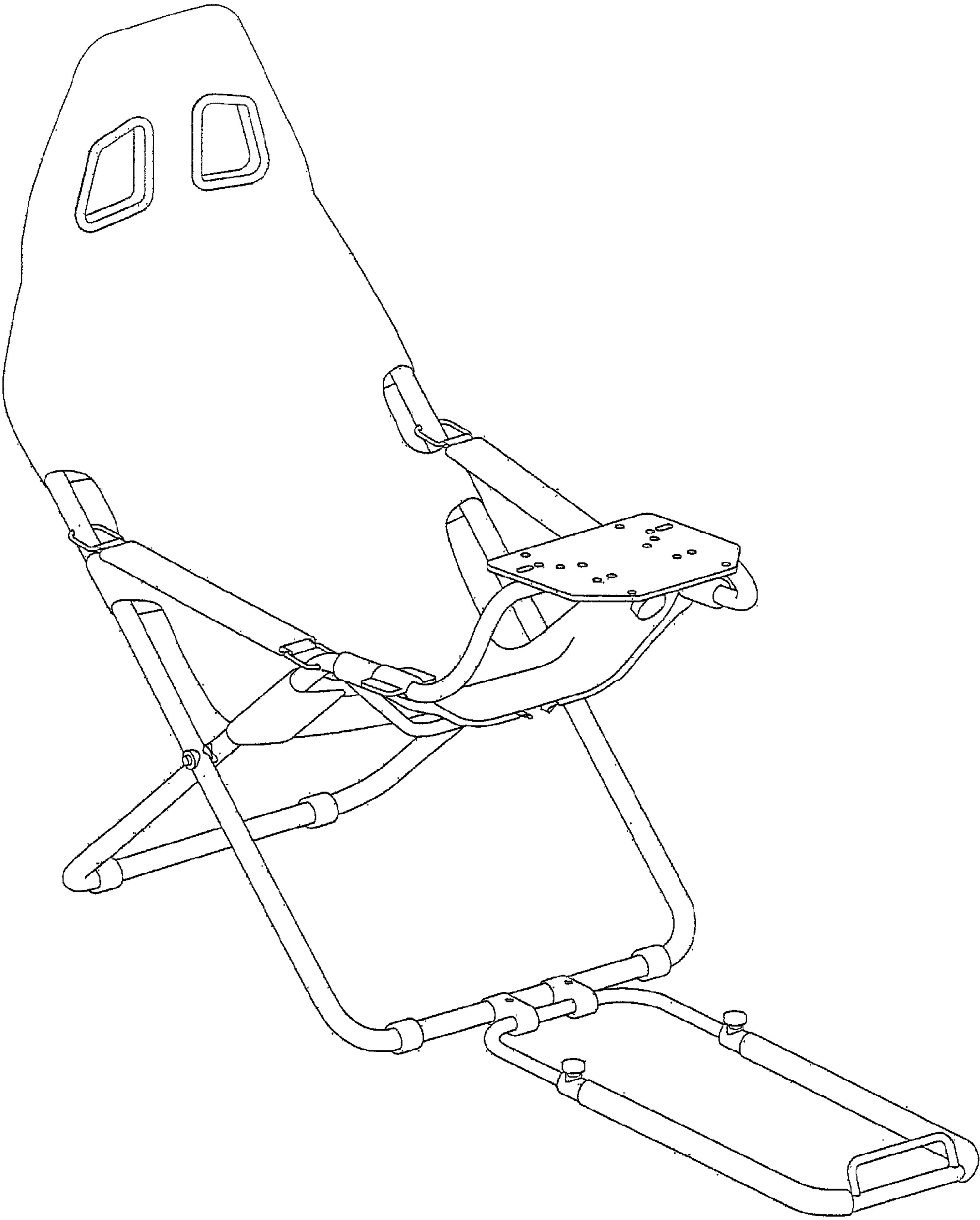


Figure 1

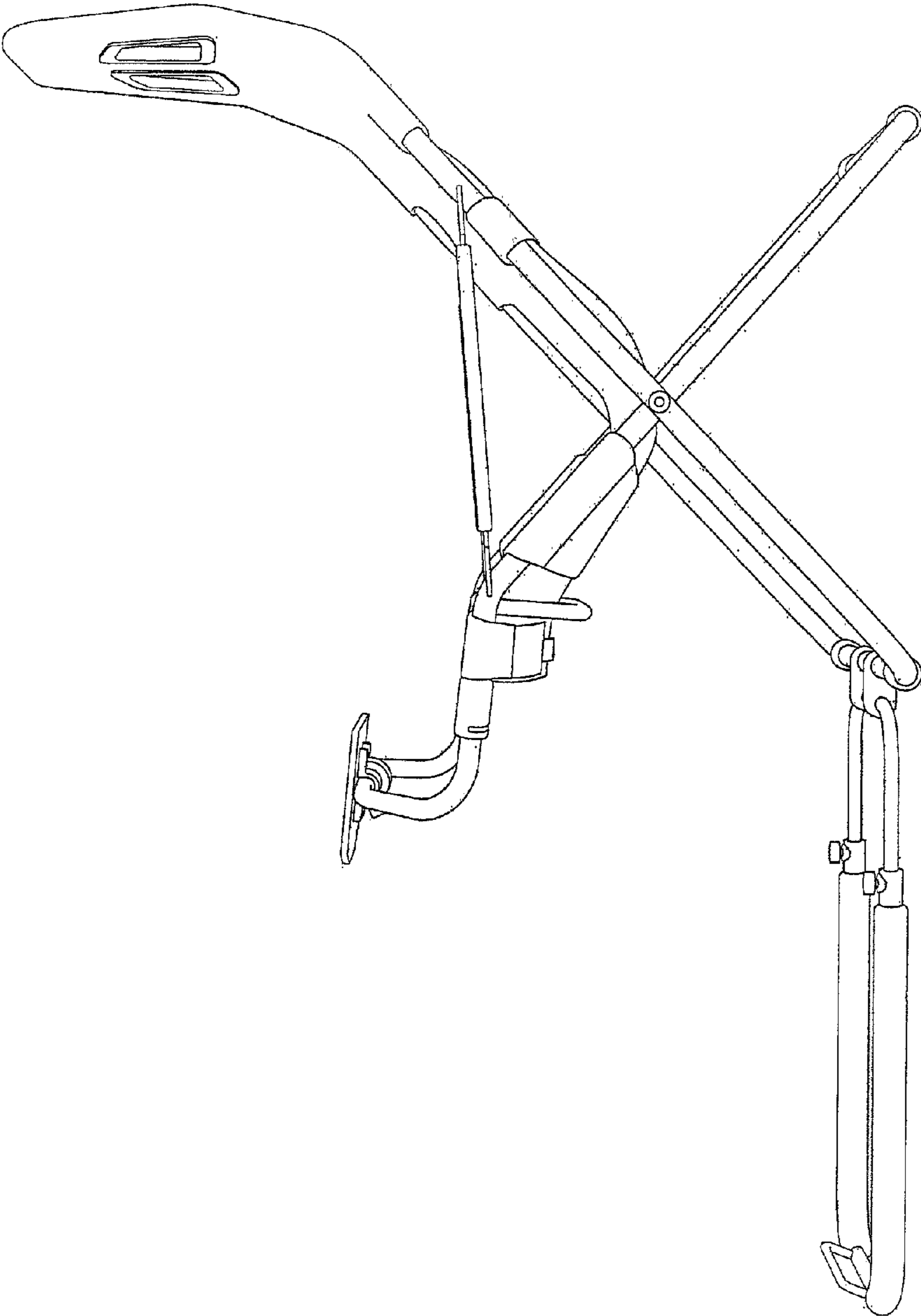


Figure 2

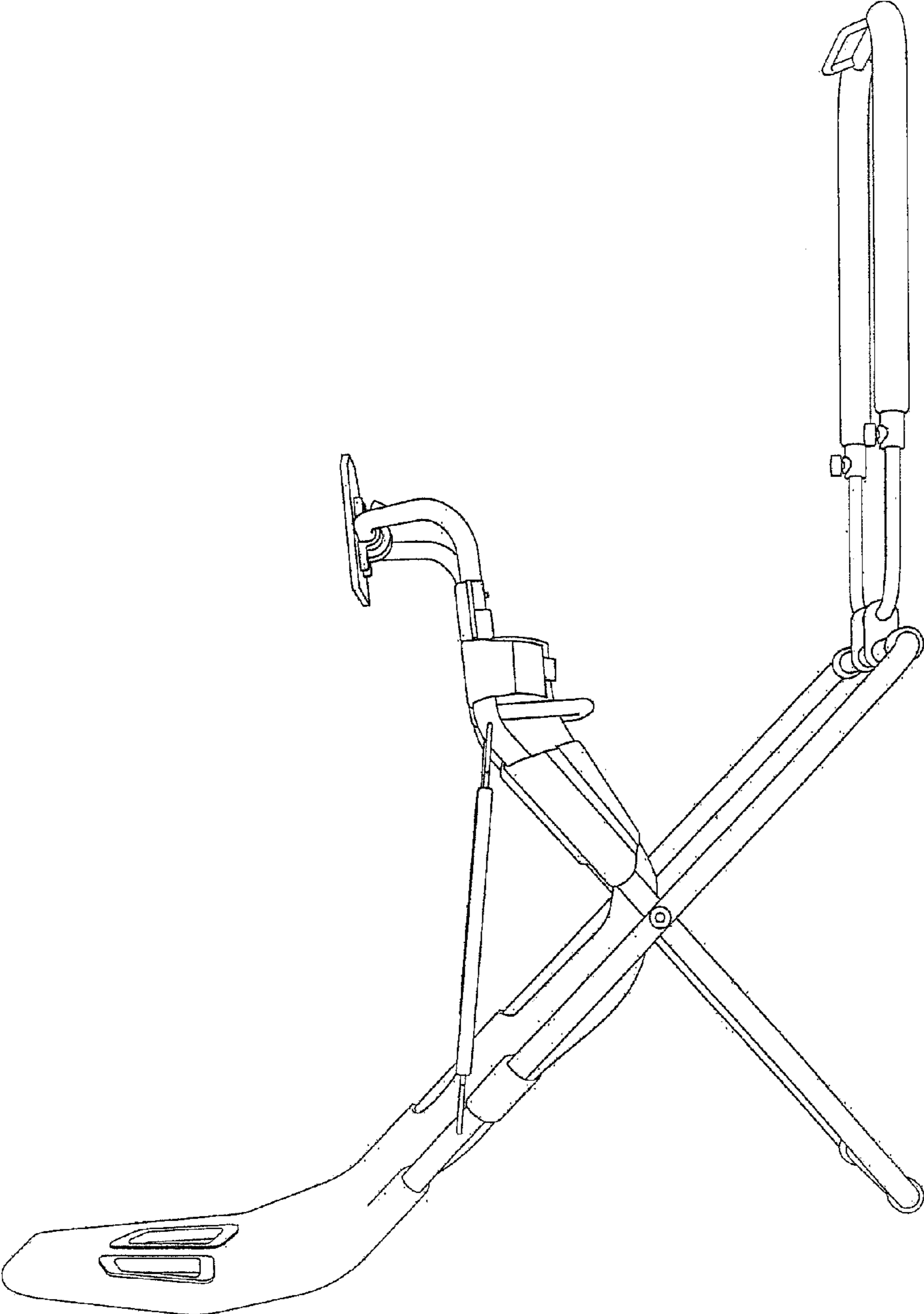


Figure 3

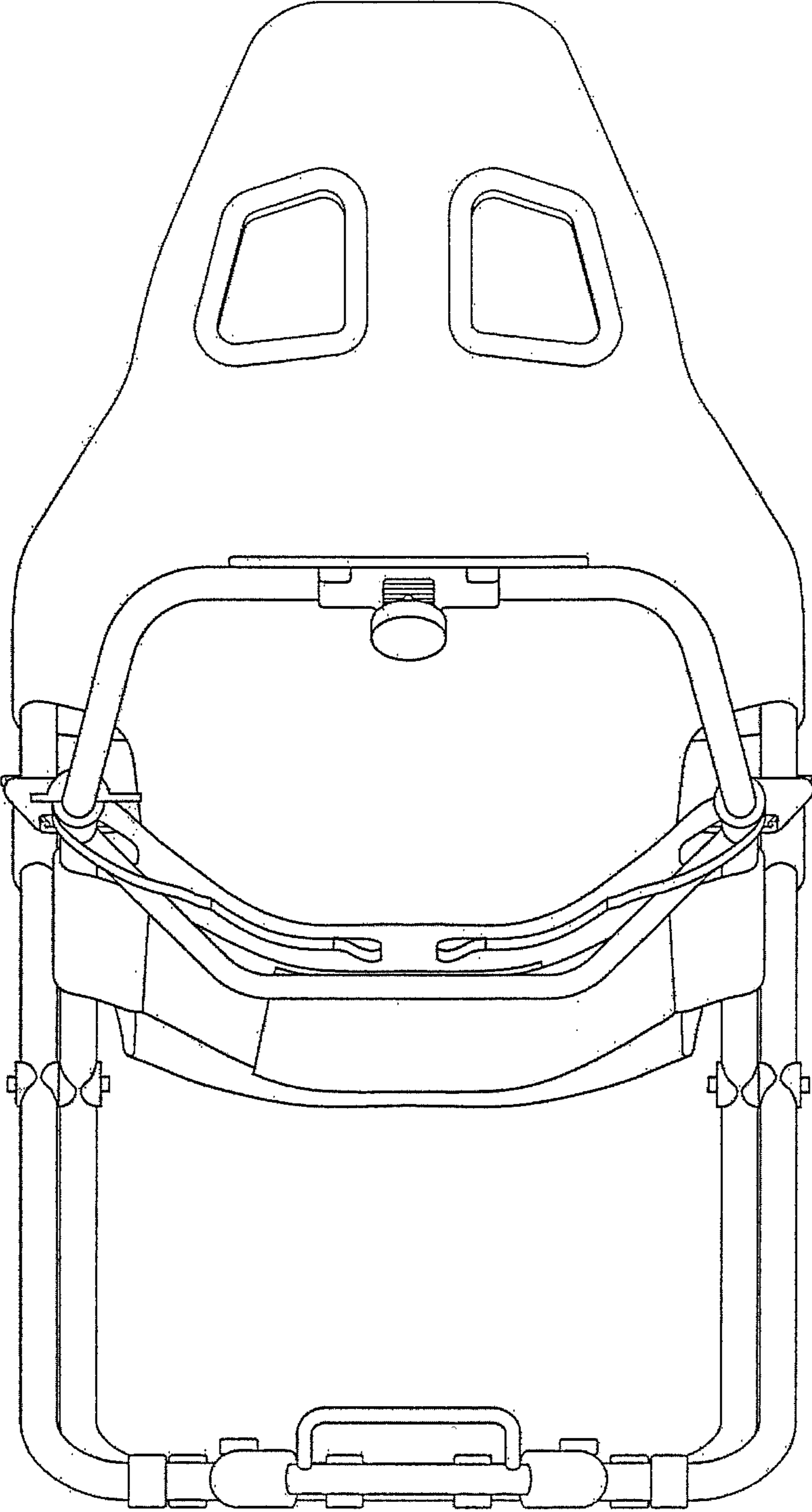


Figure 4

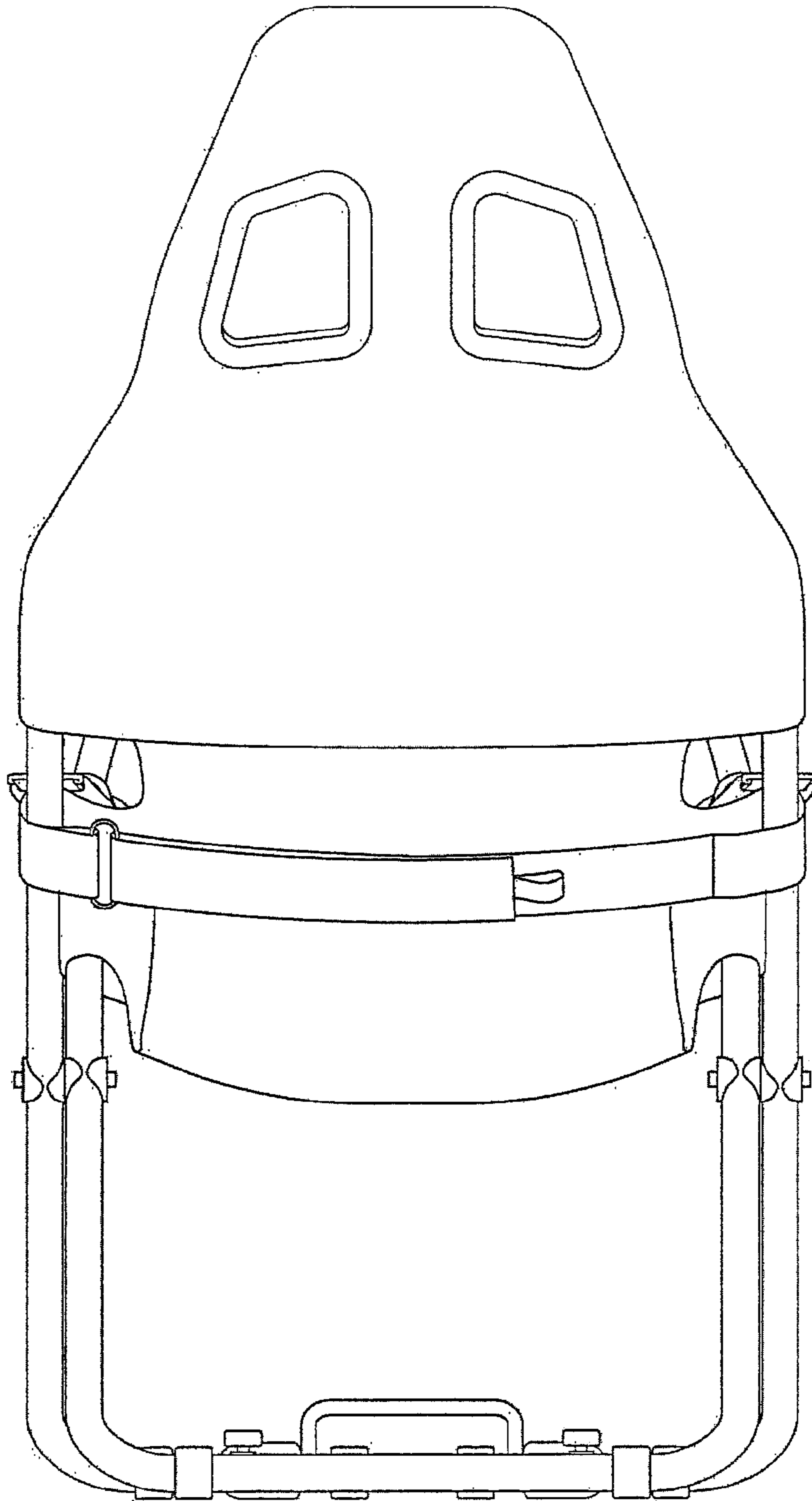


Figure 5

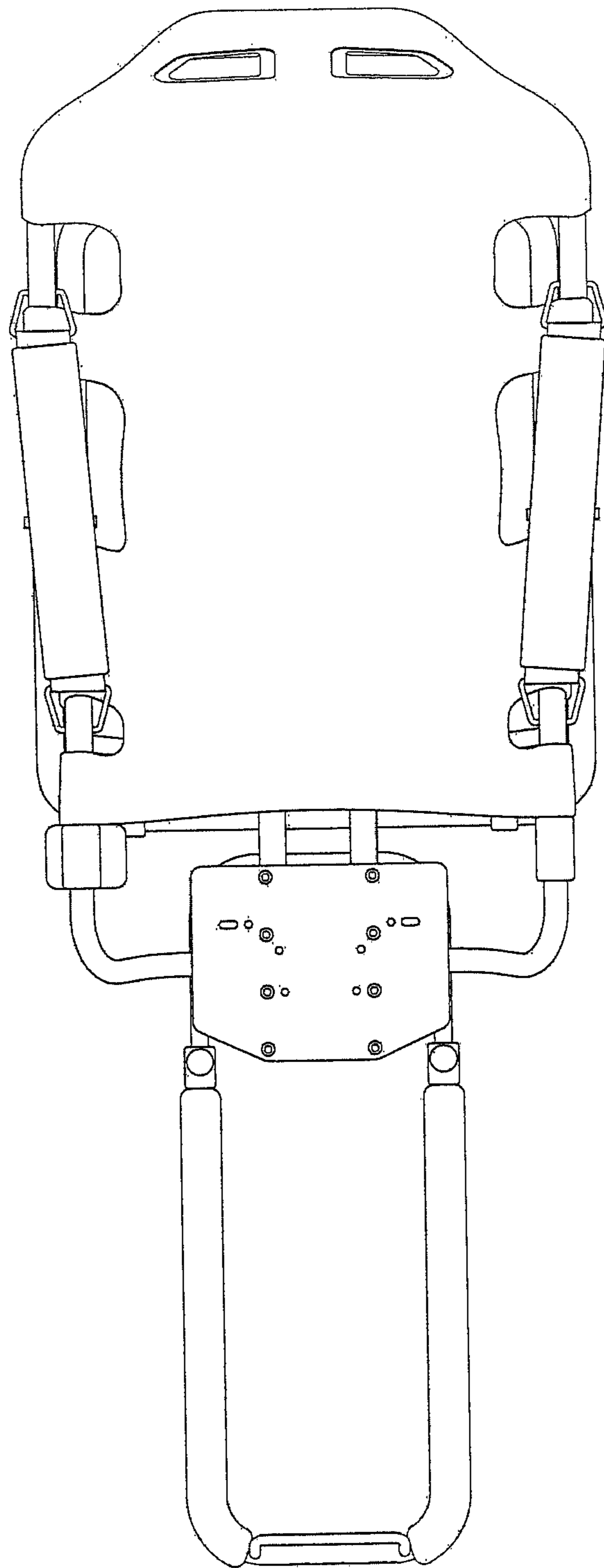


Figure 6

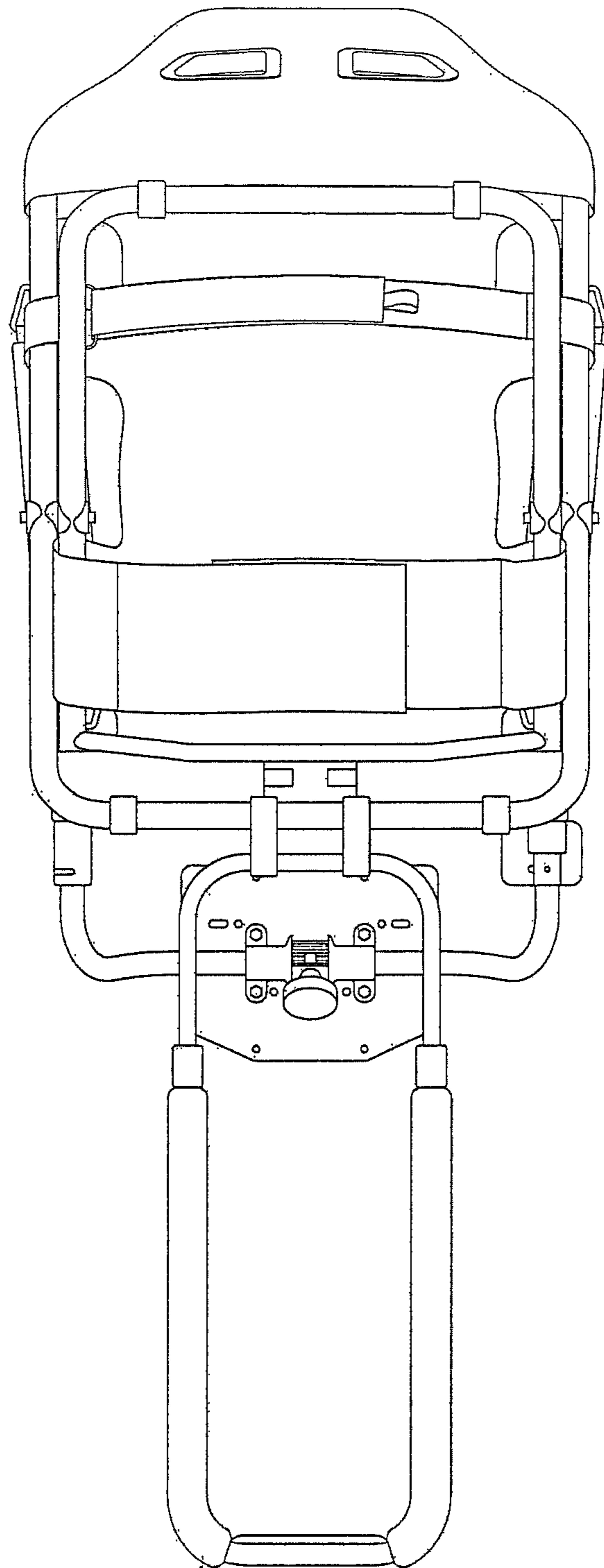


Figure 7