



US00D691821S

(12) **United States Design Patent**  
**Mercieca et al.**

(10) **Patent No.:** **US D691,821 S**  
(45) **Date of Patent:** **\*\* Oct. 22, 2013**

(54) **CHAIR**

(75) Inventors: **Chris Mercieca**, Wetherill Park (AU);  
**Nyein Aung**, Wetherill Park (AU)

(73) Assignee: **Oztent Australia Pty Limited**, Wetherill  
Park, NSW (AU)

(\*\*) Term: **14 Years**

(21) Appl. No.: **29/425,897**

(22) Filed: **Jun. 28, 2012**

(30) **Foreign Application Priority Data**

Mar. 8, 2012 (AU) ..... 11158/2012

(51) **LOC (9) Cl.** ..... **06-01**

(52) **U.S. Cl.**  
USPC ..... **D6/368**

(58) **Field of Classification Search**

USPC ..... D6/334-336, 368, 374, 375, 376, 379,  
D6/380, 716, 716.1, 716.2, 716.3, 716.4;  
297/16.1, 16.2, 45, 46, 55, 56, 57,  
297/411.43, 440.11, 452.12, 452.13,  
297/452.19, 452.56; 248/164

See application file for complete search history.

(56) **References Cited**

U.S. PATENT DOCUMENTS

5,893,605	A *	4/1999	Chang	297/16.2
6,149,238	A *	11/2000	Tsai	297/411.43
6,682,135	B2 *	1/2004	Zheng	297/16.2
6,755,462	B2 *	6/2004	Zheng	297/45
6,779,838	B2 *	8/2004	Chang	297/16.2
6,814,408	B2 *	11/2004	Chen	297/45
D593,759	S *	6/2009	Oliphant	D6/335
D612,624	S *	3/2010	Lovley et al.	D6/368
D651,009	S *	12/2011	Randall	D6/368
2003/0052518	A1 *	3/2003	Zheng	297/16.2
2010/0052371	A1 *	3/2010	Randall	297/16.1
2010/0283295	A1 *	11/2010	Smith et al.	297/16.2

\* cited by examiner

*Primary Examiner* — Mimoso De

(74) *Attorney, Agent, or Firm* — Dority & Manning, P.A.

(57) **CLAIM**

The ornamental design for a chair, as shown and described.

**DESCRIPTION**

FIG. 1 is a rear perspective view of the chair according to the present design.

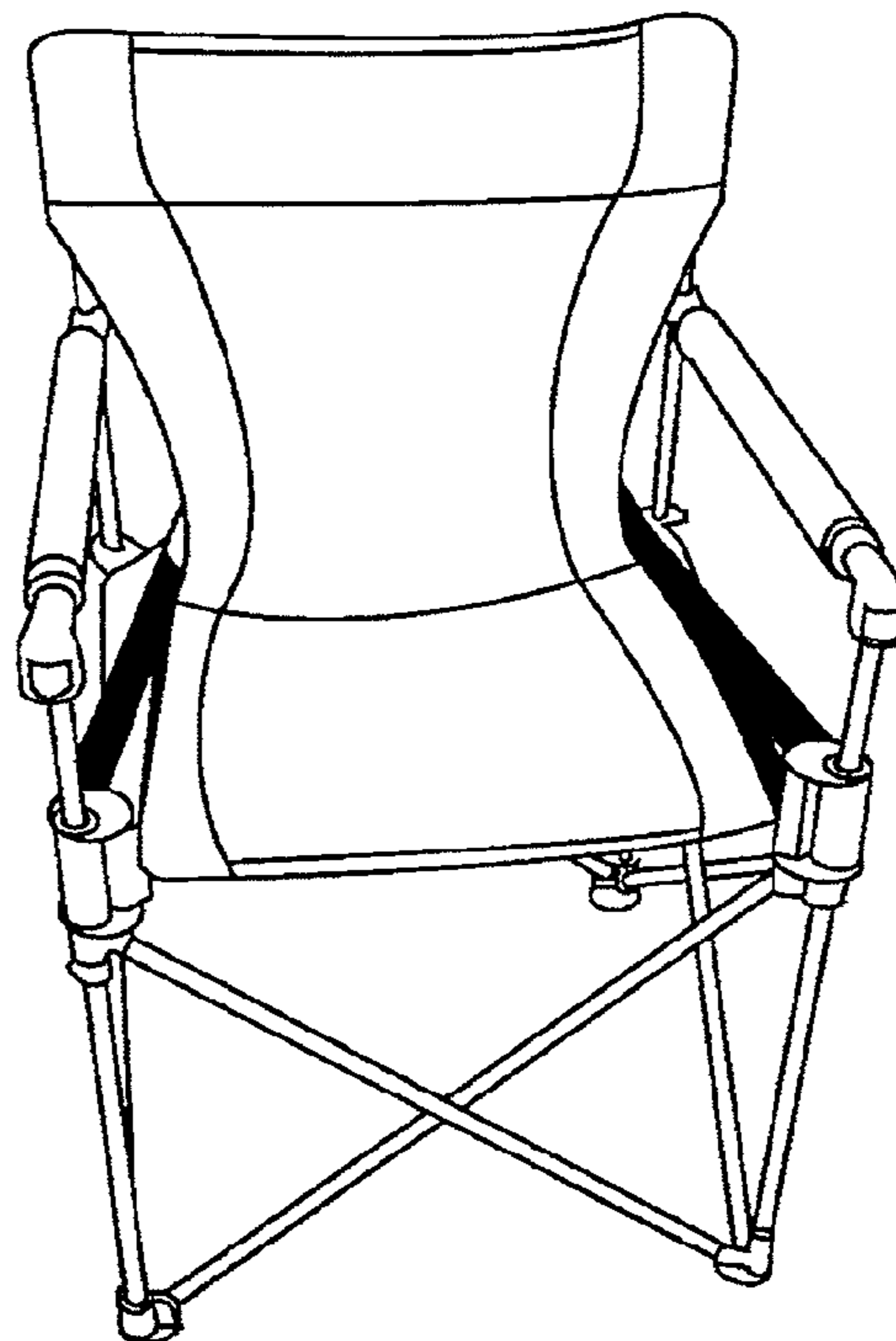
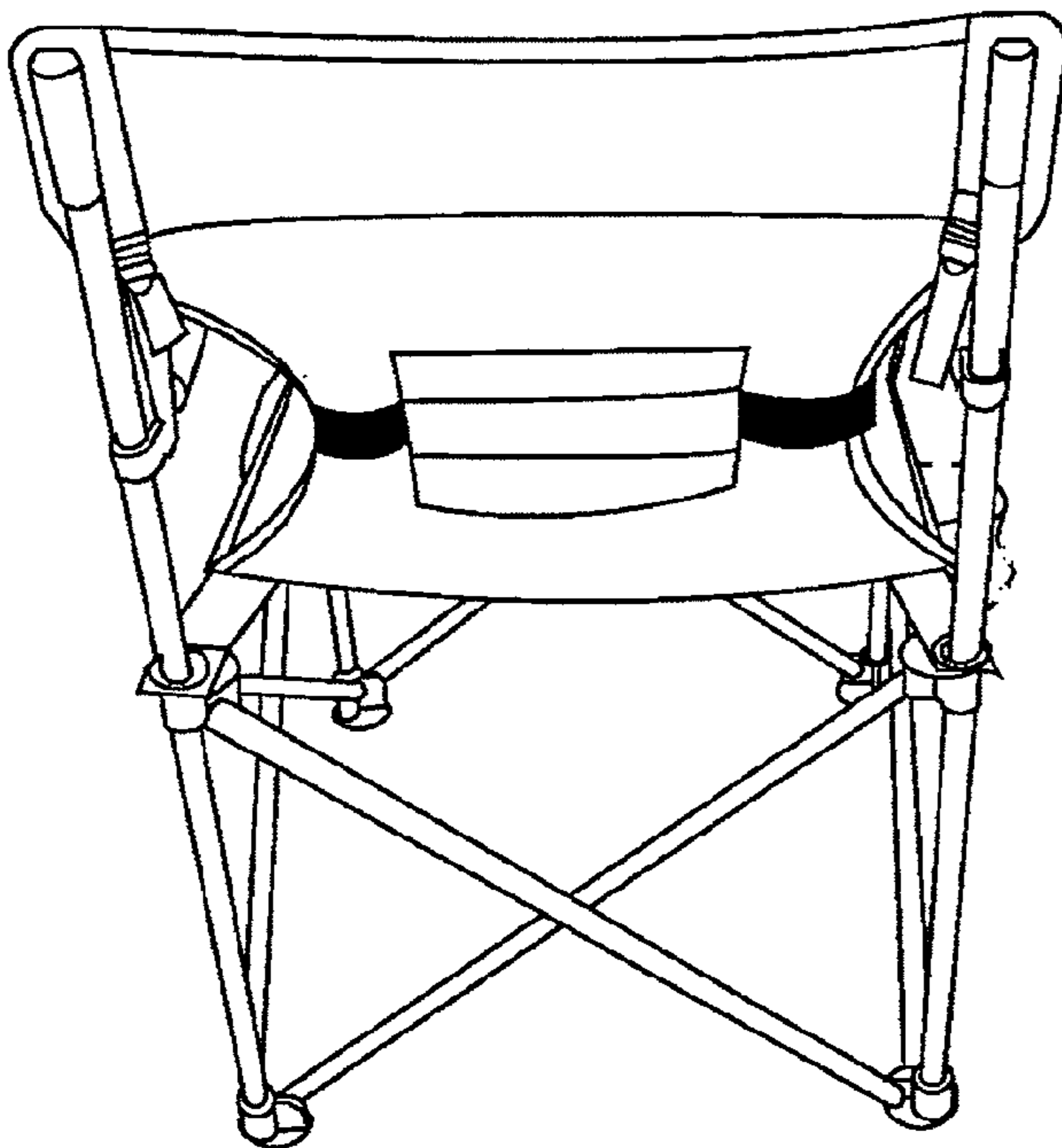
FIG. 2 is a front perspective view of the chair according to the present design.

FIG. 3 is a right perspective view of the chair according to the present design; and,

FIG. 4 is an enlarged elevated side portion of FIG. 3.

The broken lines shown in FIG. 3 are for illustrative purposes only and form no part of the claimed design.

**1 Claim, 2 Drawing Sheets**



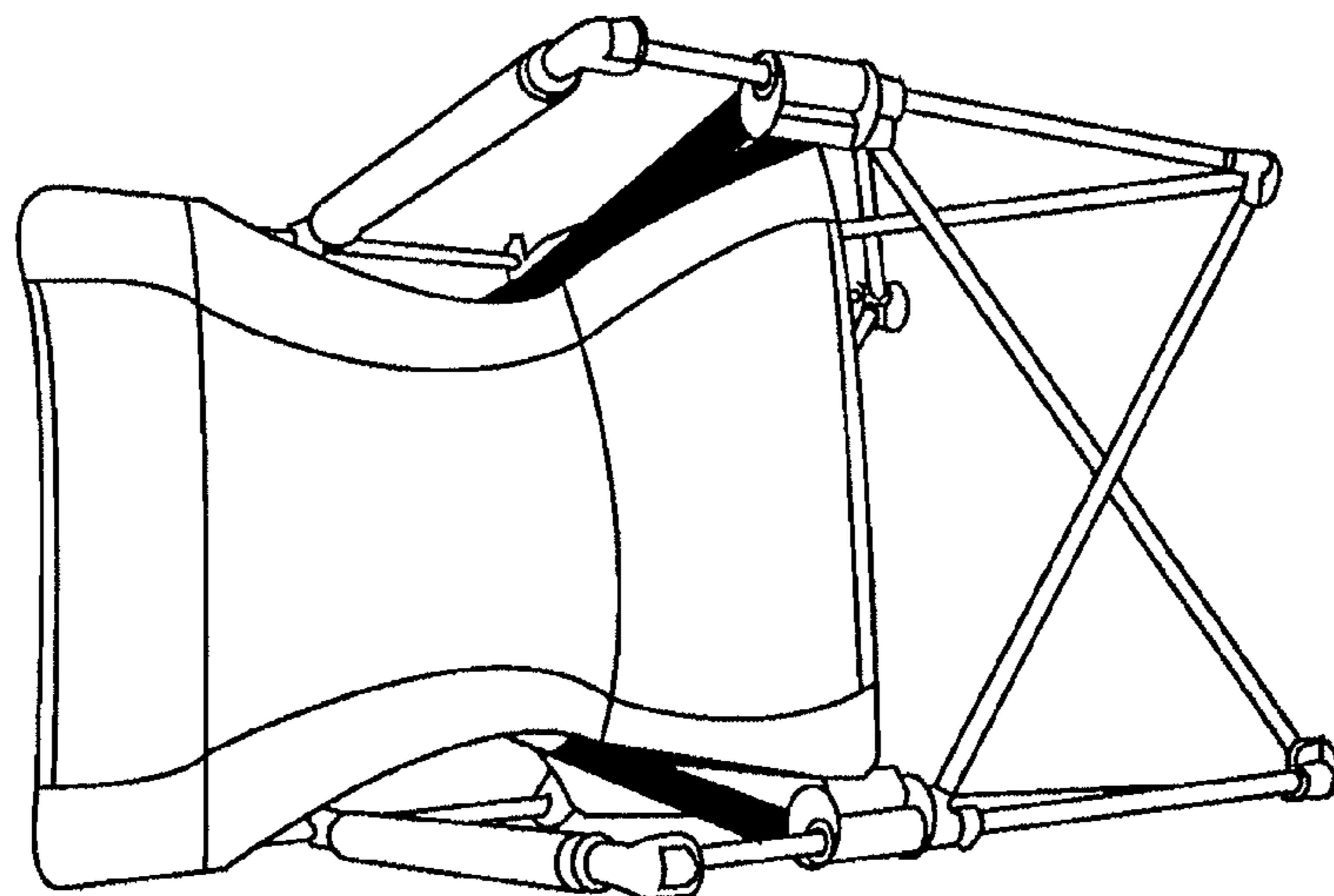


FIG. 2

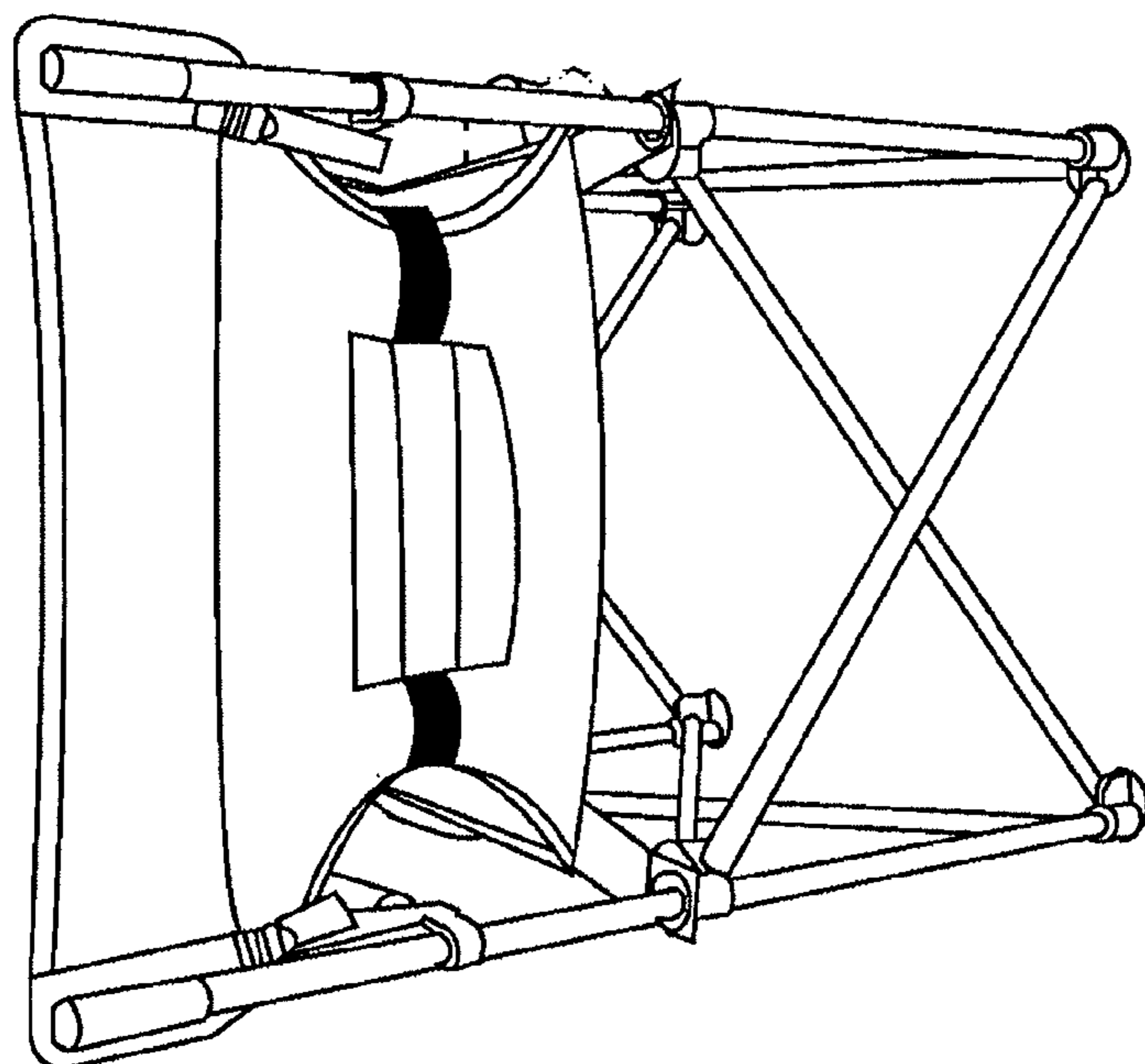


FIG. 1

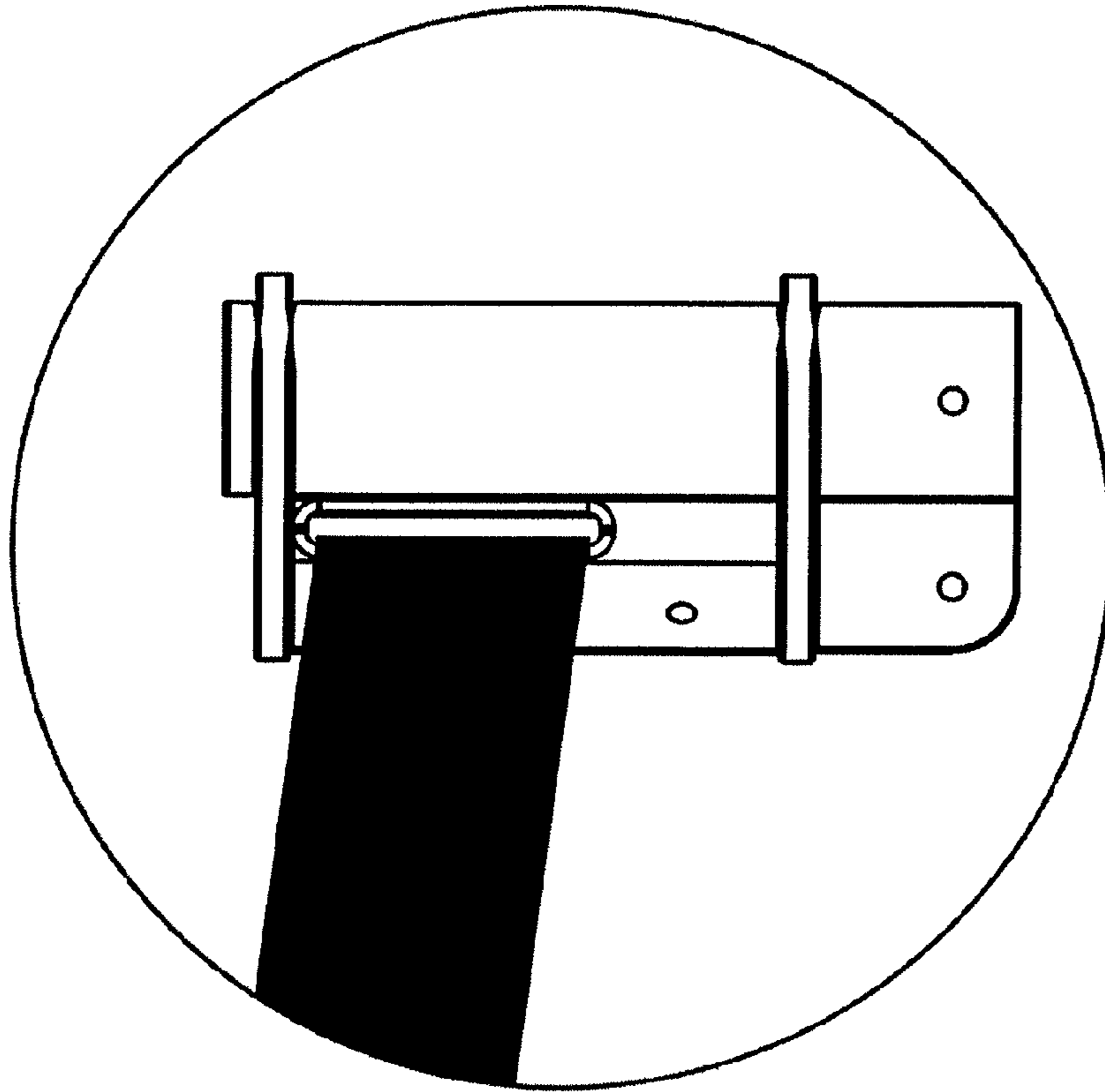


FIG. 4

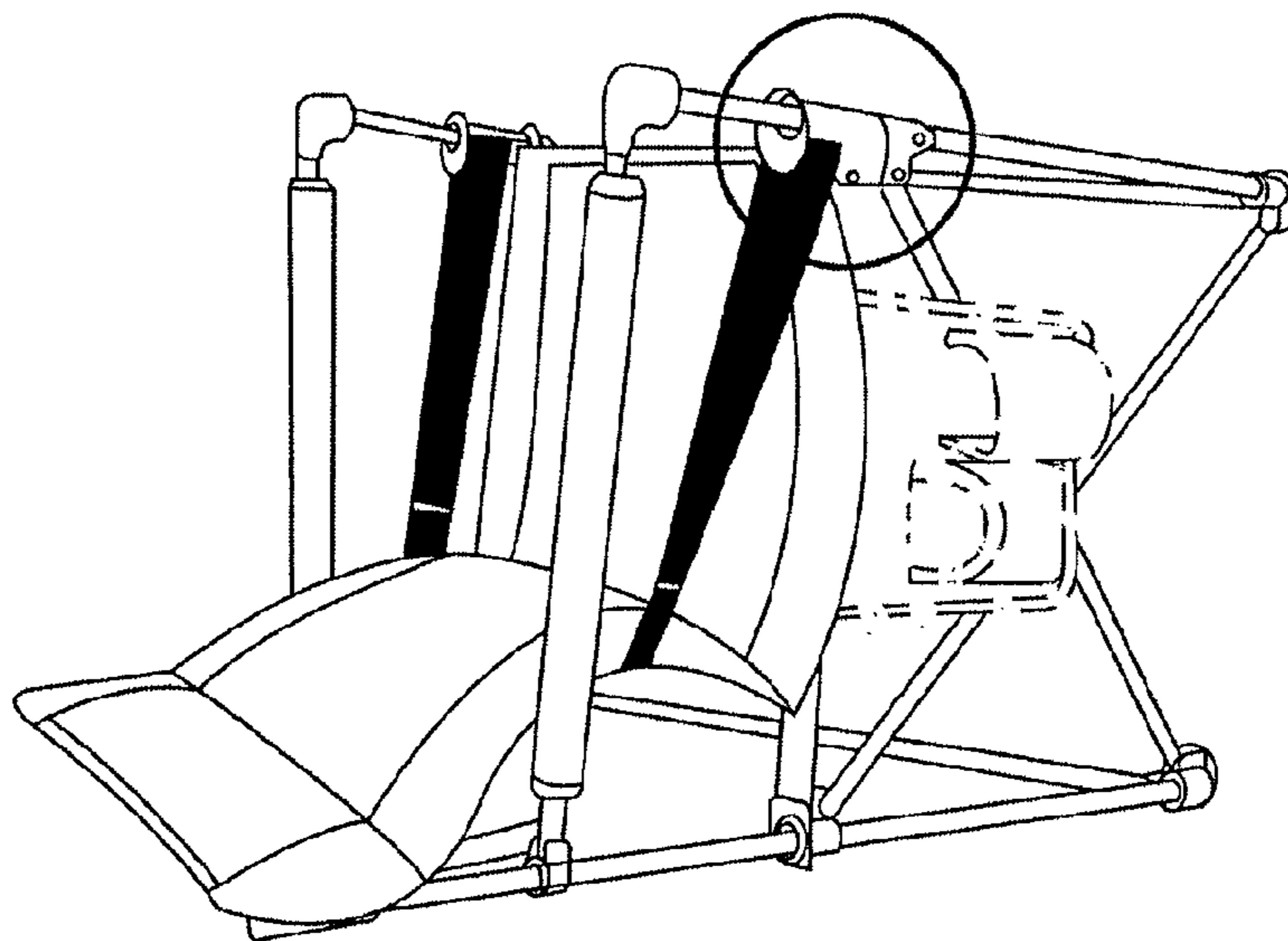


FIG. 3