



US00D691819S

(12) **United States Design Patent**  
**Kittilsen et al.**

(10) **Patent No.:** **US D691,819 S**  
(45) **Date of Patent:** **\*\* Oct. 22, 2013**

(54) **CHAIR WITH FOOTREST AND BABY KIT**

D106,220 S \* 9/1937 Scribner ..... D6/339  
D131,679 S \* 3/1942 Greenbaum ..... D6/339  
3,335,434 A 8/1967 Gamon

(71) Applicant: **Stokke AS**, Skodje (NO)

(Continued)

(72) Inventors: **Anders August Kittilsen**, Alesund (NO);  
**Tore Vinje Brustad**, Oslo (NO);  
**Andreas Murray**, Oslo (NO)

FOREIGN PATENT DOCUMENTS

(73) Assignee: **Stokke AS** (NO)

DE 9312828 U1 11/1993  
DE 4329692 C2 11/1998

(Continued)

(\*\*) Term: **14 Years**

*Primary Examiner* — Caron D Veynar  
*Assistant Examiner* — Abraham Bahta

(21) Appl. No.: **29/432,991**

(74) *Attorney, Agent, or Firm* — Kolisch Hartwell, P.C.

(22) Filed: **Sep. 24, 2012**

(57) **CLAIM**

We claim the ornamental design for a chair with footrest and baby kit, as shown and described.

(30) **Foreign Application Priority Data**

**DESCRIPTION**

Mar. 22, 2012 (NO) ..... 20120244

(51) **LOC (9) Cl.** ..... **06-01**

(52) **U.S. Cl.**  
USPC ..... **D6/339**

(58) **Field of Classification Search**

USPC ..... D6/334–336, 338–339, 491, 333, 716,  
D6/716.1–716.7; D12/129; D21/412, 419;  
280/30–31; 5/94, 98.1, 99.1, 101, 105,  
5/655; 297/183.1–183.4, 184.13, 184.15,  
297/184.17, 250.1, 256.1, 255, 256.15,  
297/256.16, 174 R, 174 CS, 170–173, 136,  
297/148, 27, 61, 68; 4/572.1

See application file for complete search history.

(56) **References Cited**

U.S. PATENT DOCUMENTS

132,762 A 11/1872 Haupt  
375,471 A 12/1887 Binder  
769,495 A 9/1904 Schroeder  
1,178,894 A 4/1916 Wilcox  
2,008,392 A 7/1935 Heller

FIG. 1 is an upper-right perspective view of a chair with footrest and baby kit according to an embodiment of the invention.

FIG. 2 is a lower-left perspective view of the embodiment of FIG. 1.

FIG. 3 is a top plan view of the embodiment of FIG. 1.

FIG. 4 is a bottom plan view of the embodiment of FIG. 1.

FIG. 5 is a left side elevation view of the embodiment of FIG. 1.

FIG. 6 is a right side elevation view of the embodiment of FIG. 1.

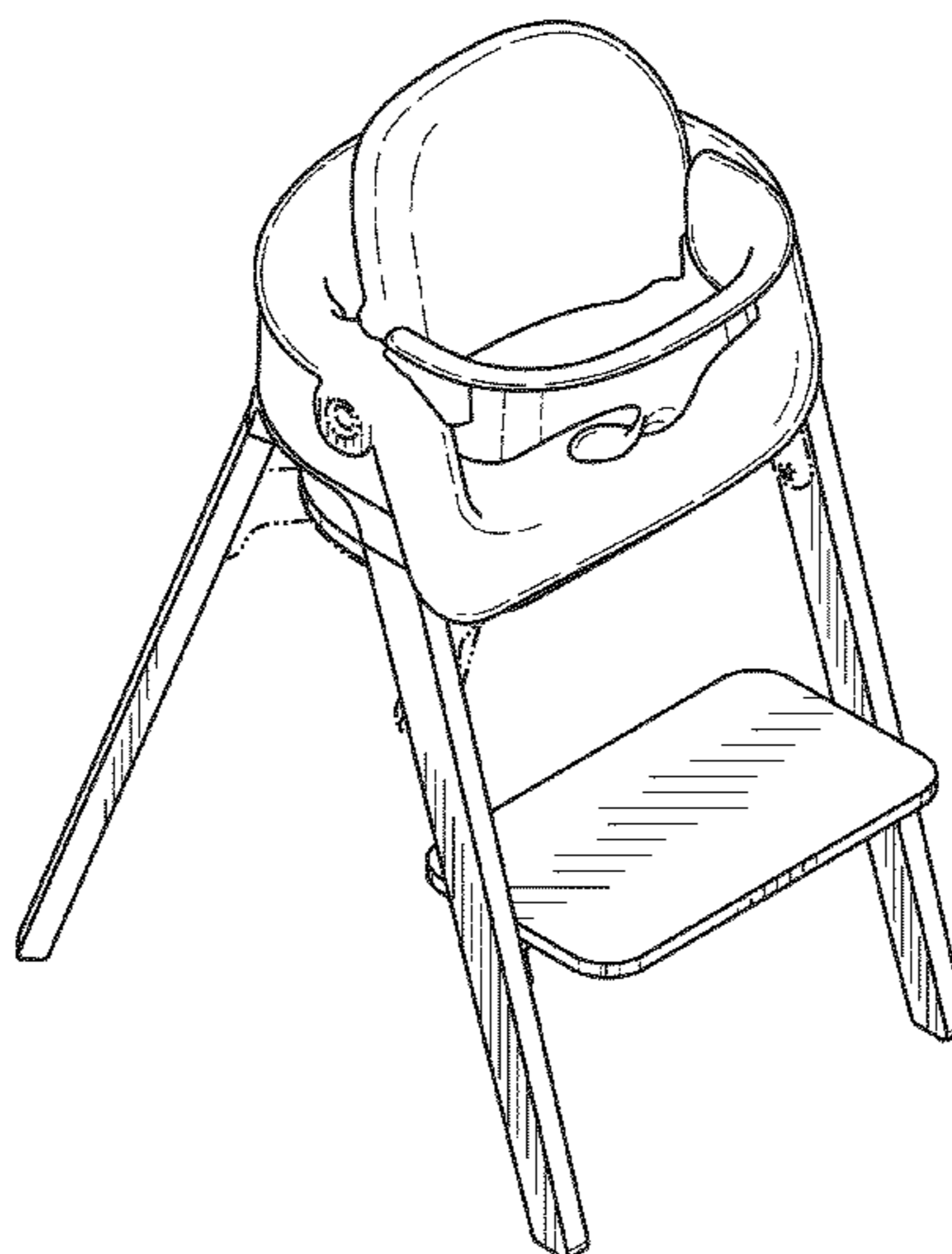
FIG. 7 is a front elevation view of the embodiment of FIG. 1; and,

FIG. 8 is a rear elevation view of the embodiment of FIG. 1.

The stippling and shading lines shown in the drawings represent the approximate three-dimensional contour of the design, and are not intended to indicate surface decoration.

The unclaimed environment is represented by thick, evenly spaced, dash-dot-dot-dash lines, and forms no part of the claimed design.

**1 Claim, 4 Drawing Sheets**



(56)

References Cited

U.S. PATENT DOCUMENTS

D227,828	S	7/1973	Heyl	
4,650,246	A	3/1987	Henriksson	
D294,429	S	3/1988	Vasquez	
4,747,526	A	5/1988	Launes	
D298,388	S	11/1988	Wise et al.	
D308,656	S	6/1990	Takahashi et al.	
5,317,765	A	6/1994	Knoedler et al.	
5,334,099	A	8/1994	Marra et al.	
D356,447	S	3/1995	Peters	
5,438,043	A	8/1995	Ljungqvist	
D362,554	S	9/1995	Grundner	
D365,449	S	12/1995	Wood	
D367,181	S	2/1996	Peters	
D381,817	S	8/1997	Cone, II	
D381,818	S	8/1997	Wood	
5,687,433	A	11/1997	Garner et al.	
5,730,493	A	3/1998	Fornasari et al.	
5,810,432	A	9/1998	Haut et al.	
5,860,696	A	1/1999	Opsvik et al.	
5,927,805	A	7/1999	Hilger et al.	
6,024,412	A	2/2000	Kain et al.	
D426,965	S *	6/2000	Wu	D6/339
D428,715	S *	8/2000	Brevi	D6/339
D432,798	S *	10/2000	Boney	D6/339
6,416,132	B1	7/2002	Norton et al.	
D478,219	S *	8/2003	Greger	D6/339
6,626,487	B1	9/2003	Buitendach	
D493,020	S	7/2004	Resfum	
D499,990	S	12/2004	Refsum et al.	
D503,546	S	4/2005	Oxseth	

D505,366	S	5/2005	Refsum et al.	
D510,716	S	10/2005	Refsum et al.	
D519,258	S	4/2006	Resfum	
D522,210	S	5/2006	Resfum	
D525,423	S	7/2006	Oxseth	
D526,601	S	8/2006	Oxseth	
D546,081	S *	7/2007	Babikian et al.	D6/339
D566,014	S	4/2008	Myers	
D576,084	S	9/2008	Dotsey et al.	
D590,608	S	4/2009	Ebina	
D599,143	S	9/2009	Opsvik	
D603,175	S *	11/2009	Jacobs et al.	D6/339
D614,893	S	5/2010	Opsvik	
D631,402	S	1/2011	Bagwell et al.	
D641,180	S *	7/2011	Kennedy et al.	D6/339
7,992,935	B2	8/2011	Opsvik	
D651,139	S	12/2011	Angelfoss et al.	
D654,409	S	2/2012	Angelfoss et al.	
8,152,239	B2	4/2012	Opsvik	
D663,539	S *	7/2012	Chuah	D6/339
D668,068	S *	10/2012	Chuah	D6/339
D679,915	S *	4/2013	Sturmey	D6/339

FOREIGN PATENT DOCUMENTS

DE	10202735	A1	8/2003
DE	10229436	A1	1/2004
EP	0182761	B1	4/1988
EP	1388311	A1	2/2004
FR	2856564	B3	10/2005
WO	W09530360	A1	11/1995

\* cited by examiner

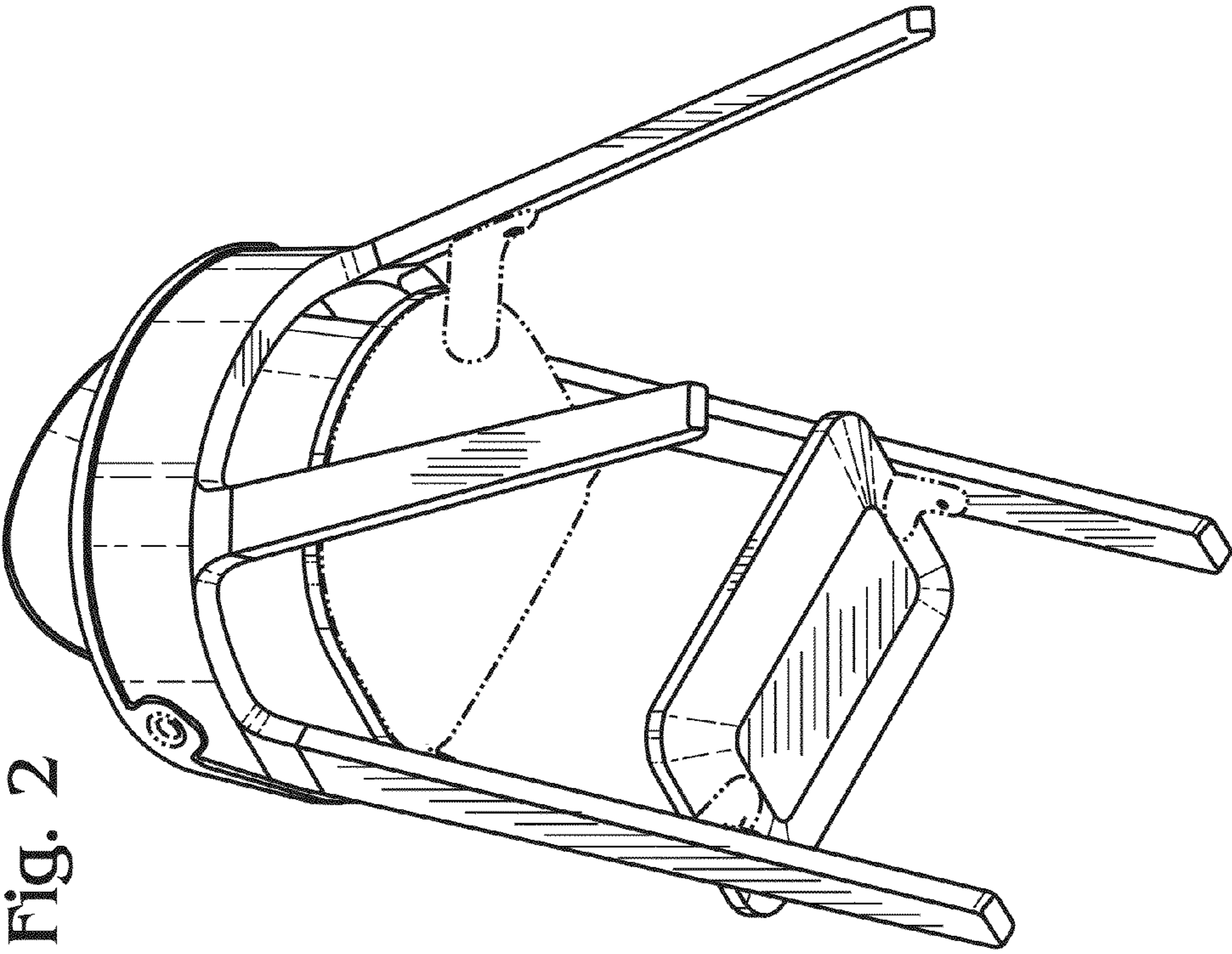


Fig. 2

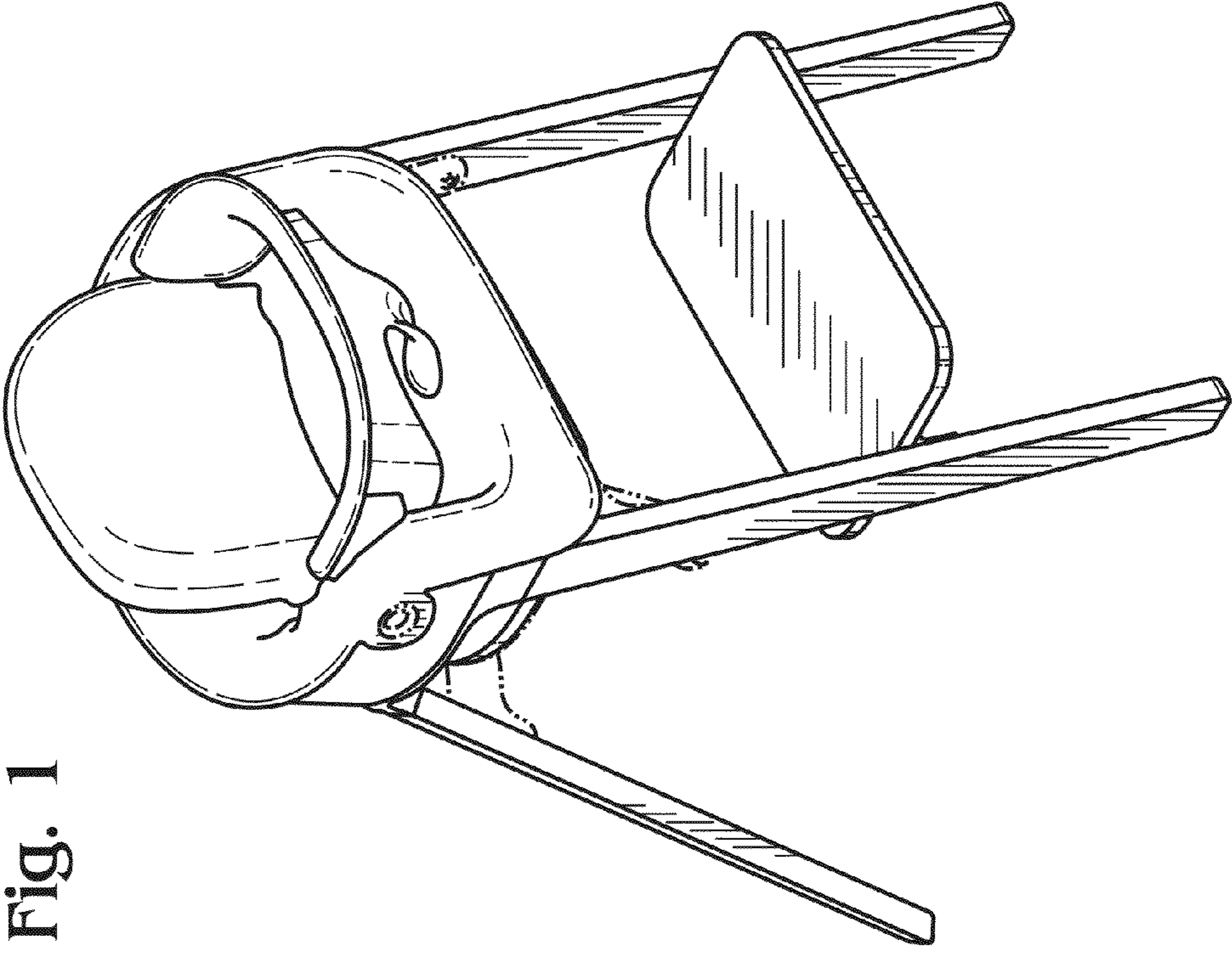


Fig. 1

Fig. 3

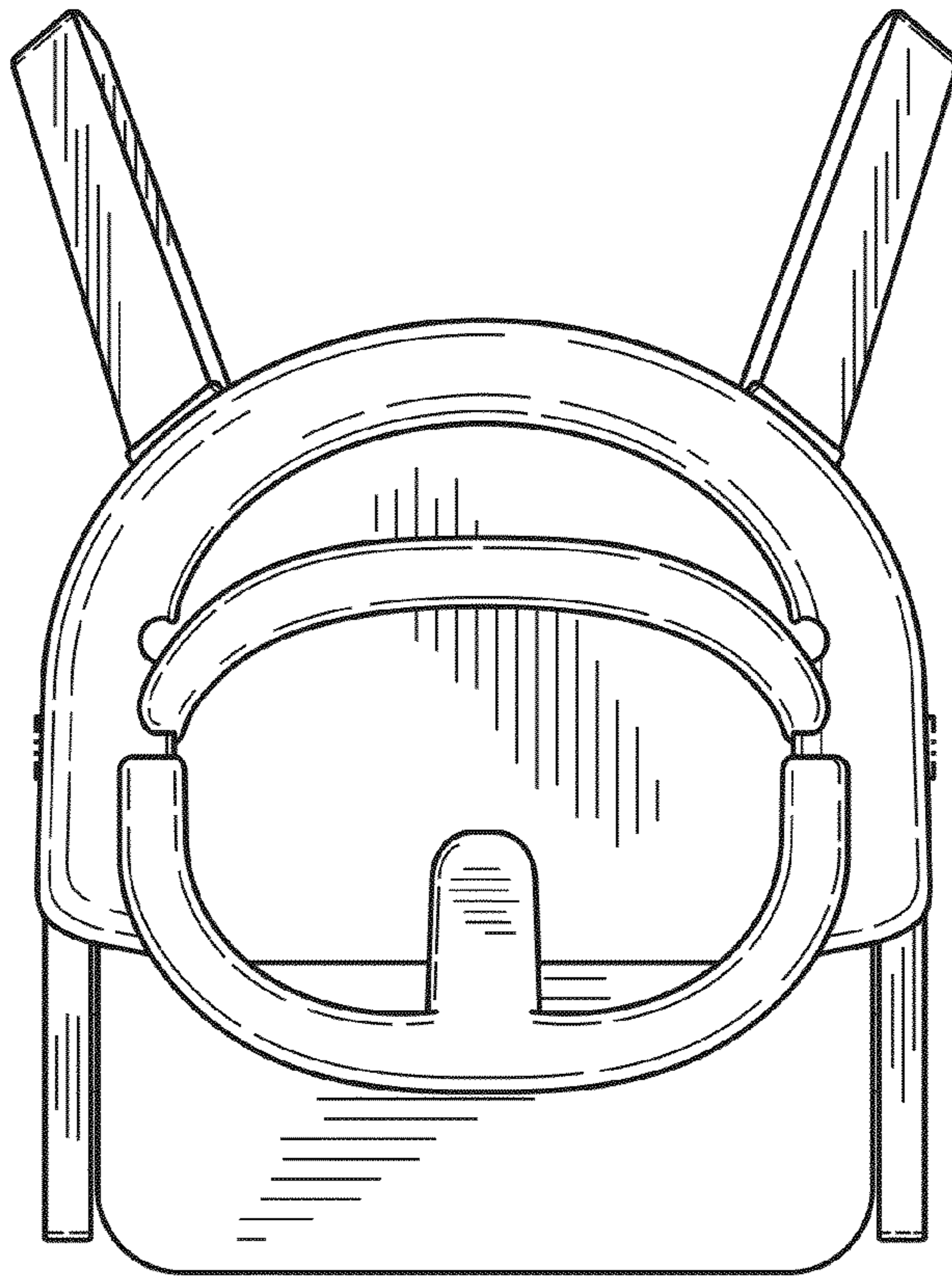
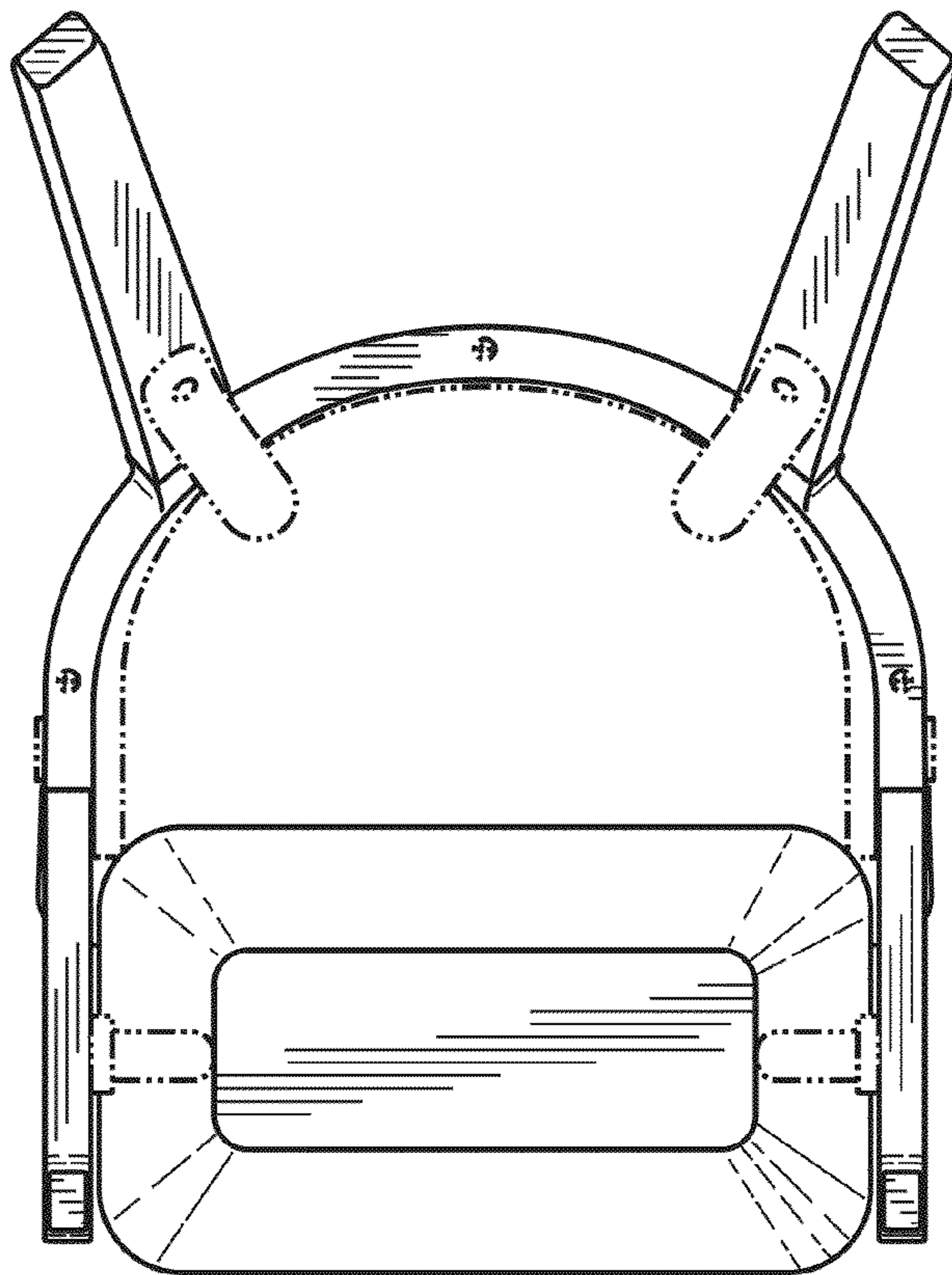


Fig. 4



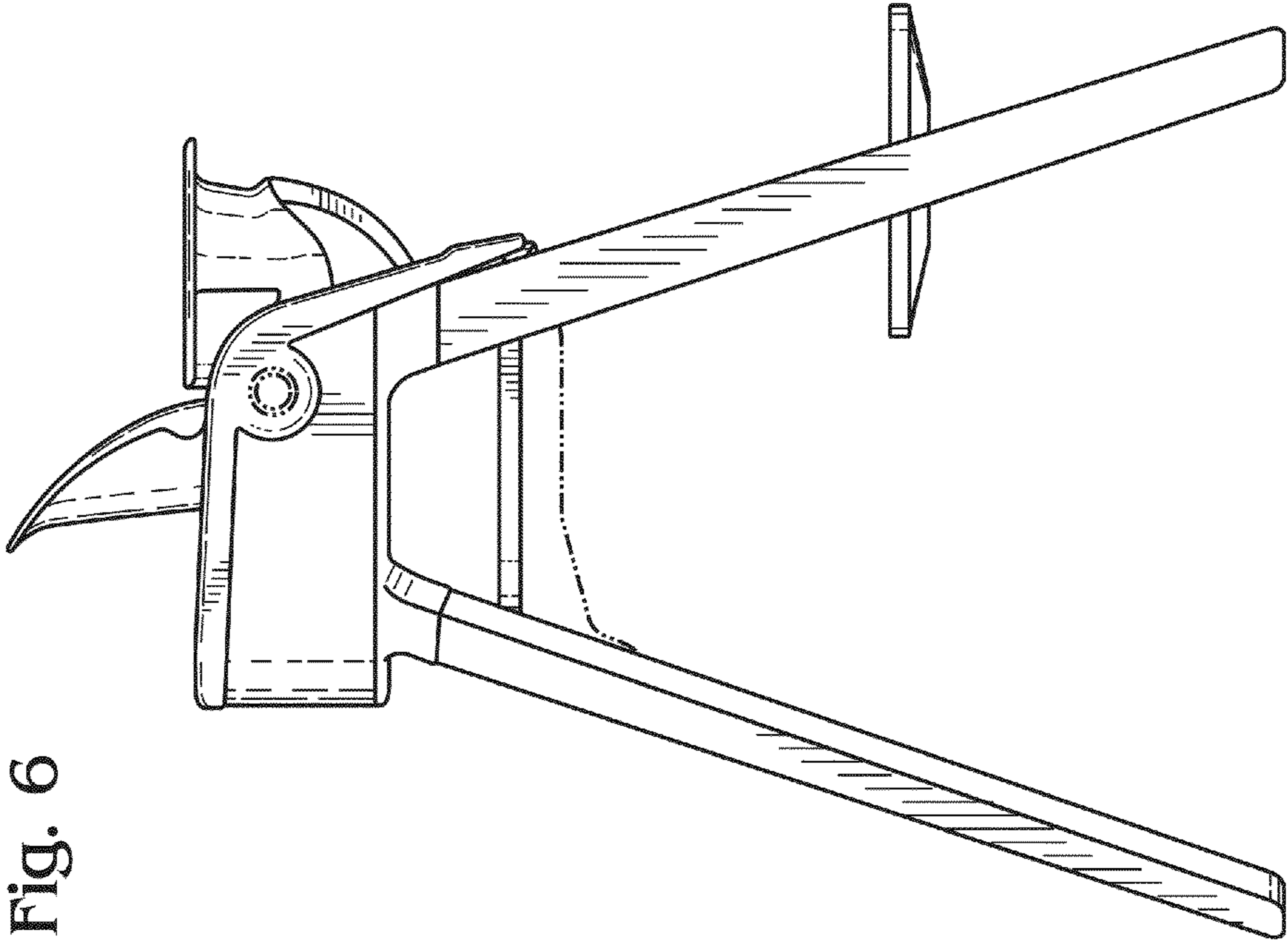


Fig. 6

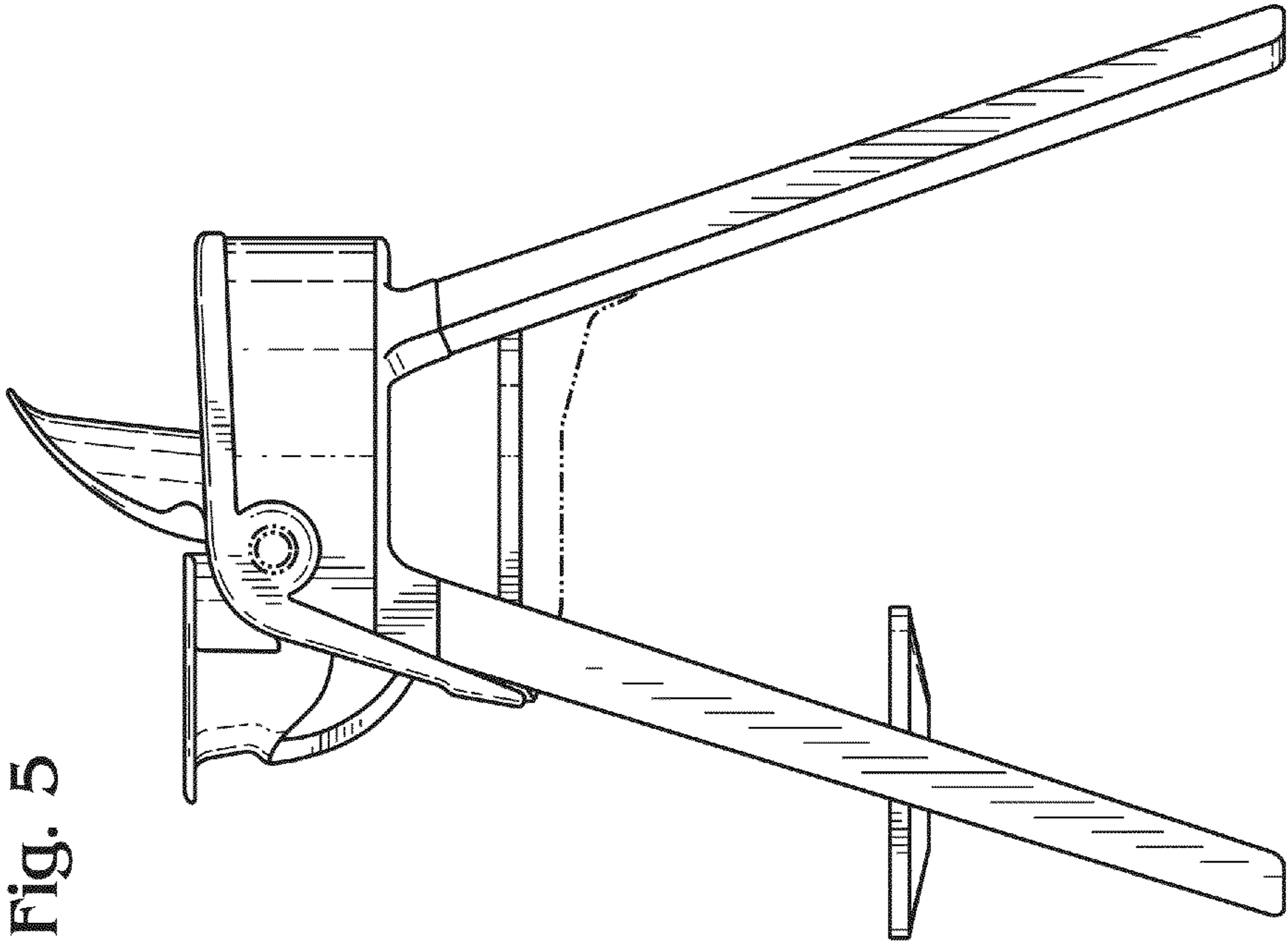


Fig. 5

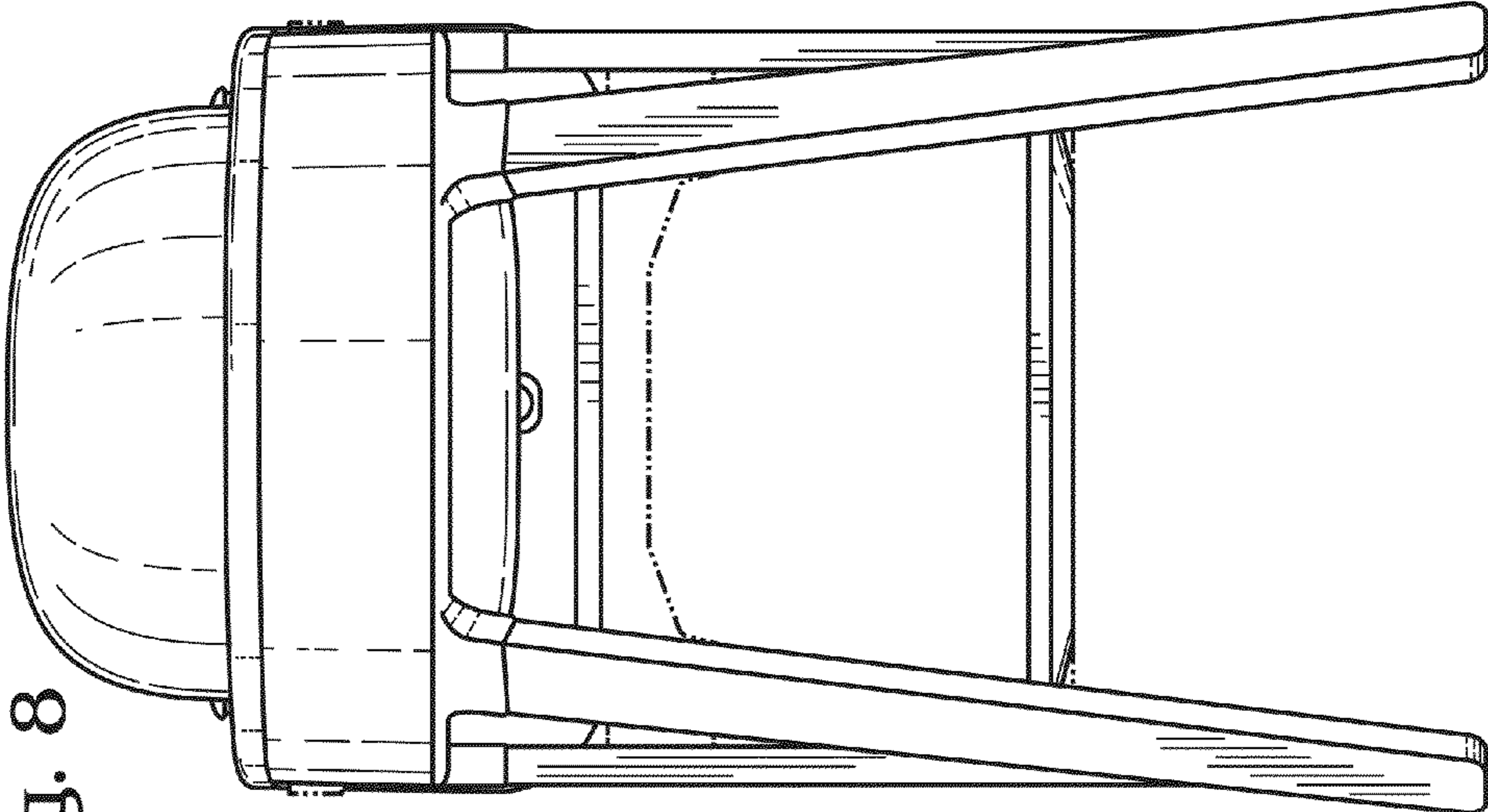


Fig. 8

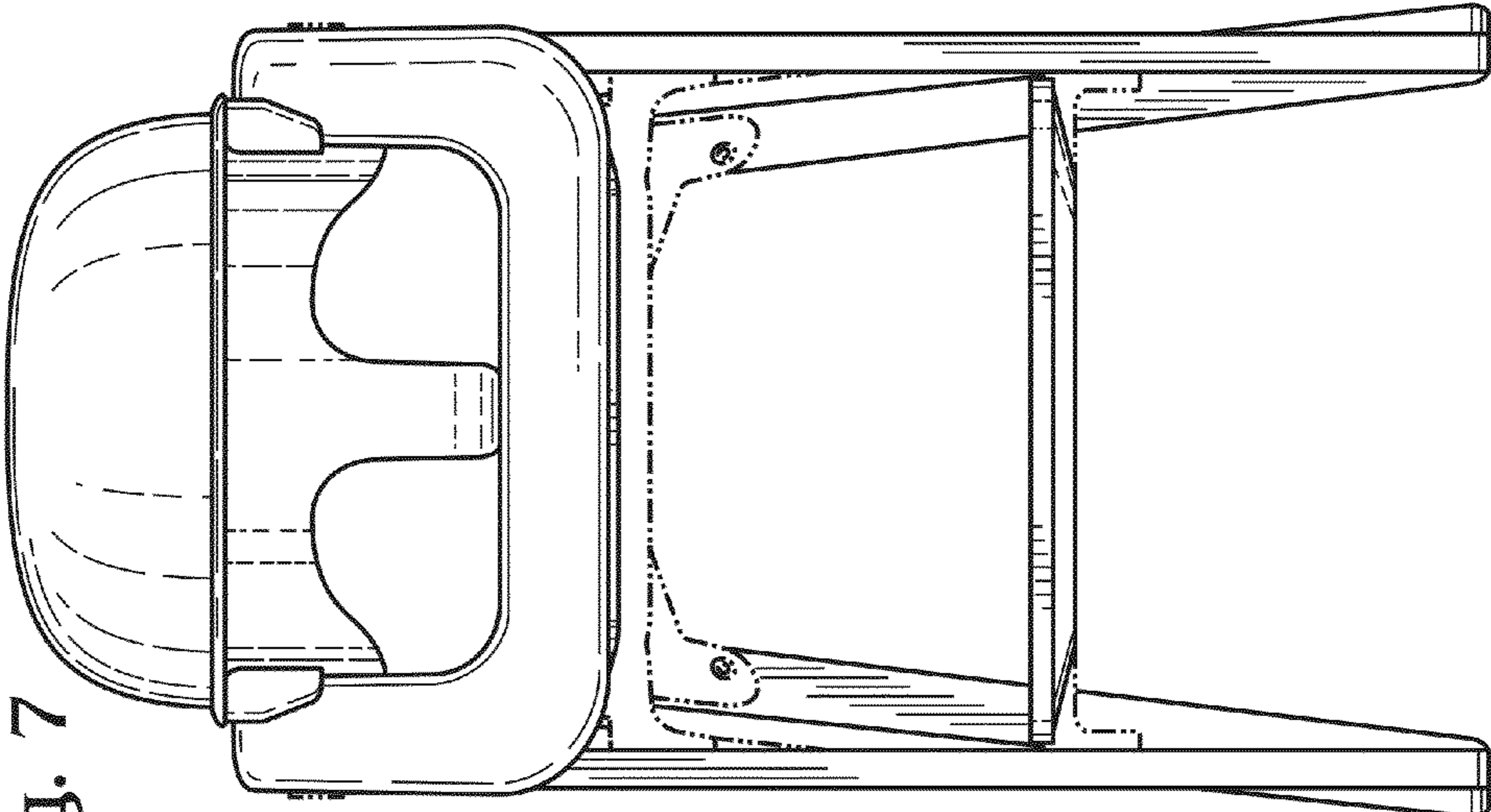


Fig. 7