



US00D691811S

(12) **United States Design Patent**
Veres

(10) **Patent No.:** **US D691,811 S**

(45) **Date of Patent:** **** Oct. 22, 2013**

- (54) **HOCKEY STICK BRUSH**
- (71) Applicant: **CaddyPro Golf Products Inc.,**
Edmonton (CA)
- (72) Inventor: **David James Veres,** Calgary (CA)
- (73) Assignee: **CaddyPro Golf Products Inc.,**
Edmonton (CA)
- (**) Term: **14 Years**
- (21) Appl. No.: **29/445,688**
- (22) Filed: **Feb. 14, 2013**
- (30) **Foreign Application Priority Data**

Aug. 15, 2012 (CA) 146987

- (51) **LOC (9) Cl.** **04-01**
- (52) **U.S. Cl.**
USPC **D4/124; D4/118**

- (58) **Field of Classification Search**
USPC D4/118, 129, 134; D32/42, 46, 48, 49;
15/111, 236.01, 236.02, 236.05,
15/236.06, 236.08, 236.09, 160; D7/688;
D20/29; D21/757
See application file for complete search history.

- (56) **References Cited**
U.S. PATENT DOCUMENTS

3,349,422 A * 10/1967 Heil 15/160
D360,762 S * 8/1995 Porter D4/107

D396,909 S * 8/1998 Carter D21/789
D501,608 S * 2/2005 Uffner et al. D4/118
D522,756 S * 6/2006 Moore D4/124
D652,218 S * 1/2012 Hoffelner D4/118
D654,129 S * 2/2012 Garcia et al. D21/757
D656,736 S * 4/2012 Hoffelner D4/118
D662,551 S * 6/2012 Bengyak D20/29
D673,820 S * 1/2013 Batchelder D7/688

* cited by examiner

Primary Examiner — Austin Murphy

(74) *Attorney, Agent, or Firm* — Christensen O'Connor Johnson Kindness PLLC

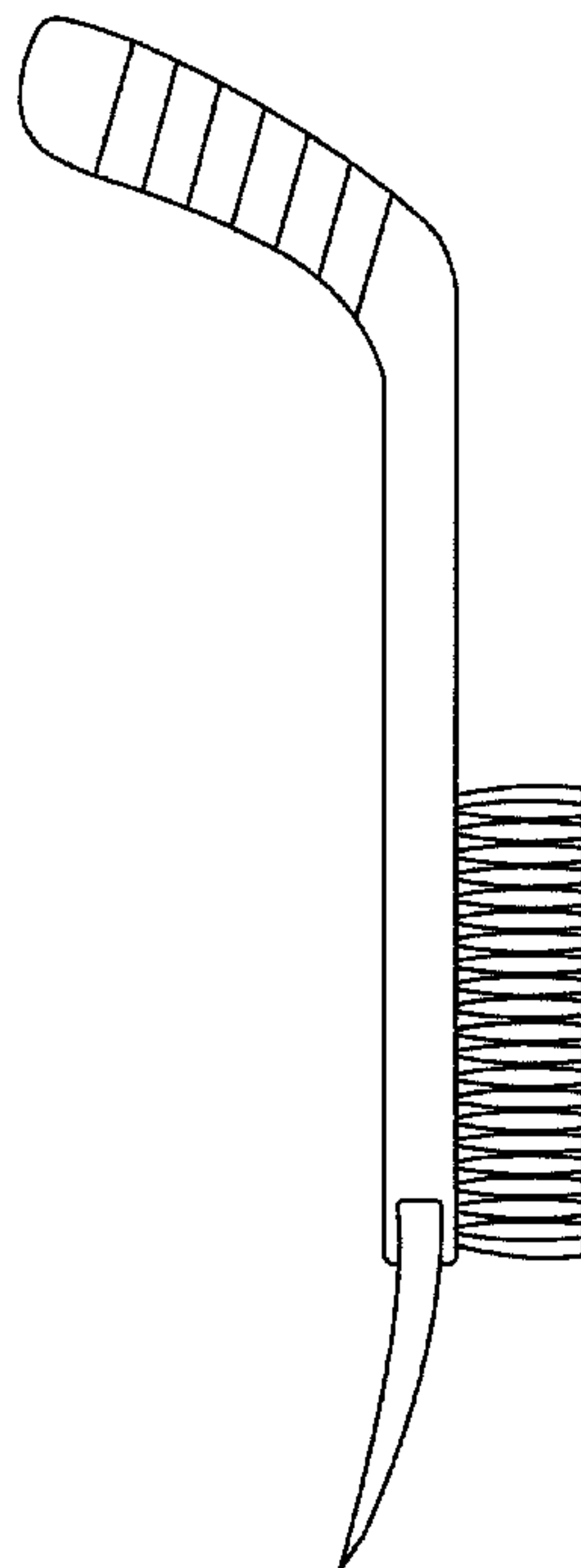
(57) **CLAIM**

The ornamental design for a hockey stick brush, as shown and described.

DESCRIPTION

FIG. 1 is a right side elevation view of a hockey stick brush showing my new design;
FIG. 2 is a left side elevation view of the hockey stick brush shown in FIG. 1;
FIG. 3 is a front elevation view of the hockey stick brush shown in FIG. 1;
FIG. 4 is a rear elevation view of the hockey stick brush shown in FIG. 1;
FIG. 5 is a top plan view of the hockey stick brush shown in FIG. 1; and,
FIG. 6 is a bottom plan view of the hockey stick brush shown in FIG. 1.

1 Claim, 3 Drawing Sheets



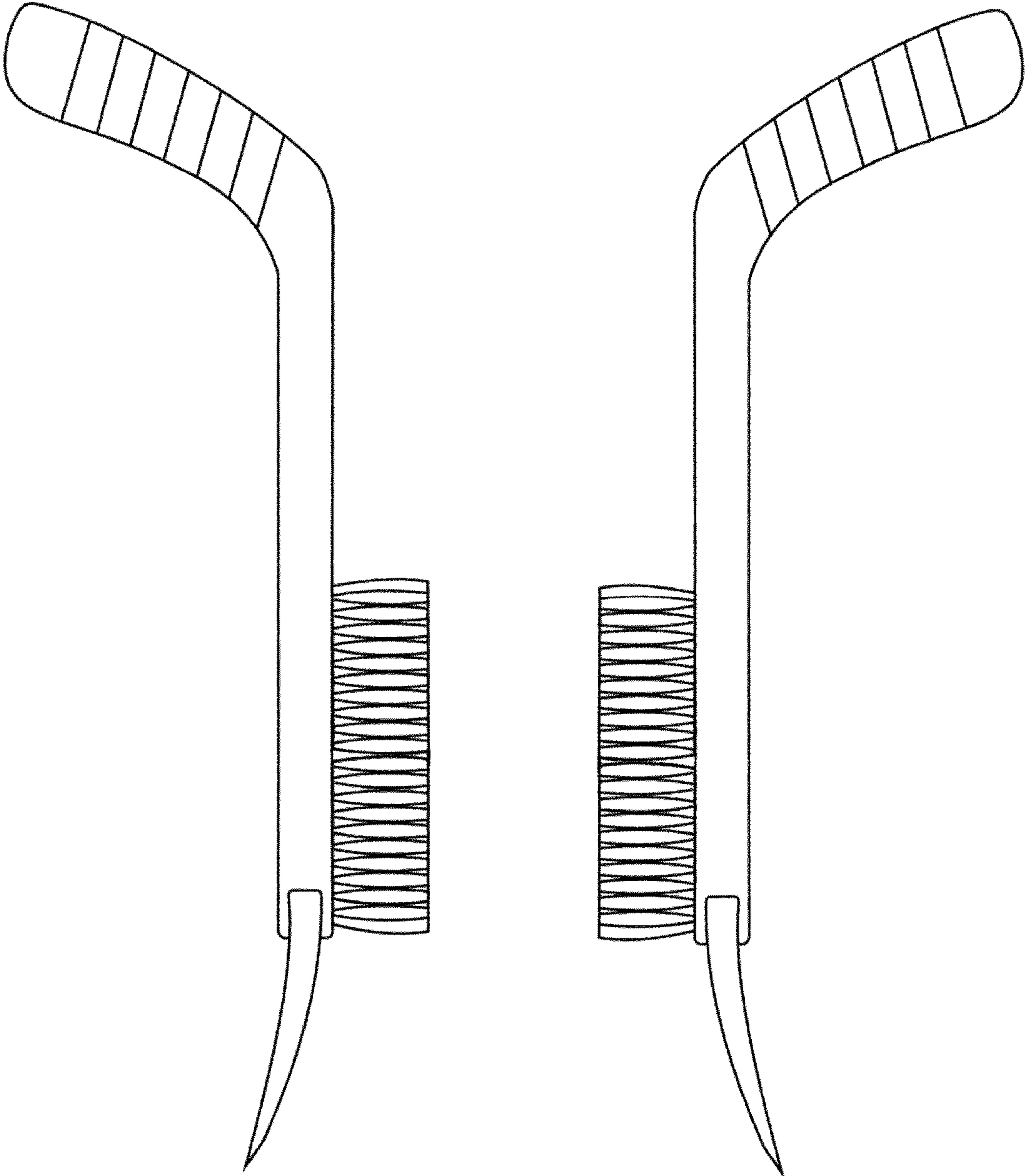


Fig. 1

Fig. 2

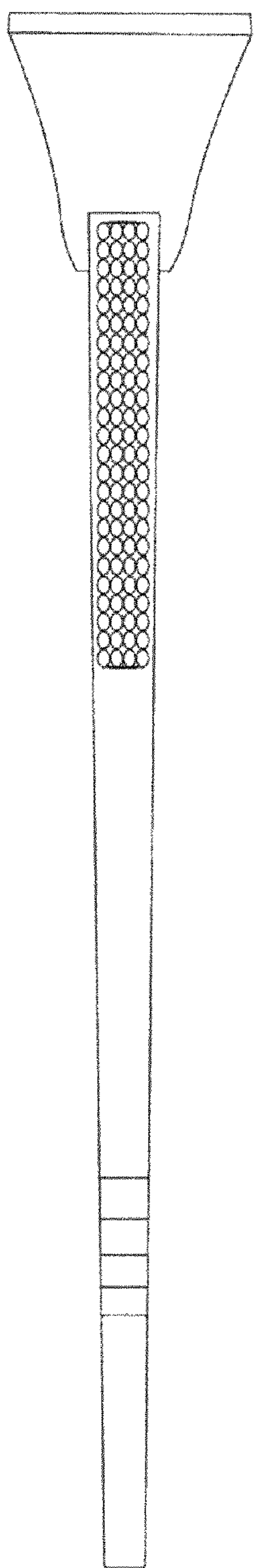


Fig. 3

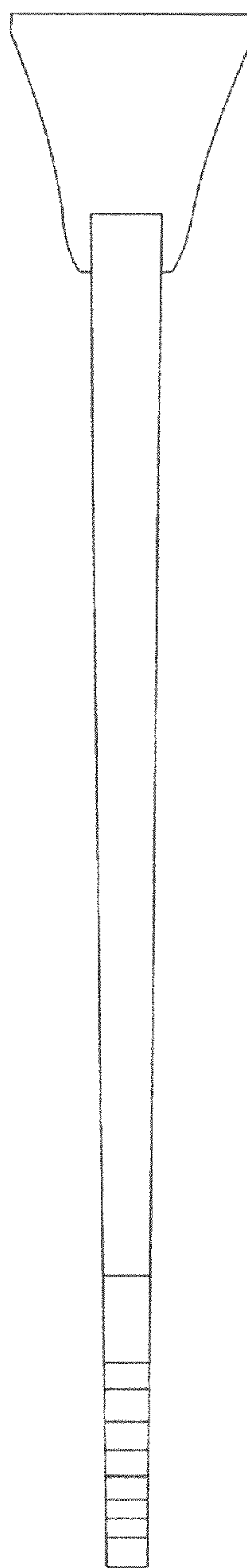


Fig. 4

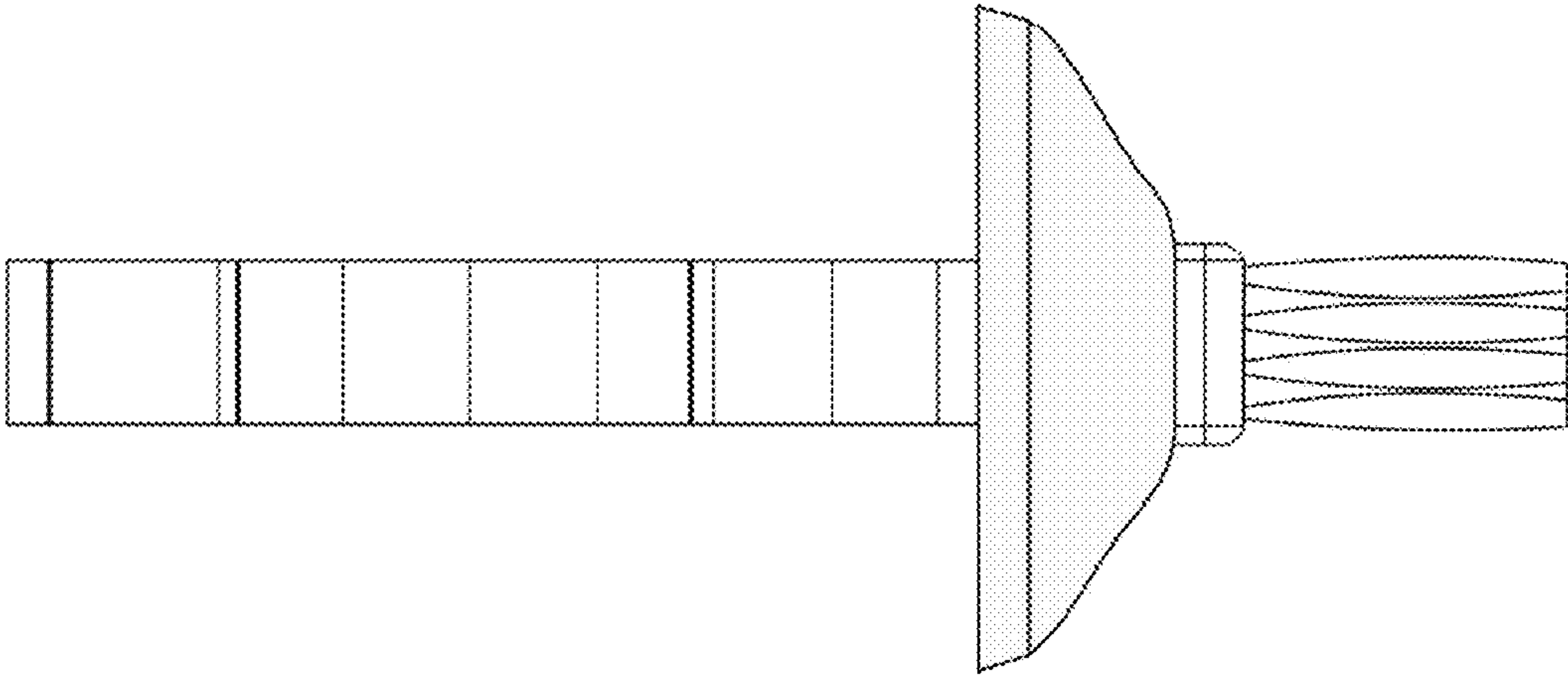


Fig. 5

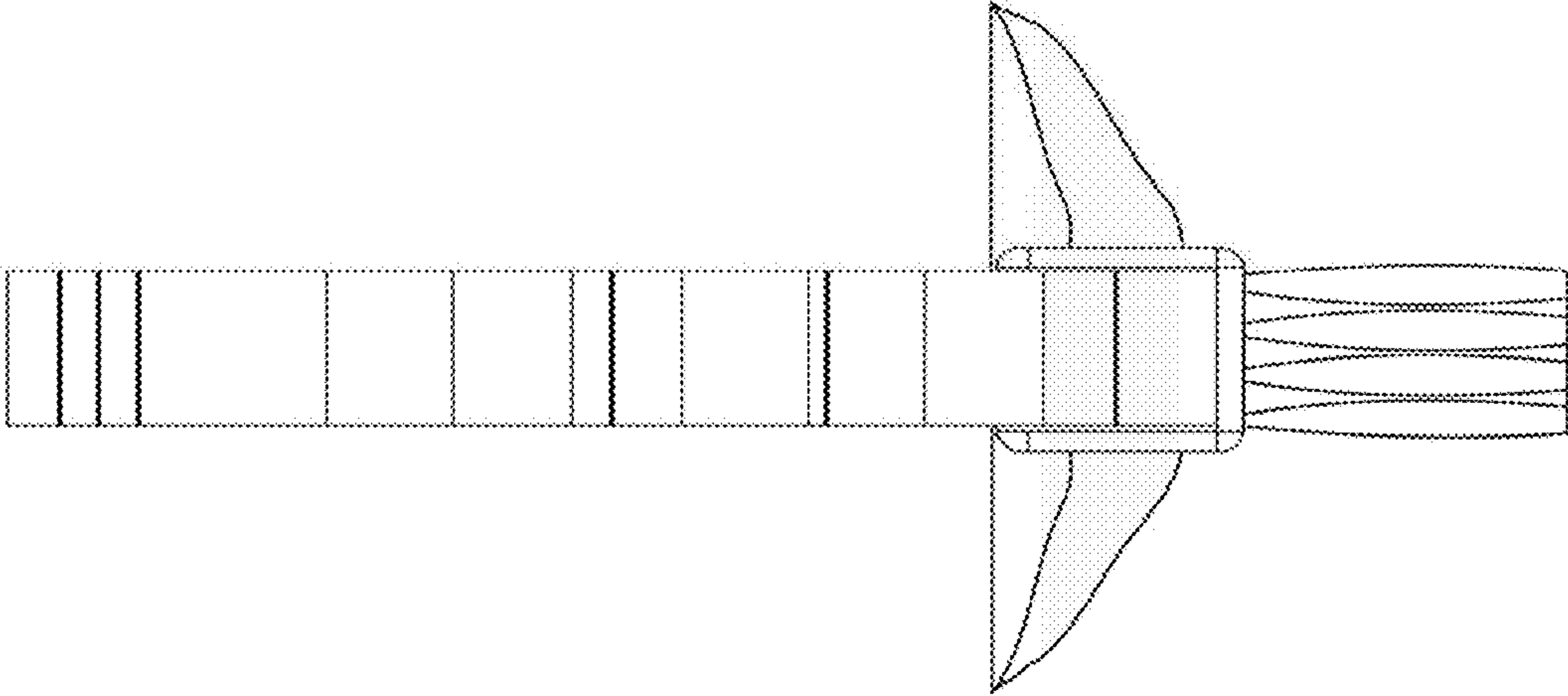


Fig. 6