



US00D691808S

(12) **United States Design Patent**
Wu

(10) **Patent No.:** **US D691,808 S**
(45) **Date of Patent:** **** Oct. 22, 2013**

(54) **GRIP**

(76) Inventor: **Chen-Chuan Wu**, Hsin Chuang (TW)

(**) Term: **14 Years**

(21) Appl. No.: **29/432,467**

(22) Filed: **Sep. 14, 2012**

(51) **LOC (9) Cl.** **03-01**

(52) **U.S. Cl.**
USPC **D3/318**

(58) **Field of Classification Search**
USPC D3/318; 190/112-115; 16/110.1, 113.1,
16/114.1, 45
See application file for complete search history.

(56) **References Cited**

U.S. PATENT DOCUMENTS

| | | | | | |
|------------|---|---------|------|-------|--------|
| D528,302 S | * | 9/2006 | Moon | | D3/318 |
| D553,364 S | * | 10/2007 | Moon | | D3/318 |
| D591,511 S | * | 5/2009 | Wu | | D3/318 |

* cited by examiner

Primary Examiner — Holly Baynham

(74) *Attorney, Agent, or Firm* — Muncy, Geissler, Olds & Lowe, PLLC

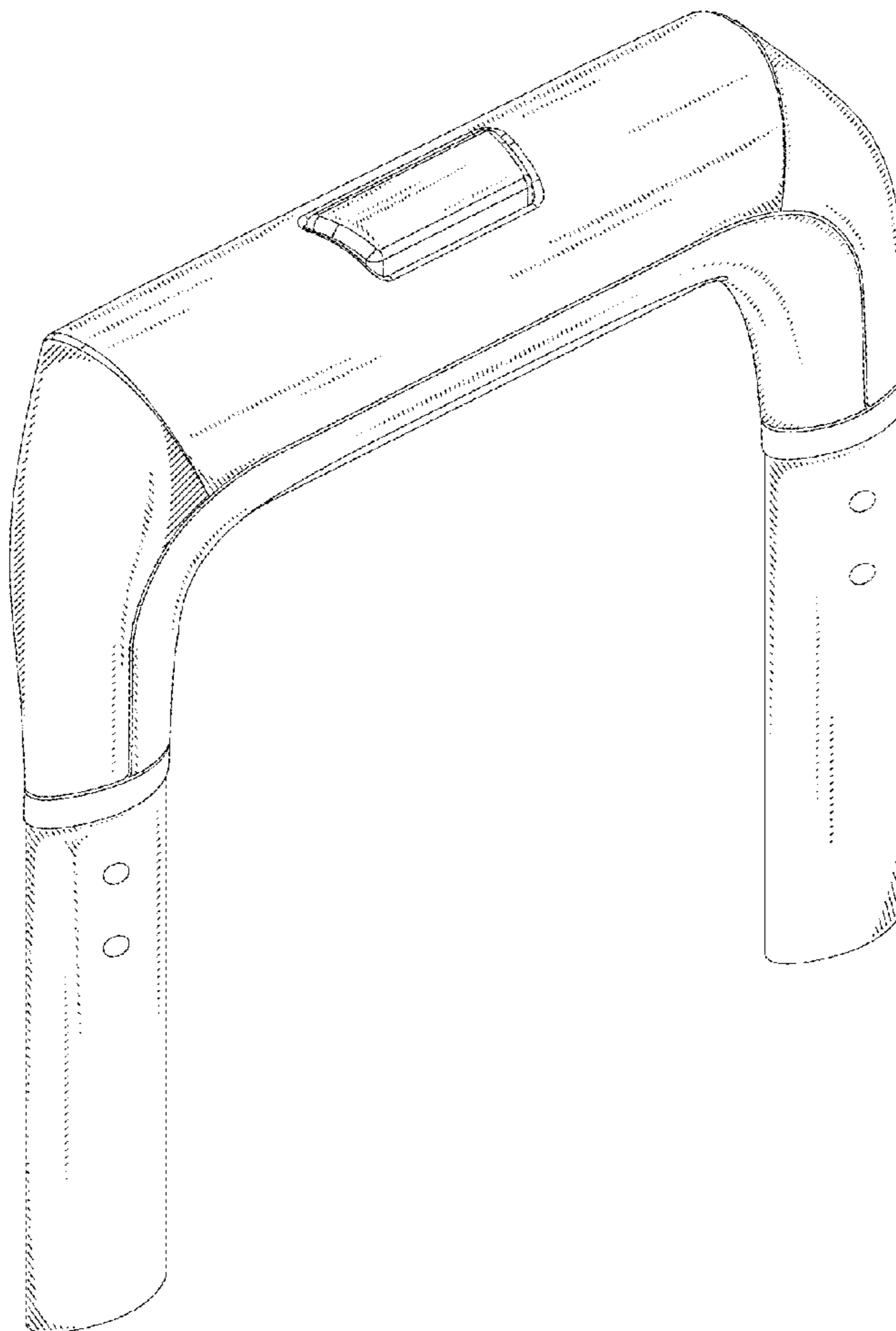
(57) **CLAIM**

The ornamental design for a grip, as shown and described.

DESCRIPTION

FIG. 1 is a perspective view of a grip showing the new design;
FIG. 2 is a front view thereof;
FIG. 3 is a rear view thereof;
FIG. 4 is a left side view thereof;
FIG. 5 is a right side view thereof;
FIG. 6 is a top view thereof; and,
FIG. 7 is a bottom view thereof.

1 Claim, 4 Drawing Sheets



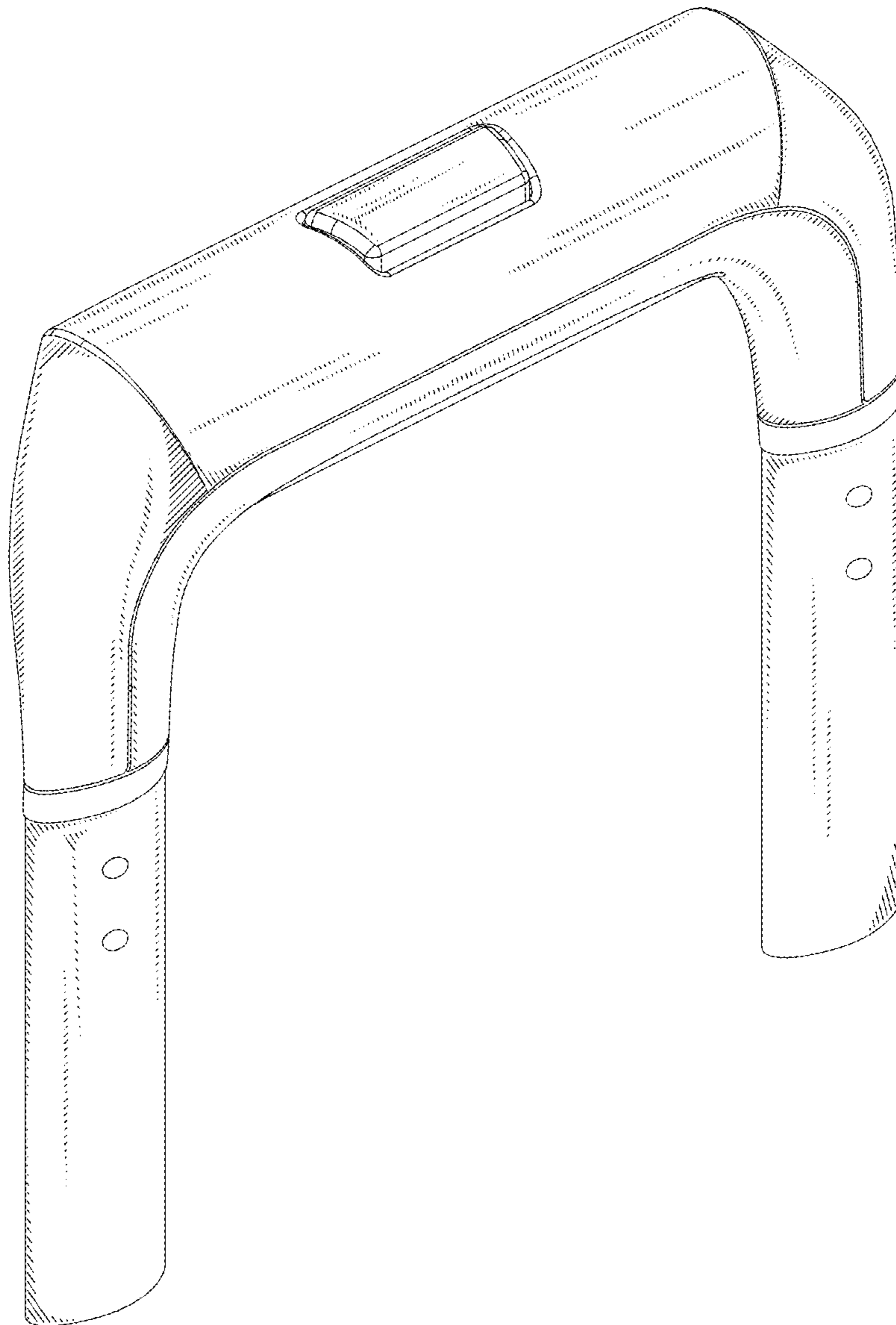


Fig. 1

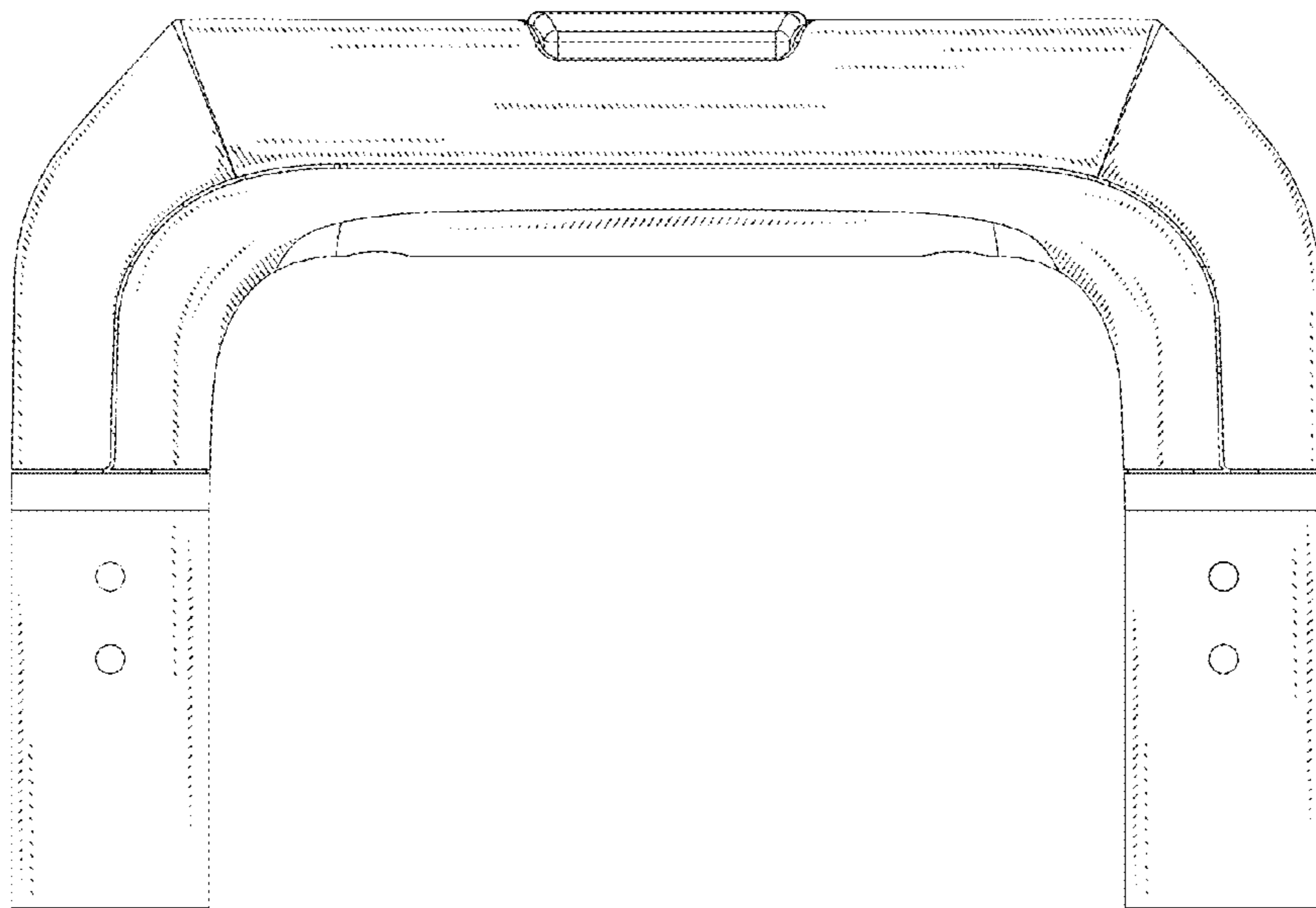


Fig. 2

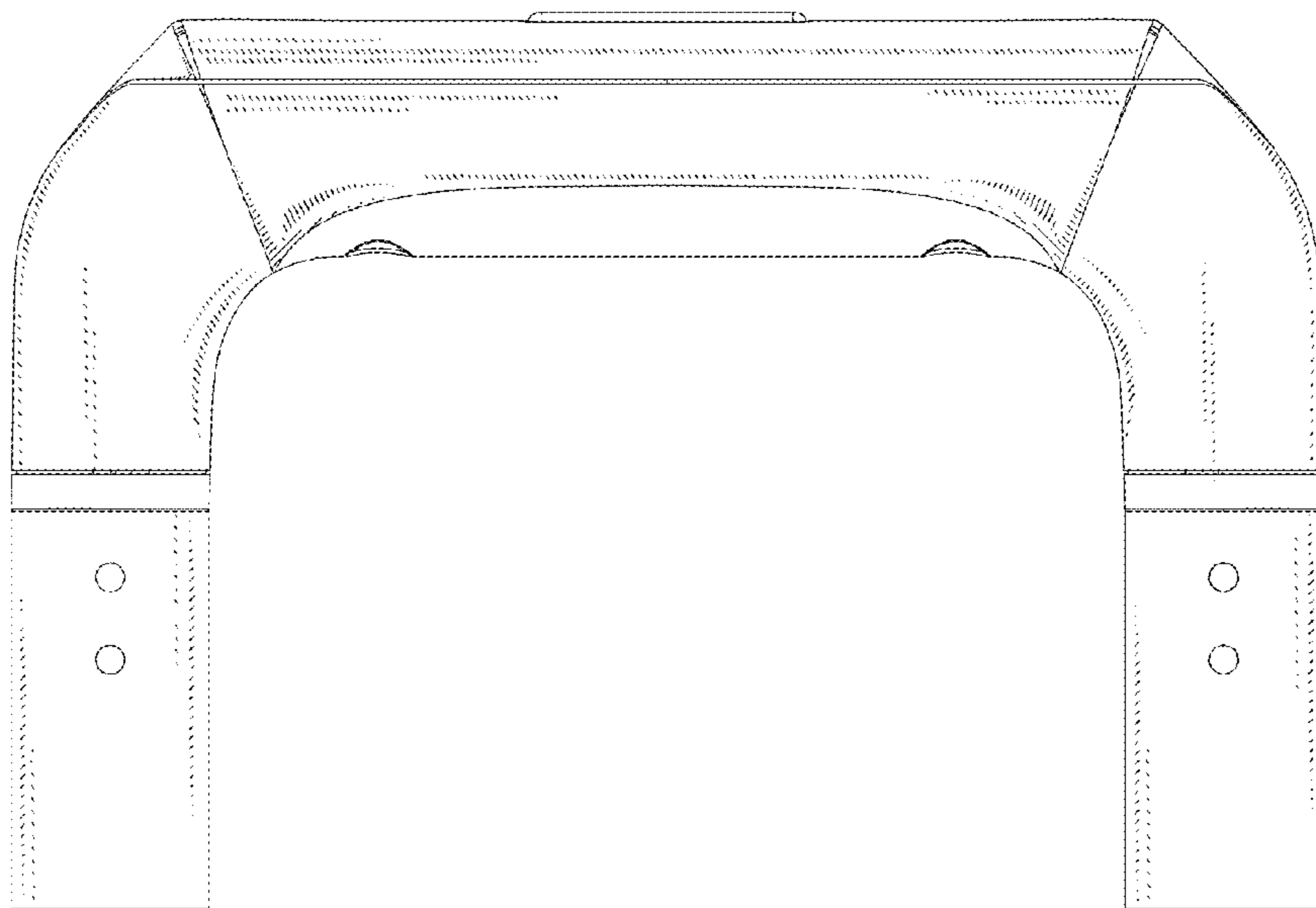


Fig. 3

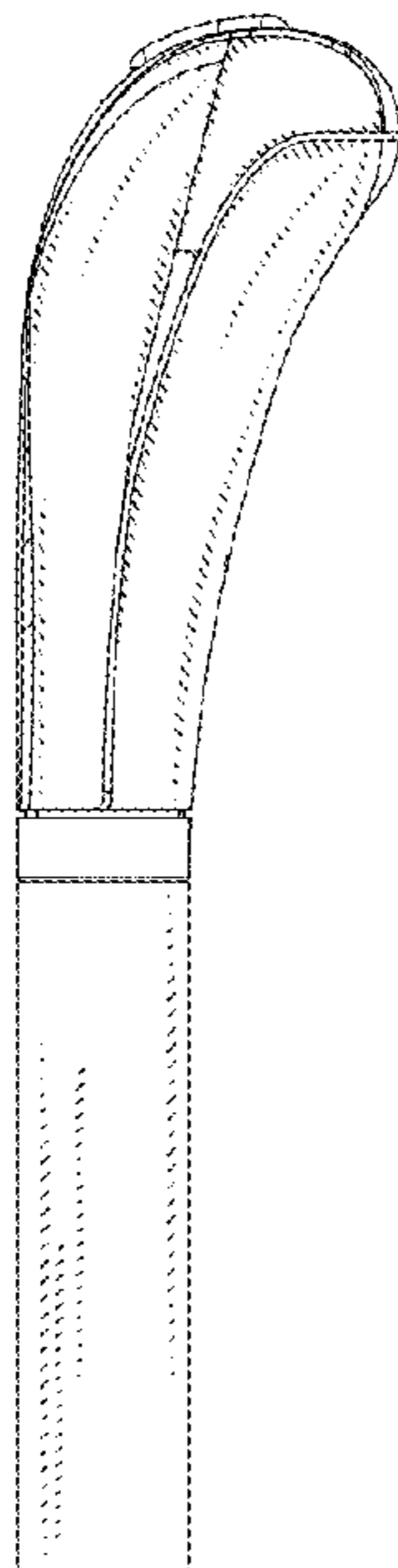


Fig. 4

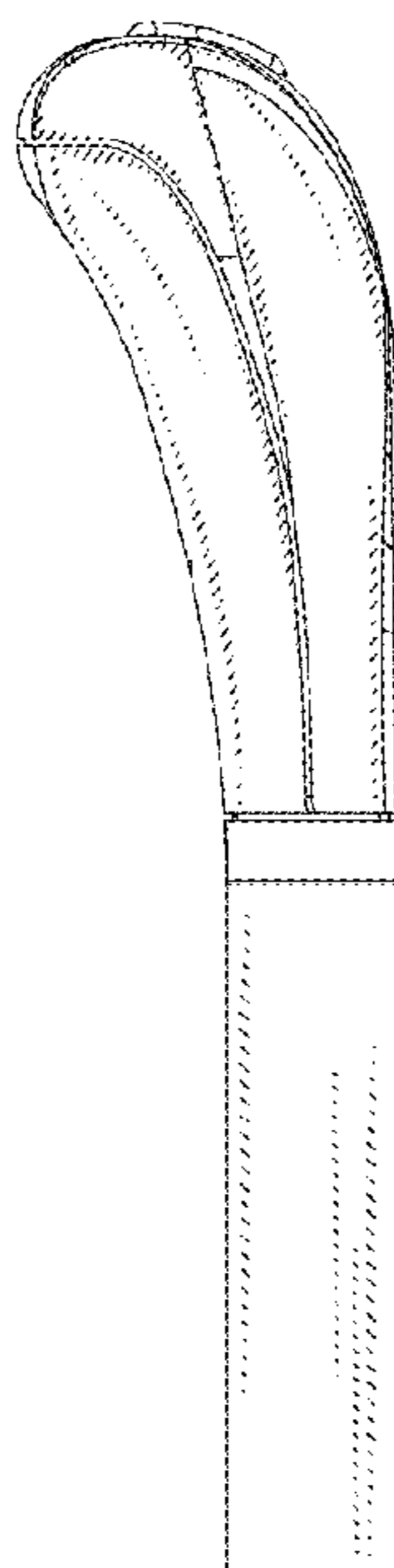


Fig. 5

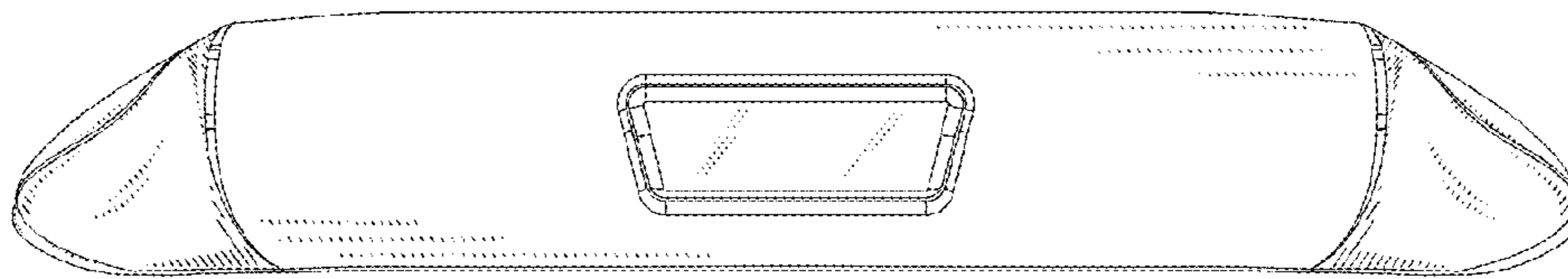


Fig. 6

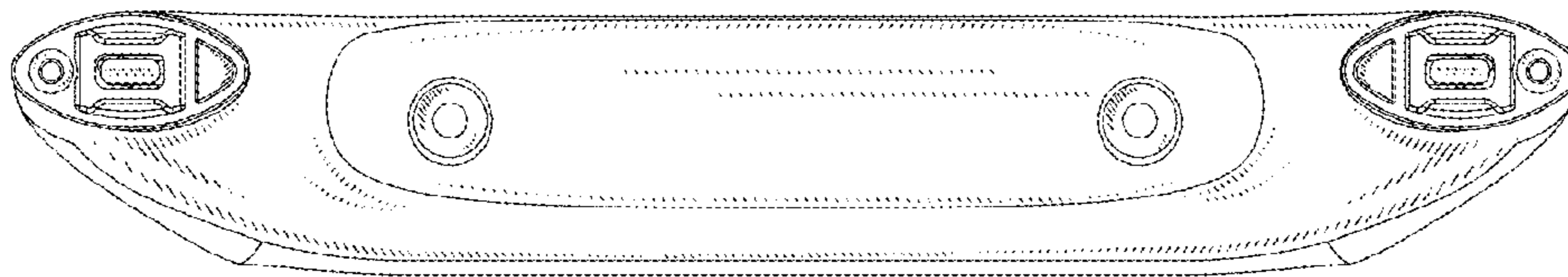


Fig. 7