



US00D691807S

(12) **United States Design Patent**
Ragucci

(10) **Patent No.:** **US D691,807 S**
(45) **Date of Patent:** **** Oct. 22, 2013**

(54) **HANDBAG**

(75) Inventor: **Margaret Lee Ragucci**, New York, NY (US)

(73) Assignee: **River Light V, L.P.**, New York, NY (US)

(**) Term: **14 Years**

(21) Appl. No.: **29/421,435**

(22) Filed: **Jul. 26, 2012**

(51) **LOC (9) Cl.** **03-01**

(52) **U.S. Cl.**
USPC **D3/318**

(58) **Field of Classification Search**
USPC D3/232–233, 240–246, 318; 150/100,
150/103–110, 113–114, 117–119
See application file for complete search history.

(56) **References Cited**

U.S. PATENT DOCUMENTS

D442,778 S *	5/2001	Guyon	D3/246
D455,549 S *	4/2002	Hersh et al.	D3/232
D566,385 S *	4/2008	Yuson	D3/232
D596,850 S *	7/2009	Smith	D3/232
D611,246 S *	3/2010	LaCorte	D3/232
D627,155 S *	11/2010	Tennyson	D3/243

* cited by examiner

Primary Examiner — Holly Baynham

(74) *Attorney, Agent, or Firm* — Kilpatrick Townsend & Stockton LLP

(57) **CLAIM**

The ornamental design for a handbag, as shown and described.

DESCRIPTION

FIG. 1 is a perspective view of a handbag, with a flap of the handbag in a tucked configuration.

FIG. 2 is a front view of the handbag in the configuration of FIG. 1.

FIG. 3 is a rear view of the handbag in the configuration of FIG. 1.

FIG. 4 is a left side view of the handbag in the configuration of FIG. 1.

FIG. 5 is a right side view of the handbag in the configuration of FIG. 1.

FIG. 6 is a top view of the handbag in the configuration of FIG. 1.

FIG. 7 is a bottom view of the handbag in the configuration of FIG. 1.

FIG. 8 is a perspective view of the handbag of FIG. 1, with the flap of the handbag in an un-tucked configuration.

FIG. 9 is a front view of the handbag in the configuration of FIG. 8.

FIG. 10 is a rear view of the handbag in the configuration of FIG. 8.

FIG. 11 is a left side view of the handbag in the configuration of FIG. 8.

FIG. 12 is a right side view of the handbag in the configuration of FIG. 8.

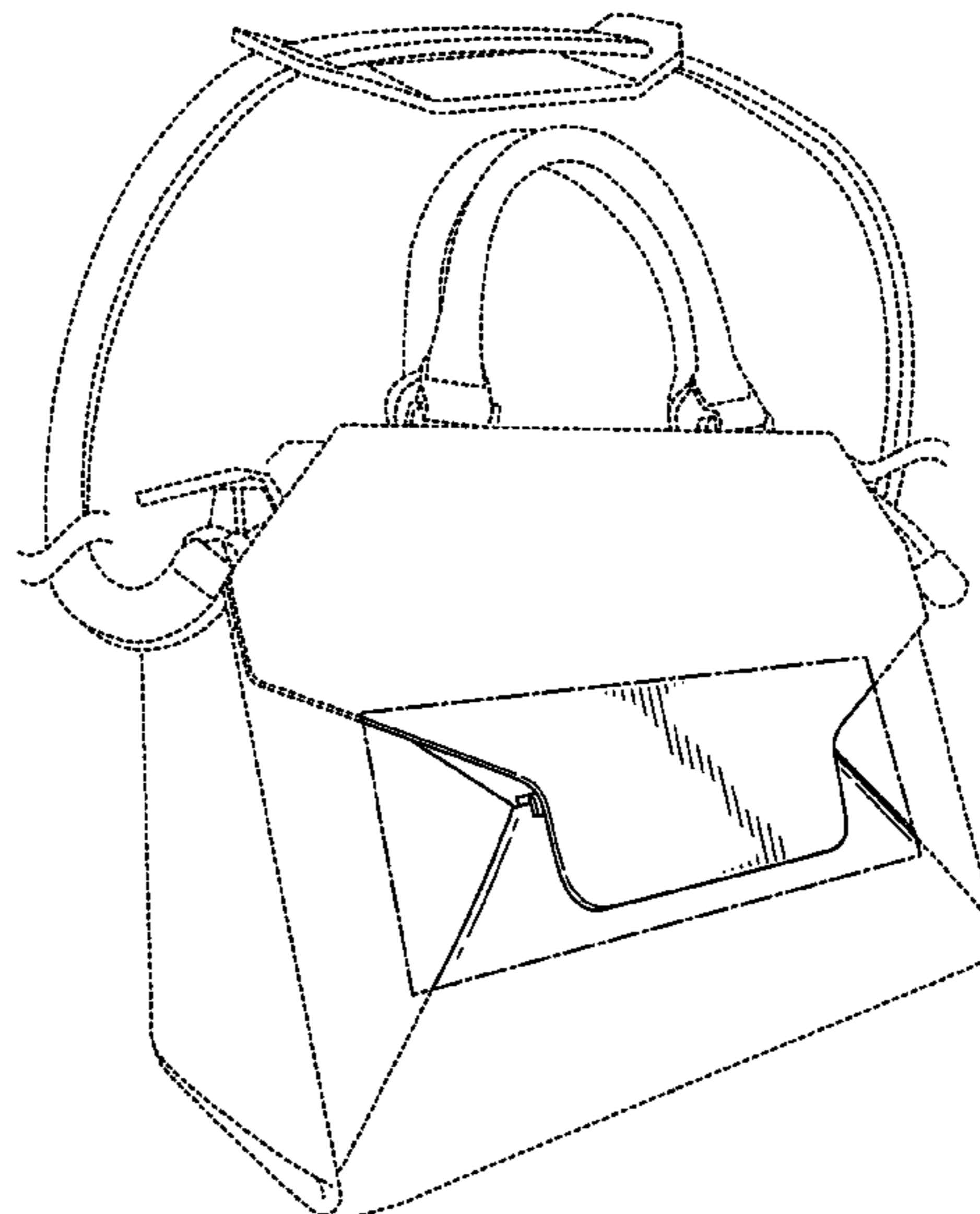
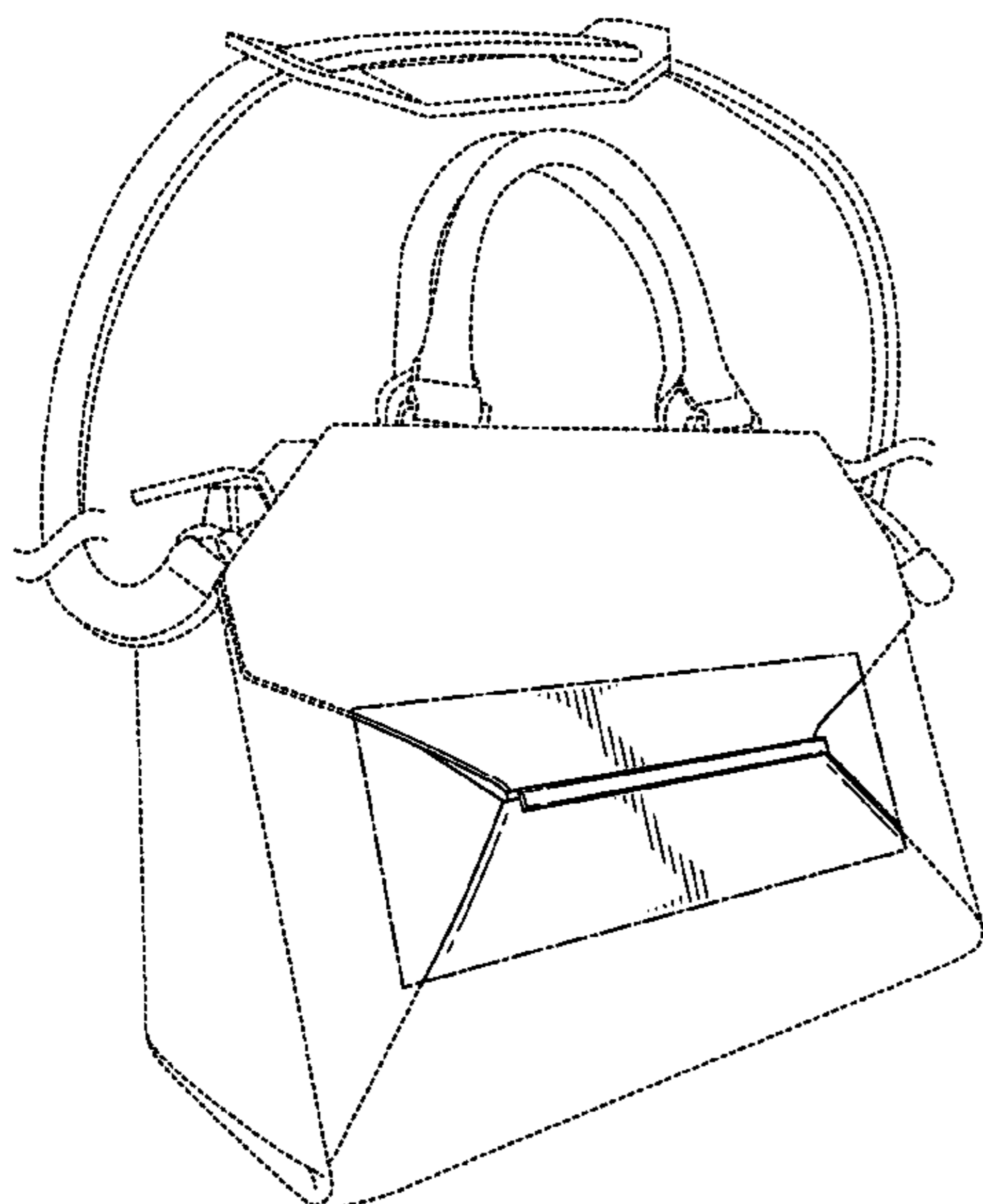
FIG. 13 is a top view of the handbag in the configuration of FIG. 8; and,

FIG. 14 is a bottom view of the handbag in the configuration of FIG. 8.

The broken lines showing a handbag body and straps are for the purposes of illustrating environment.

The dot-dashed broken lines represent the metes and bounds of the claim. None of the broken lines are part of the claimed design.

1 Claim, 14 Drawing Sheets



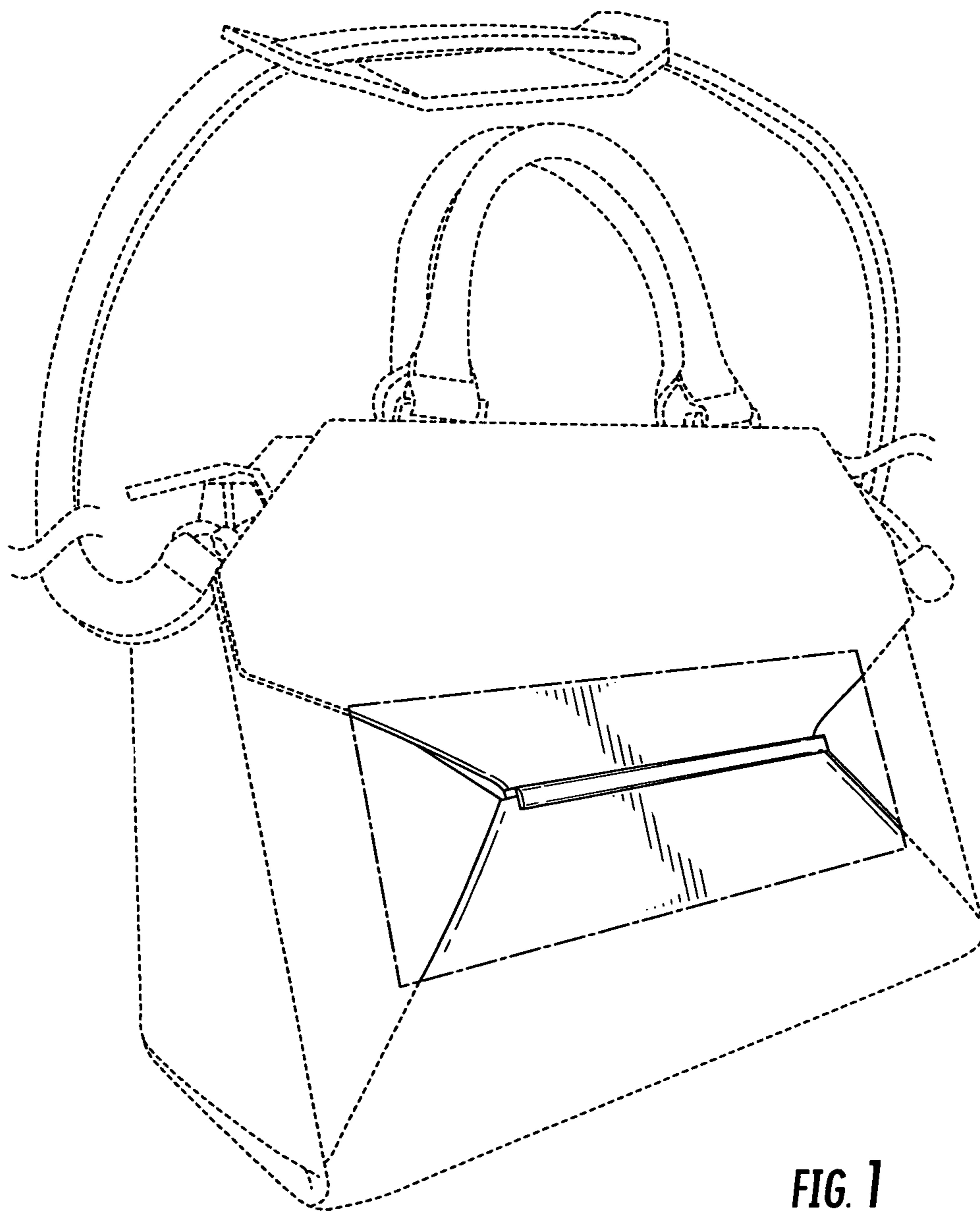


FIG. 1

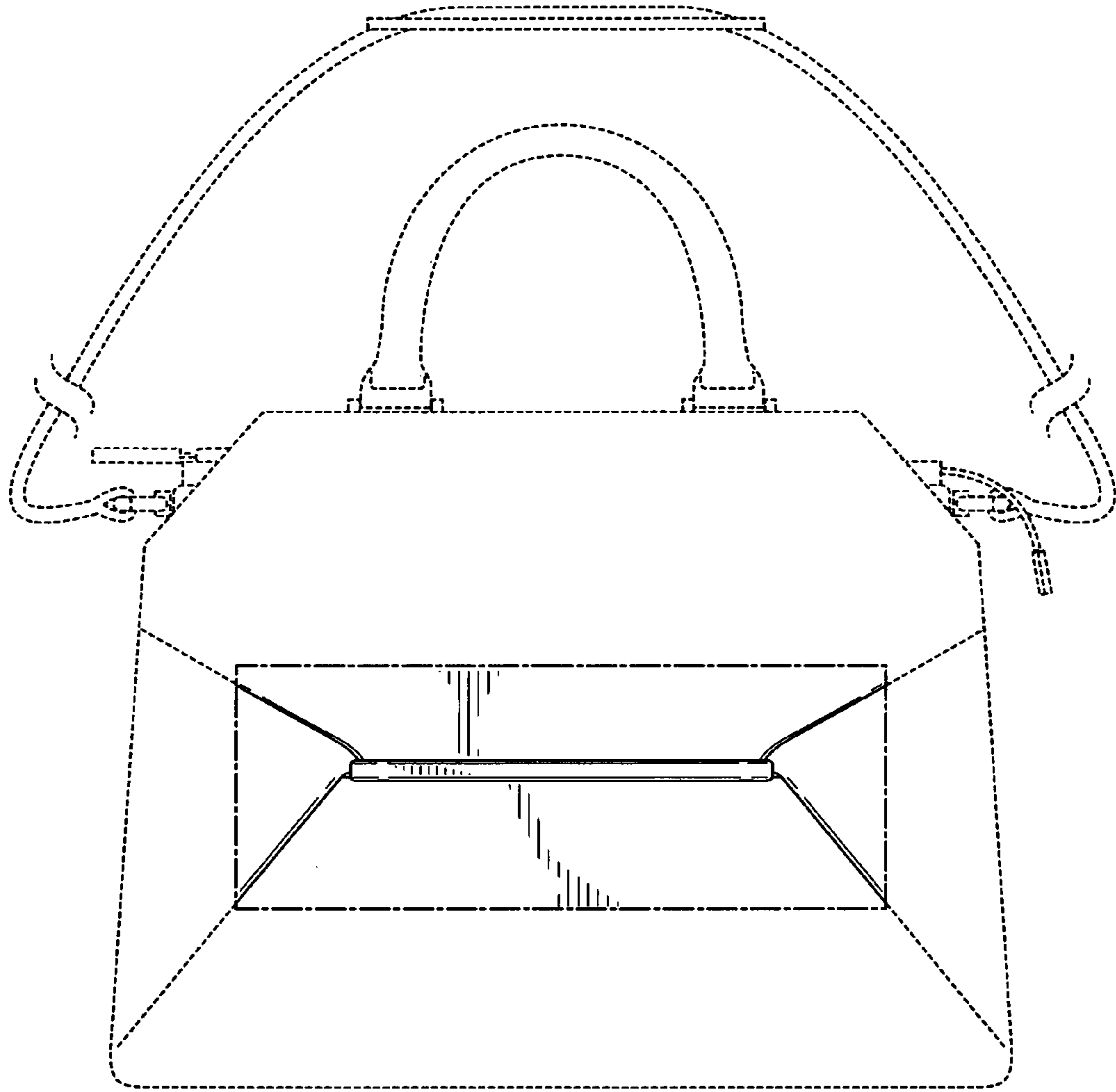


FIG. 2

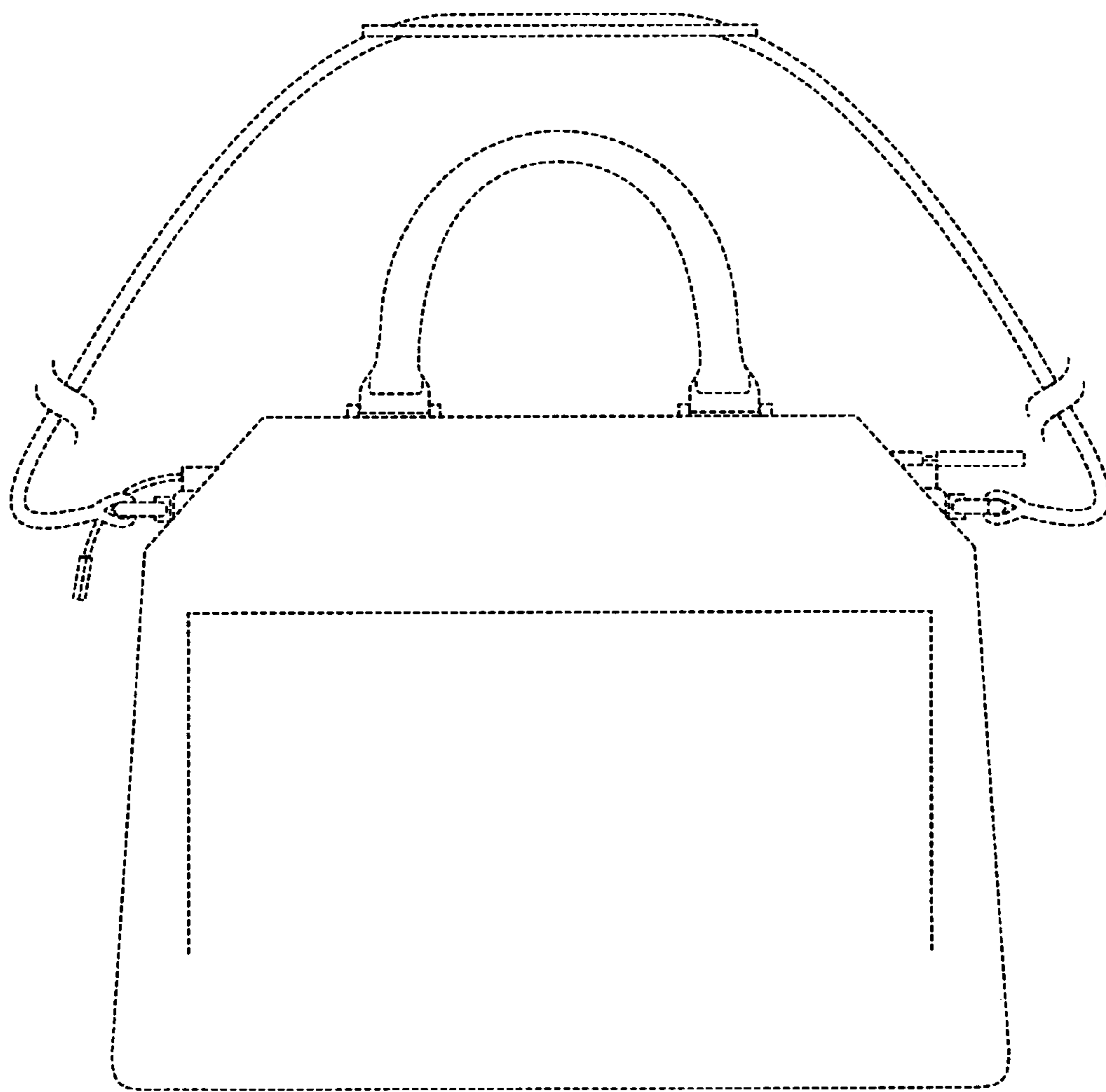


FIG. 3

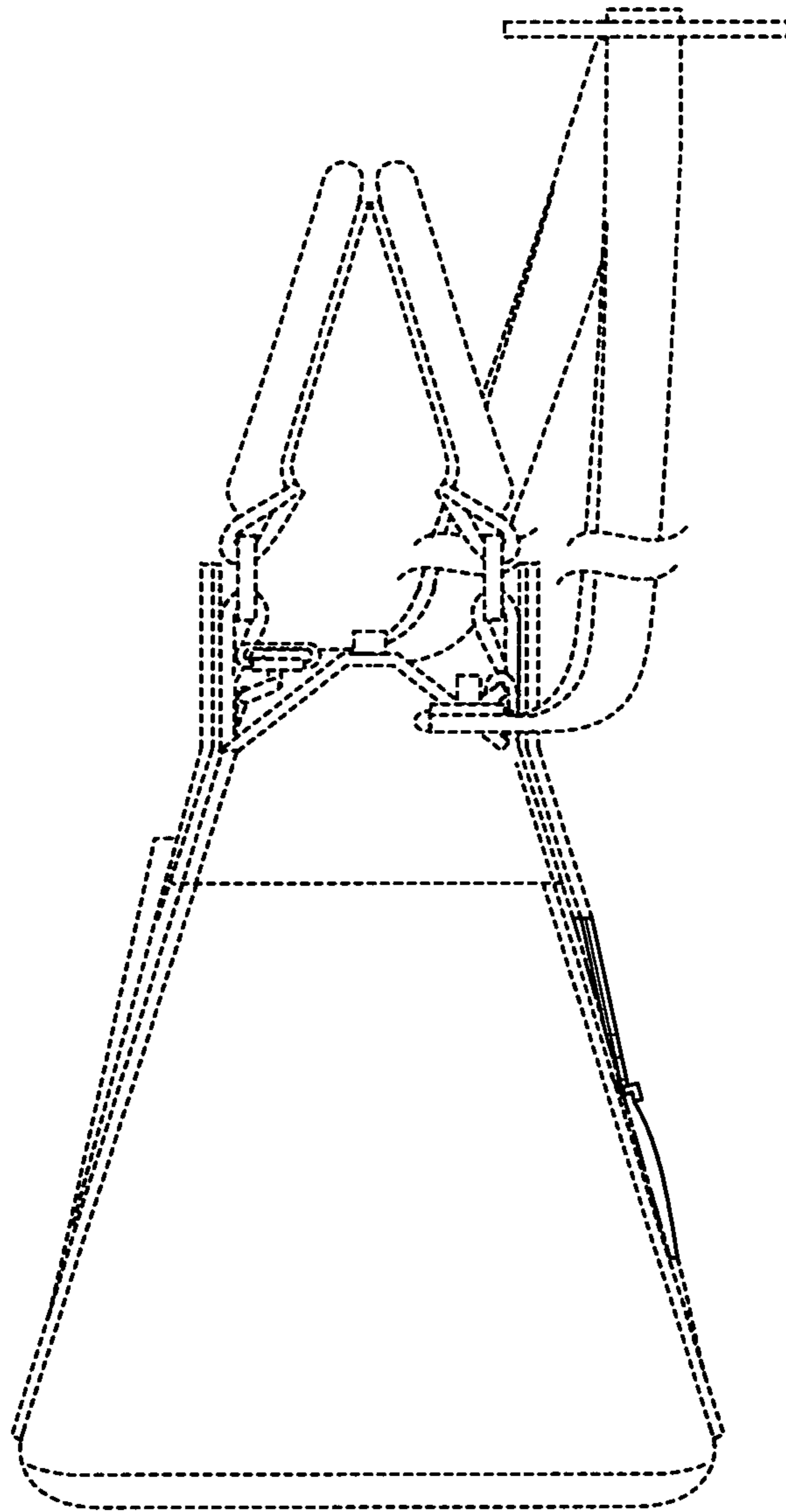


FIG. 4

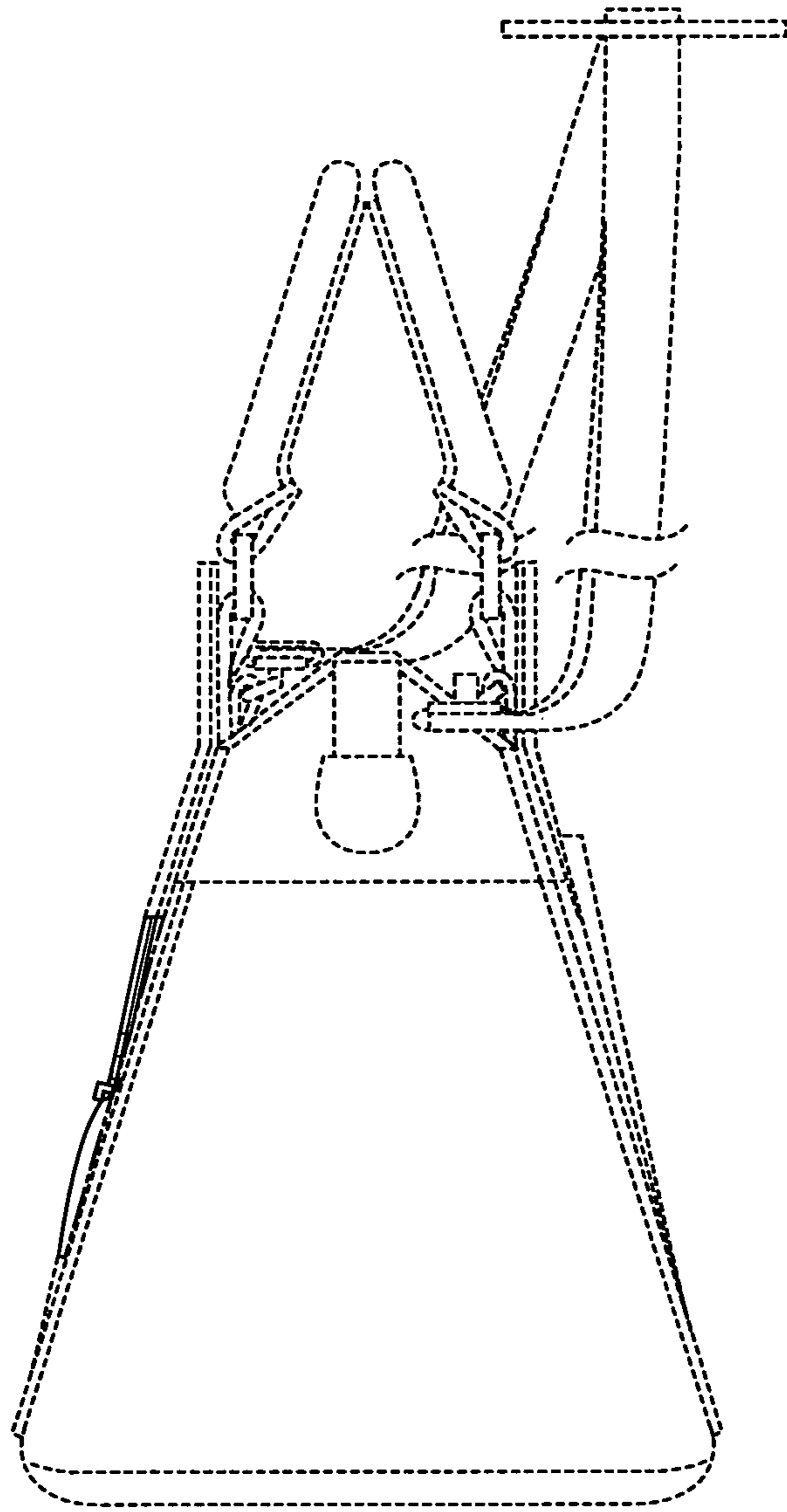


FIG. 5

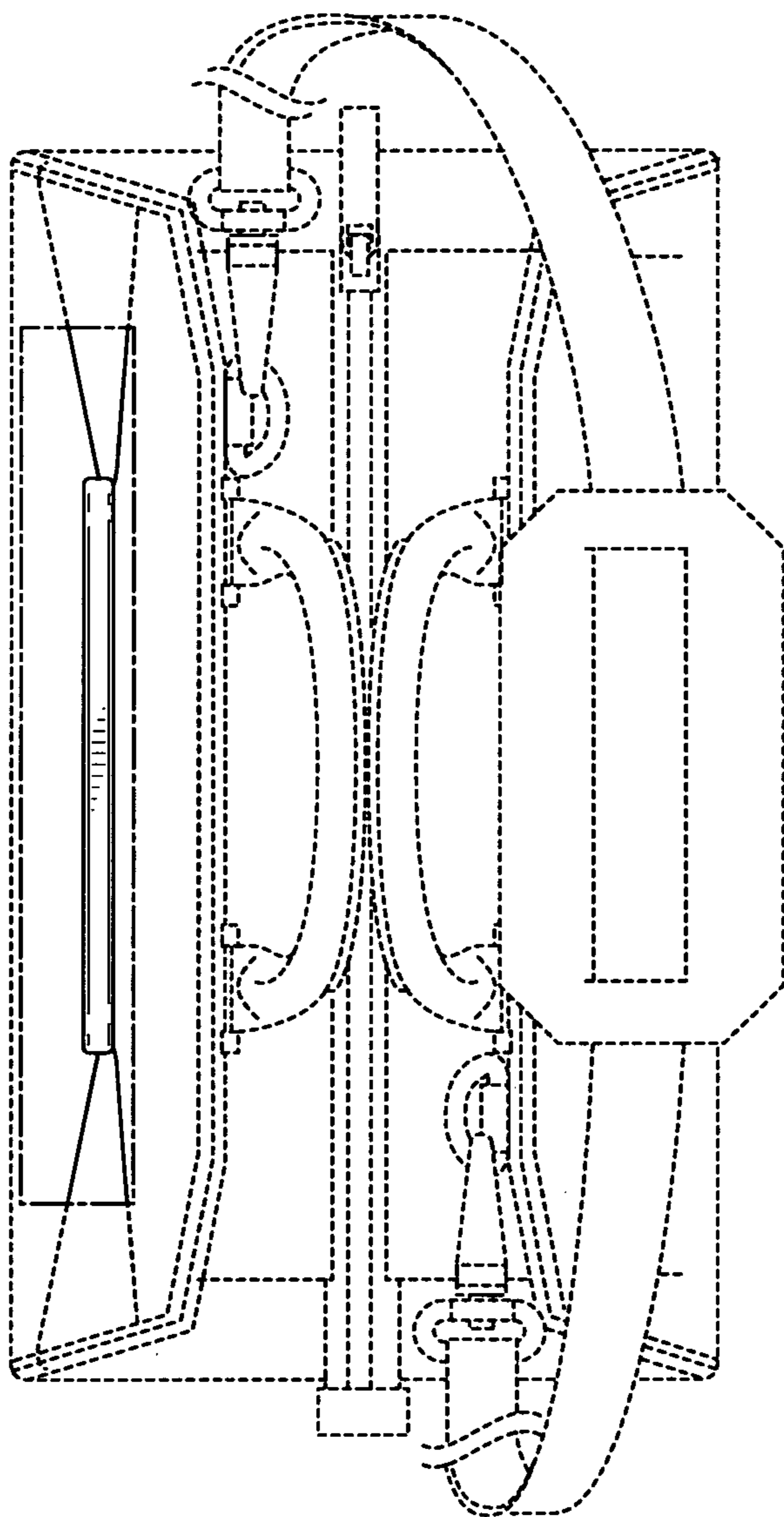


FIG. 6

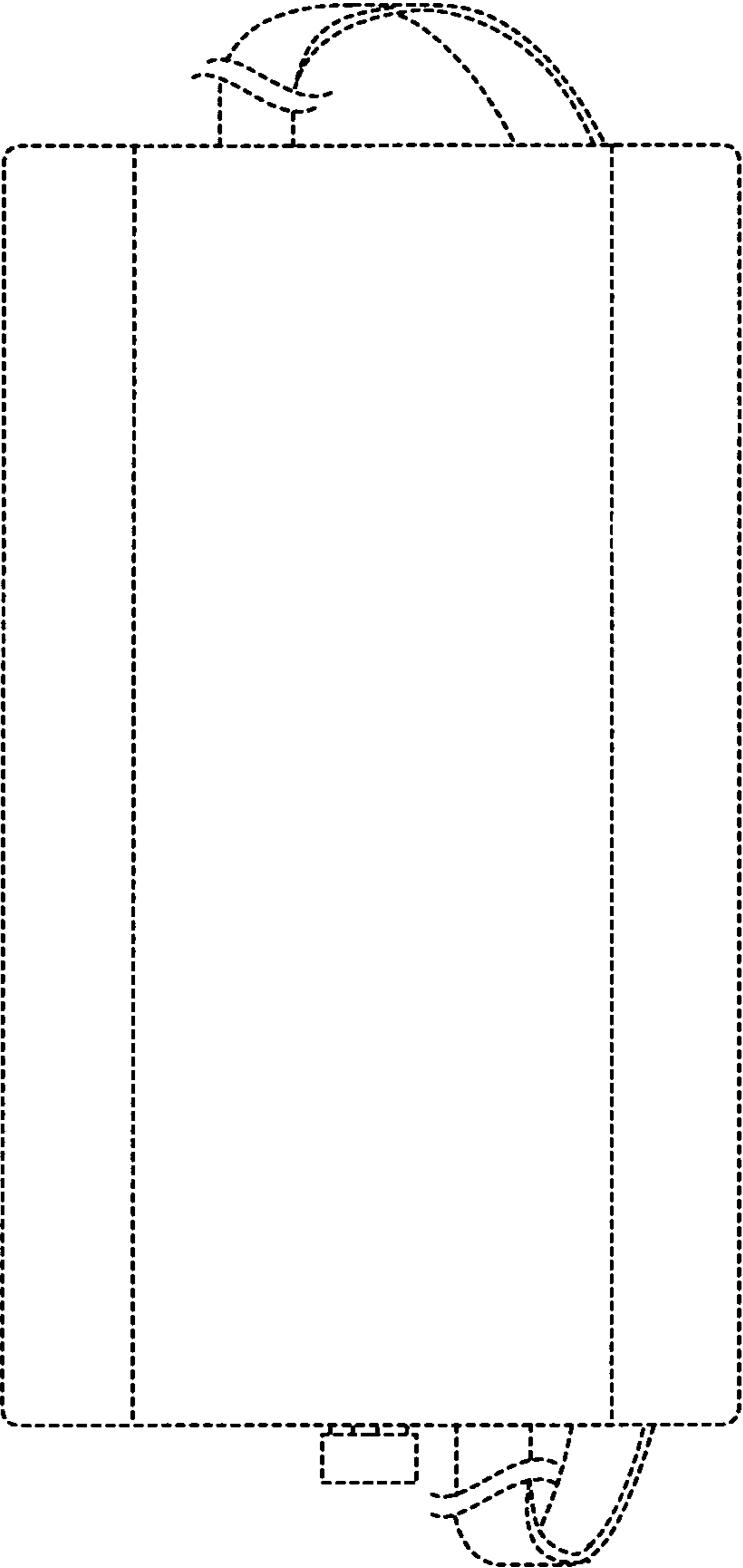


FIG. 7

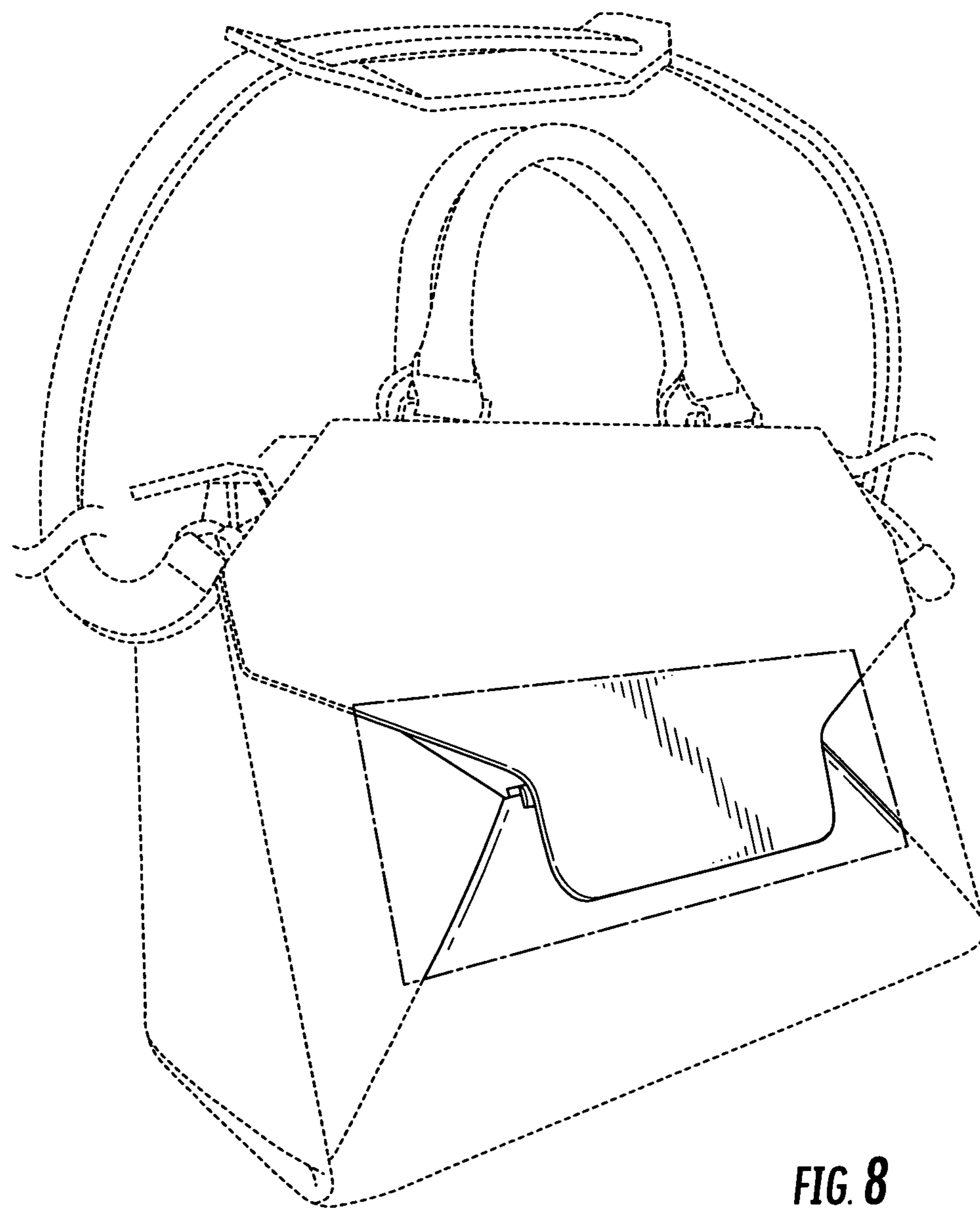


FIG. 8

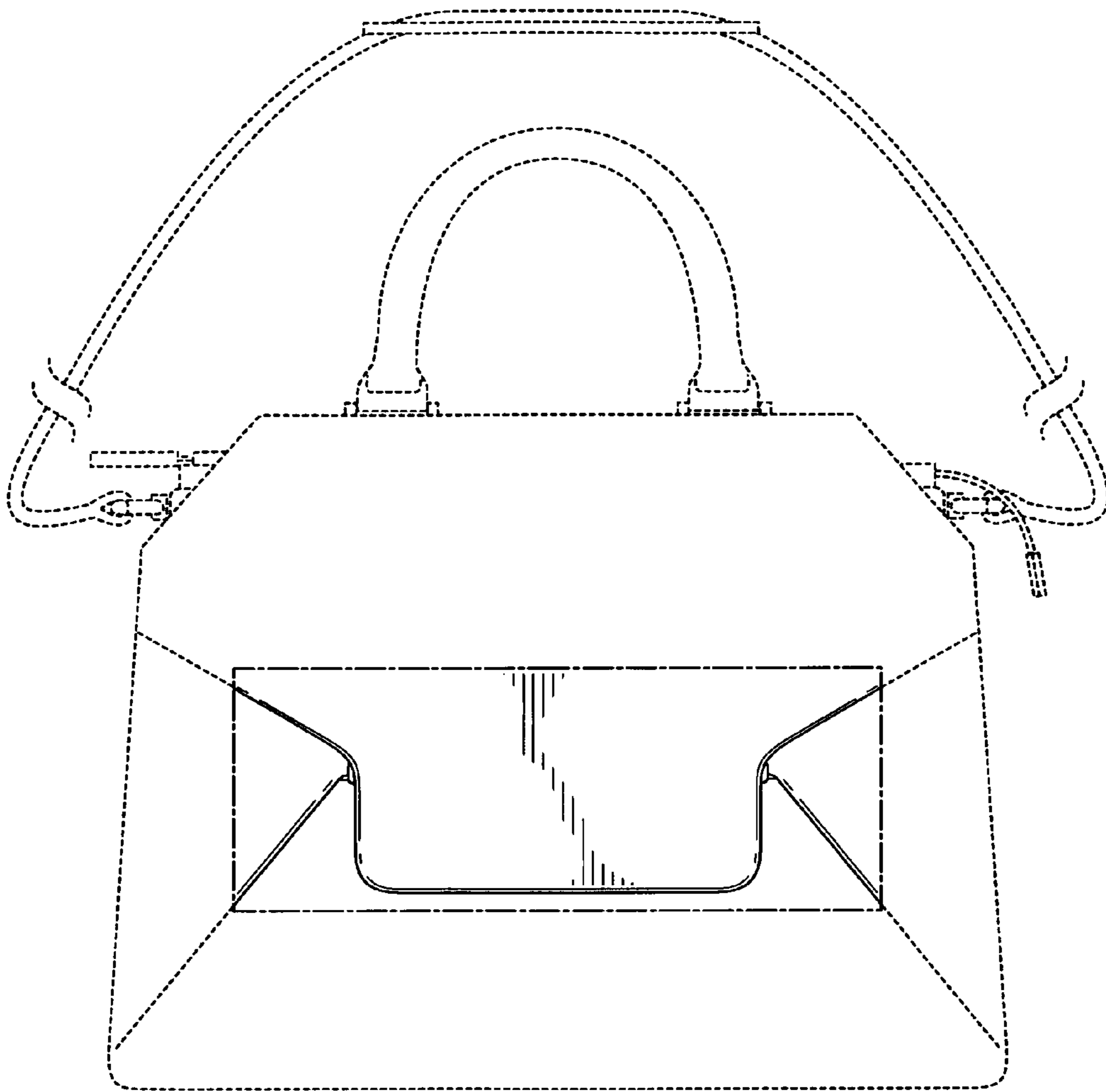


FIG. 9

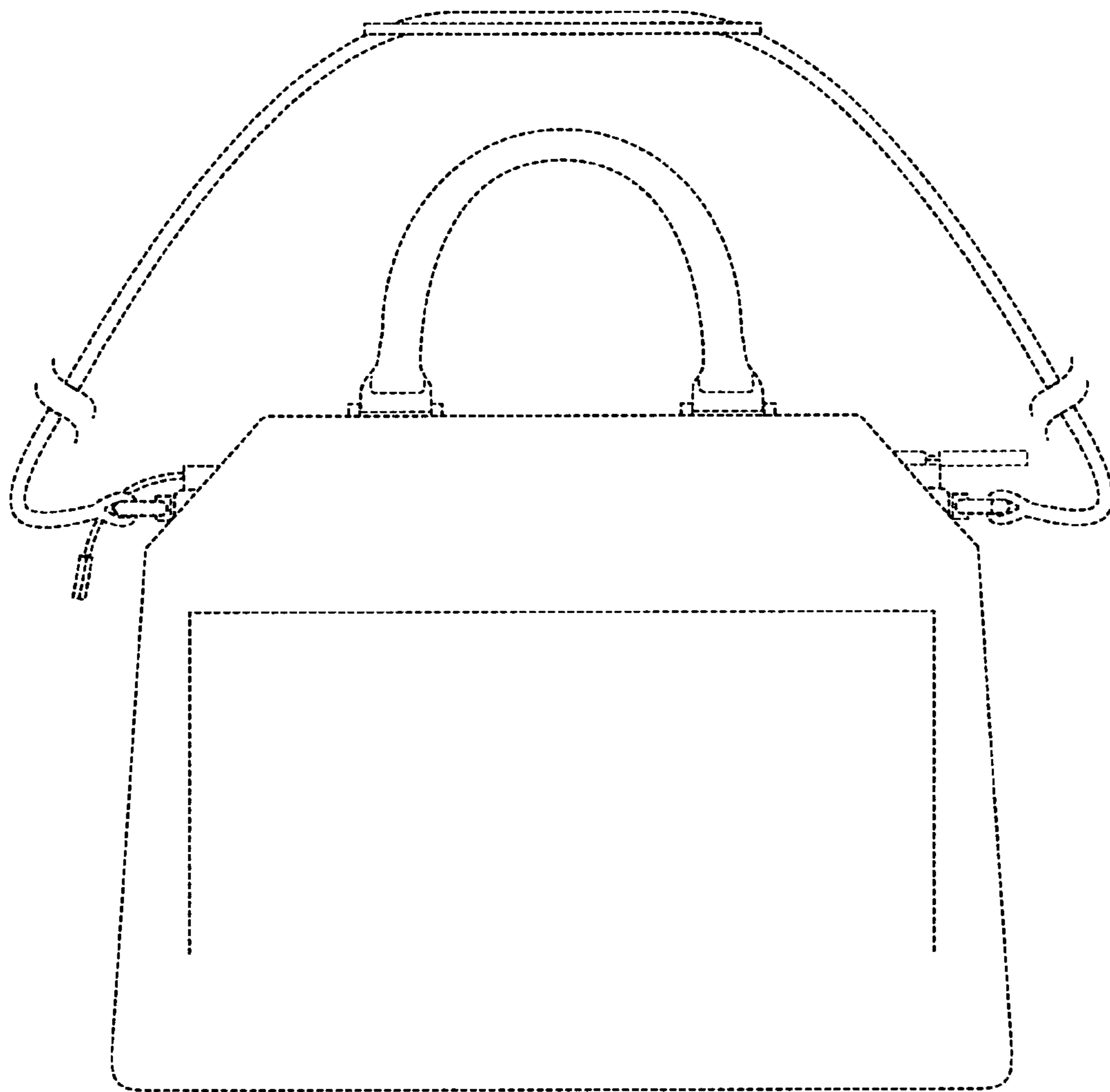


FIG. 10

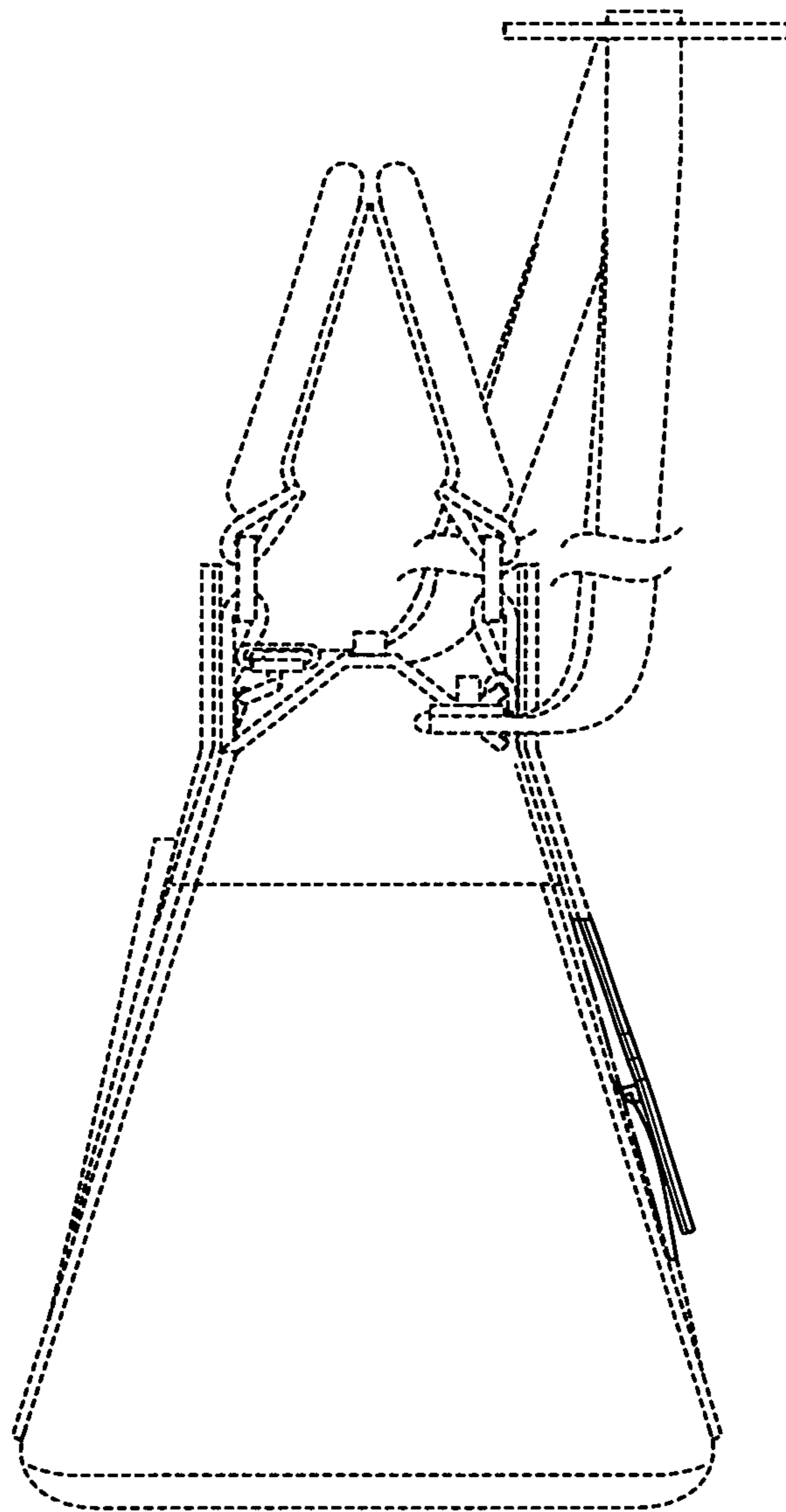


FIG. 11

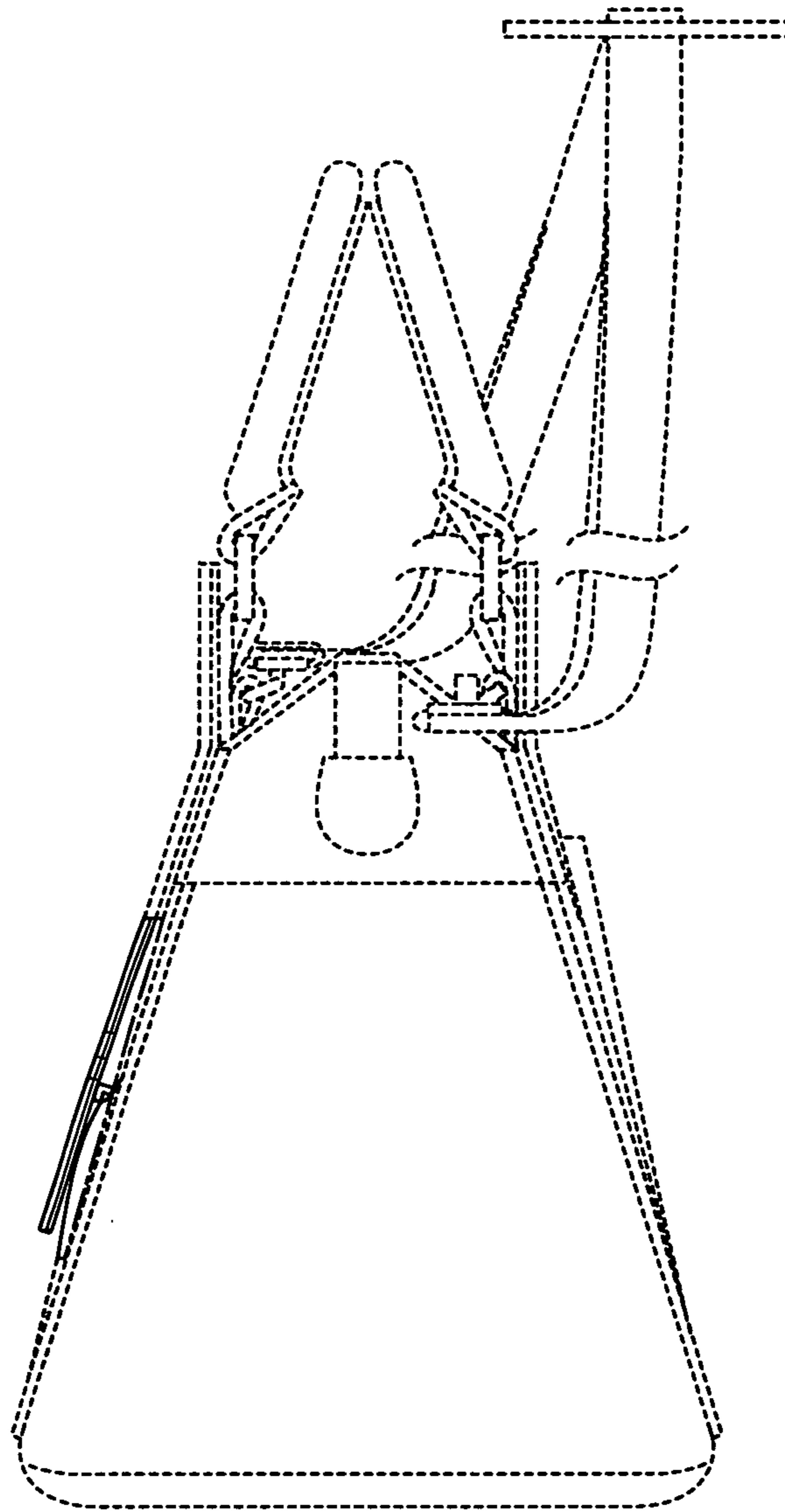


FIG. 12

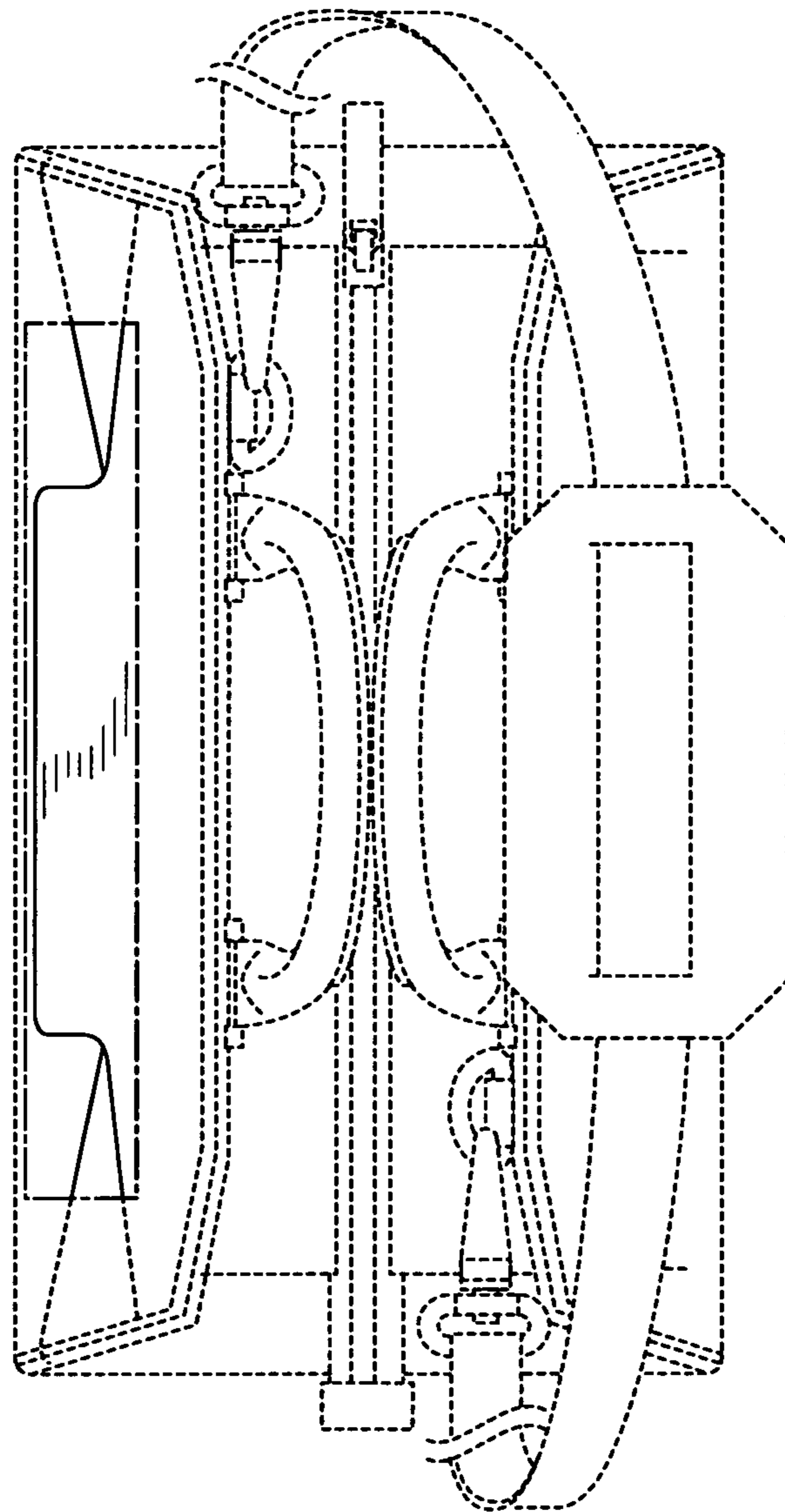


FIG. 13

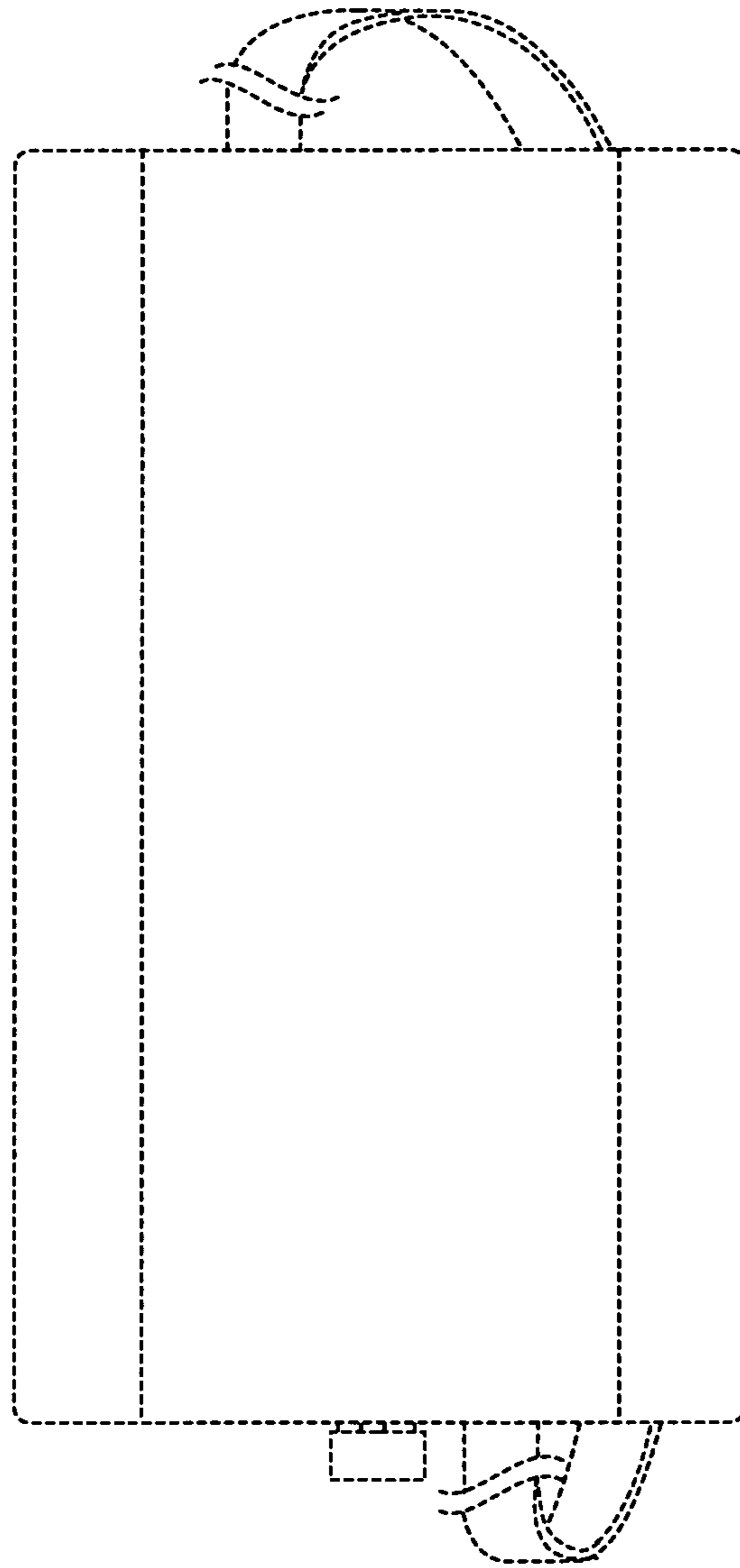


FIG. 14