



US00D691806S

(12) **United States Design Patent**  
**Kuster et al.**

(10) **Patent No.:** **US D691,806 S**

(45) **Date of Patent:** **\*\* Oct. 22, 2013**

(54) **HANDBAG**

(75) Inventors: **Laurence Kuster**, London (GB);  
**Nicolas Baurain**, London (GB); **Simon Holloway**, London (GB)

(73) Assignee: **J. Choo Limited**, London (GB)

(\*\*) Term: **14 Years**

(21) Appl. No.: **29/420,872**

(22) Filed: **May 14, 2012**

(30) **Foreign Application Priority Data**

Nov. 15, 2011 (EM) ..... 001947532-0015

(51) **LOC (9) Cl.** ..... **03-01**

(52) **U.S. Cl.**  
USPC ..... **D3/318**

(58) **Field of Classification Search**  
USPC ..... D3/232-233, 240-246, 318; 150/100,  
150/103-110, 113-114, 117-119  
See application file for complete search history.

(56) **References Cited**

**U.S. PATENT DOCUMENTS**

D523,241 S \* 6/2006 Gonzalez ..... D3/243  
D600,448 S \* 9/2009 Gonzalez ..... D3/318  
D627,159 S \* 11/2010 Gonzalez ..... D3/245  
D643,622 S \* 8/2011 Gerbi ..... D3/243

**OTHER PUBLICATIONS**

Design U.S. Appl. No. 29/420,867, filed May 14, 2012, first named inventor is Laurence Kuster.

Design U.S. Appl. No. 29/426,051, filed Jun. 29, 2012 first named inventor is Laurence Kuster.

J. Choo Limited—Theola Handbag—www.purseblog.com, Jan. 12, 2010.

\* cited by examiner

*Primary Examiner* — Holly Baynham

(74) *Attorney, Agent, or Firm* — Fross Zelnick Lehrman & Zissu, P.C.; Lawrence E. Apolzon, Esq.

(57) **CLAIM**

The ornamental design for a handbag, as shown and described.

**DESCRIPTION**

FIG. 1 is a front perspective view of a handbag showing my new design;

FIG. 2 is a front view of the handbag shown in FIG. 1;

FIG. 3 is a rear view of the handbag shown in FIG. 1;

FIG. 4 is a left side view of the handbag shown in FIG. 1;

FIG. 5 is a right side view of the handbag shown in FIG. 1;

FIG. 6 is a top view of the handbag shown in FIG. 1;

FIG. 7 is a bottom view of the handbag shown in FIG. 1;

FIG. 8 is a front perspective view of an alternative embodiment of the handbag shown in FIG. 1;

FIG. 9 is a front view of the handbag shown in FIG. 8;

FIG. 10 is a rear view of the handbag shown in FIG. 8;

FIG. 11 is a left side view of the handbag shown in FIG. 8;

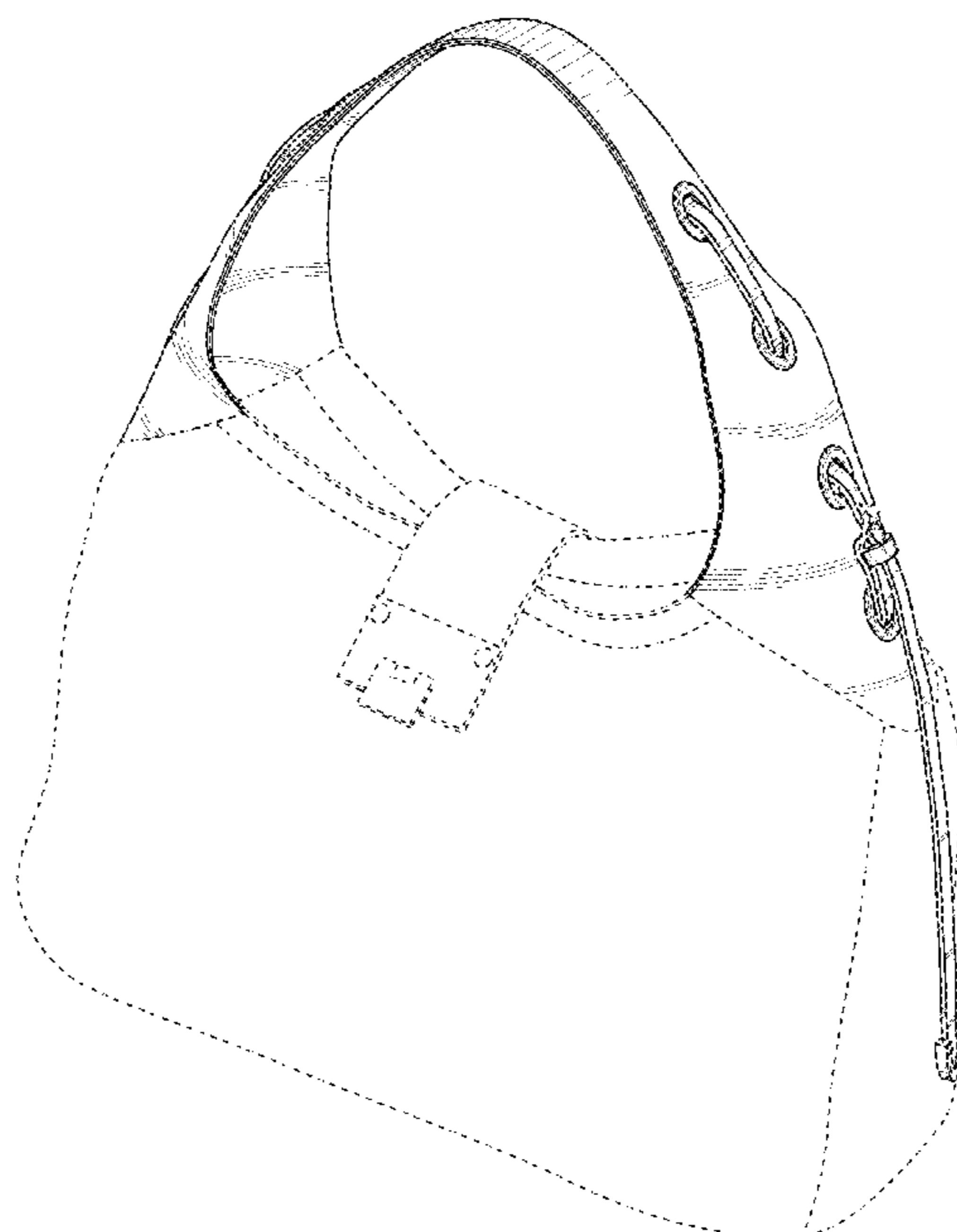
FIG. 12 is a right side view of the handbag shown in FIG. 8;

FIG. 13 is a top view of the handbag shown in FIG. 8; and,

FIG. 14 is a bottom view of the handbag shown in FIG. 8.

The broken line showing of the clasp, buckles, grommets, rivets, portion of the strap and portions of the body of the bag in relevant drawings shows unclaimed subject matter for the design in those drawings.

**1 Claim, 14 Drawing Sheets**



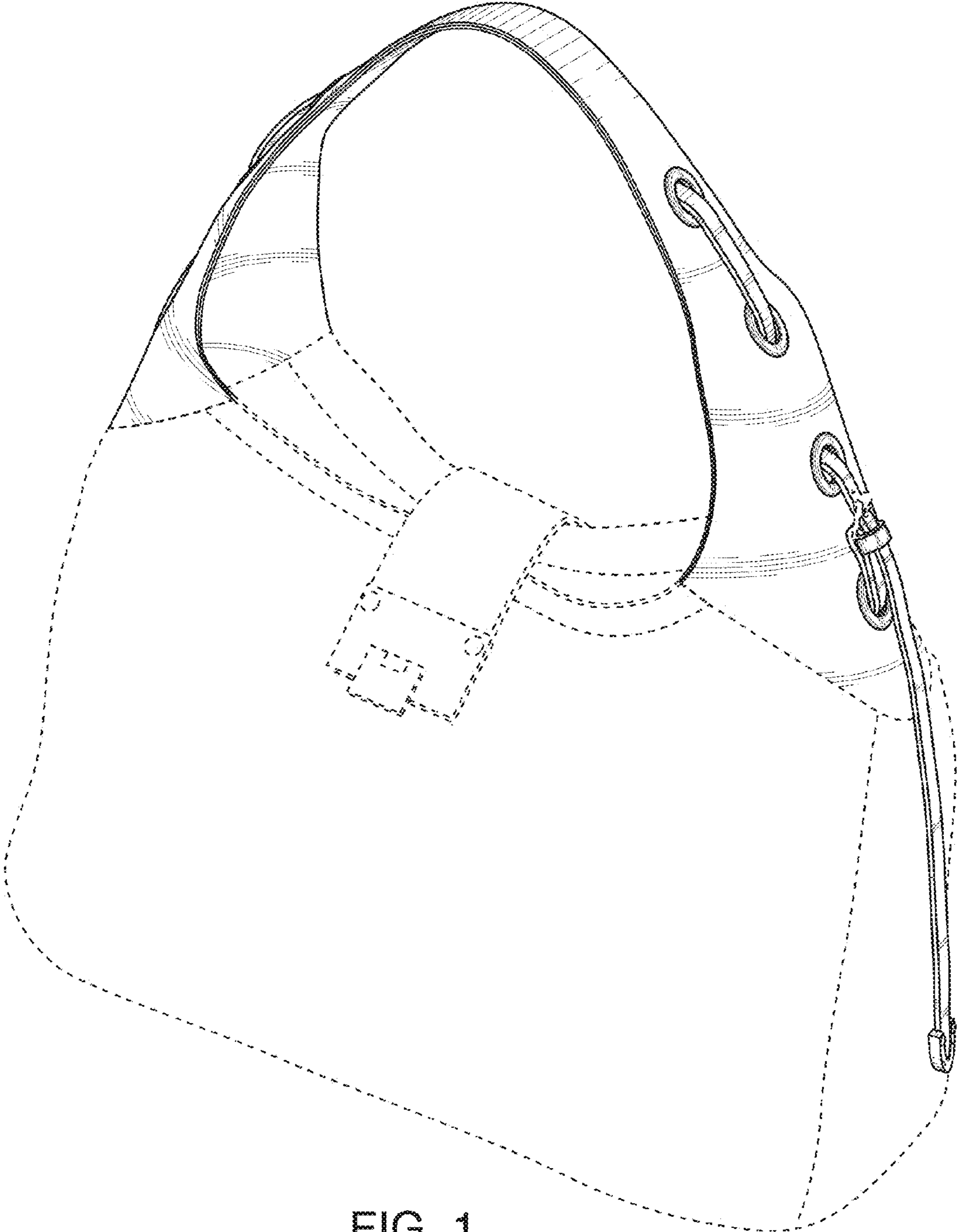


FIG. 1



FIG. 2

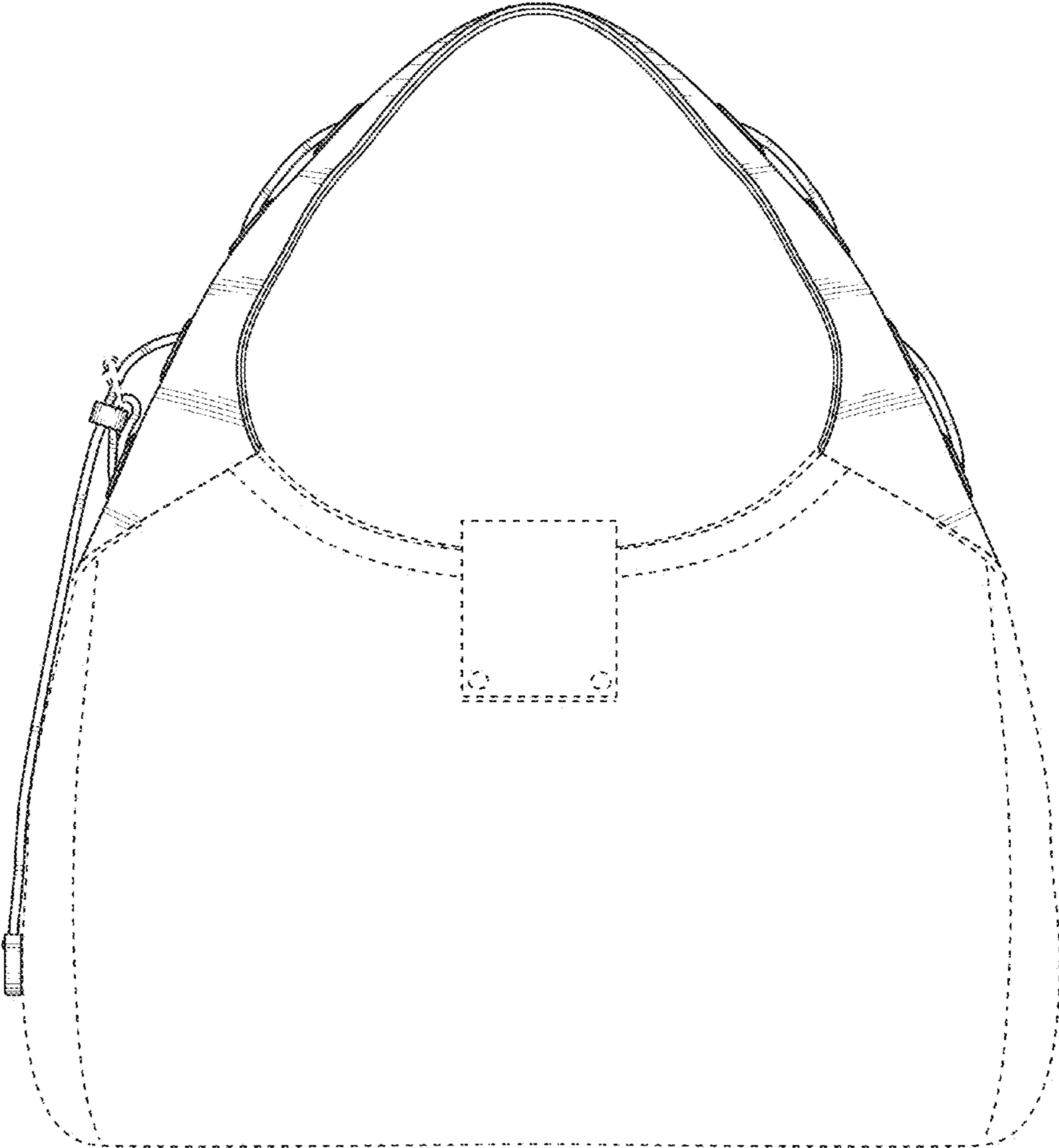


FIG. 3

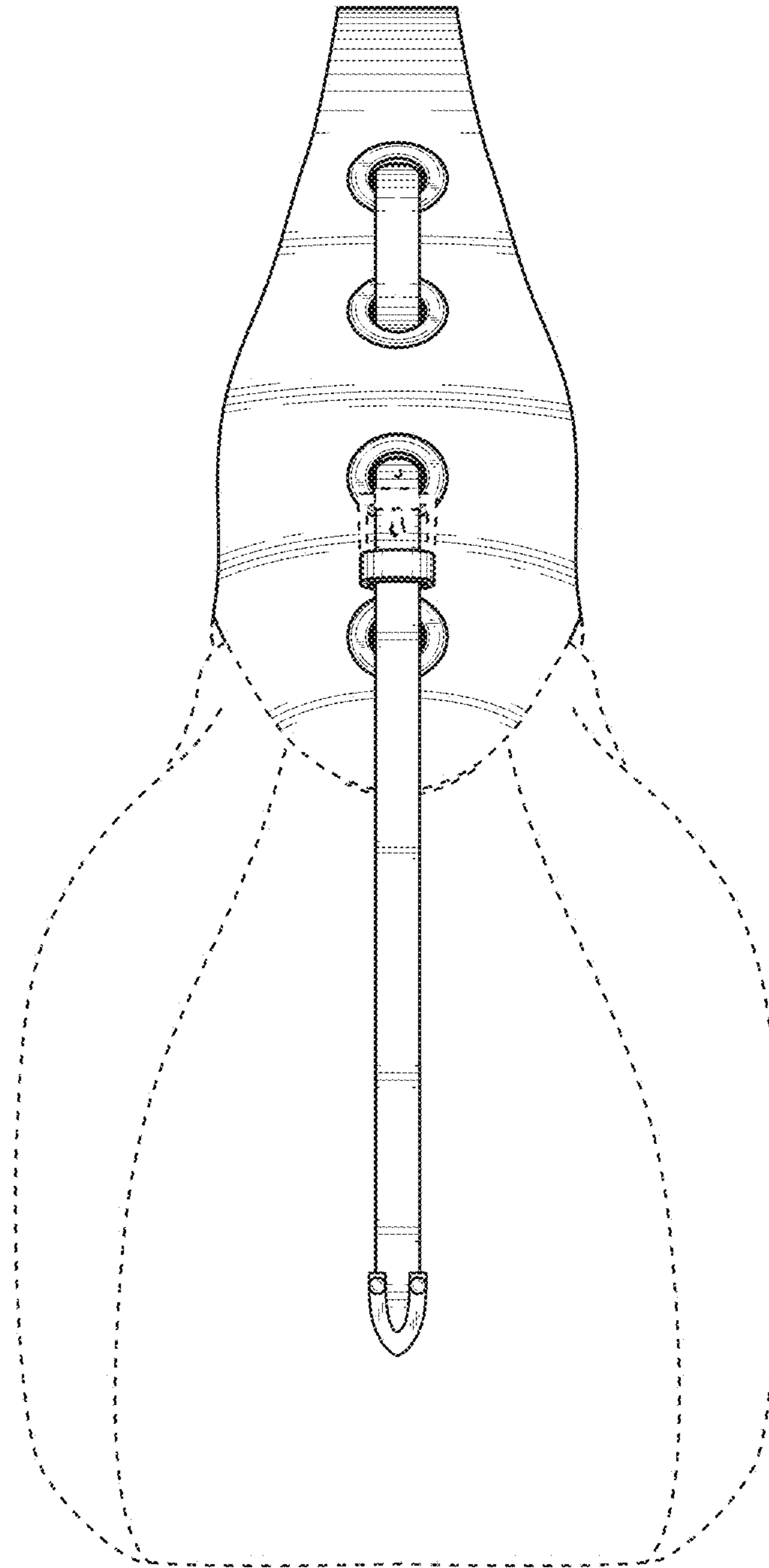


FIG. 4



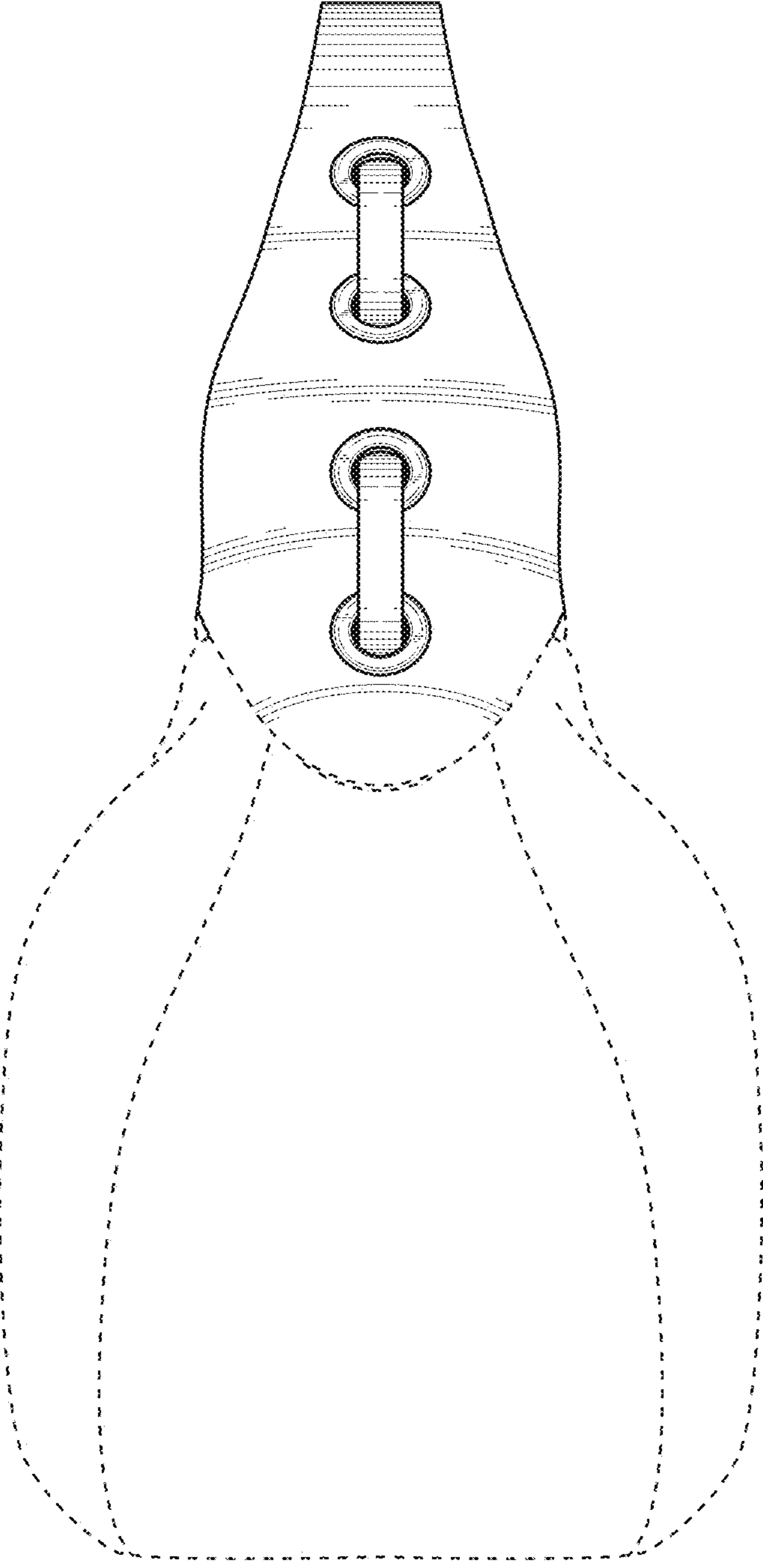


FIG. 5

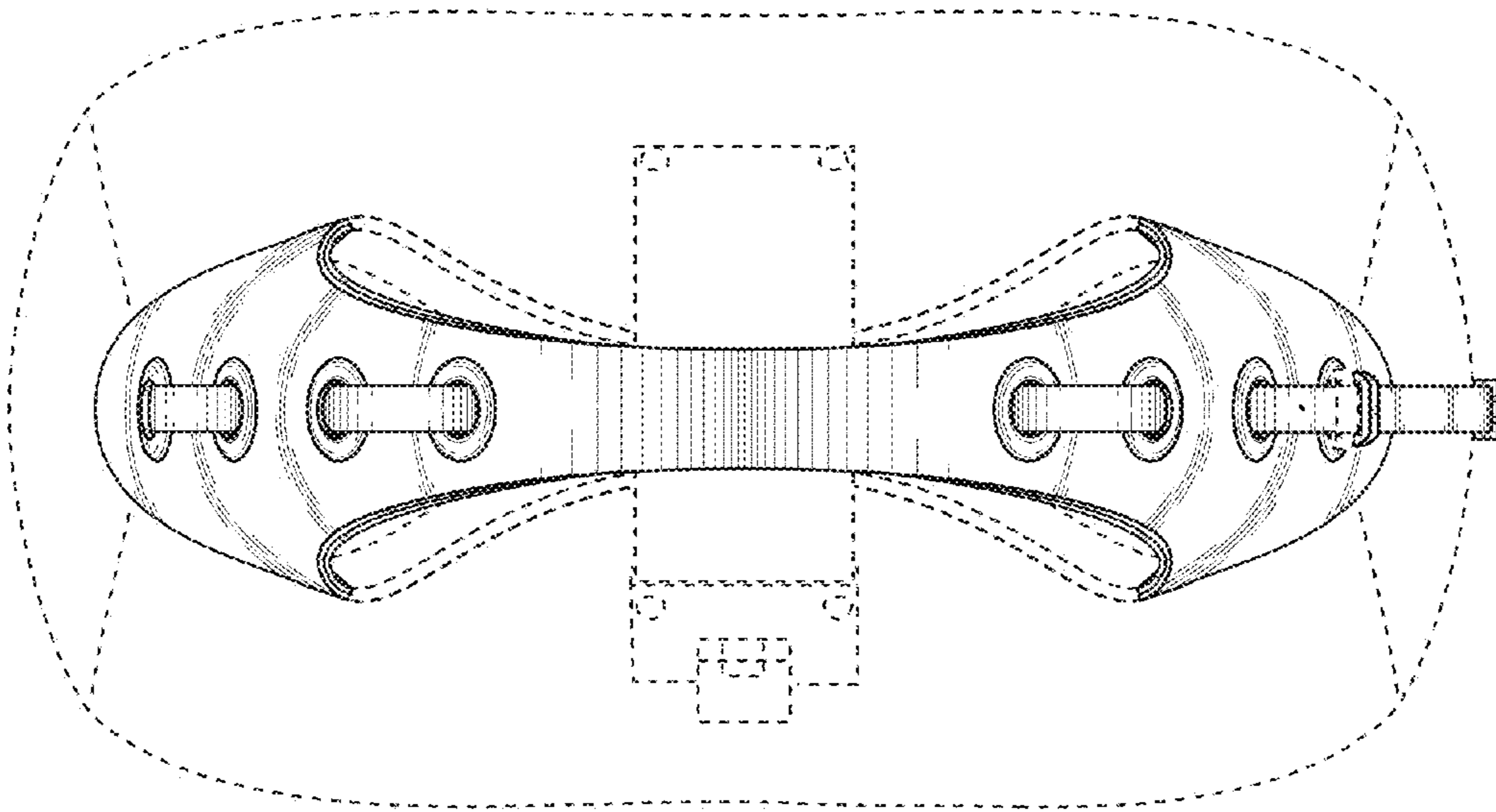


FIG. 6

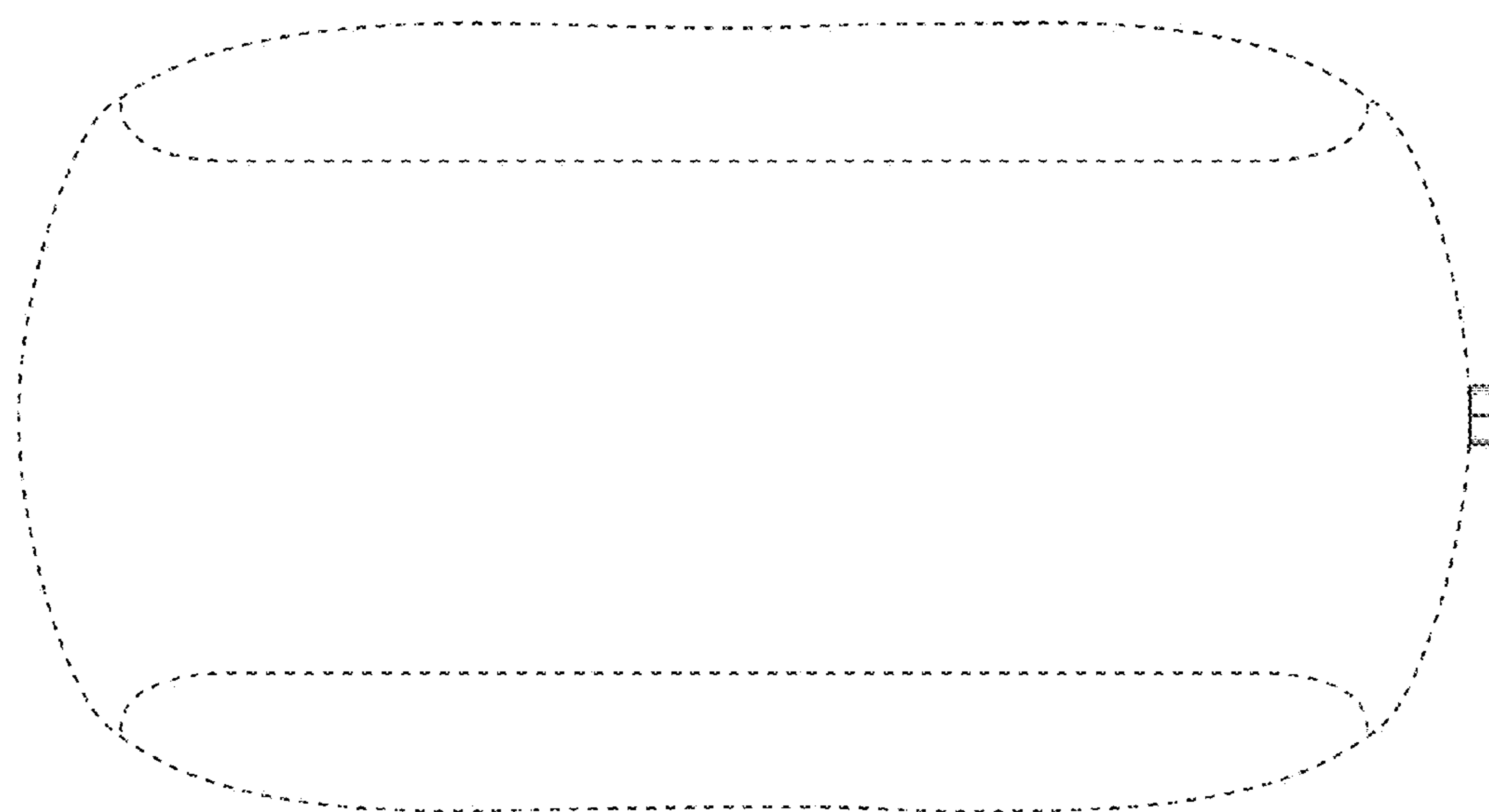


FIG. 7



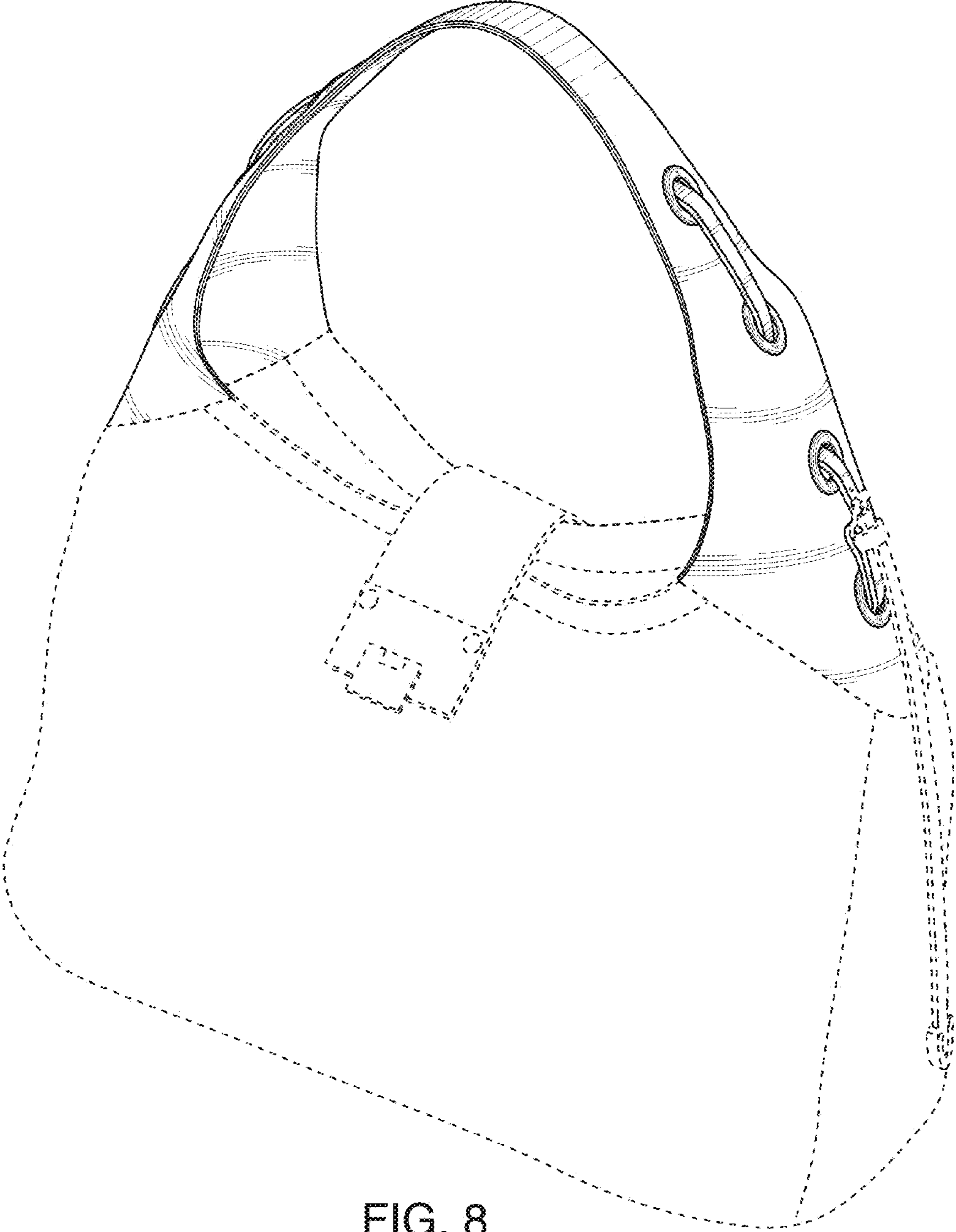


FIG. 8



FIG. 9

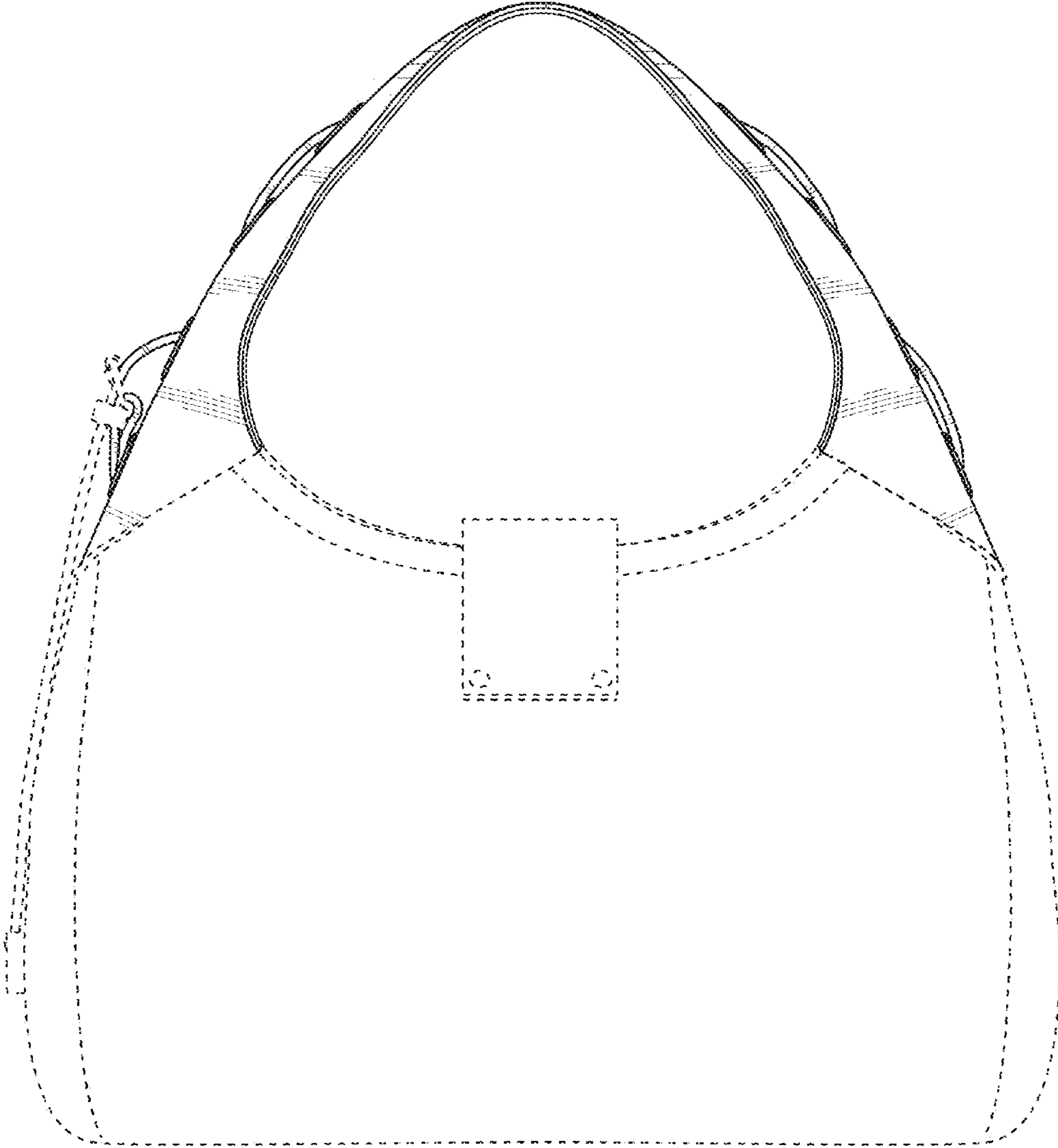


FIG. 10

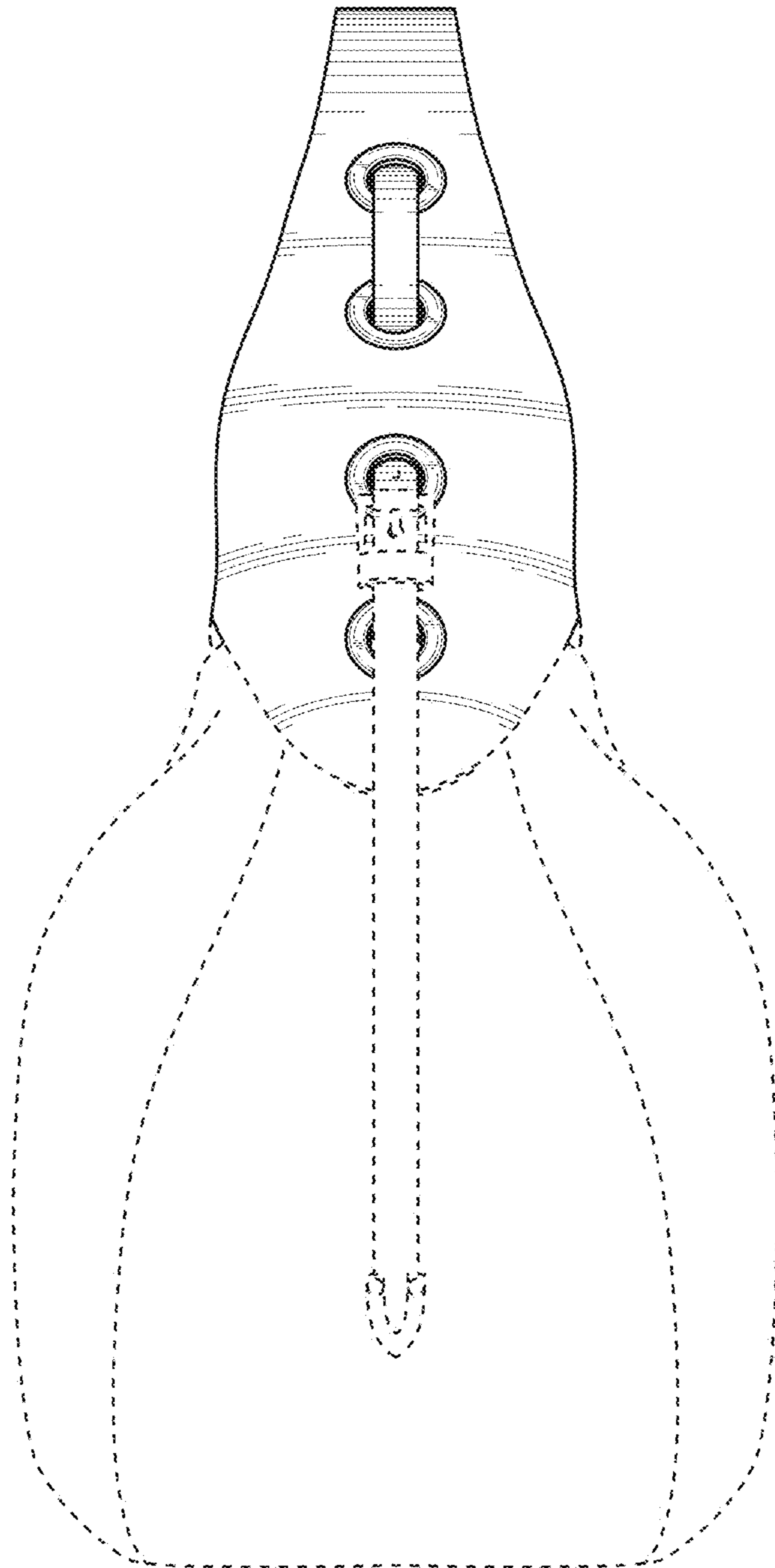


FIG. 11

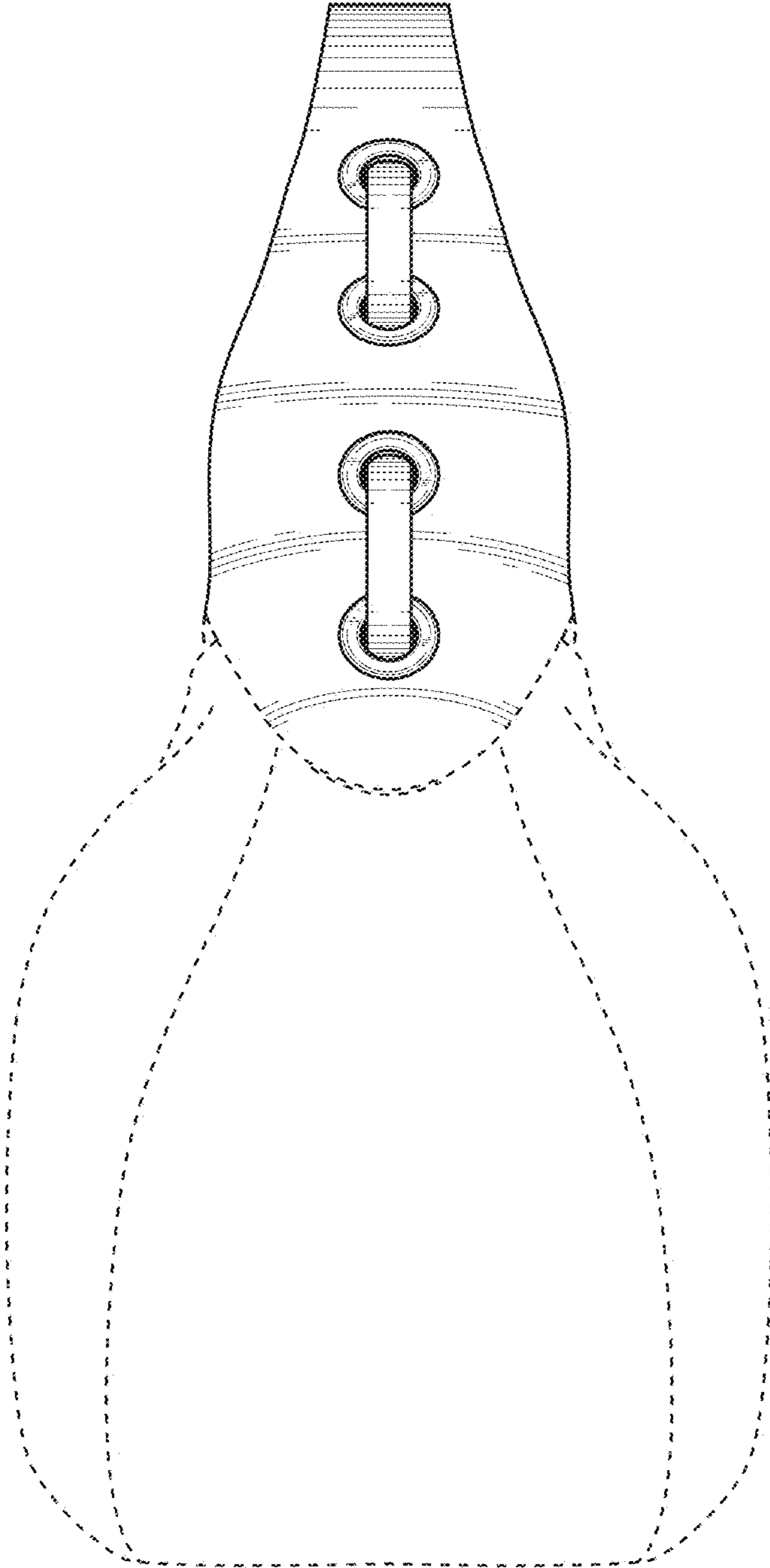


FIG. 12

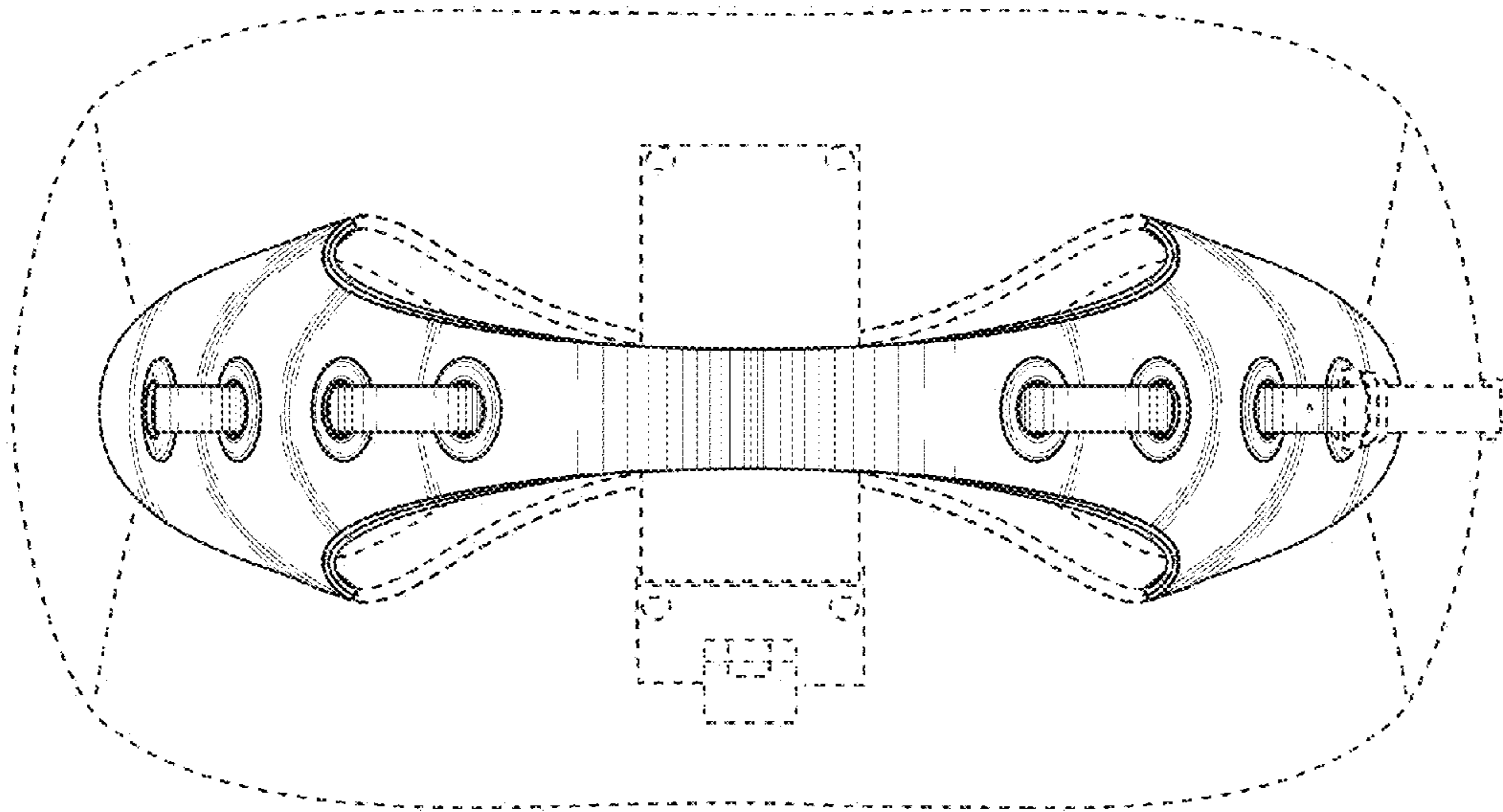


FIG. 13



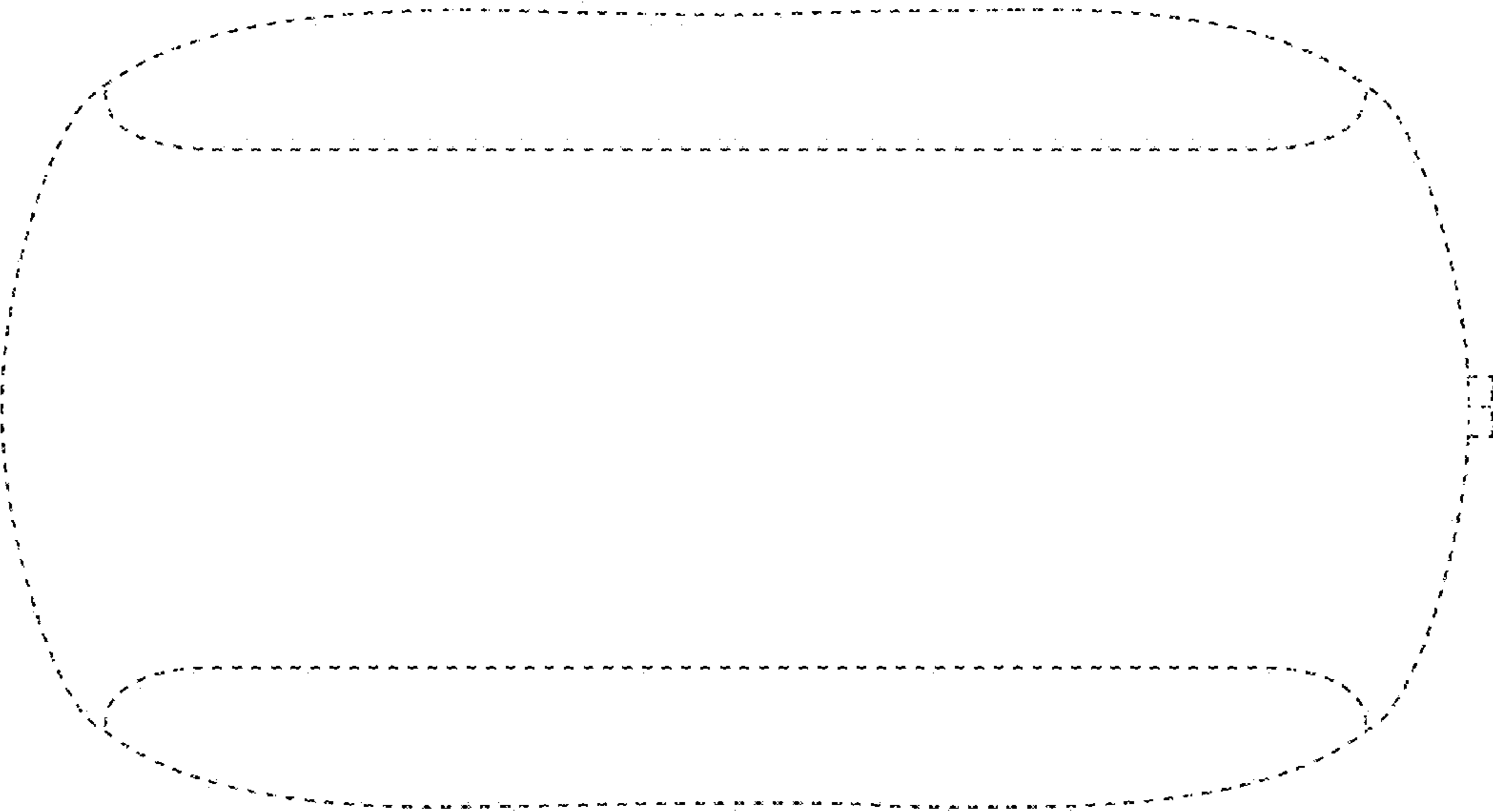


FIG. 14