

US00D691805S

(12) **United States Design Patent**
Chang

(10) **Patent No.:** **US D691,805 S**
(45) **Date of Patent:** **** Oct. 22, 2013**

(54) **PROTECTING CASE FOR PORTABLE ELECTRONIC DEVICE**

(75) Inventor: **Yin-Li Chang**, New Taipei (TW)

(73) Assignee: **Chi Mei Communication Systems, Inc.**, New Taipei (TW)

(**) Term: **14 Years**

(21) Appl. No.: **29/430,872**

(22) Filed: **Aug. 30, 2012**

(51) **LOC (9) Cl.** **03-01**

(52) **U.S. Cl.**
USPC **D3/301**

(58) **Field of Classification Search**
USPC D3/234, 255, 271.9, 320, 256, 262, 279, D3/299, 301, 303, 318, 319, 273, 289, 292, D3/294-296, 232, 244, 228; D9/424, 420; D27/189; 206/349; 220/833; 312/902; 190/100; D14/440; D19/35

See application file for complete search history.

(56) **References Cited**

U.S. PATENT DOCUMENTS

2,175,327	A *	10/1939	Thornhill et al.	150/129
5,445,251	A *	8/1995	Redwood	190/109
D544,922	S *	6/2007	Shaffer	D20/10
D600,699	S *	9/2009	Johnston et al.	D14/440
D607,035	S *	12/2009	Adams et al.	D16/241
D646,892	S *	10/2011	Littleton	D3/299
D650,582	S *	12/2011	Jamtlid	D3/271.1
D658,187	S *	4/2012	Diebel	D14/440
D658,188	S *	4/2012	Diebel	D14/440
D660,592	S *	5/2012	Mecchella	D3/299
D660,833	S *	5/2012	Bau	D14/250
D672,146	S *	12/2012	Fathollahi	D3/299
8,328,008	B2 *	12/2012	Diebel et al.	206/45.24
D674,016	S *	1/2013	Letterle	D19/35

D677,668	S *	3/2013	Phillips et al.	D14/440
D684,366	S *	6/2013	Phillips et al.	D3/301
D685,803	S *	7/2013	Akana et al.	D14/440
2009/0159763	A1 *	6/2009	Kim	248/174

OTHER PUBLICATIONS

Sep. 2009 ,p. 71, model JA-445, The Gift and Giveaways Buyer's Guide from Ttnet Corporation , <http://www.taiwangift.ttnet.net>.

* cited by examiner

Primary Examiner — Sandra Snapp

(74) *Attorney, Agent, or Firm* — Altis & Wispro Law Group, Inc.

(57) **CLAIM**

The ornamental design for an protecting case for portable electronic device, as shown and described.

DESCRIPTION

This application is related to co-pending U.S. patent applications Ser. No. 29/430,873, entitled "Protecting Case for Portable Electronic Device". Such applications have the same assignee as the present application. The above-identified applications are incorporated herein by reference.

FIG. 1 is a perspective view of a protecting case for portable electronic device showing our new design;

FIG. 2 is a front elevational view of the case;

FIG. 3 is a rear elevational view of the case;

FIG. 4 is a left side elevational view of the case;

FIG. 5 is a right side elevational view of the case;

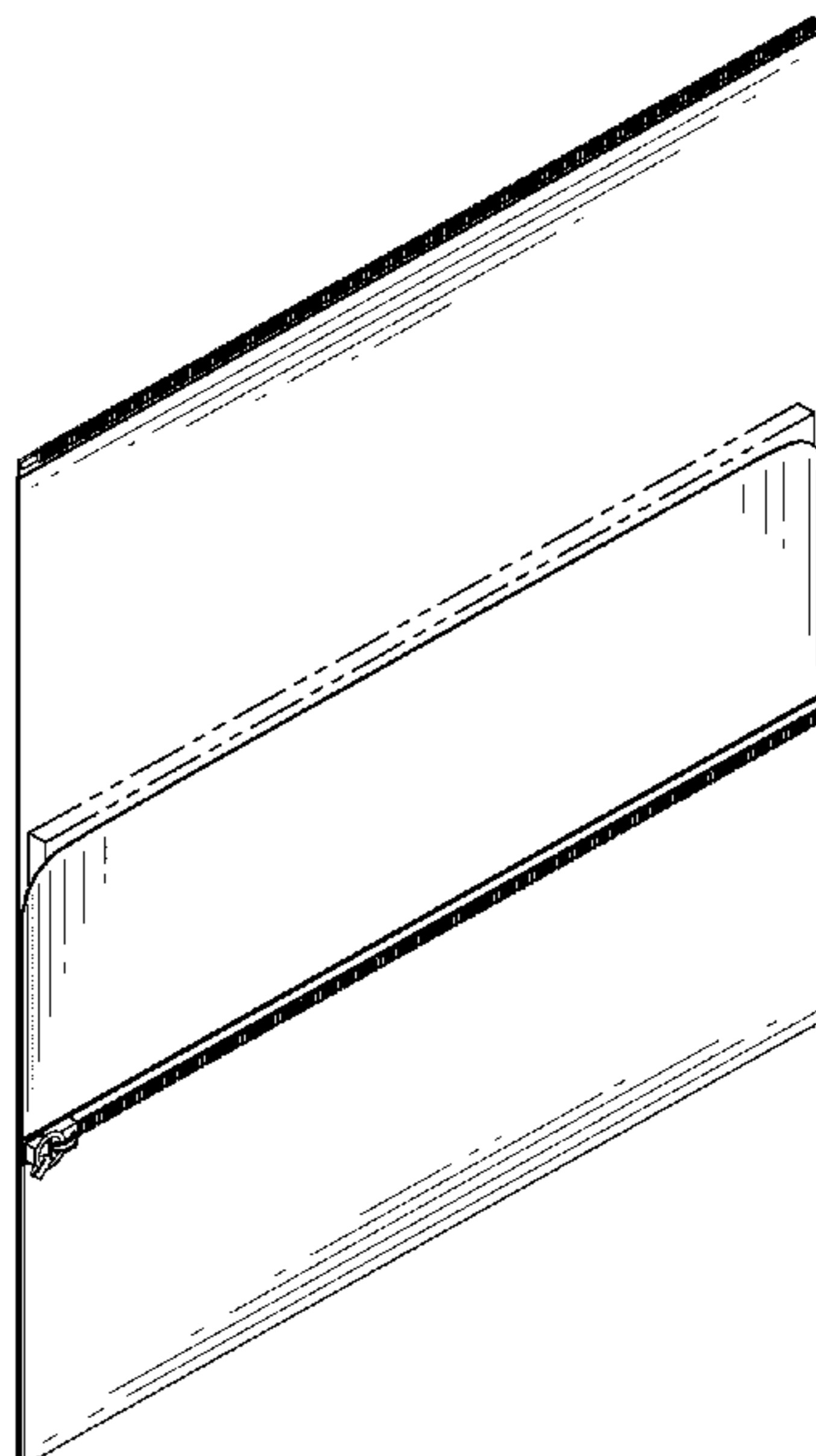
FIG. 6 is a top plan view of the case;

FIG. 7 is a bottom plan view of the case; and,

FIG. 8 is a perspective view of the case with a portable electronic device received in.

The broken lines of all the figures are for the purpose of illustrating environment and form no part of the claimed design.

1 Claim, 8 Drawing Sheets



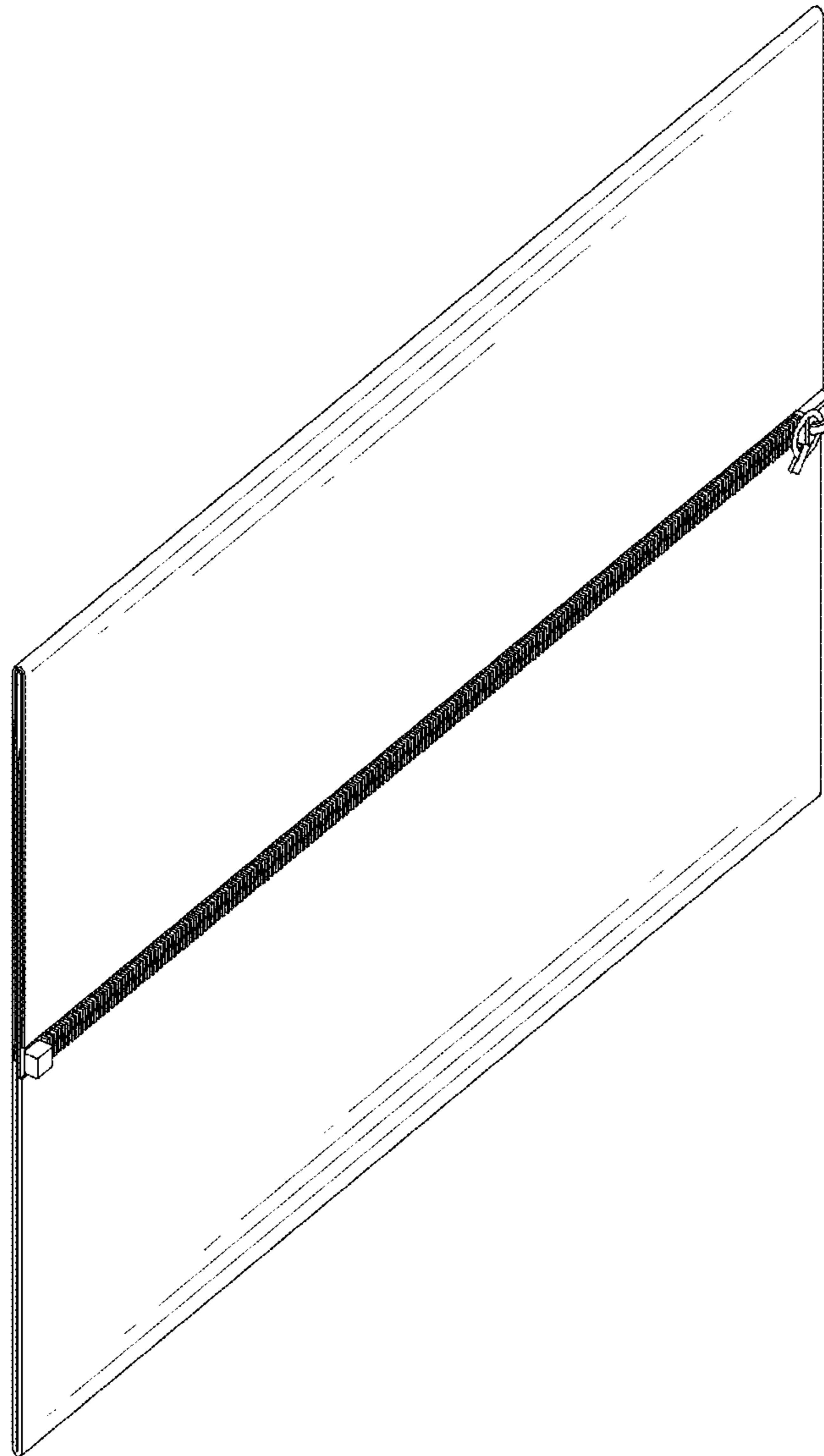


FIG. 1

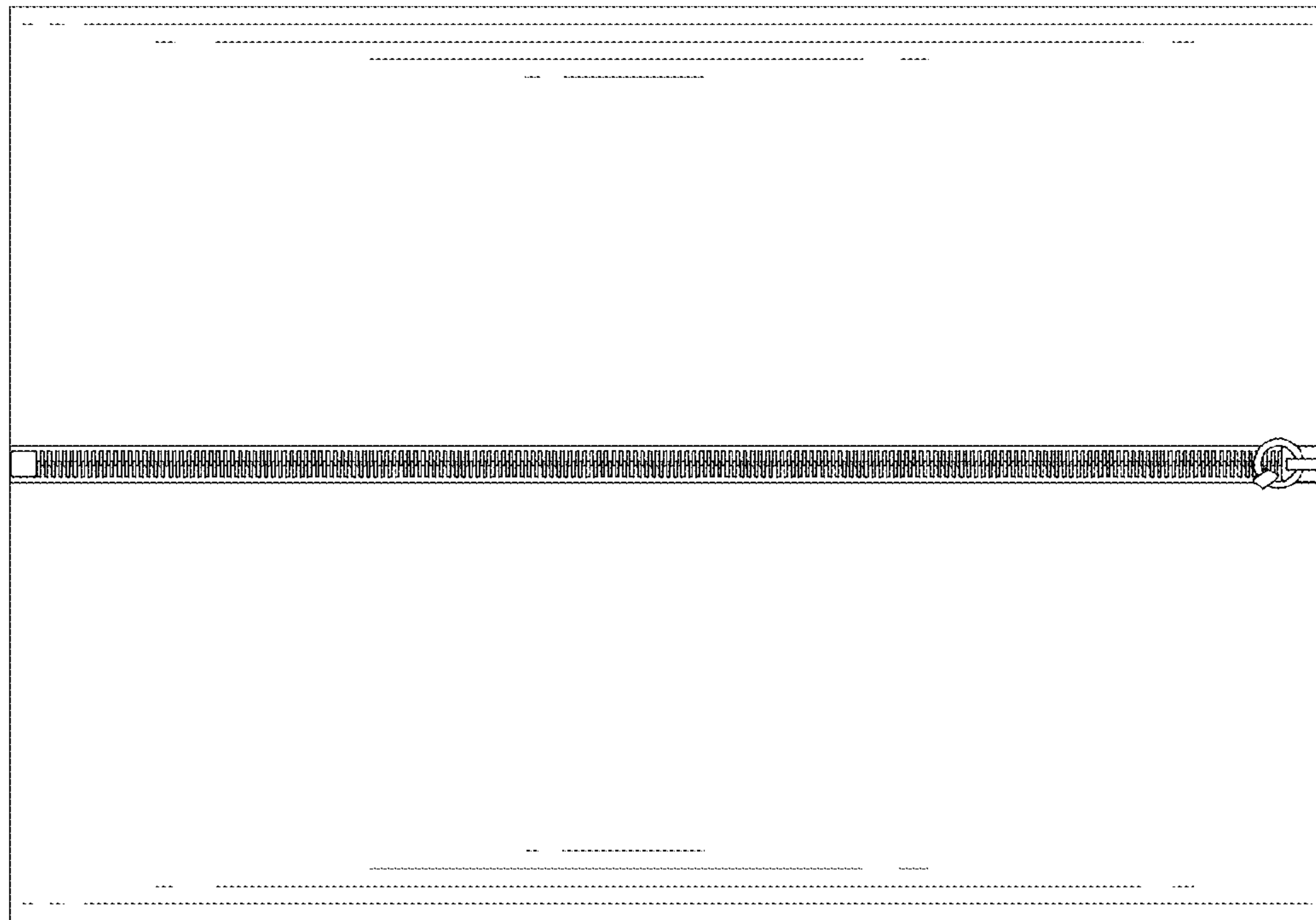


FIG. 2

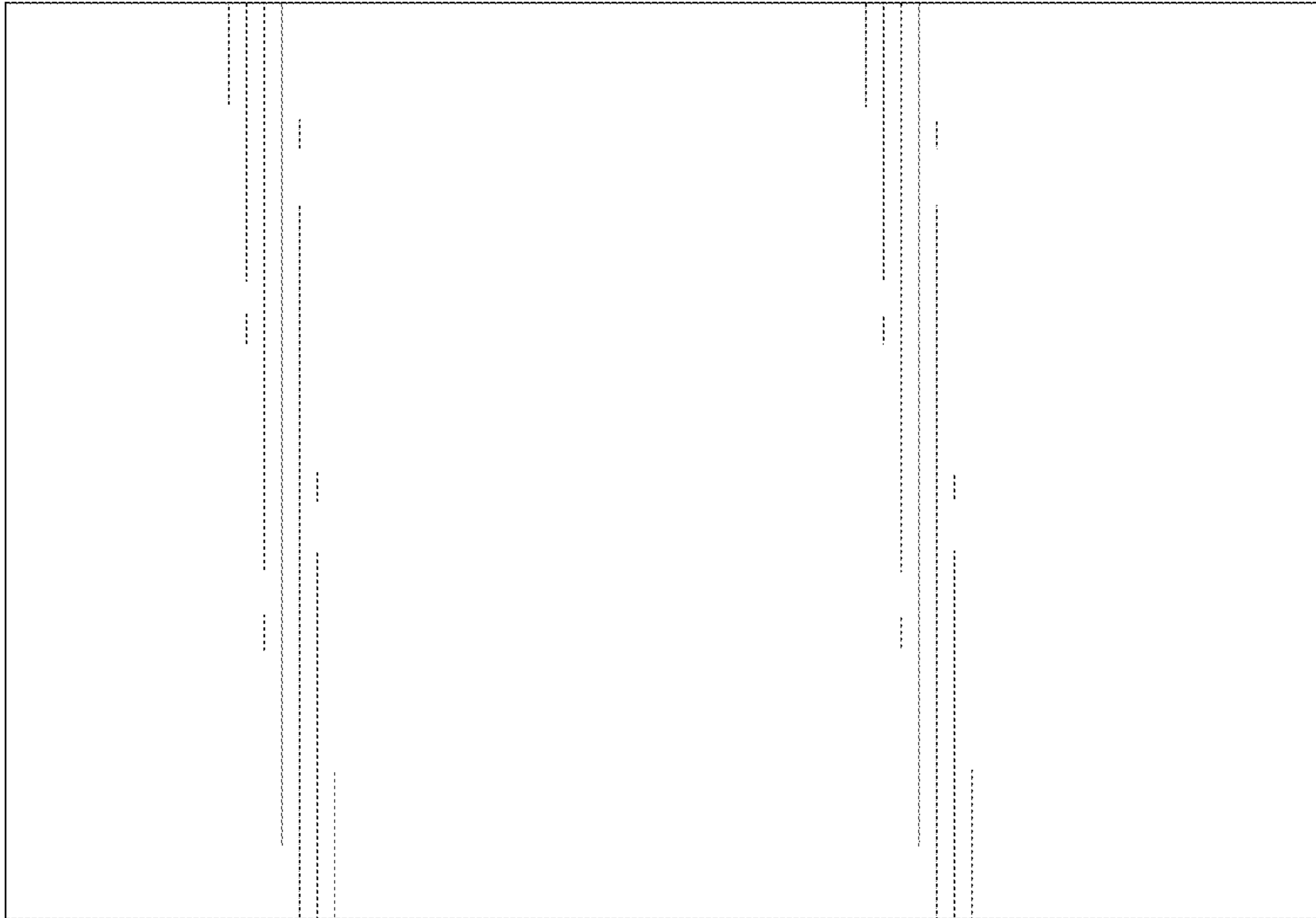


FIG. 3



FIG. 4



FIG. 5

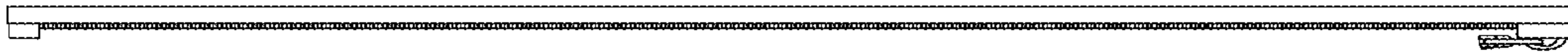


FIG. 6



FIG. 7

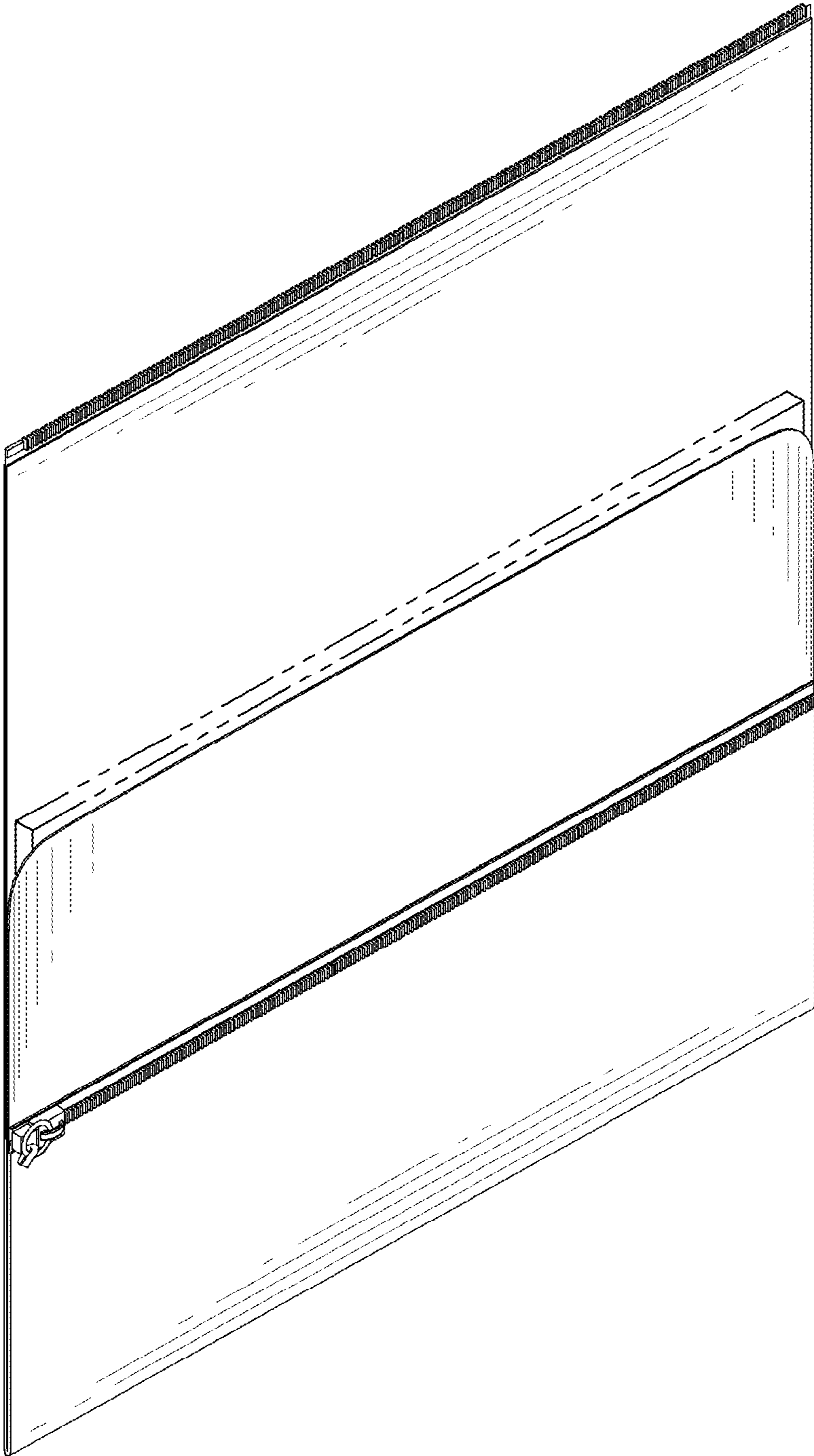


FIG. 8